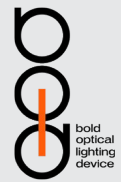


# CHAMELEON S3 SHALLOW WALLWASHER

With Trim Constant Force Spring



## Key Features:

- Up to 780lm delivered output
- High uniformity light distribution Emin./ Emax.= 1/3
- 5 years limited warranty
- Chicago plenum rated
- Minimal glare



## Technical Data:

<b>Body Material</b>	Die-cast	<b>Delivered Lumen Range</b>	370 lm to 780lm
<b>Safety</b>	Chicago Plenum	<b>Output Type</b>	Constant Current
<b>Warranty</b>	5 Years	<b>Driver</b>	Integral
<b>Light Source</b>	COB	<b>Code Compliance</b>	CCEA / CCC / CSA / CE / ETL / JA8
<b>Lifetime</b>	L80/B10 @ 70,000 hours	<b>CCT</b>	2700K / 3000K / 3500K / 4000K / Tunable White / Dim to Warm / RGBW
<b>Power Range</b>	8W to 12W		

## Housing Code :

Code Example: C3HS2L20R9

C3HS2	Power	Voltage	Control	Housing	Emergency
<b>C3HS2</b>	<b>Mono:</b>	<b>2</b>	<b>0</b>	<b>R</b>	<b>N</b>
<b>L</b>	240-220V	Non-Dim	Remodel	No	
8 W - 470 lm	<b>U</b>	<b>1</b>	<b>N</b>	<b>9</b>	
	Universal	0-10 to 1%	Non-IC	90 mins	
<b>M</b>	120 to 277V	<b>2</b>	<b>I</b>		
10 W - 530 lm		0-10 Fade-off	IC		
<b>H</b>		<b>D</b>	<b>A</b>		
12 W - 625 lm		DALI	Airtight		
<b>Dim to Warm:</b>		<b>P</b>	<b>0</b>		
<b>W</b>		Phase ELV & Triac	No Housing		
8 W - 370 lm		<b>L</b>			
		Lutron			
<b>D</b>		<b>X</b>			
12 W - 520 lm		DMX			
<b>Tunable White:</b>					
<b>U</b>					
8 W - 300 lm					
<b>A</b>					
12 W - 450 lm					
<b>RGBW:</b>					
<b>C</b>					
2 W - 145 lm					

## Module Code :

Code Example: C3MS2GLWWDW9270

C3MS2G	Power	Body Finish	Baffles Finish	UL Rating	Optics Type	CRI	CCT	Accessory
<b>C3MS2G</b>	<b>Mono:</b>	<b>W</b>	<b>W</b>	<b>D</b>	<b>W</b>	<b>9</b>	<b>27</b>	<b>O</b>
<b>L</b>	White	Flat White	Dry	Washer	90+	2700K	None	
8 W - 470 lm	<b>B</b>	<b>B</b>	<b>W</b>	<b>H</b>	<b>30</b>			
	Black	Flat Black	Wet	Thrive	3000K			
<b>M</b>	<b>G</b>	<b>N</b>			<b>35</b>			
10 W - 530 lm	Grey	Black Nickel			3500K			
<b>H</b>	<b>X</b>	<b>C</b>			<b>40</b>			
12 W - 625 lm	Custom	Specular Chrome			4000K			
<b>Dim to Warm:</b>		<b>D</b>			<b>TW</b>			
<b>W</b>		Diffuse Chrome			2700K - 6500K			
8 W - 370 lm		<b>G</b>			<b>CC</b>			
		Bright Gold			RGBW			
<b>D</b>		<b>E</b>						
12 W - 520 lm		Diffuse Gold						
<b>Tunable White:</b>								
<b>U</b>								
8 W - 300 lm								
<b>A</b>								
12 W - 450 lm								
<b>RGBW:</b>								
<b>C</b>								
2 W - 145 lm								

Fill in the same power code value for the housing and module.

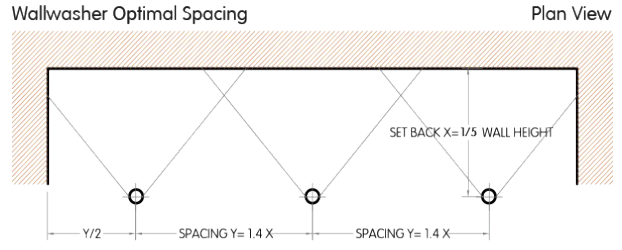
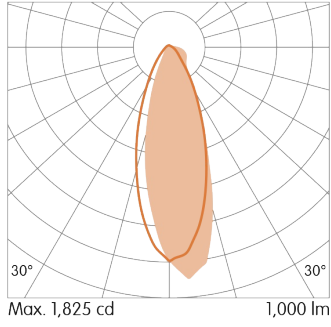
### Notes:

1. Denotes output at 3000K, unless otherwise noted.
2. Denotes output specific to Dim-to-Warm at 3000K.
3. Denotes output specific to Tunable White.
4. Denotes output specific to RGBW.
5. Not applicable for ELV dimming.
6. Hi-Lume, Vive, and Athena compatible.
7. Only available with DMX dimming.
8. Not applicable for integral driver.



Optical Flexibility:

CHAMELEON S3 SHALLOW WALLWASHER



# BEAM DISTRIBUTION



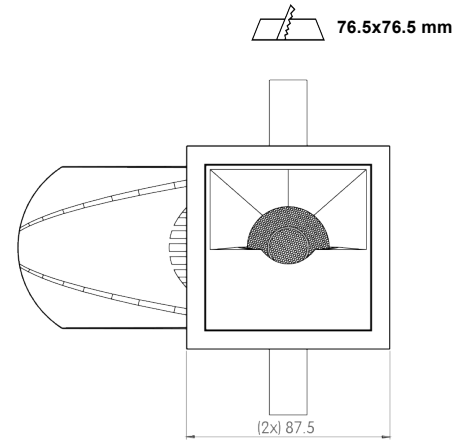
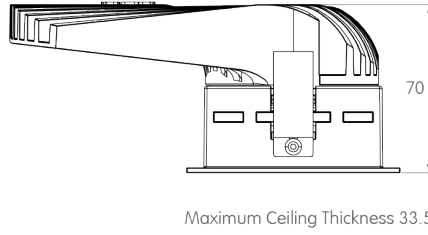
Wallwash

## Delivered Lumen Output:

Output	Watts	CRI +90			
<b>STATIC-WHITE</b>		<b>2700K</b>	<b>3000K</b>	<b>4000K</b>	
<b>L</b>	<b>8W</b>	370 lm	470 lm	490 lm	
<b>M</b>	<b>10W</b>	490 lm	530 lm	680 lm	
<b>H</b>	<b>12W</b>	585 lm	625 lm	780 lm	
<b>DIM-TO-WARM 3000K-3000K</b>		<b>3000K</b>			
<b>W</b>	<b>8W</b>	370 lm			
<b>D</b>	<b>12W</b>	520 lm			
<b>TUNABLE WHITE 2700K-6500K</b>		<b>2700K</b>	<b>6500K</b>		
<b>U</b>	<b>8W</b>	300 lm	340 lm		
<b>A</b>	<b>12W</b>	450 lm	510 lm		
<b>RGBW</b>		<b>R</b>	<b>G</b>	<b>B</b>	<b>W</b>
<b>Total</b>	<b>2W</b>	20 lm	145 lm	25 lm	100 lm

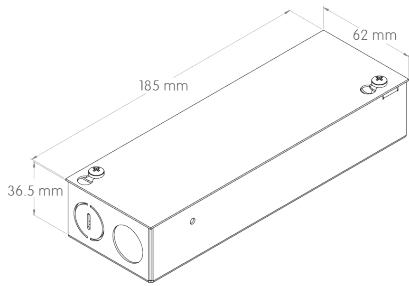
## Mounting Flexibility:

### TRIM CONSTANT FORCE SPRINGS



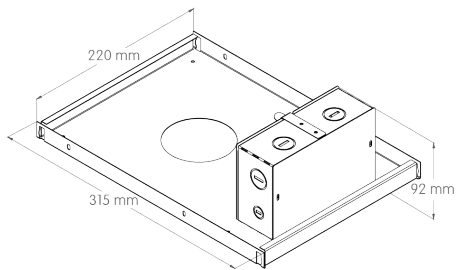
## Housing:

### REMODEL HOUSING



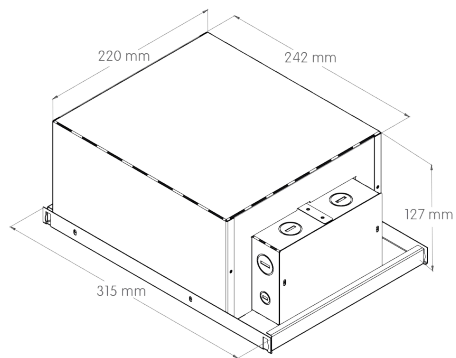
- Ceilings Without Insulation.
- You Want Higher Wattage Fixtures.
- When There's At Least 76.5mm Clearance Around Fixture.

### NON-IC HOUSING



- Ceilings Without Insulation.
- You Want Higher Wattage Fixtures.
- When There's At Least 76.5mm Clearance Around Fixture.

### IC HOUSING & AIRTIGHT



- If There Is Insulation in the Ceiling.
- In Residential Ceilings or Attics.
- In Energy-Efficient or Sealed Homes.

