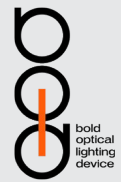


# CHAMELEON S3 SHALLOW WALLWASHER

With Trim Constant Force Spring



## Key Features:

- Up to 780lm delivered output
- High uniformity light distribution Emin./ Emax.= 1/3
- 5 years limited warranty
- Chicago plenum rated
- Minimal glare



## Technical Data:

<b>Body Material</b>	Die-cast	<b>Delivered Lumen Range</b>	370 lm to 780lm
<b>Safety</b>	Chicago Plenum	<b>Output Type</b>	Constant Current
<b>Warranty</b>	5 Years	<b>Driver</b>	Integral
<b>Light Source</b>	COB	<b>Code Compliance</b>	CCEA / CCC / CSA / CE / ETL / JA8
<b>Lifetime</b>	L80/B10 @ 70,000 hours	<b>CCT</b>	2700K / 3000K / 3500K / 4000K / Tunable White / Dim to Warm / RGBW
<b>Power Range</b>	8W to 12W		

## Housing Code :

Code Example: C3HS2LU0R9

C3HS2	Power	Voltage	Control	Housing	Emergency
<b>C3HS2</b>	<b>Mono:</b>	<b>1</b>	<b>0</b>	<b>R</b>	<b>N</b>
<b>L</b>	8 W - 470 lm	120V	Non-Dim	Remodel	No
<b>U</b>	10 W - 530 lm	Universal 120 to 277V	0-10 to 1%	Non-IC	90 mins
<b>M</b>	12 W - 625 lm		0-10 Fade-off	IC	
<b>H</b>	<b>Dim to Warm:</b>		DALI	Airtight	
<b>W</b>	8 W - 370 lm		Phase ELV & Triac	<b>0</b>	No Housing
<b>D</b>	12 W - 520 lm		Lutron		
<b>Tunable White:</b>			DMX		
<b>U</b>	8 W - 300 lm				
<b>A</b>	12 W - 450 lm				
<b>RGBW:</b>					
<b>C</b>	2 W - 145 lm				

## Module Code :

Code Example: C3MS2GLWWDW927O

C3MS2G	Power	Body Finish	Baffles Finish	UL Rating	Optics Type	CRI	CCT	Accessory
<b>C3MS2G</b>	<b>Mono:</b>	<b>W</b>	<b>W</b>	<b>D</b>	<b>W</b>	<b>9</b>	<b>27</b>	<b>O</b>
<b>L</b>	8 W - 470 lm	White	Flat White	Dry	Washer	90+	2700K	None
<b>B</b>	10 W - 530 lm	Black	Flat Black	Wet		Thrive	3000K	
<b>M</b>	12 W - 625 lm	Grey	Black Nickel				3500K	
<b>H</b>	<b>Dim to Warm:</b>	<b>X</b>	<b>C</b>				4000K	
<b>W</b>	8 W - 370 lm	Custom	Specular Chrome				6500K	
<b>D</b>	12 W - 520 lm		Diffuse Chrome				RGBW	
<b>Tunable White:</b>			Bright Gold					
<b>U</b>	8 W - 300 lm		Diffuse Gold					
<b>A</b>	12 W - 450 lm							
<b>RGBW:</b>								
<b>C</b>	2 W - 145 lm							

Fill in the same power code value for the housing and module.

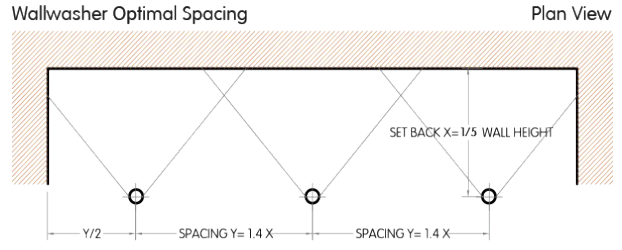
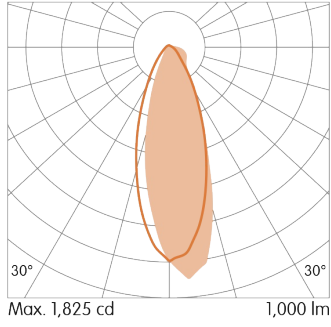
### Notes:

1. Denotes output at 3000K, unless otherwise noted.
2. Denotes output specific to Dim-to-Warm at 3000K.
3. Denotes output specific to Tunable White.
4. Denotes output specific to RGBW.
5. Not applicable for ELV dimming.
6. Hi-Lume, Vive, and Athena compatible.
7. Only available with DMX dimming.
8. Not applicable for integral driver.



Optical Flexibility:

CHAMELEON S3 SHALLOW WALLWASHER



# BEAM DISTRIBUTION



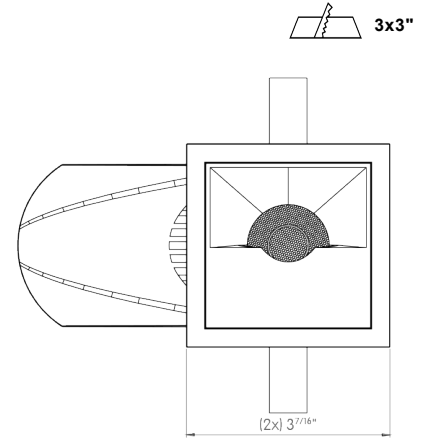
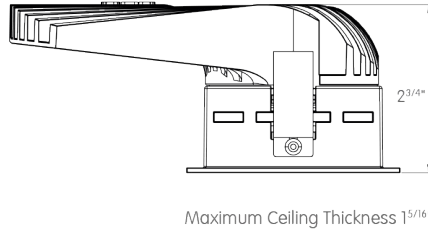
Wallwash

## Delivered Lumen Output:

Output	Watts	CRI +90			
<b>STATIC-WHITE</b>		<b>2700K</b>	<b>3000K</b>	<b>4000K</b>	
<b>L</b>	<b>8W</b>	370 lm	470 lm	490 lm	
<b>M</b>	<b>10W</b>	490 lm	530 lm	680 lm	
<b>H</b>	<b>12W</b>	585 lm	625 lm	780 lm	
<b>DIM-TO-WARM 3000K-3000K</b>		<b>3000K</b>			
<b>W</b>	<b>8W</b>	370 lm			
<b>D</b>	<b>12W</b>	520 lm			
<b>TUNABLE WHITE 2700K-6500K</b>		<b>2700K</b>	<b>6500K</b>		
<b>U</b>	<b>8W</b>	300 lm	340 lm		
<b>A</b>	<b>12W</b>	450 lm	510 lm		
<b>RGBW</b>		<b>R</b>	<b>G</b>	<b>B</b>	<b>W</b>
<b>Total</b>	<b>2W</b>	20 lm	145 lm	25 lm	100 lm

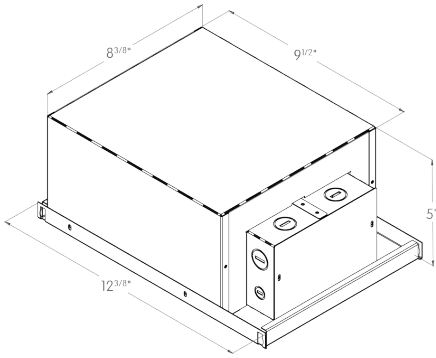
## Mounting Flexibility:

### TRIM CONSTANT FORCE SPRINGS



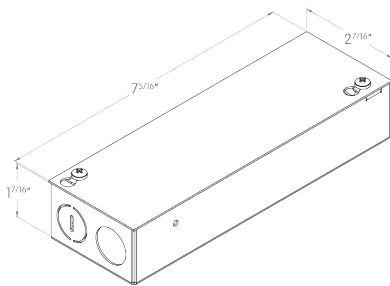
## Housing:

### IC HOUSING & AIRTIGHT



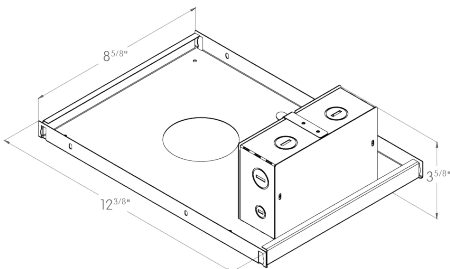
- If There Is Insulation in the Ceiling.
- In Residential Ceilings or Attics.
- In Energy-Efficient or Sealed Homes.

### REMODEL HOUSING



- Ceilings Without Insulation.
- You Want Higher Wattage Fixtures.
- When There's At Least 3 Inches Clearance Around Fixture.

### NON-IC HOUSING



- Ceilings Without Insulation.
- You Want Higher Wattage Fixtures.
- When There's At Least 3 Inches Clearance Around Fixture.

