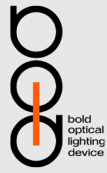


CHAMELEON R3 ADJUSTABLE ZOOMABLE

With Trim Constant Force Spring



Key Features:

- Up to 540lm delivered output
- Gear driven tilt 0° to 30° and 360° lockable rotation
- Various beams available upon request of vertical plane
- 5 years limited warranty
- Chicago plenum rated
- Zoomable Lens from 15° to 50°



Technical Data:

Body Material	Die-cast	Delivered Lumen Range	255 lm to 540lm
Safety	Chicago Plenum	Output Type	Constant Current
Warranty	5 Years	Driver	Integral
Light Source	COB	Code Compliance	CCEA / CCC / CSA / CE / ETL / JA8
Lifetime	L80/B10 @ 70,000 hours	CCT	2700K / 3000K / 3500K / 4000K / Tunable White / Dim to Warm
Power Range	8W to 12W		

Housing Code :

Code Example: C3HR2LU0R9

C3HR2	<input type="checkbox"/>	<input type="checkbox"/>	<input type="checkbox"/>	<input type="checkbox"/>	<input type="checkbox"/>
Type	Power	Voltage	Control	Housing	Emergency
C3HR2	Mono:	1	0	R	N
	L	120V	Non-Dim	Remodel	No
	U	Universal	0-10 to 1%	Non-IC	90 mins
	M	120 to 277V	0-10 Fade-off	IC	
	H		0-10 Fade-off	IC	
	D		DALI	Airtight	
	P		Phase ELV & Triac	No Housing	
	L		Lutron		
	X		DMX		
	U				
	4.5 W - 190 lm				

Module Code :

Code Example: C3MR2ZLWWDZ927MT

C3MR2Z	<input type="checkbox"/>	<input type="checkbox"/>	<input type="checkbox"/>	<input type="checkbox"/>	<input type="checkbox"/>	<input type="checkbox"/>	<input type="checkbox"/>	<input type="checkbox"/>	<input type="checkbox"/>	<input type="checkbox"/>
Type	Power	Body Finish	Baffles Finish	UL Rating	Optics Type	CRI	CCT	Accessory	Accessory (secondary)	
C3MR2Z	Mono:	W	W	D	Z	9	27	O	N	
	L	White	Flat White	Dry	15°-50°	90+	2700K	None	None	
	U	Black	Flat Black	Wet		Thrive	3000K	Clear Lens	Clear Lens	
	M	Grey	Black Nickel				3500K	Diffuse Lens	Diffuse Lens	
	H	Custom	Diffuse Chrome				4000K	Elliptical Lens	Solite Lens	
	X		Custom				2200K - 6600K	Honeycomb Lens		
	W						3000K - 1800K	Solite Lens		
	U							Mixing		
	4.5 W - 190 lm									

Fill in the same power code value for the housing and module.

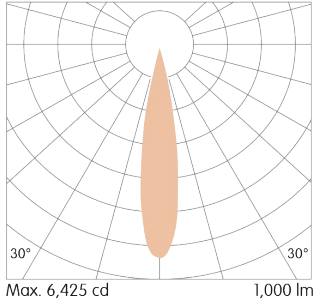
- Notes:**
1. Denotes output at 3000K, unless otherwise noted.
 2. Denotes output specific to Dim-to-Warm at 3000K.
 3. Denotes output specific to Tunable White.
 4. Denotes output specific to RGBW.
 5. Not applicable for ELV dimming.
 6. Hi-lume, Vive, and Athena compatible.
 7. Only available with DMX dimming.
 8. Not applicable for integral driver.



Optical Flexibility:

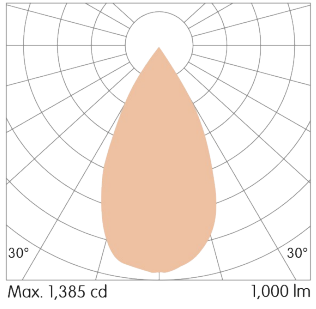
CHAMELEON R3 ZOOMABLE DISTRIBUTION 15°

Zoomable Distribution 15°

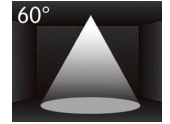
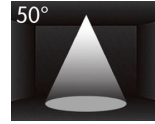
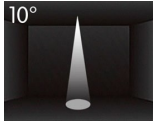


CHAMELEON R3 ZOOMABLE DISTRIBUTION 50°

Zoomable Distribution 50°



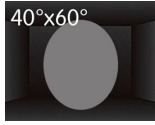
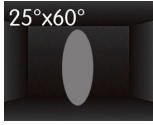
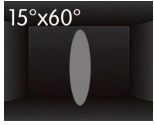
BEAM DISTRIBUTION AND COMBINATION



10°+ Diffuse lens

25°+ Diffuse lens

50°+ Diffuse lens



10°+ Elliptical spread lens (10x60)

25°+ Elliptical spread lens (10x60)

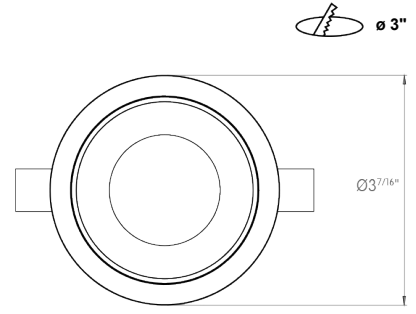
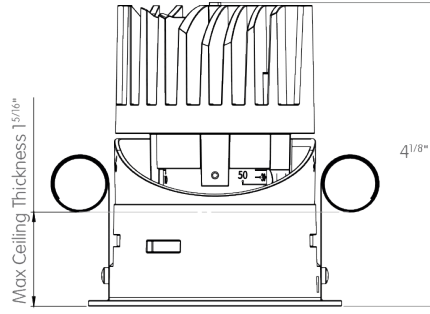
35°+ Elliptical spread lens (10x60)

Delivered Lumen Output:

Output		Watts			CRI +90		
STATIC-WHITE			2700K	3000K	4000K		
L	8W	255 lm	275 lm	340 lm			
M	10W	340 lm	365 lm	470 lm			
H	12W	405 lm	430 lm	540 lm			
DIM-TO-WARM 3000K-3000K			3000K				
W	10W		490 lm				
TUNABLE WHITE 2700K-6500K			2700K		6500K		
U	4.5W	190 lm			240 lm		

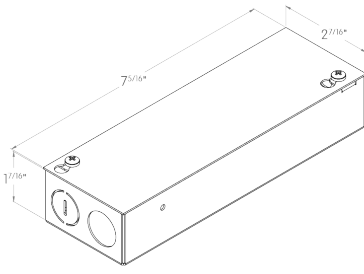
Mounting Flexibility:

TRIM CONSTANT FORCE SPRINGS



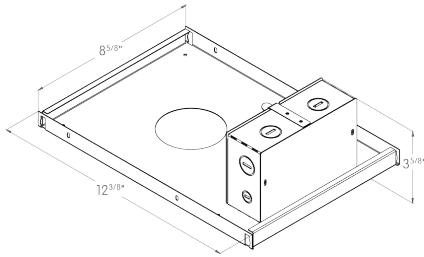
Housing:

REMODEL HOUSING



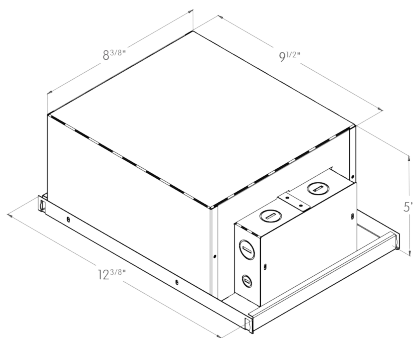
- Ceilings Without Insulation.
- You Want Higher Wattage Fixtures.
- When There's At Least 3 Inches Clearance Around Fixture.

NON-IC HOUSING



- Ceilings Without Insulation.
- You Want Higher Wattage Fixtures.
- When There's At Least 3 Inches Clearance Around Fixture.

IC HOUSING & AIRTIGHT



- If There Is Insulation in the Ceiling.
- In Residential Ceilings or Attics.
- In Energy-Efficient or Sealed Homes.