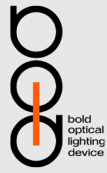


# CHAMELEON S4 ADJUSTABLE ZOOMABLE

With Trim Constant Force Spring



## Key Features:

- Up to 1025lm delivered output
- Gear driven tilt 0° to 30° and 360° lockable rotation
- Various beams available upon request of vertical plane
- 5 years limited warranty
- Chicago plenum rated
- Zoomable Lens from 15° to 50°



## Technical Data:

<b>Body Material</b>	Die-cast	<b>Delivered Lumen Range</b>	505 lm to 1025 lm
<b>Safety</b>	Chicago Plenum	<b>Output Type</b>	Constant Current
<b>Warranty</b>	5 Years	<b>Driver</b>	Integral
<b>Light Source</b>	COB	<b>Code Compliance</b>	CCEA / CCC / CSA / CE / ETL / JA8
<b>Lifetime</b>	L80/B10 @ 70,000 hours	<b>CCT</b>	2700K / 3000K / 3500K / 4000K / Tunable White / Dim to Warm / RGBW
<b>Power Range</b>	10W to 22W		

## Housing Code :

Code Example: C4HS2LU0R9

<b>C4HS2</b>	<input type="checkbox"/>	<input type="checkbox"/>	<input type="checkbox"/>	<input type="checkbox"/>	<input type="checkbox"/>
Type	Power	Voltage	Control	Housing	Emergency
<b>C4HS2</b>	<b>Mono:</b>	<b>1</b>	<b>0</b>	<b>R</b>	<b>N</b>
	<b>L</b>	120V	Non-Dim	Remodel	No
	10 W - 530 lm	<b>U</b>	<b>1</b>	<b>N</b>	<b>9</b>
		Universal 120 to 277V	0-10 to 1%	Non-IC	90 mins
	<b>M</b>		<b>2</b>	<b>I</b>	
	12 W - 735 lm		0-10 Fade-off	IC	
	<b>H</b>		<b>D</b>	<b>A</b>	
	18 W - 990 lm		DALI	Airtight	
	<b>Dim to Warm:</b>		<b>P</b>	<b>0</b>	No Housing
	<b>W</b>		Phase ELV & Triac		
	10 W - 610 lm		<b>L</b>		
	<b>D</b>		Lutron		
	18 W - 1190 lm		<b>X</b>		
	<b>Tunable White:</b>		DMX		
	<b>U</b>				
	10 W - 540 lm				
	<b>A</b>				
	18 W - 740 lm				
	<b>RGBW:</b>				
	<b>C</b>				
	4 W - 360 lm				

## Module Code :

Code Example: C4MS2ZLWWDZ927MT

<b>C4MS2Z</b>	<input type="checkbox"/>	<input type="checkbox"/>	<input type="checkbox"/>	<input type="checkbox"/>	<input type="checkbox"/>	<input type="checkbox"/>	<input type="checkbox"/>	<input type="checkbox"/>	<input type="checkbox"/>	<input type="checkbox"/>
Type	Power	Body Finish	Baffles Finish	UL Rating	Optics Type	CRI	CCT	Accessory	Accessory (secondary)	
<b>C4MS2Z</b>	<b>Mono:</b>	<b>W</b>	<b>W</b>	<b>D</b>	<b>Z</b>	<b>9</b>	<b>27</b>	<b>O</b>	<b>N</b>	
	<b>L</b>	White	Flat White	Dry	15°-50°	90+	2700K	None	None	
	10 W - 530 lm	<b>B</b>	<b>B</b>	<b>W</b>		<b>H</b>	<b>30</b>	<b>C</b>	<b>T</b>	
		Black	Flat Black	Wet		Thrive	3000K	Clear Lens	Clear Lens	
	<b>M</b>	<b>G</b>	<b>N</b>				<b>35</b>	<b>D</b>	<b>L</b>	
	12 W - 735 lm	Grey	Black Nickel				3500K	Diffuse Lens	Diffuse Lens	
	<b>H</b>	<b>X</b>	<b>C</b>				<b>40</b>	<b>E</b>	<b>F</b>	
	18 W - 990 lm	Custom	Specular Chrome				4000K	Elliptical Lens	Solite Lens	
	<b>Dim to Warm:</b>		<b>D</b>				<b>WD</b>	<b>H</b>		
	<b>W</b>		Diffuse Chrome				3000K - 1800K	Honeycomb Lens		
	10 W - 610 lm		<b>G</b>				<b>TW</b>	<b>S</b>		
	<b>D</b>		Bright Gold				2700K - 6500K	Solite Lens		
	18 W - 1190 lm		<b>E</b>				<b>CC</b>	<b>M</b>		
	<b>Tunable White:</b>		Diffuse Gold				RGBW	Mixing		
	<b>U</b>									
	10 W - 540 lm									
	<b>A</b>									
	18 W - 740 lm									
	<b>RGBW:</b>									
	<b>C</b>									
	4 W - 360 lm									

Fill in the same power code value for the housing and module.

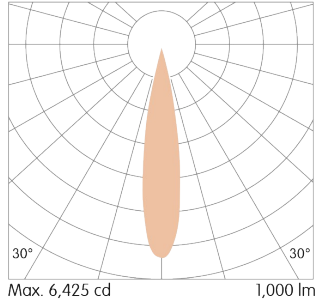
- Notes:
1. Denotes output at 3000K, unless otherwise noted.
  2. Denotes output specific to Dim-to-Warm at 3000K.
  3. Denotes output specific to Tunable White.
  4. Denotes output specific to RGBW.
  5. Not applicable for ELV dimming.
  6. Hi-lume, Vive, and Athena compatible.
  7. Only available with DMX dimming.
  8. Not applicable for integral driver.



Optical Flexibility:

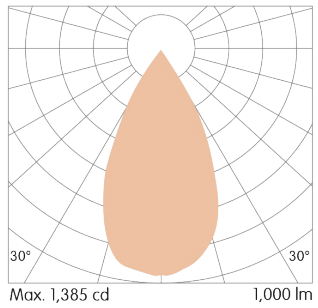
CHAMELEON S4 ZOOMABLE DISTRIBUTION 15°

Zoomable Distribution 15°

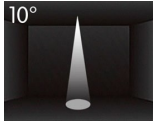


CHAMELEON S4 ZOOMABLE DISTRIBUTION 50°

Zoomable Distribution 50°



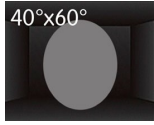
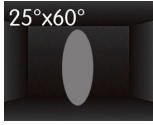
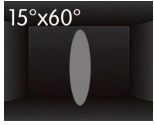
# BEAM DISTRIBUTION AND COMBINATION



10°+ Diffuse lens

25°+ Diffuse lens

50°+ Diffuse lens



10°+ Elliptical spread lens (10x60)

25°+ Elliptical spread lens (10x60)

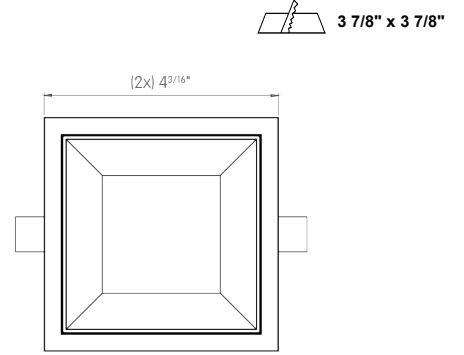
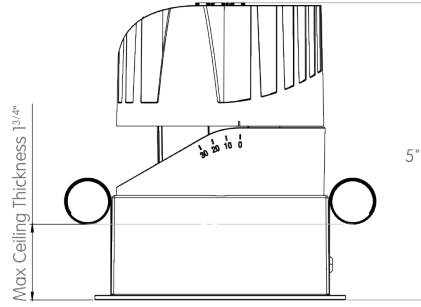
35°+ Elliptical spread lens (10x60)

## Delivered Lumen Output:

Output		Watts		CRI +90			
<b>STATIC-WHITE</b>				<b>2700K</b>	<b>3000K</b>	<b>4000K</b>	
<b>L</b>	<b>10W</b>			505 lm	530 lm	550 lm	
<b>M</b>	<b>12W</b>			705 lm	735 lm	765 lm	
<b>H</b>	<b>18W</b>			945 lm	990 lm	1025 lm	
<b>DIM-TO-WARM</b> 3000K-3000K					<b>3000K</b>		
<b>W</b>	<b>10W</b>				610 lm		
<b>D</b>	<b>18W</b>				1190 lm		
<b>TUNABLE WHITE</b> 2700K-6500K				<b>2700K</b>		<b>6500K</b>	
<b>U</b>	<b>10W</b>			540 lm		640 lm	
<b>A</b>	<b>18W</b>			740 lm		900 lm	
<b>RGBW</b>				<b>R</b>	<b>G</b>	<b>B</b>	<b>W</b>
<b>Total</b>	<b>4W</b>			50 lm	360 lm	60 lm	240 lm

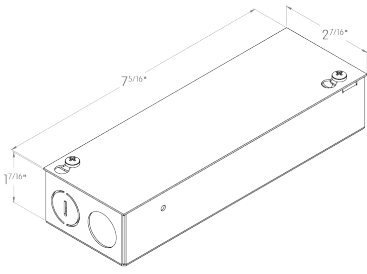
Mounting Flexibility:

TRIM CONSTANT FORCE SPRINGS



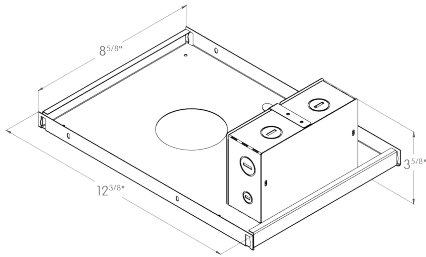
## Housing:

### REMODEL HOUSING



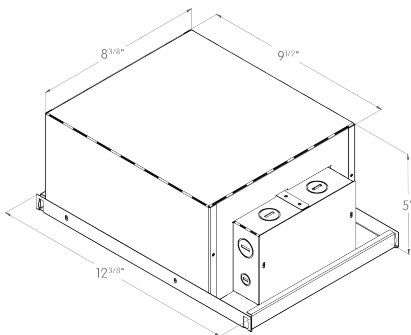
- Ceilings Without Insulation.
- You Want Higher Wattage Fixtures.
- When There's At Least 3 Inches Clearance Around Fixture.

### NON-IC HOUSING



- Ceilings Without Insulation.
- You Want Higher Wattage Fixtures.
- When There's At Least 3 Inches Clearance Around Fixture.

### IC HOUSING & AIRTIGHT



- If There Is Insulation in the Ceiling.
- In Residential Ceilings or Attics.
- In Energy-Efficient or Sealed Homes.