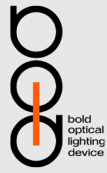


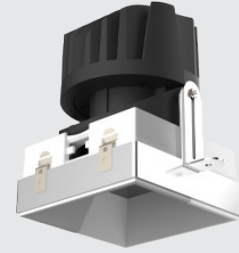
CHAMELEON S3 ADJUSTABLE

Millwork



Key Features:

- Up to 1265lm delivered output
- Gear driven tilt 0° to 30° and 360° lockable rotation
- Various beams available upon request of vertical plane
- 5 years limited warranty
- Chicago plenum rated



Technical Data:

Body Material	Die-cast	Delivered Lumen Range	600 lm to 1265 lm
Safety	Chicago Plenum	Output Type	Constant Current
Warranty	5 Years	Driver	Integral
Light Source	COB	Code Compliance	CCEA / CCC / CSA / CE / ETL / JA8
Lifetime	L80/B10 @ 70,000 hours	CCT	2700K / 3000K / 3500K / 4000K / Tunable White / Dim to Warm / RGBW
Power Range	8W to 12W		

Housing Code :

Code Example: C3HS3L20R9

C3HS3	<input type="checkbox"/>	<input type="checkbox"/>	<input type="checkbox"/>	<input type="checkbox"/>	<input type="checkbox"/>
Type	Power	Voltage	Control	Housing	Emergency
C3HS3	Mono:	2	0	R	N
L	8 W - 760 lm	240-220V	Non-Dim	Remodel	No
U	Universal 120 to 277V	0-10 to 1%	Non-IC	90 mins	
M	10 W - 860 lm	0-10 Fade-off	IC		
H	12 W - 1010 lm	DALI	Airtight		
Dim to Warm:		Phase ELV & Triac	No Housing		
W	8 W - 645 lm	Lutron			
D	12 W - 900 lm	DMX			
Tunable White:					
U	8 W - 515 lm				
A	12 W - 770 lm				
RGBW:					
C	2 W - 245 lm				

Module Code :

Code Example: C3MS3ALWDDS927MT

Fill in the same power code value for the housing and module.

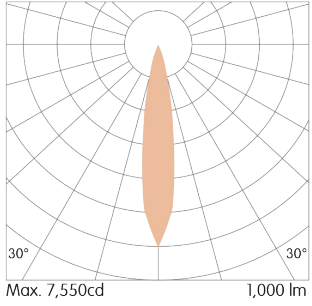
C3MS3A	<input type="checkbox"/>	<input type="checkbox"/>	<input type="checkbox"/>	<input type="checkbox"/>	<input type="checkbox"/>	<input type="checkbox"/>	<input type="checkbox"/>	<input type="checkbox"/>	<input type="checkbox"/>	<input type="checkbox"/>
Type	Power	Body Finish	Baffles Finish	UL Rating	Optics Type	CRI	CCT	Accessory	Accessory (secondary)	
C3MS3A	Mono:	W	W	D	S	9	27	O	N	
L	8 W - 760 lm	White	Flat White	Dry	10°	90+	2700K	None	None	
B	Black	Flat Black	Wet	25°	Thrive	3000K	Clear Lens	Clear Lens		
M	10 W - 860 lm	Grey	Black Nickel	35°		3500K	Diffuse Lens	Diffuse Lens		
X	Custom	Specular Chrome		50°		4000K	Elliptical Lens	Solite Lens		
Dim to Warm:		Diffuse Chrome				3000K - 1800K	Honeycomb Lens			
W	8 W - 645 lm	Bright Gold				2700K - 6500K	Solite Lens			
D	12 W - 900 lm	Diffuse Gold				RGBW	Mixing			
Tunable White:										
U	8 W - 515 lm									
A	12 W - 770 lm									
RGBW:										
C	2 W - 245 lm									

- Notes:
1. Denotes output at 3000K, unless otherwise noted.
 2. Denotes output specific to Dim-to-Warm at 3000K.
 3. Denotes output specific to Tunable White.
 4. Denotes output specific to RGBW.
 5. Not applicable for ELV dimming.
 6. Hi-lume, Vive, and Athena compatible.
 7. Only available with DMX dimming.
 8. Not applicable for integral driver.

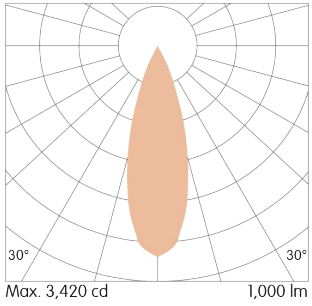


Optical Flexibility:

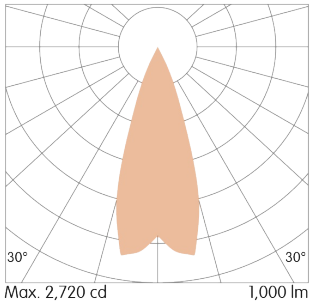
CHAMELEON S3 NARROW DISTRIBUTION 10°



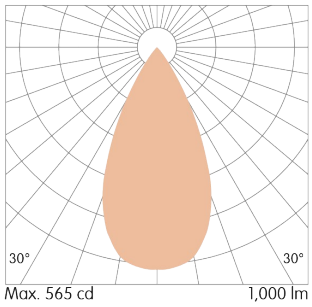
CHAMELEON S3 MEDIUM DISTRIBUTION 25°



CHAMELEON S3 FLOOD DISTRIBUTION 35°



CHAMELEON S3 WIDE DISTRIBUTION 50°



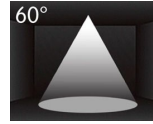
BEAM DISTRIBUTION AND COMBINATION



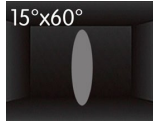
15°+ Diffuse lens



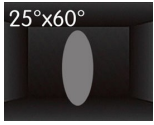
25°+ Diffuse lens



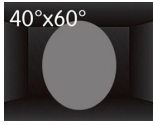
50°+ Diffuse lens



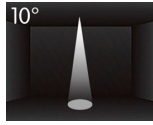
10°+ Elliptical spread lens (10x60)



25°+ Elliptical spread lens (10x60)



35°+ Elliptical spread lens (10x60)

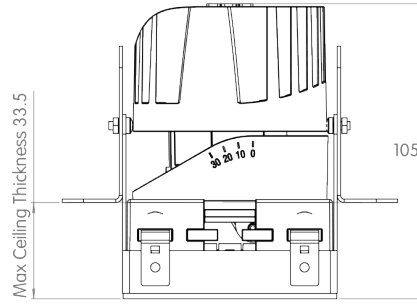
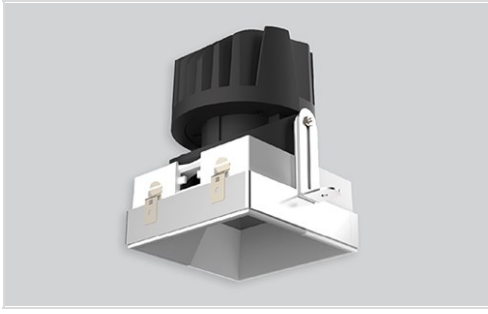



Delivered Lumen Output:

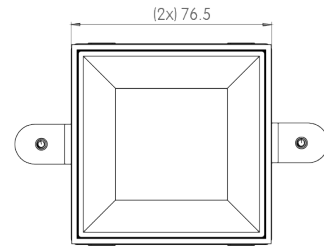
Output		Watts	CRI +90			
STATIC-WHITE			2700K	3000K	4000K	
L	8W		600 lm	760 lm	800 lm	
M	10W		810 lm	860 lm	1115 lm	
H	12W		960 lm	1010 lm	1265 lm	
DIM-TO-WARM 3000K-3000K			3000K			
W	8W		645 lm			
D	12W		900 lm			
TUNABLE WHITE 2700K-6500K			2700K	6500K		
U	8W		515 lm	585 lm		
A	12W		770 lm	875 lm		
RGBW			R	G	B	W
Total	2W		35 lm	245 lm	45 lm	165 lm

Mounting Flexibility:

MILLWORK

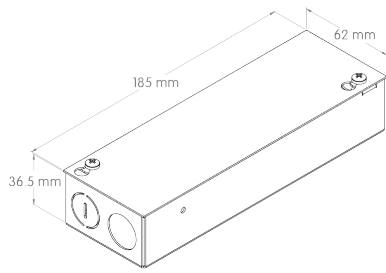


 $\varnothing 76.5 \text{ mm}$



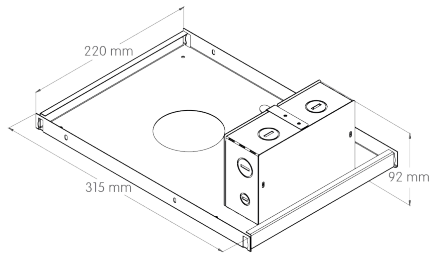
Housing:

REMODEL HOUSING



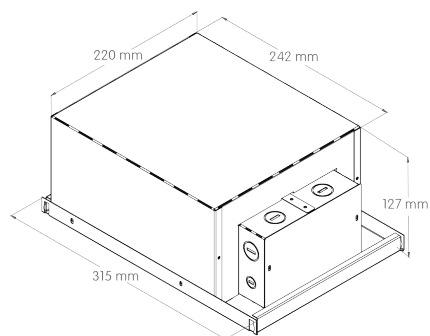
- Ceilings Without Insulation.
- You Want Higher Wattage Fixtures.
- When There's At Least 76.5mm Clearance Around Fixture.

NON-IC HOUSING



- Ceilings Without Insulation.
- You Want Higher Wattage Fixtures.
- When There's At Least 76.5mm Clearance Around Fixture.

IC HOUSING & AIRTIGHT



- If There Is Insulation in the Ceiling.
- In Residential Ceilings or Attics.
- In Energy-Efficient or Sealed Homes.