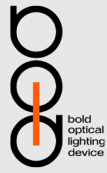


# CHAMELEON R3 PINHOLE ADJUSTABLE

Trimless



## Key Features:

- Up to 1265lm delivered output
- Gear driven tilt 0° to 30° and 360° lockable rotation
- Various beams available upon request of vertical plane.
- 5 years limited warranty
- Chicago plenum rated



## Technical Data:

<b>Body Material</b>	Die-cast	<b>Delivered Lumen Range</b>	600 lm to 1265 lm
<b>Safety</b>	Chicago Plenum	<b>Output Type</b>	Constant Current
<b>Warranty</b>	5 Years	<b>Driver</b>	Integral
<b>Light Source</b>	COB	<b>Code Compliance</b>	CCEA / CCC / CSA / CE / ETL / JA8
<b>Lifetime</b>	L80/B10 @ 70,000 hours	<b>CCT</b>	2700K / 3000K / 3500K / 4000K / Tunable White / Dim to Warm / RGBW
<b>Power Range</b>	8W to 12W		

## Housing Code :

Code Example: C3HR0L20R9

C3HR0	Power	Voltage	Control	Housing	Emergency
<b>C3HR0</b>	<b>Mono:</b>	<b>2</b>	<b>0</b>	<b>R</b>	<b>N</b>
<b>L</b>	240-220V	Non-Dim	Remodel	No	
<b>8 W - 760 Im</b>	<b>U</b>	<b>1</b>	<b>N</b>	<b>9</b>	
	Universal	0-10 to 1%	Non-IC	90 mins	
<b>M</b>	120 to 277V	<b>2</b>	<b>I</b>		
<b>10 W - 860 Im</b>		0-10 Fade-off	IC		
<b>H</b>		<b>D</b>	<b>A</b>		
<b>12 W - 1010 Im</b>		DALI	Airtight		
<b>Dim to Warm:</b>		<b>P</b>	<b>0</b>		
<b>W</b>		Phase ELV & Triac	No Housing		
<b>8 W - 645 Im</b>		<b>L</b>			
		Lutron			
<b>D</b>		<b>X</b>			
<b>12 W - 900 Im</b>		DMX			
<b>Tunable White:</b>					
<b>U</b>					
<b>8 W - 515 Im</b>					
<b>A</b>					
<b>12 W - 770 Im</b>					
<b>RGBW:</b>					
<b>C</b>					
<b>2 W - 245 Im</b>					

## Module Code :

Code Example: C3MR0ILWWDS927MT

C3MR0I	Power	Body Finish	Baffles Finish	UL Rating	Optics Type	CRI	CCT	Accessory	Accessory (secondary)
<b>C3MR0I</b>	<b>Mono:</b>	<b>W</b>	<b>W</b>	<b>D</b>	<b>S</b>	<b>9</b>	<b>27</b>	<b>O</b>	<b>N</b>
	8 W - 760 Im	White	Flat White	Dry	10°	90+	2700K	None	None
	<b>B</b>	<b>B</b>	<b>W</b>	<b>M</b>	<b>H</b>	<b>30</b>	<b>C</b>	<b>T</b>	
	Black	Flat Black	Wet	25°	Thrive	3000K	Clear Lens	Clear Lens	
	<b>M</b>	<b>G</b>	<b>N</b>	<b>M</b>		<b>35</b>	<b>D</b>	<b>L</b>	
	10 W - 860 Im	Grey	Black Nickel	35°		3500K	Diffuse Lens	Diffuse Lens	
	<b>H</b>	<b>X</b>	<b>D</b>	<b>F</b>		<b>40</b>	<b>E</b>	<b>F</b>	
	12 W - 1010 Im	Custom	Diffuse Chrome	50°		4000K	Elliptical Lens	Solite Lens	
	<b>Dim to Warm:</b>		<b>X</b>			<b>WD</b>			
	<b>W</b>		Custom			3000K - 1800K			
	8 W - 645 Im					<b>TW</b>			
	<b>D</b>					2700K - 6500K			
	12 W - 900 Im					<b>CC</b>			
	<b>Tunable White:</b>					RGBW			
	<b>U</b>								
	8 W - 515 Im								
	<b>A</b>								
	12 W - 770 Im								
	<b>RGBW:</b>								
	<b>C</b>								
	2 W - 245 Im								

Fill in the same power code value for the housing and module.

### Notes:

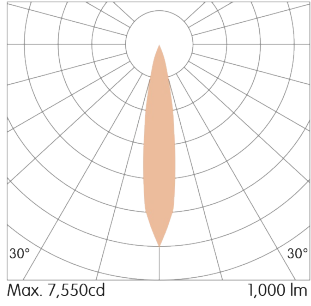
1. Denotes output at 3000K, unless otherwise noted.
2. Denotes output specific to Dim-to-Warm at 3000K.
3. Denotes output specific to Tunable White.
4. Denotes output specific to RGBW.
5. Not applicable for ELV dimming.
6. Hi-lume, Vive, and Athena compatible.
7. Only available with DMX dimming.
8. Not applicable for integral driver.



**Optical Flexibility:**

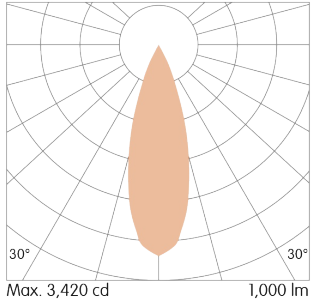
**CHAMELEON R3 PINHOLE ADJUSTABLE NARROW DISTRIBUTION 10°**

Narrow Distribution 10°



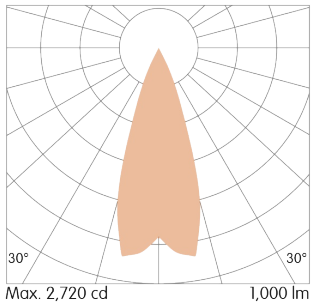
**CHAMELEON R3 PINHOLE ADJUSTABLE MEDIUM DISTRIBUTION 25°**

Medium Distribution 25°



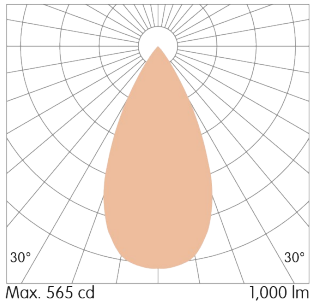
**CHAMELEON R3 PINHOLE ADJUSTABLE FLOOD DISTRIBUTION 35°**

Flood Distribution 35°

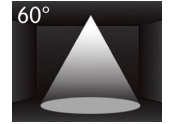
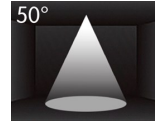
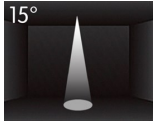
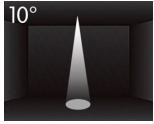


**CHAMELEON R3 PINHOLE ADJUSTABLE WIDE DISTRIBUTION 50°**

Wide Distribution 50°



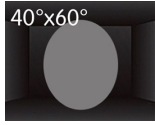
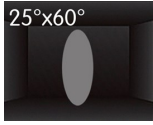
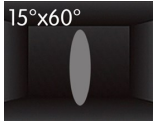
# BEAM DISTRIBUTION AND COMBINATION



10°+ Diffuse lens

25°+ Diffuse lens

50°+ Diffuse lens



10°+ Elliptical spread lens (10x60)

25°+ Elliptical spread lens (10x60)

35°+ Elliptical spread lens (10x60)

## Delivered Lumen Output:

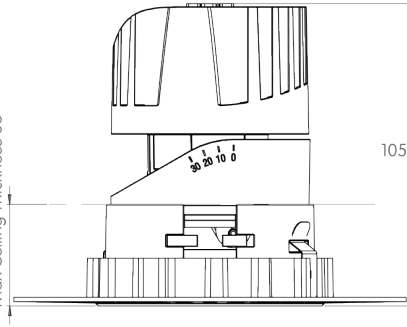
Output		Watts		CRI +90			
<b>STATIC-WHITE</b>				<b>2700K</b>	<b>3000K</b>	<b>4000K</b>	
<b>L</b>	8W			600 lm	760 lm	800 lm	
<b>M</b>	10W			810 lm	860 lm	1115 lm	
<b>H</b>	12W			960 lm	1010 lm	1265 lm	
<b>DIM-TO-WARM</b> 3000K-3000K					<b>3000K</b>		
<b>W</b>	8W				645 lm		
<b>D</b>	12W				900 lm		
<b>TUNABLE WHITE</b> 2700K-6500K				<b>2700K</b>		<b>6500K</b>	
<b>U</b>	8W			515 lm		585 lm	
<b>A</b>	12W			770 lm		875 lm	
<b>RGBW</b>				<b>R</b>	<b>G</b>	<b>B</b>	<b>W</b>
<b>Total</b>	2W			35 lm	245 lm	45 lm	165 lm

## Mounting Flexibility:

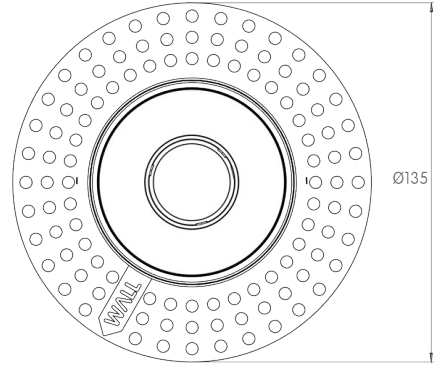
TRIMLESS



Max Ceiling Thickness 35

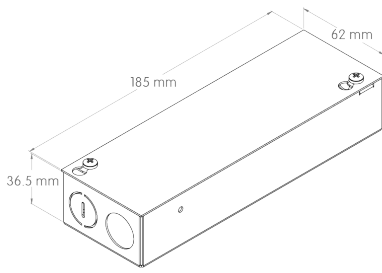


Ø 90 mm



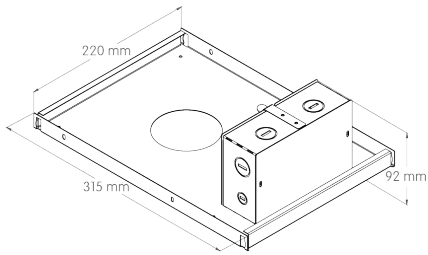
## Housing:

### REMODEL HOUSING



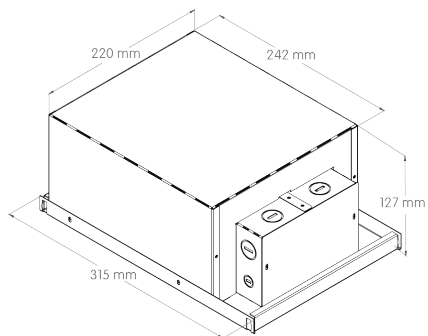
- Ceilings Without Insulation.
- You Want Higher Wattage Fixtures.
- When There's At Least 76.5mm Clearance Around Fixture.

### NON-IC HOUSING



- Ceilings Without Insulation.
- You Want Higher Wattage Fixtures.
- When There's At Least 76.5mm Clearance Around Fixture.

### IC HOUSING & AIRTIGHT



- If There Is Insulation in the Ceiling.
- In Residential Ceilings or Attics.
- In Energy-Efficient or Sealed Homes.