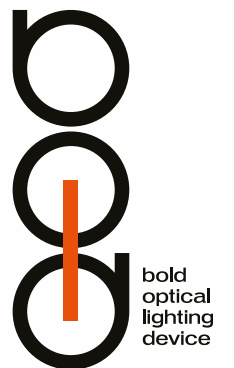




Lighting Collection 2026



We are Quietly Bold.

“At Bold we believe the quiet integration of  
**Light & Architecture**  
is the foundation of Great Design.”

# Contents

## OUTDOOR

### TERRAIN

Wallpack Square	10
Bollard Square	14
Pole Square	18
Stealth Grazer	22

### STRATA

Bollard Round	28
Projector symmetric	32
Projector Wallwash	38
Steplight	42

### CHAMELEON

Uplight	48
Uplight Wallwash	54

## LINEAR

### BILLET INDOOR

Baffled Wallgrazer	64
Wallwasher Stealth	76
Baffled Wallwasher	82
Symmetric Baffles	94
Honeycomb	106
Opal	118

### BILLET OUTDOOR

Baffled Wallgrazer	134
Wallwasher Stealth	140
Baffled Wallwasher	146
Symmetric Baffles	154
Honeycomb	162
Opal	168

### BILLET STEPLIGHT

Baffled Steplight	176
Stealth Steplight	182

### CALIBER

Indoor	188
Outdoor	194

### LANCE

Integral Baffled	204
Integral	208
Integral Opal	212

## POINTSOURCE

### GHOST

Washer - Downlighting	220
Fixed	
Downlighting Adjustable	224
Hybrid	228

### CHAMELEON 3 INCH

R3"   S3" Fixed	238
R3"   S3" Shallow Fixed	246
R3"   S3" Adjustable	254
R3"   S3" Zoomable	264
R3"   S3" Washed	274
R3"   S3" Shallow Washed	282
R3" Streamline	290
R3" Streamline Wallwash	294

### CHAMELEON 4 INCH

R4"   S4" Fixed	300
R4"   S4" Adjustable	308
R4"   S4" Zoomable	318
R4"   S4" Washed	326

### ECLIPSE

Single Unit	336
Multiple Three Cells	340
Multiple Five Cells	344

## TRACK

### SPECTER TRACK

Linear Standard	356
Linear Mini	362
Linear Curved	368

### SPECTER DRIVERS

Driver 60	378
Driver 100	382
Driver 120	386
Driver 150	390
Driver 200	394
Driver 300	398

### SPECTER MODULES LINEAR STANDARD

Break	406
Opal / Dot	
Drop	410
Washer / Dot	
Undrop	414
Opal / Washer / Dot	

Snoot	420
0 / 0 Double / 1 / 2 /	
0 Pendant / 1 Pendant /	
1 Zoomable	
Frame Forming Snoot	448
Gobo Snoot	452

### SPECTER MODULES LINEAR MINI

Mini Break	460
Opal / Dot	
Mini Undrop	464
Opal / Dot / Washer	
Mini Snoot	472
0 / 1 / 2 / 0 Pendant /	
1 Pendant / 1 Zoomable	

### SPECTER MODULES CURVED

Curved Undrop	498
Opal / Dot	
Curved Snoot	502
0 / 1 / 0 Pendant /	
1 Pendant / 1 Zoomable	

OUTDOOR

# TERRAIN



Terrain Wallpack Square

Terrain Bollard Square

Terrain Pole Square

Terrain Stealth Grazer

As an integral part of the broader outdoor collection, TERRAIN reflects the quietly bold character of the brand. Its refined, minimalist geometry integrates seamlessly into diverse architectural environments, allowing the quality of light to define the space.

With multiple optical distributions available, architects and designers can achieve optimal uniformity, visual comfort, and precise glare control; ensuring harmony between structure, light, and nature.

# WALLPACK SQUARE



## CONSTRUCTION

Product Type : Wallpack  
 Body Material : Aluminum / Steel  
 Body Finish : Black / Grey / White  
 Custom RAL  
 IP Rating : IP66  
 IK Rating : IK08

## INSTALLATION

Environment : Outdoor  
 Mounting : Wall

## OPTICS

Optical Distribution : Type I, II, III, IV

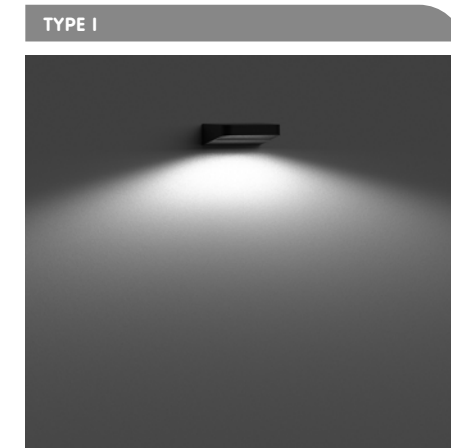
## LIGHT SOURCE

Direct Light Source : Hi-Power LEDs  
 Luminous Output : Up to 3520lm  
 Light Source CCT : 3000K / 3500K / 4000K  
 Color Rendering Index : Ra70 - Ra80  
 Lifetime : L80 B10 @ 70,000 Hrs

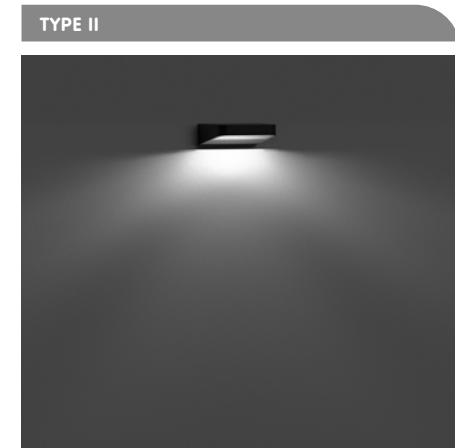
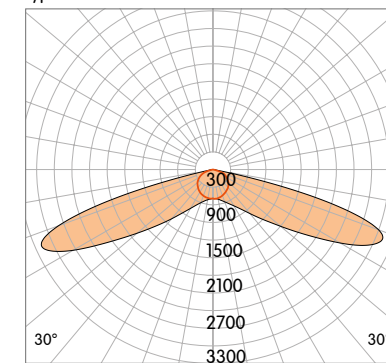
## ELECTRICAL

Input Voltage : 120V / 220V - 240V / UNV  
 120-277V - 50Hz/60Hz  
 Driver Type : Remote  
 Dimming : 0-10V / DALI / ELV  
 Code Compliance : ETL / CSA / CE

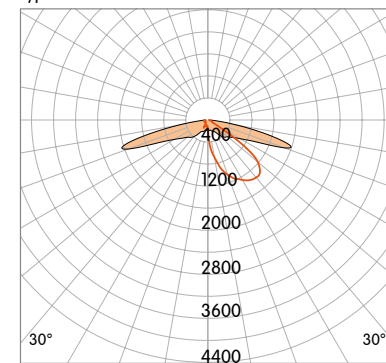
## OPTICAL FLEXIBILITY



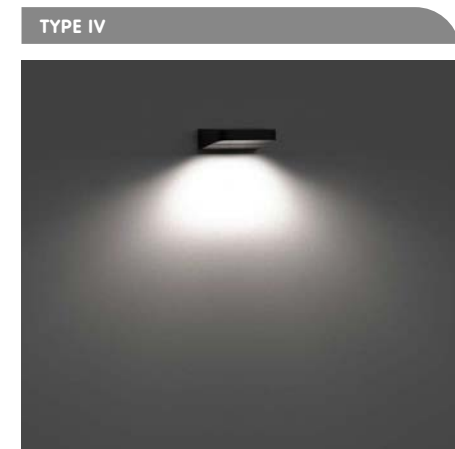
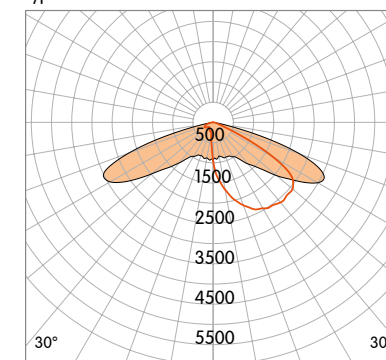
Type I



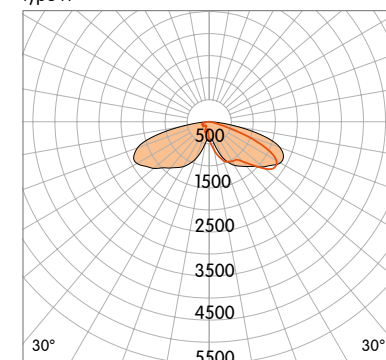
Type II



Type III



Type IV



Code example: **TOW**-B-LUH-4830

Series	Body Finish	Output	Voltage	Dimming	Distribution	CRI	CCT
<b>TOW</b>	B Black	L <sup>1</sup> 10W (1200lm)	1 120V	H Non Dim	1 Type I	7 +70	30 3000K
	G Grey	M <sup>1</sup> 20W (2210lm)	2 220V-240V	I 0-10V to 1%	2 Type II	8 +80	35 3500K
	W White	H <sup>1</sup> 30W (3200lm)	U Universal 120 to 277V	K Dali to 1%	3 Type III		40 4000K
	X Custom RAL			L ELV	4 Type IV		

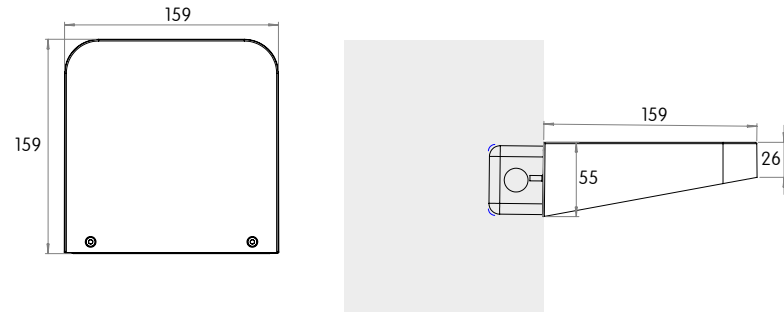
### Notes:

<sup>1</sup> Denotes output at 3000K, unless otherwise noted.

Consult factory for lead-times.  
 Consult factory for systems using multiple optics and mounting configurations.

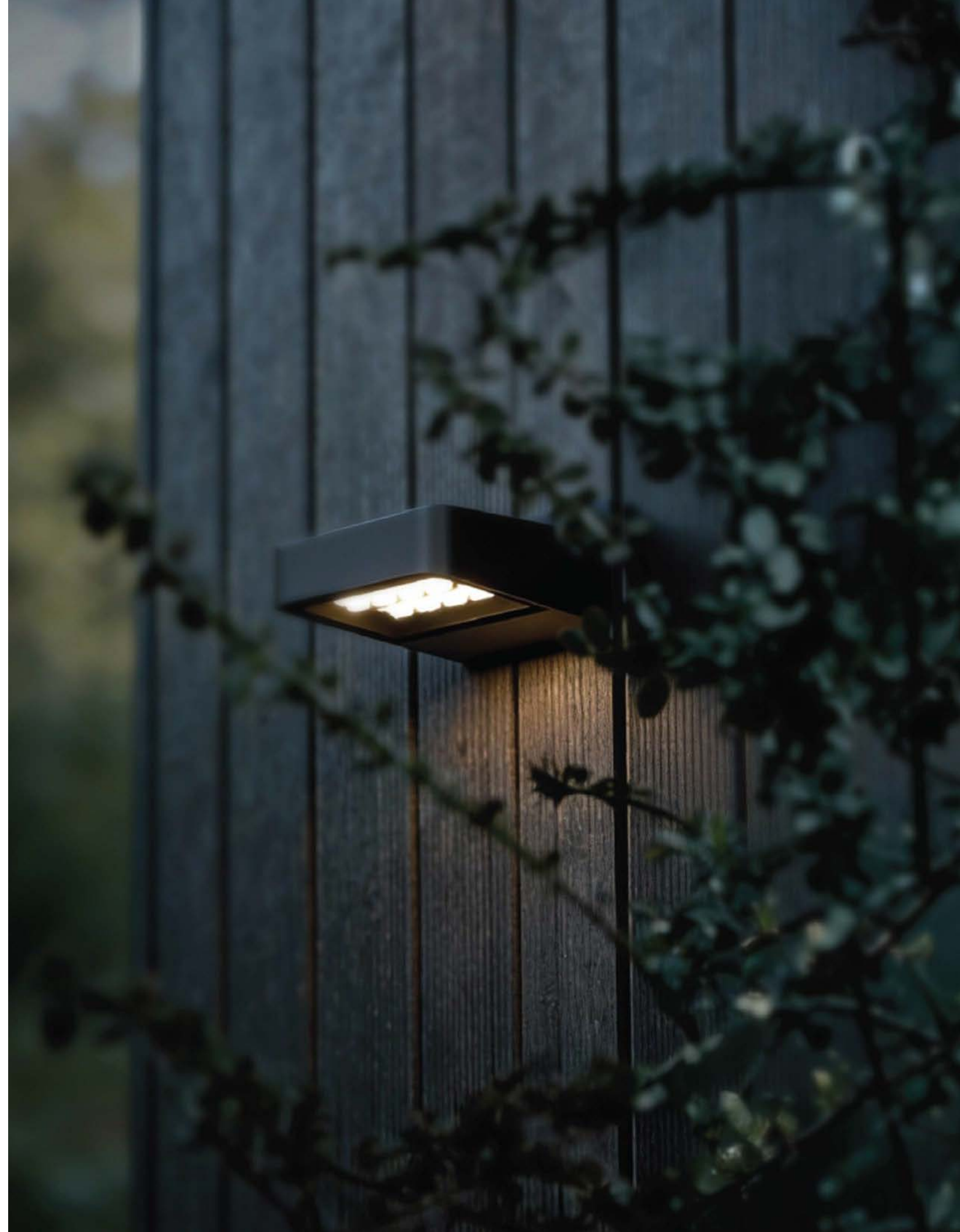
**MOUNTING FLEXIBILITY**  
Per Millimeter

**BOLLARD**



**DELIVERED LUMEN OUTPUT**

Output		Watts		
STATIC-WHITE		3000K	3500K	4000K
L	10W	1200 lm	1260 lm	1320 lm
M	20W	2210 lm	2320 lm	2430 lm
H	30W	3200 lm	3370 lm	3520 lm



# BOLLARD SQUARE



## CONSTRUCTION

Product Type : Bollard  
 Body Material : Aluminum  
 Body Finish : Black / Grey / White  
 Custom RAL  
 IP Rating : IP66  
 IK Rating : IK08

## INSTALLATION

Environment : Outdoor  
 Mounting : Bollard

## OPTICS

Optical Distribution : Type I, II, III, IV

## LIGHT SOURCE

Direct Light Source : Hi-Power LEDs  
 Luminous Output : Up to 3520lm  
 Light Source CCT : 3000K / 3500K 4000K  
 Color Rendering Index : Ra70 - Ra80  
 Lifetime : L80 B10 @ 70,000 Hrs

## ELECTRICAL

Input Voltage : 120V / 220V - 240V / UNV  
 120-277V - 50Hz/60Hz  
 Driver Type : Integral  
 Dimming : 0-10V / DALI / ELV  
 Code Compliance : ETL / CSA / CE

Code example: **TOS** - 3 6 B - LUB - 4 8 3 0

Series	Height	Body Finish	Output	Voltage	Dimming	Distribution	CRI	CCT
<b>TOS</b>	12	300mm	<b>B</b> Black <b>L</b> <sup>1</sup> 10W (1200lm)	<b>1</b> 120V	<b>A</b> No Dimming	<b>1</b> Type I	<b>7</b> +70	<b>30</b> 3000K
	24	600mm	<b>G</b> Grey <b>M</b> <sup>1</sup> 20W (2210lm)					
	36	9004mm	<b>W</b> White <b>H</b> <sup>1</sup> 30W (3200lm) <b>X</b> Custom RAL	<b>U</b> Universal 120 to 277V	<b>D</b> DALI to 1% <b>E</b> ELV Dimming	<b>3</b> Type III <b>4</b> Type IV		<b>40</b> 4000K

### Notes:

<sup>1</sup> Denotes output at 3000K, unless otherwise noted.

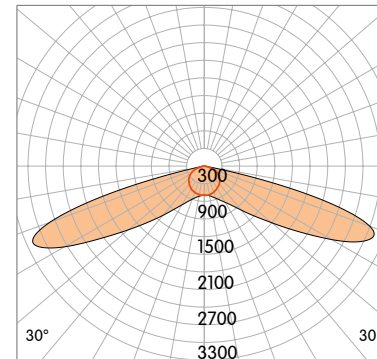
Consult factory for lead-times.  
 Consult factory for systems using multiple optics and mounting configurations.

## OPTICAL FLEXIBILITY

TYPE I



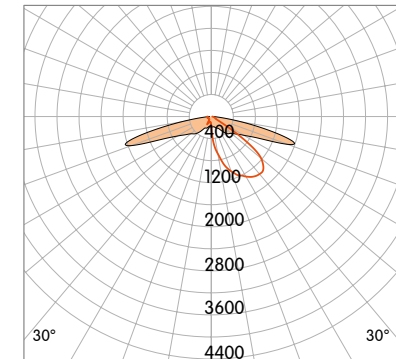
Type I



TYPE II



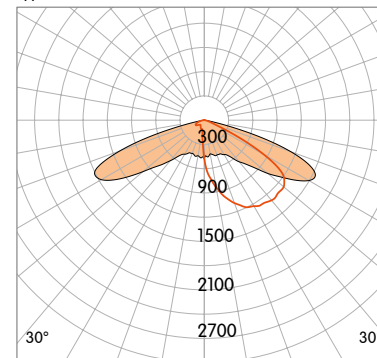
Type II



TYPE III



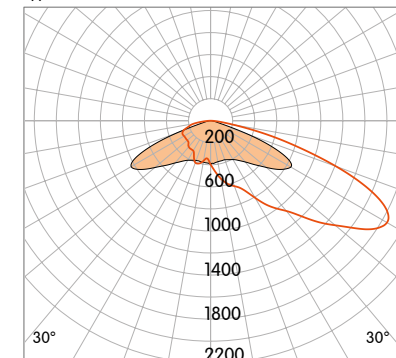
Type III



TYPE IV

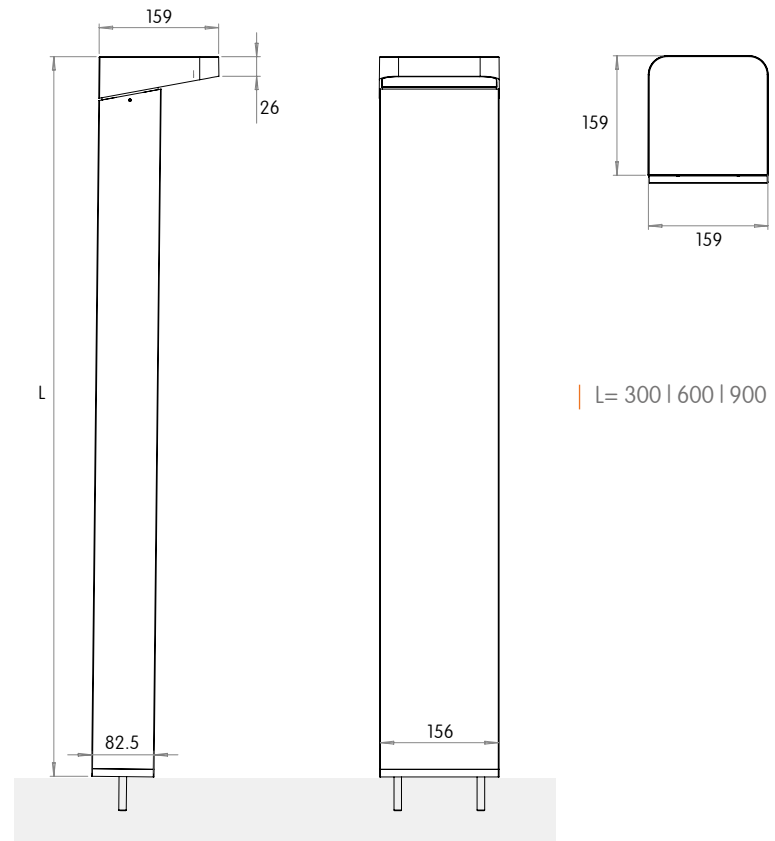


Type IV



**MOUNTING FLEXIBILITY**  
Per Millimeter

**BOLLARD**

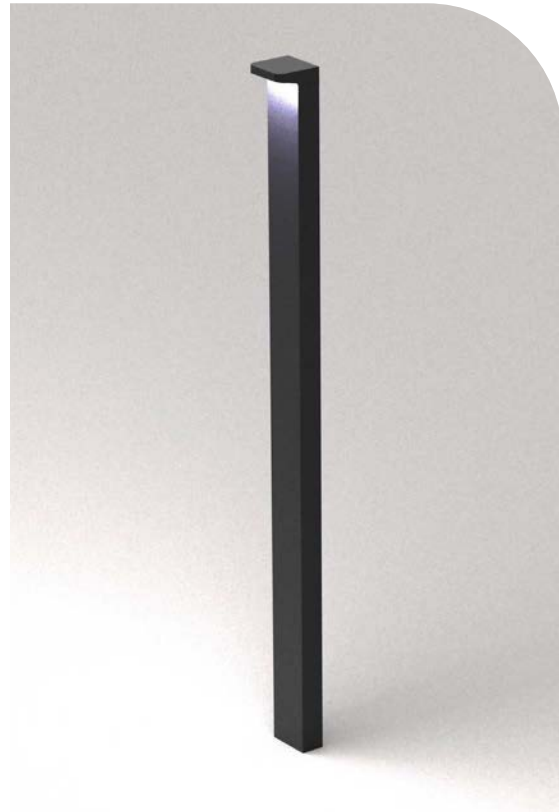


**DELIVERED LUMEN OUTPUT**

Output		Watts			
STATIC-WHITE		3000K	3500K	4000K	
L	10W	1200 lm	1260 lm	1320 lm	
M	20W	2210 lm	2320 lm	2430 lm	
H	30W	3200 lm	3370 lm	3520 lm	



# POLE SQUARE



## CONSTRUCTION

Product Type : Street Lighting  
 Body Material : Aluminum / Steel  
 Body Finish : Black / Grey / White  
 Custom RAL  
 IP Rating : IP66  
 IK Rating : IK08

## INSTALLATION

Environment : Outdoor  
 Mounting : Poles

## OPTICS

Optical Distribution : Type I, II, III, IV-N, IV-M

## LIGHT SOURCE

Direct Light Source : Hi-Power LEDs  
 Luminous Output : Up to 6850lm  
 Light Source CCT : 3000K / 3500K / 4000K  
 Color Rendering Index : Ra70 - Ra80  
 Lifetime : L80 B10 @ 70,000 Hrs

## ELECTRICAL

Input Voltage : 120V / 220V - 240V / UNV  
 120-277V - 50Hz/60Hz  
 Driver Type : Integral  
 Dimming : 0-10V / DALI / ELV  
 Code Compliance : ETL / CSA / CE

Code example: **TOP**-08B-LUB-4830

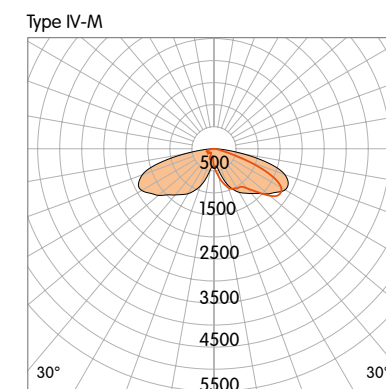
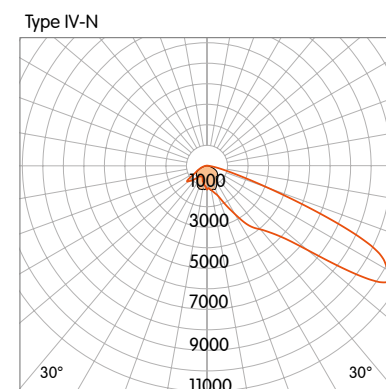
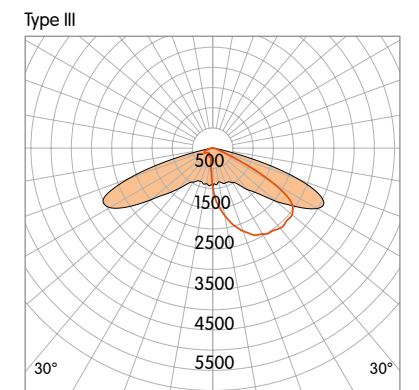
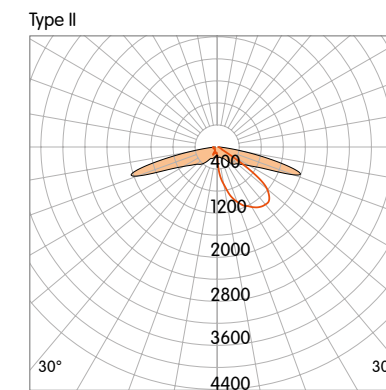
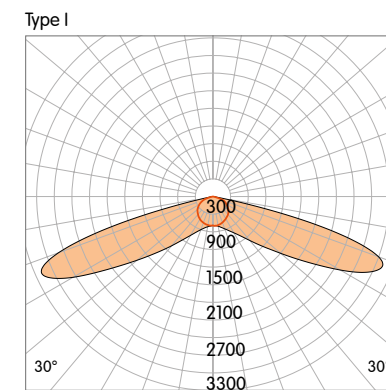
Series	Height	Body Finish	Output	Voltage	Dimming	Distribution	CRI	CCT
<b>TOP</b>	8	2.4m	<b>B</b> Black <b>L</b> <sup>1</sup> 30W (3350lm)	<b>1</b> 120V <b>2</b> 220V-240V <b>U</b> Universal 120 to 277V	<b>A</b> Non Dim <b>B</b> 0-10V to 1% <b>D</b> Dali to 1% <b>E</b> ELV	<b>1</b> Type I <b>2</b> Type II <b>3</b> Type III <b>4</b> Type IV-N <b>5</b> Type IV-M	<b>7</b> +70 <b>8</b> +80 <b>40</b> 4000K	<b>30</b> 3000K
	10	3m	<b>G</b> Grey <b>M</b> <sup>1</sup> 40W (4350lm)					<b>35</b> 3500K
			<b>W</b> White <b>H</b> <sup>1</sup> 50W (5300lm)					<b>40</b> 4000K
			<b>X</b> Custom RAL <b>V</b> <sup>1</sup> 60W (6180lm)					

### Notes:

<sup>1</sup> Denotes output at 3000K, unless otherwise noted.

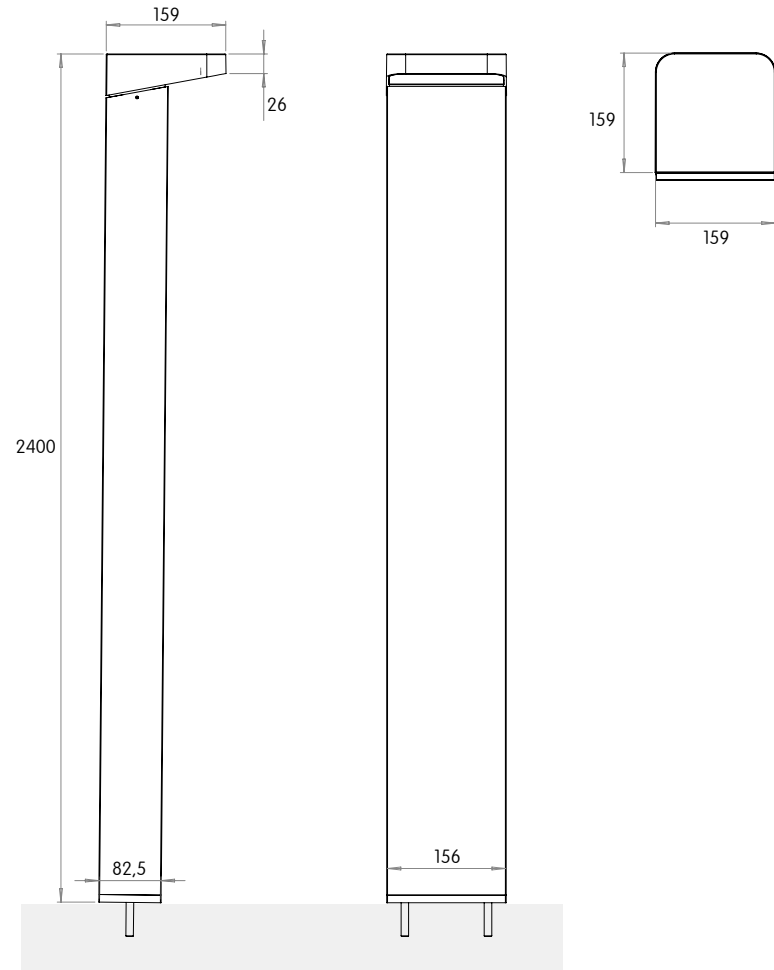
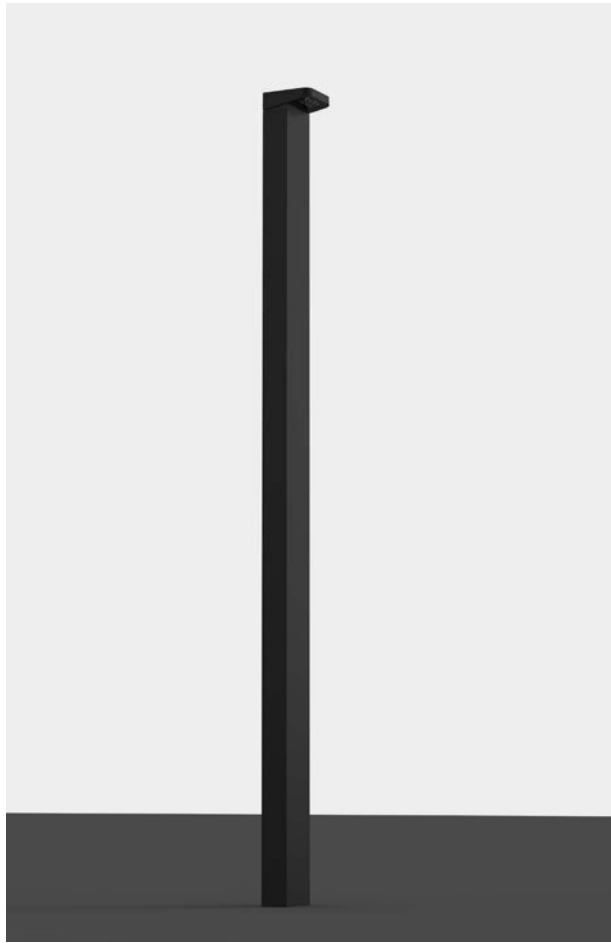
Consult factory for lead-times.  
 Consult factory for systems using multiple optics and mounting configurations.

## OPTICAL FLEXIBILITY



**MOUNTING FLEXIBILITY**  
Per Millimeter

**POLE**



**DELIVERED LUMEN OUTPUT**

Output Watts

STATIC-WHITE		3000K	3500K	4000K
L	30W	3350 lm	3510 lm	3680 lm
M	40W	4350 lm	4550 lm	4780 lm
H	50W	5300 lm	5550 lm	5850 lm
V	60W	6180 lm	6500 lm	6850 lm



# STEALTH GRAZER



## CONSTRUCTION

Product Type : Grazer  
 Body Material : Aluminum/Steel  
 Body Finish : Black / Grey / White  
 Custom RAL  
 IP Rating : IP67  
 IK Rating : IK10

## INSTALLATION

Environment : Outdoor  
 Mounting : Floor

## OPTICS

Optical Distribution : Floor Grazer

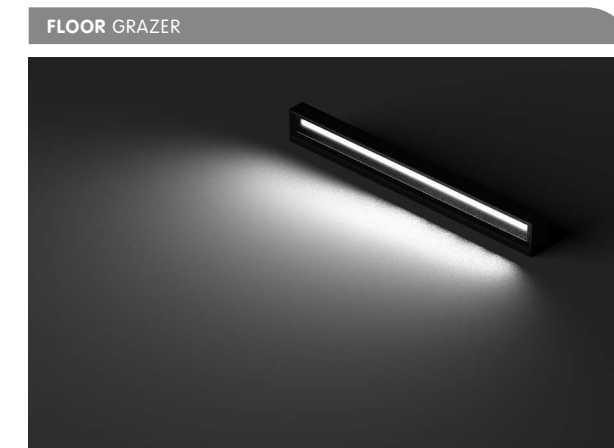
## LIGHT SOURCE

Indirect Light Source : Mid-Power LEDs  
 Luminous Output : Up to 1610lm/m  
 Light Source CCT : 3000K / 3500K / 4000K  
 Color Rendering Index : Ra70 - Ra80  
 Lifetime : L80 B10 @ 70,000 Hrs

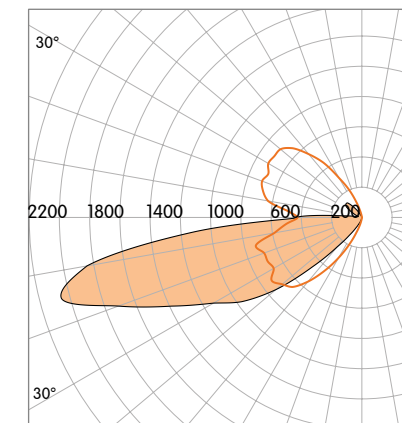
## ELECTRICAL

Input Voltage : 120V / 220V - 240V / UNV  
 120-277V - 50Hz/60Hz  
 Driver Type : Remote  
 Dimming : 0-10V / DALI / ELV  
 Code Compliance : ETL / CSA / CE

## OPTICAL FLEXIBILITY



Floor Grazer



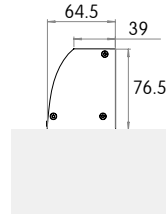
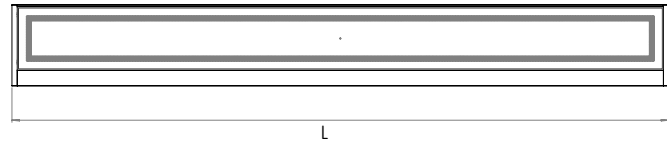
Code example: **TOF**-24B-MUH-G830

Series	Length	Body Finish	Output	Voltage	Dimming	Distribution	CRI	CCT	
<b>TOF</b>	12	300mm	<b>M</b> <sup>1</sup> 33W/mm (1540lm)	<b>1</b> 120V <b>2</b> 220V-240V <b>U</b> Universal 120 to 277V	<b>H</b> Non Dim <b>I</b> 0-10V to 1% <b>K</b> Dali to 1% <b>L</b> ELV	<b>G</b> Floor Grazer	<b>7</b> +70 <b>8</b> +80	<b>30</b> 3000K	
	24	600mm						<b>B</b> Black	<b>35</b> 3500K
								<b>G</b> Grey	<b>40</b> 4000K
								<b>W</b> White <b>X</b> Custom RAL	

Notes:  
<sup>1</sup> Denotes output at 3000K, unless otherwise noted.  
 Consult factory for lead-times.  
 Consult factory for systems using multiple optics and mounting configurations.

**MOUNTING FLEXIBILITY**  
Per Millimeter

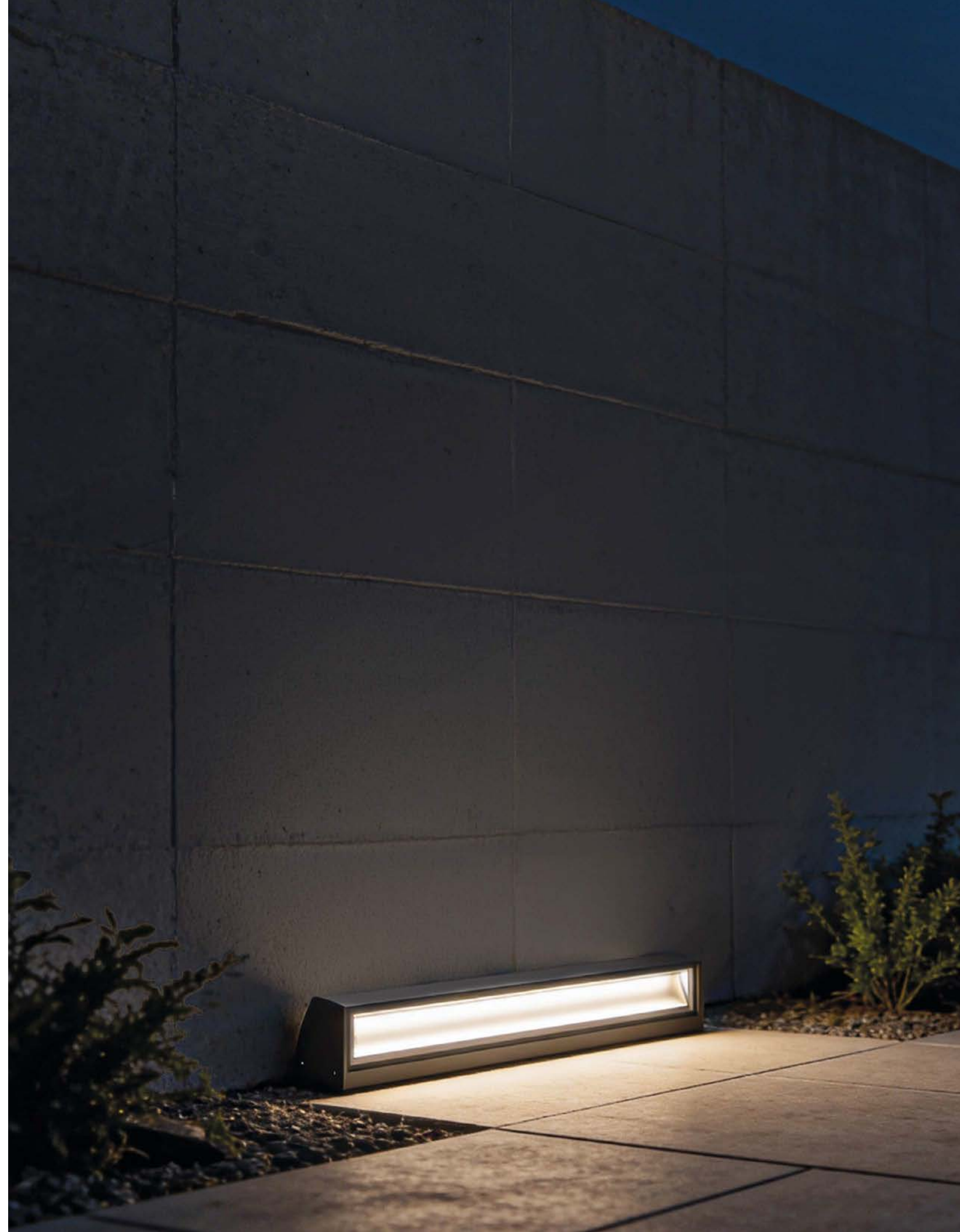
**FLOOR GRAZER**



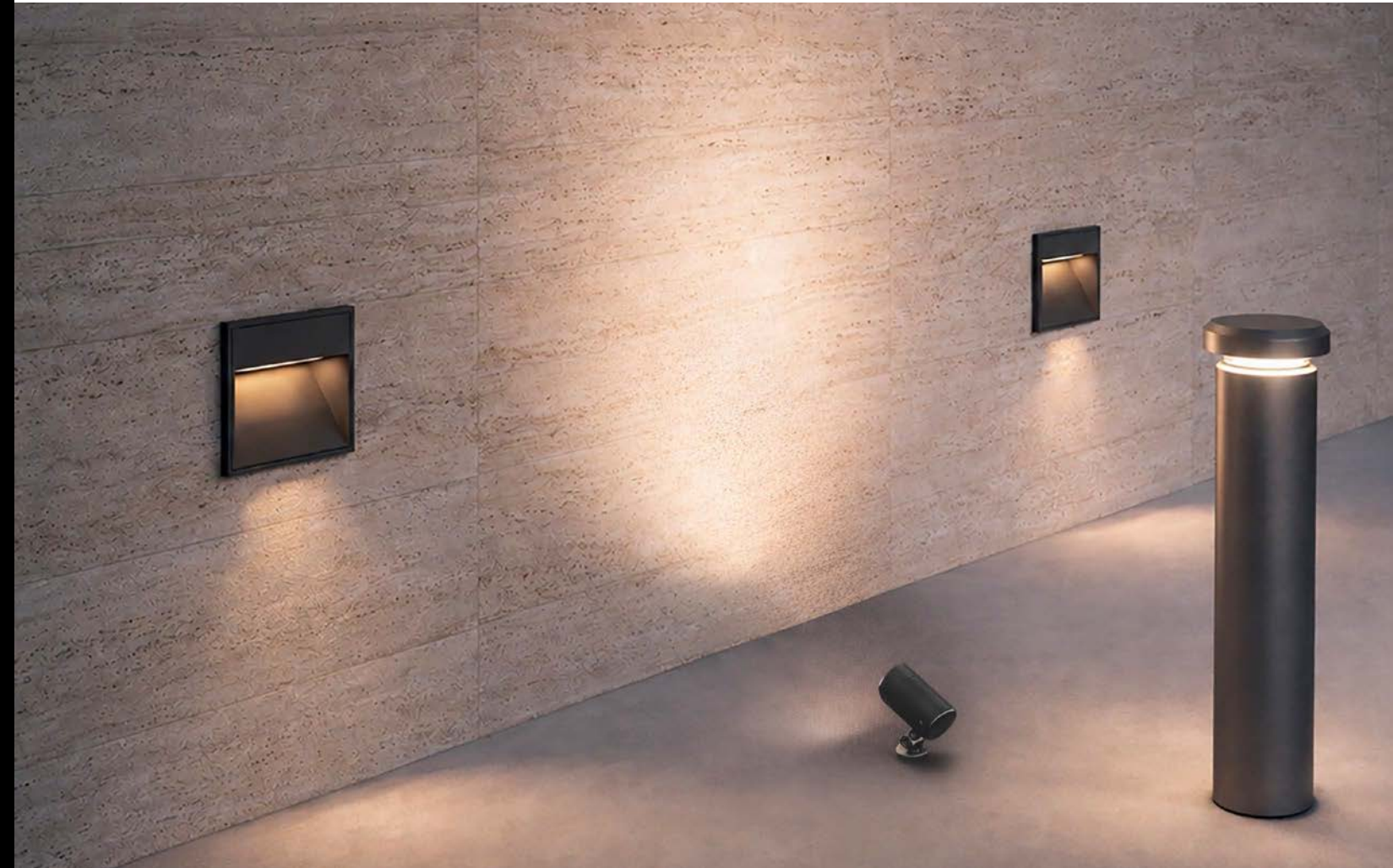
| L= 323 | 623

**DELIVERED LUMEN OUTPUT**  
Per Meter

Output		Watts		
STATIC-WHITE		3000K	3500K	4000K
<b>M</b>	33W	1475 lm	1540 lm	1610 lm



**STRATA**



**Strata Bollar Round**

**Strata Projector**

**Strata Steplight**

As a natural extension of the outdoor collection, STRATA delivers controlled, glare-free illumination, ensuring optimal visual comfort while enhancing vertical and horizontal surfaces with clarity and restraint.

# ROUND BOLLARD



## CONSTRUCTION

Product Type : Bollard  
 Body Material : Aluminum  
 Body Finish : Black / Grey / White  
 Custom RAL  
 IP Rating : IP66  
 IK Rating : IK08

## INSTALLATION

Environment : Outdoor  
 Mounting : Bollard

## OPTICS

Optical Distribution : 180° - 360°

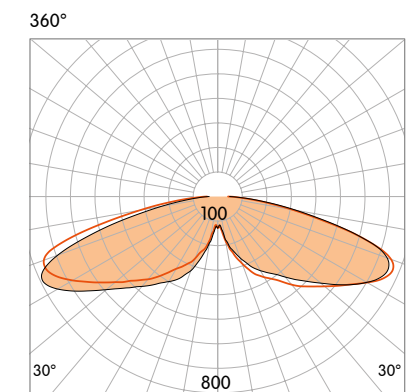
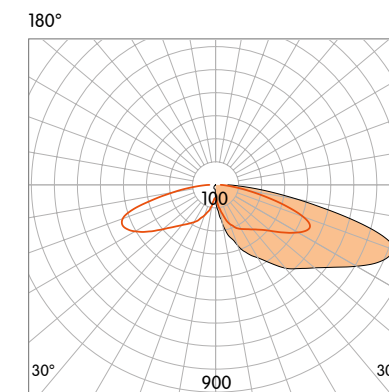
## LIGHT SOURCE

Direct Light Source : Hi-Power LEDs  
 Luminous Output : Up to 2580lm  
 Light Source CCT : 3000K / 3500K / 4000K  
 Color Rendering Index : Ra70 - Ra80  
 Lifetime : L80 B10 @ 70,000 Hrs

## ELECTRICAL

Input Voltage : 120V / 220V - 240V / UNV  
 120-277V - 50Hz/60Hz  
 Driver Type : Integral  
 Dimming : 0-10V / DALI / ELV  
 Code Compliance : ETL / CSA / CE

## OPTICAL FLEXIBILITY



Code example: **SOR** - 3 6 B - LUB - V 8 3 0

Series	Height	Body Finish	Output	Voltage	Dimming	Distribution	CRI	CCT	
<b>SOR</b>	12	300	<b>B</b> Black	<b>L</b> <sup>1</sup> 10W (830lm)	<b>1</b> 120V	<b>A</b> No Dimming	<b>V</b> Type V	<b>7</b> +70	<b>30</b> 3000K
	24	600	<b>G</b> Grey	<b>M</b> <sup>1</sup> 20W (1600lm)	<b>2</b> 220V-240V	<b>B</b> 0-10V to 1%	<b>C</b> Type V 180°	<b>8</b> +80	<b>35</b> 3500K
	36	900	<b>W</b> White	<b>H</b> <sup>1</sup> 30W (2350lm)	<b>U</b> Universal 120 to 277V	<b>D</b> DALI to 1%			<b>40</b> 4000K
			<b>X</b> Custom RAL			<b>E</b> ELV Dimming			

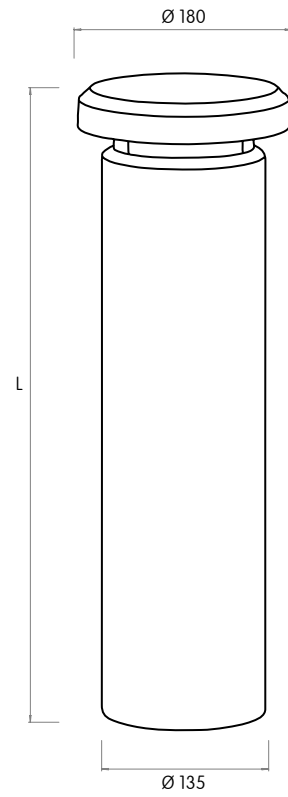
### Notes:

<sup>1</sup> Denotes output at 3000K, unless otherwise noted.

Consult factory for lead-times.  
 Consult factory for systems using multiple optics and mounting configurations.

**MOUNTING FLEXIBILITY**  
Per Millimeter

**BOLLARD**



L = 300 | 600 | 900

**DELIVERED LUMEN OUTPUT**

Output		Watts			
STATIC-WHITE		3000K	3500K	4000K	
L	10W	830 lm	870 lm	910 lm	
M	20W	1600 lm	1680 lm	1760 lm	
H	30W	2350 lm	2460 lm	2580 lm	



# PROJECTOR SYMMETRIC



## CONSTRUCTION

Product Type : Projector  
 Body Material : Aluminum  
 Body Finish : Black / Grey / White  
 Custom RAL  
 IP Rating : IP66  
 IK Rating : IK07

## INSTALLATION

Environment : Outdoor  
 Mounting : Surface Mounted -  
 Spike Mounted - Pole Mounted

## OPTICS

Optical Distribution : Symmetric

## LIGHT SOURCE

Direct Light Source : COB  
 Luminous Output : Up to 2030lm  
 Light Source CCT : 3000K / 3500K / 4000K  
 Color Rendering Index : Ra70 - Ra80  
 Lifetime : L80 B10 @ 70,000 Hrs

## ELECTRICAL

Input Voltage : 120V / 220V - 240V / UNV  
 120-277V - 50Hz/60Hz  
 Driver Type : Integral  
 Dimming : 0-10V / DALI  
 Code Compliance : ETL / CSA / CE

*\*Note: Custom finishes require a MOQ*

Code example: **SPS**-S-B-LUD-S830-0-F

Series	Mounting	Body Finish	Output	Voltage	Dimming	Distribution	CRI	CCT	Accessories	Shields										
<b>SPS</b>	S	Surface Mounted	B	Black	L <sup>1</sup>	10W (950lm)	1	120V	A	Non Dim	N	5°	7	+70	30	3000K	O	No Accessories	H	45° Snoot
	G	Spike Mounted	G	Grey	M <sup>1</sup>	15W (1420lm)	2	220V-240V	B	0-10V to 1%	S	15°	8	+80	35	3500K	C	Clear Lens	F	Full Snoot
	P	Pole Mounted	W	White	M <sup>1</sup>	20W (1850lm)	U	Universal 120 to 277V	D	Dali to 1%	M	25°	40	4000K	D	Diffuse Lens	O	No Snoot		
			X	Custom RAL	F	35°													E	Elliptical Lens
											B	50°			H	Honeycomb Lens				
											E	3°x80°			V	Color Changing				

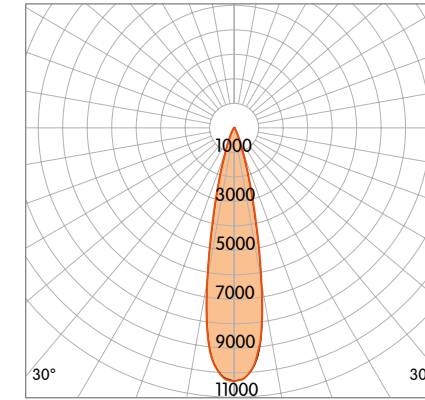
Notes:  
<sup>1</sup> Denotes output at 3000K, unless otherwise noted.

Consult factory for lead-times.  
 Consult factory for systems using multiple optics and mounting configurations.

## OPTICAL FLEXIBILITY

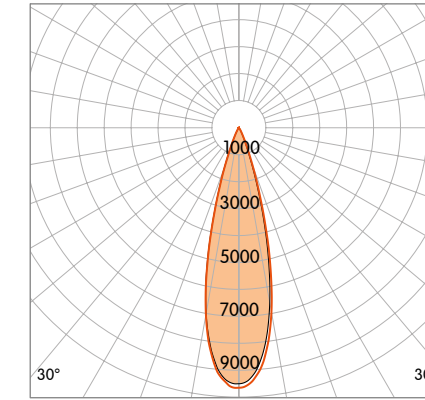
### PROJECTOR NARROW BEAM

Narrow 15°



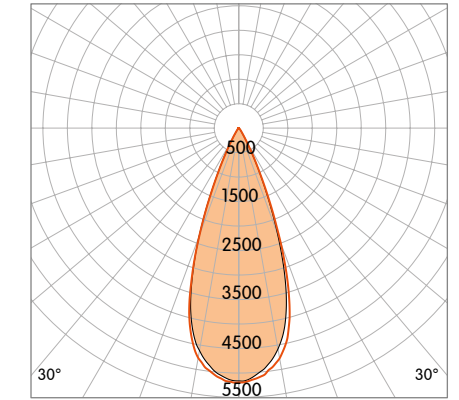
### PROJECTOR MEDIUM BEAM

Medium 25°



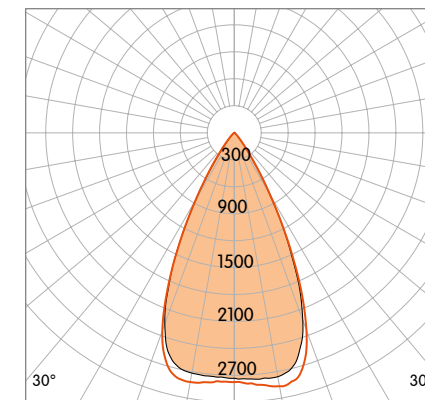
### PROJECTOR FLOOD BEAM

Flood 35°



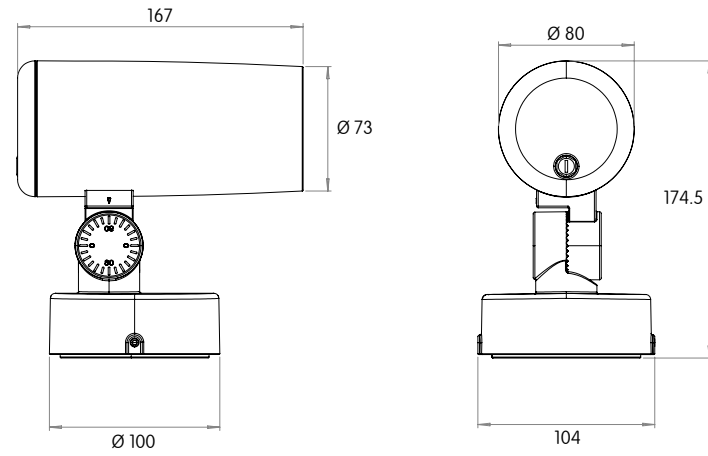
### PROJECTOR WIDE BEAM

Wide 50°

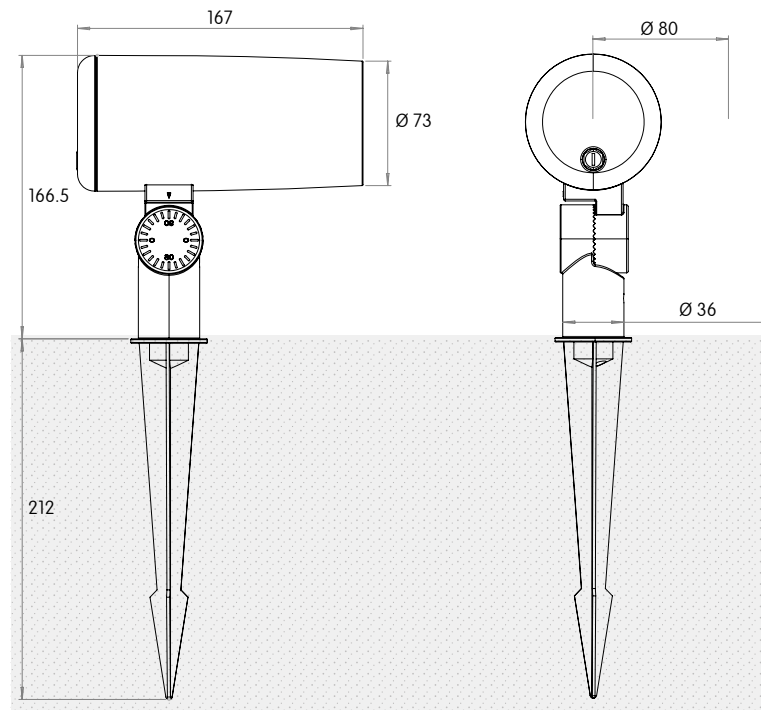


**MOUNTING FLEXIBILITY**  
Per Millimeter

**SURFACE MOUNTED**

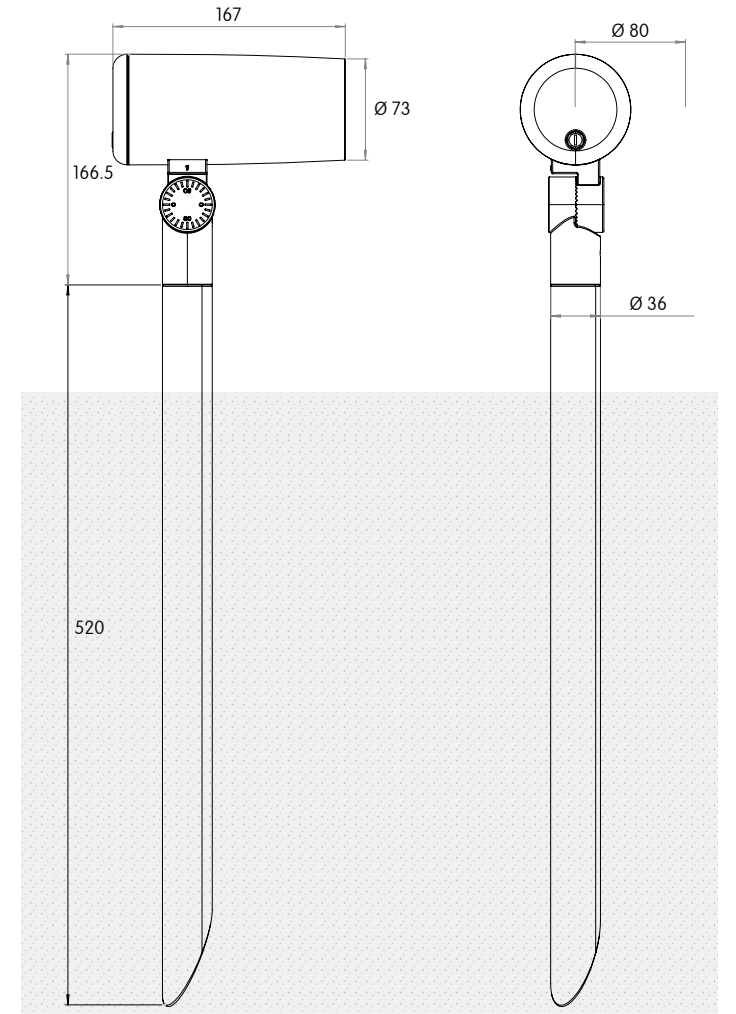


**SPIKE MOUNTED**



**MOUNTING FLEXIBILITY**  
Per Millimeter

**POLE MOUNTED**



**DELIVERED LUMEN OUTPUT**

		Output      Watts			
		3000K	3500K	4000K	
<b>STATIC-WHITE</b>					
<b>L</b>	10W	950 lm	990 lm	1030 lm	
<b>M</b>	20W	1420 lm	1490 lm	1560 lm	
<b>H</b>	30W	1850 lm	1940 lm	2030 lm	



# PROJECTOR WALLWASH

## OPTICAL FLEXIBILITY



### CONSTRUCTION

Product Type : Projector  
 Body Material : Aluminum  
 Body Finish : Black / Grey / White  
 Custom RAL  
 IP Rating : IP66  
 IK Rating : IK07

### INSTALLATION

Environment : Outdoor  
 Mounting : Surface Mounted -  
 Spike Mounted - Pole Mounted

### OPTICS

Optical Distribution : Wallwash

### LIGHT SOURCE

Direct Light Source : COB  
 Luminous Output : Up to 2030lm  
 Light Source CCT : 3000K / 3500K / 4000K  
 Color Rendering Index : Ra70 - Ra80  
 Lifetime : L80 B10 @ 70,000 Hrs

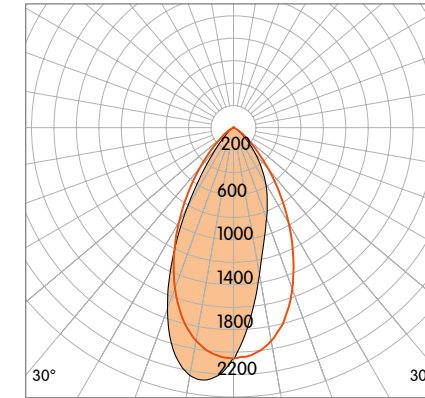
### ELECTRICAL

Input Voltage : 120V / 220V - 240V / UNV  
 120-277V - 50Hz/60Hz  
 Driver Type : Integral  
 Dimming : 0-10V / DALI  
 Code Compliance : ETL / CSA / CE

*\*Note: Custom finishes require a MOQ*

### PROJECTOR WALLWASH

Wallwash



Code example: **SPW** - S - B - LUD - W 830 - F

Series	Mounting	Body Finish	Output	Voltage	Dimming	Distribution	CRI	CCT	Shields	
<b>SPW</b>	S	Surface Mounted	B	L <sup>1</sup> 10W (950lm)	1 120V	A Non Dim	W Wallwash	7 +70	30 3000K	H 45° Snoot
	G	Spike Mounted	G	M <sup>1</sup> 15W (1420lm)	2 220V-240V	B 0-10V to 1%		8 +80	35 3500K	F Full Snoot
	P	Pole Mounted	W	M <sup>1</sup> 20W (1850lm)	U Universal 120 to 277V	D Dali to 1%			40 4000K	O No Snoot
			X	Custom RAL						

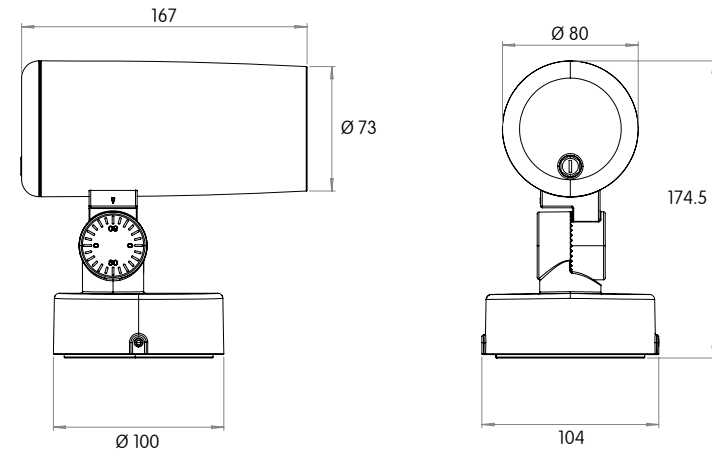
#### Notes:

<sup>1</sup> Denotes output at 3000K, unless otherwise noted.

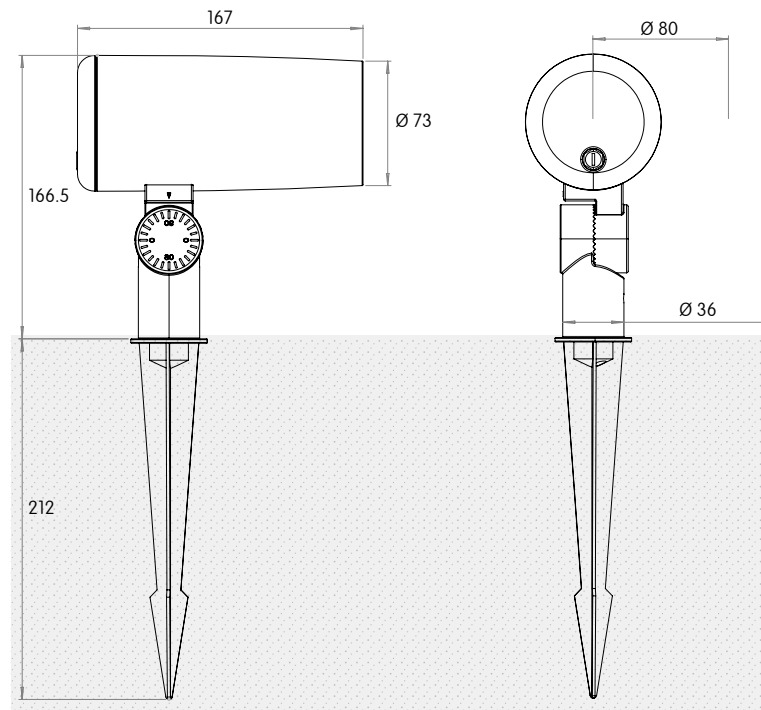
Consult factory for lead-times.  
 Consult factory for systems using multiple optics and mounting configurations.

**MOUNTING FLEXIBILITY**  
Per Millimeter

**SURFACE MOUNTED**

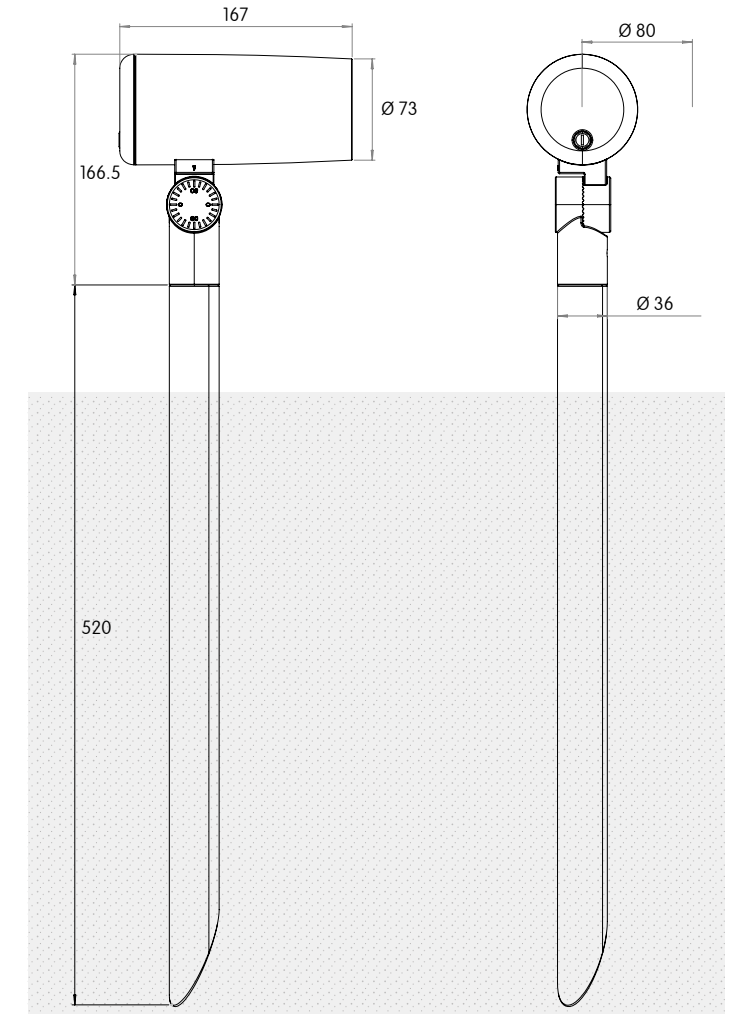


**SPIKE MOUNTED**



**MOUNTING FLEXIBILITY**  
Per Millimeter

**POLE MOUNTED**



**DELIVERED LUMEN OUTPUT**

Output		Watts			
STATIC-WHITE		3000K	3500K	4000K	
L	10W	950 lm	990 lm	1030 lm	
M	20W	1420 lm	1490 lm	1560 lm	
H	30W	1850 lm	1940 lm	2030 lm	

# STEPLIGHT



## CONSTRUCTION

Product Type : Steplight  
 Body Material : Aluminum/Steel  
 Body Finish : Black / Grey / White  
 Custom RAL  
 IP Rating : IP67  
 IK Rating : IK09

## INSTALLATION

Environment : Outdoor  
 Mounting : Wall Recessed

## OPTICS

Optical Distribution : Steplight

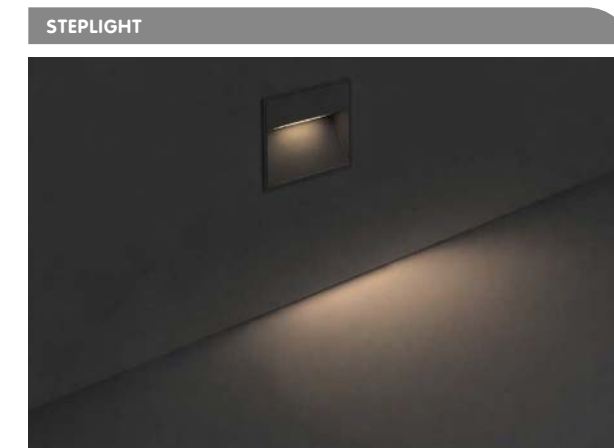
## LIGHT SOURCE

Indirect Light Source : Mid-Power LEDs  
 Luminous Output : Up to 1170lm  
 Light Source CCT : 3000K / 3500K / 4000K  
 Color Rendering Index : Ra70 - Ra80  
 Lifetime : L80 B10 @ 70,000 Hrs

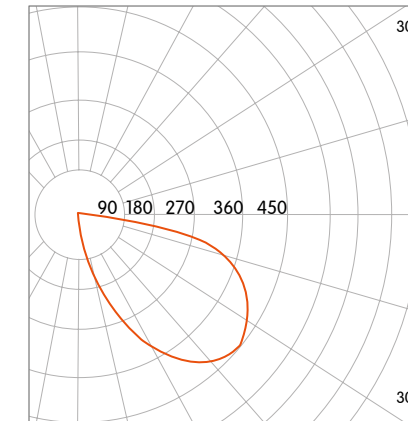
## ELECTRICAL

Input Voltage : 120V / 220V - 240V / UNV  
 120-277V - 50Hz/60Hz  
 Driver Type : Integral  
 Dimming : 0-10V / DALI / ELV  
 Code Compliance : ETL / CSA / CE

## OPTICAL FLEXIBILITY



Steplight Asymmetric Distribution



Code example: **SOT** - W - LUD - B 8 3 0

Series	Body Finish	Output	Voltage	Dimming	Distribution	CRI	CCT
<b>SOT</b>	<b>B</b> Black	<b>L</b> <sup>1</sup> 10W (530lm)	<b>1</b> 120V	<b>A</b> Non Dim	<b>B</b> Wide Beam	<b>7</b> +70	<b>30</b> 3000K
	<b>G</b> Grey	<b>M</b> <sup>1</sup> 15W (750lm)	<b>2</b> 220V-240V	<b>B</b> 0-10V to 1%		<b>8</b> +80	<b>35</b> 3500K
	<b>W</b> White	<b>M</b> <sup>1</sup> 20W (1075lm)	<b>U</b> Universal 120 to 277V	<b>D</b> Dali to 1%			<b>40</b> 4000K
	<b>X</b> Custom RAL			<b>E</b> ELV			

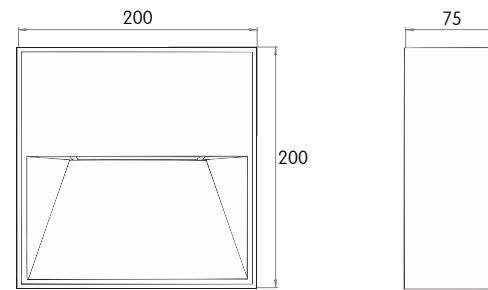
### Notes:

<sup>1</sup> Denotes output at 3000K, unless otherwise noted.

Consult factory for lead-times.  
 Consult factory for systems using multiple optics and mounting configurations.

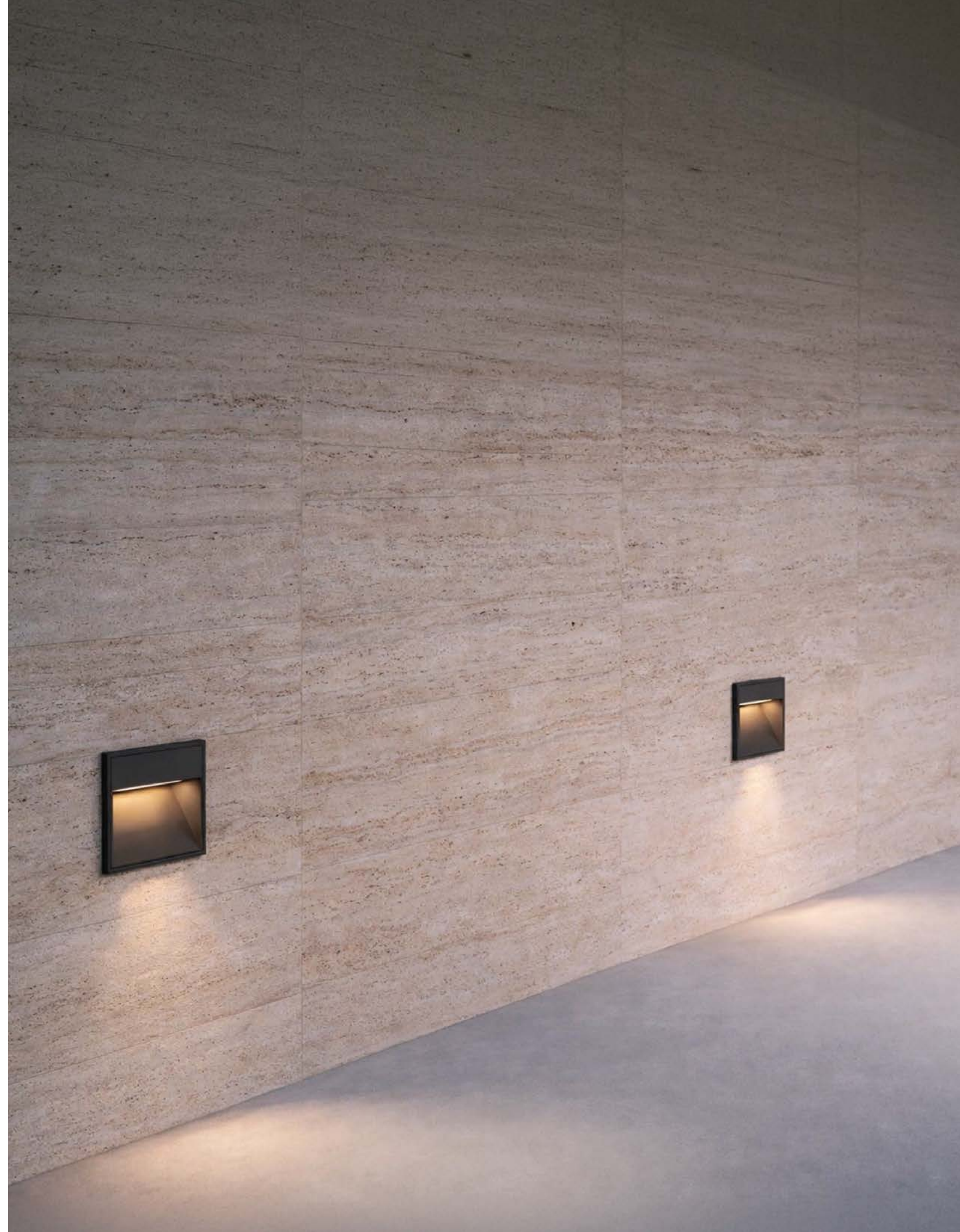
**MOUNTING FLEXIBILITY**  
Per Millimeter

**STEPLIGHT**



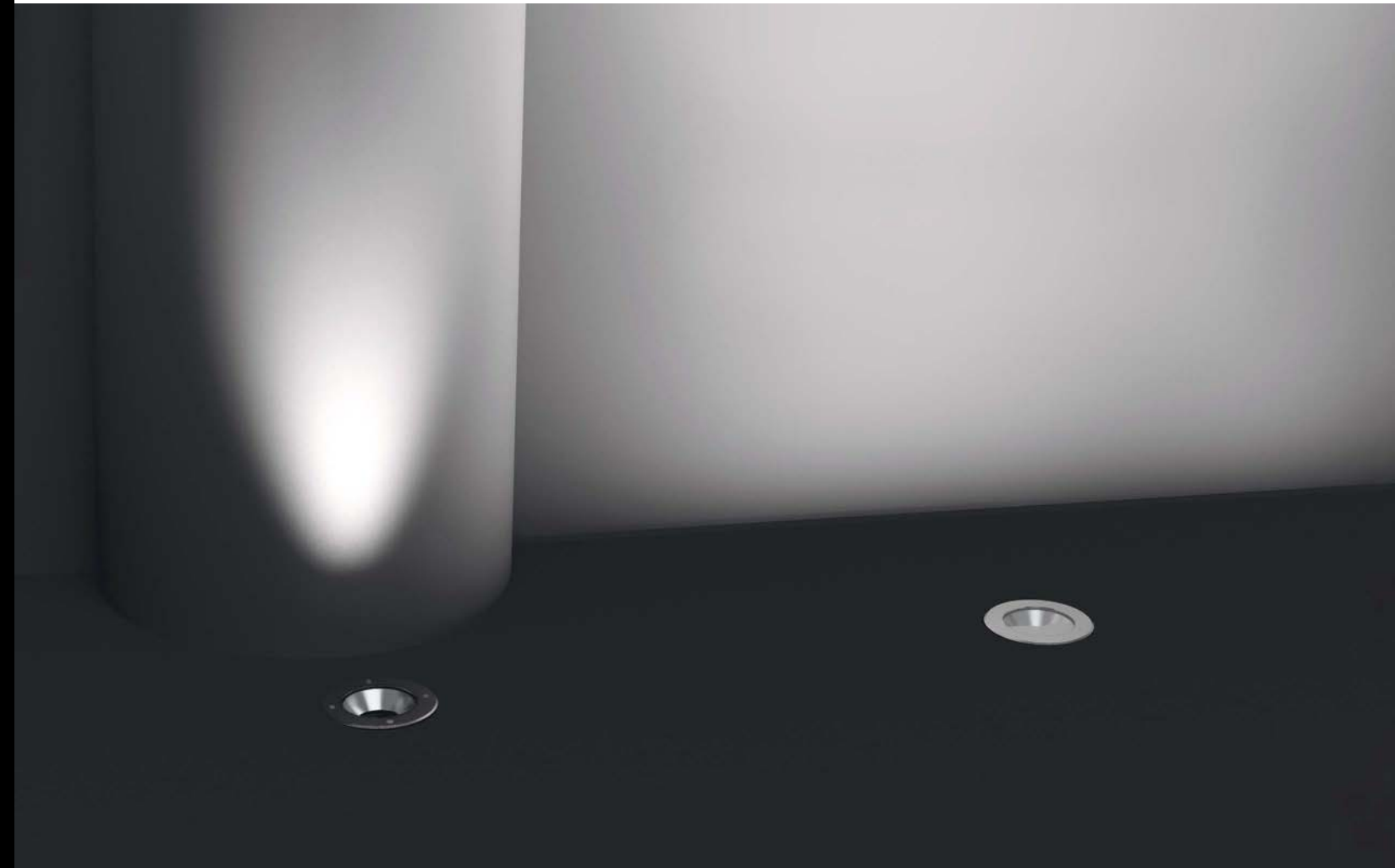
**DELIVERED LUMEN OUTPUT**

Output		Watts			
STATIC-WHITE		3000K	3500K	4000K	
L	10W	530 lm	550 lm	570 lm	
M	15W	750 lm	780 lm	810 lm	
H	20W	1075 lm	1120 lm	1170 lm	



 **hameleon**

UNRIVALED UNIFORMITY



#### Chameleon Uplight Fixed

#### Chameleon Uplight Wallwash

This 4-inch recessed uplight combines durability, elegance, and performance for architectural accent lighting. With a brushed Stainless Steel finish, it blends seamlessly into floors and steps, delivering discreet upward illumination that enhances textures and highlights design features.

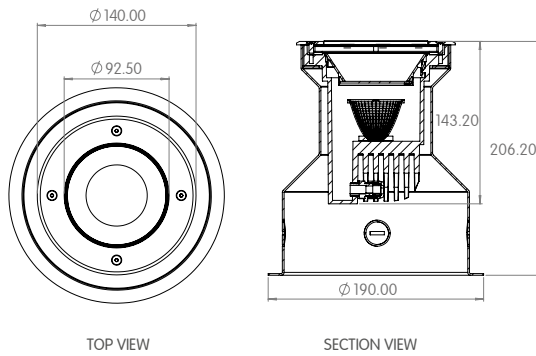
Engineered with high-performing optics, the fixture ensures precise light distribution, minimizing glare while maximizing visual impact. This Uplight accommodates a host of optical accessories like honeycomb louvers and beam shaping lenses to fit any demanding optical performance. Its IP67 protection rating guarantees resistance against dust and temporary immersion in water, making it suitable for both indoor and outdoor applications where reliability is essential.

# UPLIGHTER



- | Beam angles: 10°, 25°, 35°, 50°
- | Optical Accessories: No Accessories, Diffuse Lens, Elliptical Lens, Honeycomb Lens, Solite Lens
- | IP Rating: IP67
- | IK Rating: IK10
- | 3 years limited warranty
- | Wide range of reflectors finishes
- | Trim Finish: Brushed Stainless Steel

Code example: **U4-F**R1S-L10N-W-S930-0



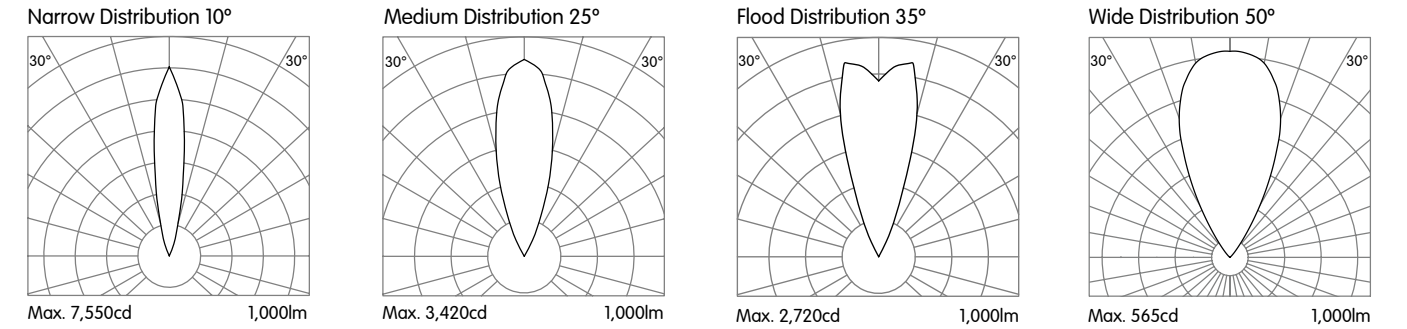
Series	Mounting	Body Color	Output	Voltage
<b>U4-F</b>	RO Round Trimless	S Stainless	L <sup>1</sup> 10W (1100lm)	1 120V
	R1 Round Trim		M <sup>1</sup> 15W (1530lm)	2 220V-240V
			H <sup>1</sup> 22W (2060lm)	U <sup>5</sup> Universal 120 to 277V
			D <sup>2</sup> 10W (735lm)	
			W <sup>2</sup> 18W (1325lm)	
			U <sup>3</sup> 10W (805lm)	
			A <sup>3</sup> 18W (1450lm)	
		C <sup>4</sup> 16W (550lm)		

Control	Housing	Ref. Color	Optics Type	CRI	LED CCT	Accessories
0 Non-Dim	W With	W Flat White	S 10°	9 90	30 3000K	0 No Accessories
1 0-10 to 1%	N Without	B Flat Black	M 25°		35 3500K	C Clear Lens
D Dali		N Black Nickel	F 35°		40 4000K	D <sup>7</sup> Diffuse lens
P Phase ELV & Triac		C Specular Chrome	W 50°			E <sup>8</sup> Elliptical Lens
X <sup>6</sup> DMX		X Custom				H Honeycomb Lens
						S Solite Lens

Notes:  
<sup>1</sup> Denotes output at 3000K, unless otherwise noted.  
<sup>2</sup> Denotes output specific to Dim-to-Warm at 3000K.  
<sup>3</sup> Denotes output specific to Tunable White at full on.  
<sup>4</sup> Denotes output at White, 3000K.  
<sup>5</sup> Not applicable for ELV dimming.  
<sup>6</sup> DMX: 8-bit.  
<sup>7</sup> Diffuse lenses available in different angles.  
<sup>8</sup> Elliptical lenses available in different angles.  
 Consult factory for lead-times.  
 Bold Lighting reserves the right to make technical changes without notice.

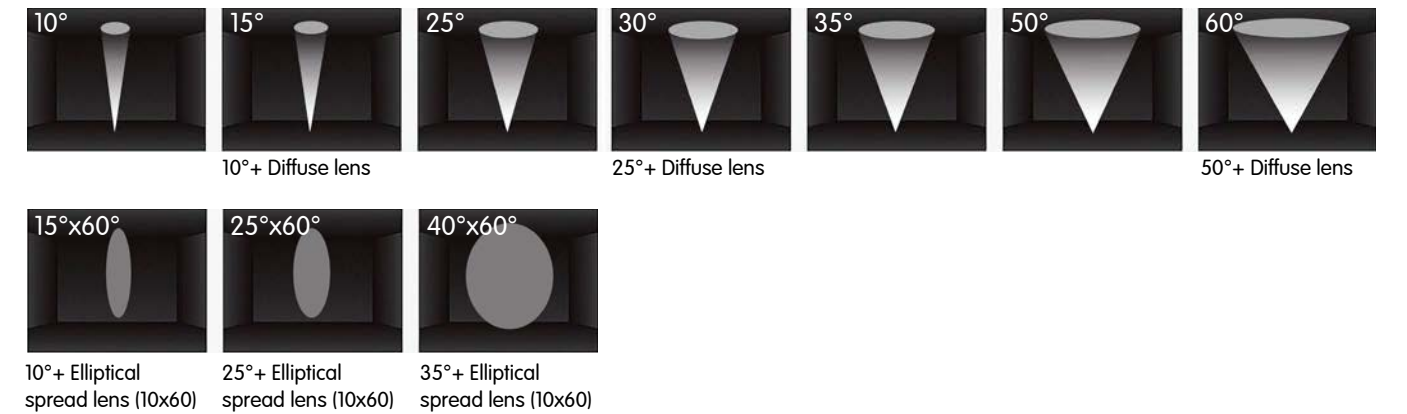
## OPTICAL FLEXIBILITY

### Photometric data: Type C Polar Curves



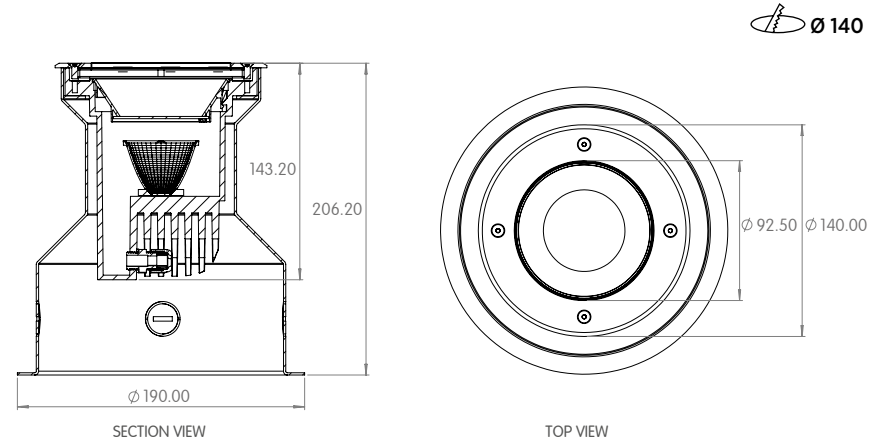
Notes:  
 Other beam distribution available on demand. Please consult factory.

### Beam distribution and combination

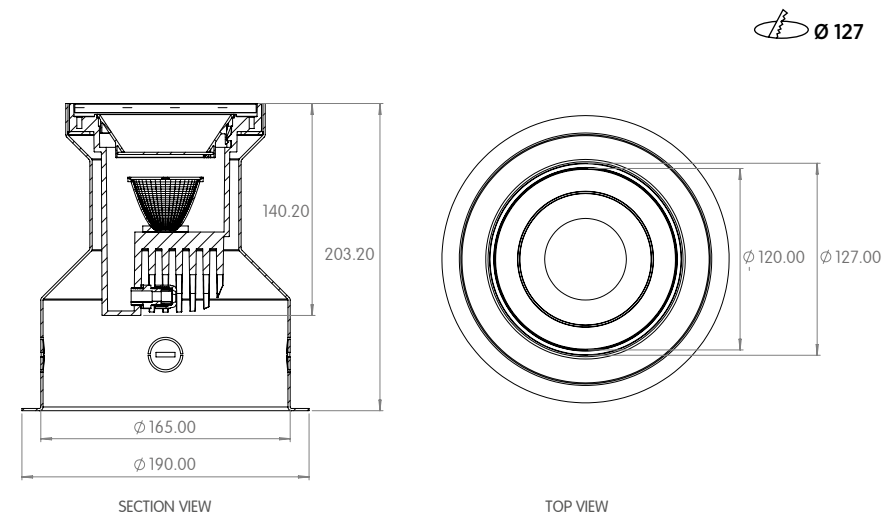
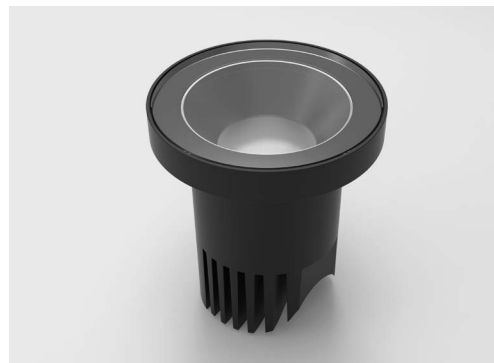


**MOUNTING FLEXIBILITY**  
Per Millimeter

**TRIM UPLIGHT**



**TRIMLESS UPLIGHT**



**DELIVERED LUMEN OUTPUT**

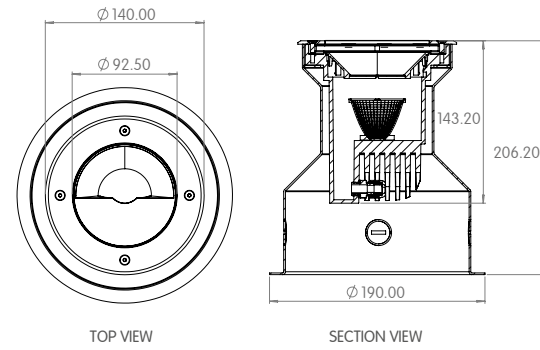
Output	Watts	CRI +90			
<b>STATIC-WHITE</b>		<b>3000K</b>	<b>3500K</b>	<b>4000K</b>	
L	10W	1100 lm	1120 lm	1140 lm	
M	15W	1530 lm	1555 lm	1580 lm	
H	22W	2060 lm	2090 lm	2120 lm	
<b>DIM-TO-WARM 3000K-1800K</b>		<b>3000K</b>			
D	10W	735 lm			
W	18W	1325 lm			
<b>TUNABLE WHITE 2700K-6500K</b>		<b>2700K</b>	<b>6500K</b>		
U	10W	712 lm	805 lm		
A	18W	1280 lm	1450 lm		
<b>RGBW</b>	<b>TOTAL</b>	<b>R</b>	<b>G</b>	<b>B</b>	<b>W</b>
C	16W	80 lm	550 lm	100 lm	370 lm



# UPLIGHTER WALLWASH



- | Beam angle: Washer
- | IP Rating: IP67
- | IK Rating: IK10
- | 3 years limited warranty
- | Wide range of reflectors finishes
- | Trim Finish: Brushed Stainless Steel



Code example: **U4-W**R1S-L10N-W-W930

Series	Mounting	Body Color	Output
<b>U4-W</b>	R0	Round Trimless	S Stainless
	R1	Round Trim	
			L <sup>1</sup> 10W (550lm)
			M <sup>1</sup> 15W (755lm)
			H <sup>1</sup> 22W (1020lm)
			D <sup>2</sup> 10W (355lm)
		W <sup>2</sup> 18W (640lm)	
		U <sup>3</sup> 10W (680lm)	
		A <sup>3</sup> 18W (980lm)	
		C <sup>4</sup> 16W (270lm)	

Voltage	Control	Housing	Ref. Color	Optics Type	CRI	LED CCT
1 120V	O Non-Dim	W With	W Flat White	W Wallwasher	9 90	30 3000K
2 220V-240V	1 0-10 to 1%	N Without	B Flat Black			35 3500K
U <sup>5</sup> Universal 120 to 277V	D Dali		N Black Nickel			40 4000K
	P Phase ELV & Triac		C Specular Chrome			
	X <sup>6</sup> DMX		X Custom			

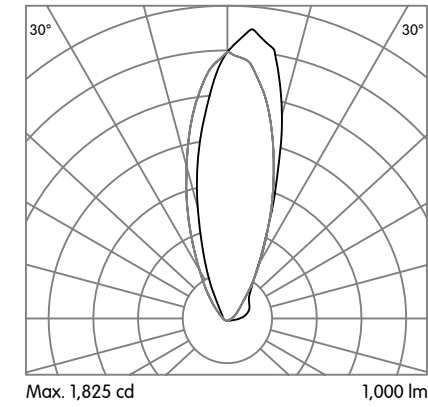
**Notes:**

- <sup>1</sup> Denotes output at 3000K, unless otherwise noted.
  - <sup>2</sup> Denotes output specific to Dim-to-Warm at 3000K.
  - <sup>3</sup> Denotes output specific to Tunable White at full on.
  - <sup>4</sup> Denotes output at White, 3000K.
  - <sup>5</sup> Not applicable for ELV dimming.
  - <sup>6</sup> DMX: 8-bit.
- Consult factory for lead-times.  
Bold Lighting reserves the right to make technical changes without notice.

## OPTICAL FLEXIBILITY

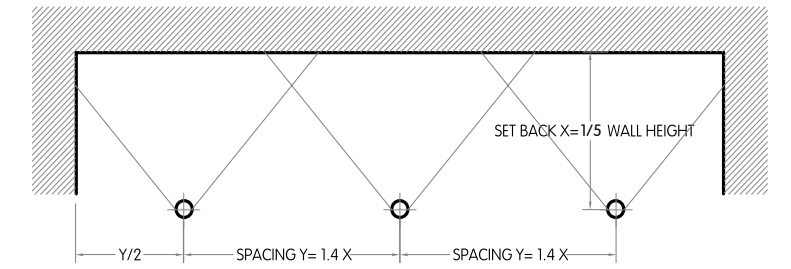
### Photometric data: Type C Polar Curves

Wallwash Distribution



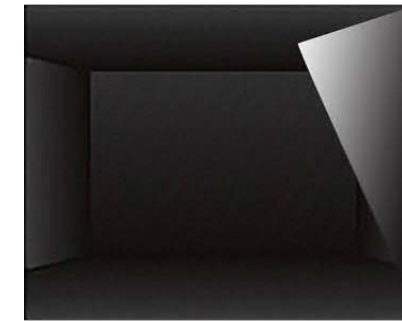
Wallwasher optimal spacing

Plan View



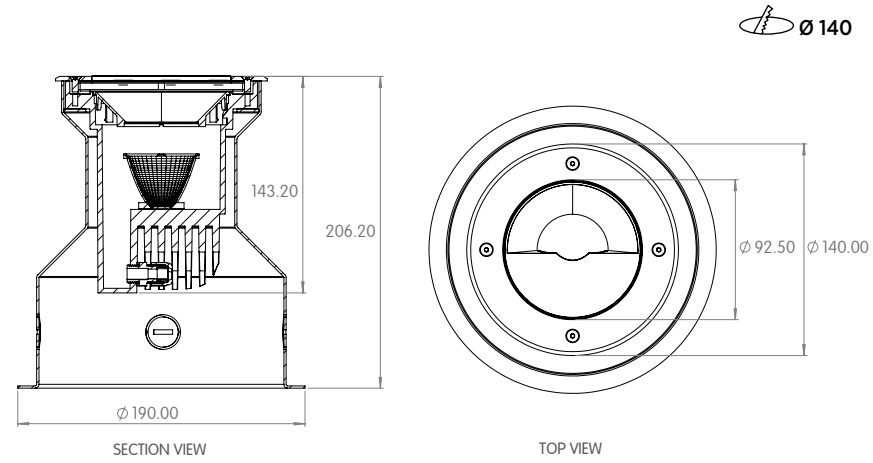
### Beam distribution

Wallwash

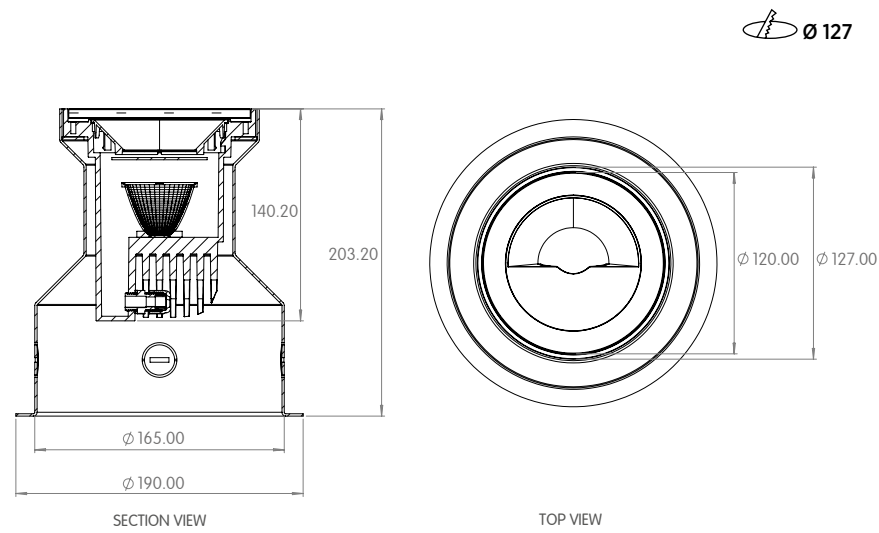


**MOUNTING FLEXIBILITY**  
Per Millimeter

**TRIM UPLIGHT**



**TRIMLESS UPLIGHT**



**DELIVERED LUMEN OUTPUT**

Output		Watts		CRI +90			
<b>STATIC-WHITE</b>				<b>3000K</b>	<b>3500K</b>	<b>4000K</b>	
<b>L</b>	10W			550 lm	555 lm	565 lm	
<b>M</b>	15W			755 lm	765 lm	780 lm	
<b>H</b>	22W			1020 lm	1035 lm	1050 lm	
<b>DIM-TO-WARM</b>				<b>3000K</b>			
<b>D</b>	10W			355 lm			
<b>W</b>	18W			640 lm			
<b>TUNABLE WHITE</b>				<b>2700K</b>	<b>6500K</b>		
<b>U</b>	10W			600 lm	680 lm		
<b>A</b>	18W			800 lm	980 lm		
<b>RGBW</b>	<b>TOTAL</b>	<b>R</b>	<b>G</b>	<b>B</b>	<b>W</b>		
<b>C</b>	16W	40 lm	270 lm	45 lm	180 lm		

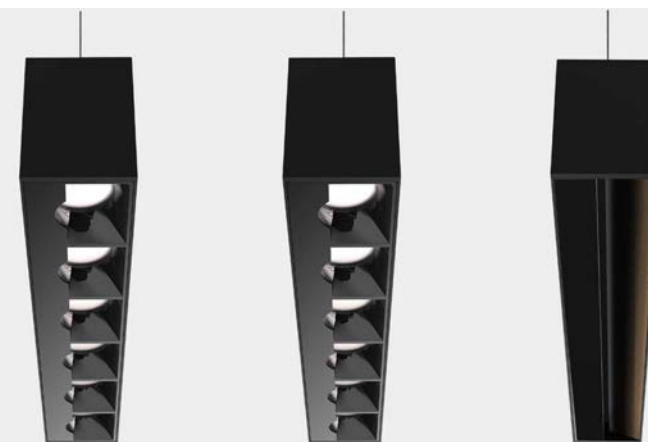
LINEAR

# BILLET

BREAKING THE WALL



## Asymmetric Applications

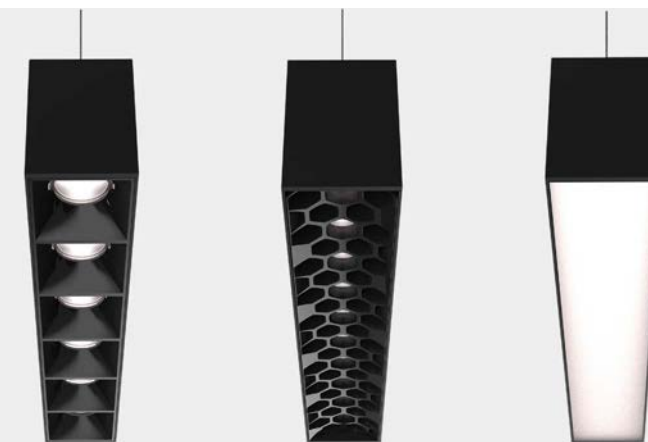


Wallgrazer

Wallwasher

Stealth

## Ambient Applications



Symmetric Baffles

Honeycomb

Opal

Billet is Bold's linear family of indoor and outdoor products, designed specifically for recessed applications.

Whether for inground, ceiling, millwork or wall-recessed applications, Billet allows you to maintain the same optical performance, light consistency, and overall aesthetics across the entire project, both indoor and outdoor.

Billet delivers bold vertical illumination with minimal glare thanks to the unique baffle system designed specifically for this product. The Billet confidently delivers a flawless light distribution and beautifully finished look.

Our team worked meticulously to unify the baffle design of the Wallwasher, the Wallgrazer and the general illumination products into a homogenous form which would reflect the unity and harmony this system provides throughout a space.

**The Billet Wallgrazer** delivers bold vertical illumination with minimal glare thanks to the unique baffle system designed specifically for this product. The Billet confidently delivers a flawless graze and beautifully finished look.

**The Billet Wallwasher** delivers bold vertical illumination with minimal glare, thanks to its precisely designed baffle system. Billet's unmatched wallwash provides even illumination of vertical surfaces, with exceptional uniformity (Max:Min. < 3:1) at a flexible setback 1/8 to 1/5 of the wall height. The optics on the Wallwasher were thoughtfully engineered to allow a flexible setback of

the fixture from the wall, while maintaining an outstanding performance. Billet sets itself apart by being a forgiving system, yet unforgiving in its performance and quality.

**The Billet Stealth** Reflector product is a natural expansion of the indirect performance optics range developed by Bold to enhance visual comfort. The Stealth offers an outstanding wallwash illumination with virtually zero glare. The outstanding uniformity of the wallwash effect translates in a 3:1 max. to min. illumination ratio. Its 100% indirect light optic ensures a complete shielding of its light source. This proprietary optic allows a vertical illumination starting at the Zero point of the fixture while maintaining a flush position of the optic.

Stealth offers a minimalistic aesthetic with its 1" continuous slot and the ability to have the flush light shield and the interior of the fixture in various finishes and colors to match any required surface. This proprietary optic promotes human-centric lighting with its glare-free attributes and its ability to mix colors perfectly, allowing tunable white and dim to warm applications.

**The Billet Symmetrical Baffles** offer a sleek aesthetic while providing uncompromising performance and exceptional glare control. Available in multiple distributions and sizes, the Billet is perfect for any environment.

Adding to the elegance of the fixture, **Billet Honeycomb TIR** offers a special honeycomb louver for general illumination. Extensive R&D was put into the louver design to ensure maximum optical performance without interfering with the LEDs emitted rays causing multiple projected shadows. The result was a fixture which offered unparalleled visual comfort, performance, and a new take on the traditional louver aesthetic.

**Billet's Opal lens** offers a continuous line of illumination with excellent performance. Unlike traditional slot lights, Billet Indoor Opal maintains the same form factor and aesthetics for both indoor and outdoor.



## BILLET INDOOR

# BAFFLED WALLGRAZER



## CONSTRUCTION

**Product Type :** Linear  
**Body Material :** Extruded Aluminum  
**Body Finish :** Black / Grey / White / Custom RAL  
**IP Rating :** IP20  
**Chicago plenum rated**

## INSTALLATION

**Environment :** Dry / Damp Location  
**Mounting :** Ceiling Recessed (Trim & Trimless) / Wall Recessed (Trim & Trimless) / Millwork / Surface Mounted / Pendant  
**Dimensions :** Refer to dimension table

## OPTICS

**Optical Distribution :** Wallgraze

## LIGHT SOURCE

**Direct Light Source :** Hi-power LEDs  
**Luminous Output :** from 1445lm/m to 5540lm/m (Delivered)  
**Light Source CCT :** 2700K / 3000K / 3500K 4000K / Tunable White (2700K-5000K) / Dim-to-Warm (3000K-1800K) / RGBW  
**Color Rendering Index :** Ra90  
**Lifetime :** L80 B10 @ 70,000 Hrs

## ELECTRICAL

**Input Voltage :** 220-240V / UNV 120-277V - 50Hz/60Hz  
**Load :** 16W/m to 66W/m  
**Output Type :** Constant Current  
**Driver Type :** Integral  
**Dimming :** 0-10V / DALI / ELV / DMX / Lutron Hi-Lume  
**Code Compliance :** ETL / CSA / CE

Series	Mounting	Nominal Length <sup>1</sup>
<b>BIW</b>	R Recessed with Trim	12 300 mm
	T Recessed Trimless	24 600 mm
	S Surface Mounted	36 900 mm
	P Pendant	48 1200 mm
	M Millwork	60 1500 mm
	W Wall Mounted	72 1800 mm
		84 2100 mm
		96 2400 mm
		108 2700 mm
		120 3000 mm
	XX Custom mm	

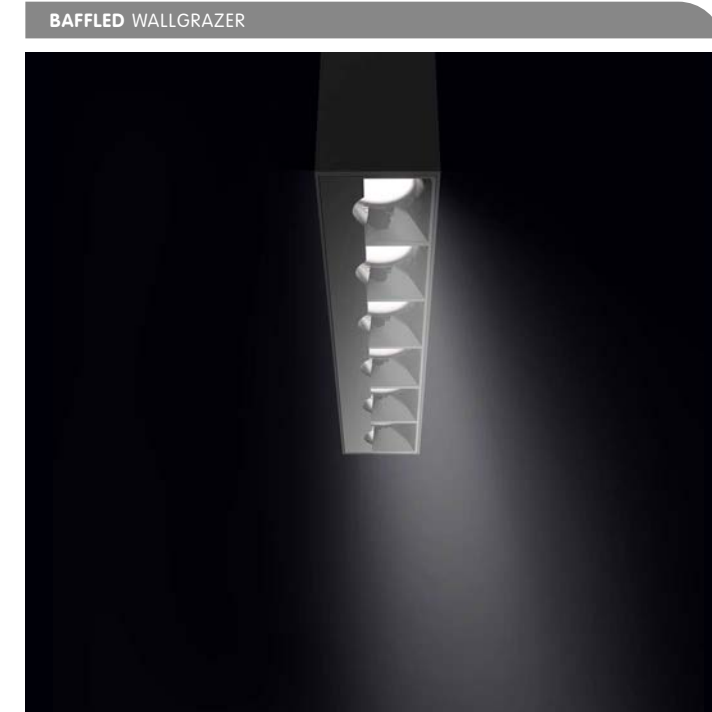
For custom lengths and shapes, consult factory.  
 For exact lengths refer to dimensions table.

Code example: **BIW** - P12W-L2B-W-G927-0

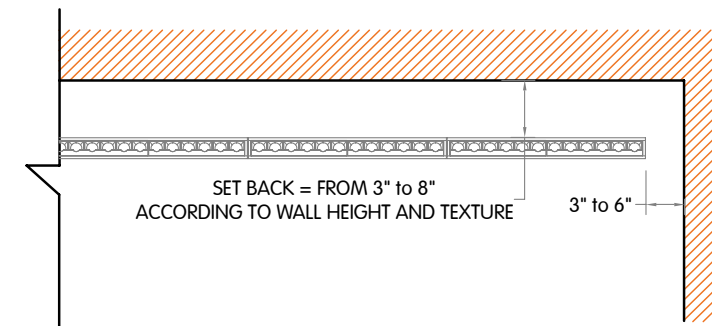
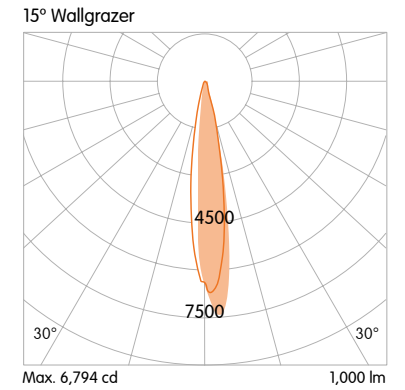
Body Finish	Output	Voltage	Dimming	Baffles	Beam Angle	CRI	Color Temp	Emergency
B Black	L <sup>2</sup> 1650lm/m (16W)	2 220-240V	A No Dimming	W Flat White	G Grazer	9 +90	27 2700K	0 No
G Grey	M <sup>2</sup> 2860lm/m (33W)			B Flat Black			30 3000K	
W White	H <sup>2</sup> 4010lm/m (49W)	U Universal 120 to 277V	D DALI to 1% E ELV Dimming F DMX G <sup>6</sup> LUTRON	N Black Nickel			35 3500K	
X Custom RAL	V <sup>2</sup> 5175lm/m (66W)			C Specular Chrome			40 4000K	
	D <sup>3</sup> 1565lm/m (26W)			E Diffuse Gold			WD 3000K-1800K	
	W <sup>3</sup> 4445lm/m (59W)			X Custom			TW 2700K - 5000K	
	U <sup>4</sup> 2425lm/m (33W)			RGBW is only available for Specular Chrome and Black Nickel reflector finishes.			CC <sup>7</sup> RGBW	
	A <sup>4</sup> 4450lm/m (66W)							
	C <sup>5</sup> 3740lm/m (66W)							

**Notes:**  
<sup>1</sup> 150 mm length increments available as a modification.  
<sup>2</sup> Denotes output at 3000K, unless otherwise noted.  
<sup>3</sup> Denotes output specific to Dim-to-Warm at 3000K.  
<sup>4</sup> Denotes output specific to Tunable White at full on.  
<sup>5</sup> Denotes RGBW (C) output with all colors at full power.  
<sup>6</sup> Hi-lume, Vive, and Athena compatible.  
<sup>7</sup> Only available with DMX dimming.  
<sup>8</sup> Not applicable for integral driver.  
 Consult factory for lead-times.  
 Consult factory for systems using multiple optics and mounting configurations.

## OPTICAL FLEXIBILITY



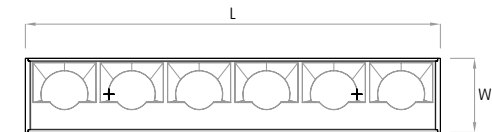
Billet wallgrazer delivers maximum performance for emphasizing textured and rough vertical surfaces. The standard output illuminates walls up to 14'-0" with outstanding transversal and longitudinal glare control.



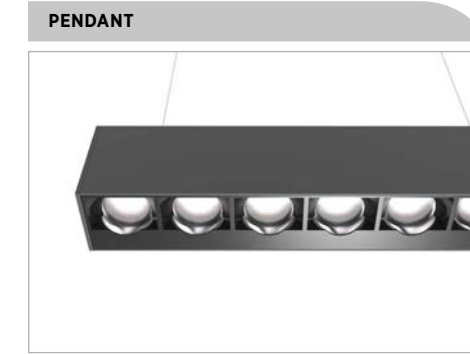
**MOUNTING FLEXIBILITY**  
Per Millimeter



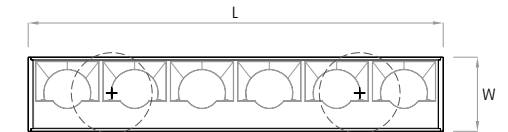
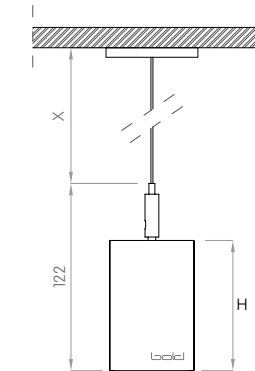
Actual (mm)  
L= 308 | 608 | 908 | 1208 | 1508 | 1808 | 2108 | 2408 | 2708  
3008 | Continuous runs  
W= 55  
H= 85



**MOUNTING FLEXIBILITY**  
Per Millimeter



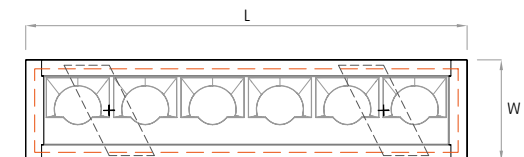
Actual (mm)  
L= 308 | 608 | 908 | 1208 | 1508 | 1808 | 2108 | 2408 | 2708  
3008 | Continuous runs  
W= 55  
H= 85  
X= 1500 or 3000



**Note:**  
Pendants are provided with a default 5ft gray electric feed. Please request a modification if a different length or color is required.



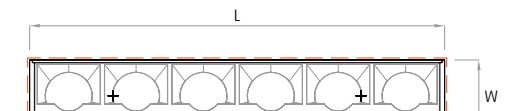
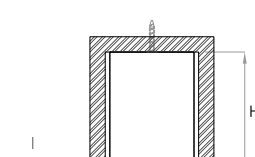
Actual (mm)  
L= 328 | 628 | 928 | 1228 | 1528 | 1828 | 2128 | 2428 | 2728  
3028 | Continuous runs  
W= 75  
H= 85



(L-13 x W-13)



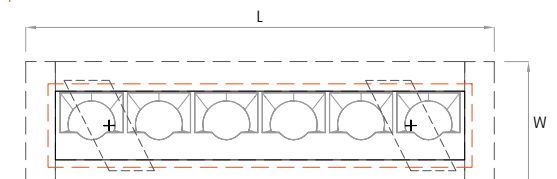
Actual (mm)  
L= 308 | 608 | 908 | 1208 | 1508 | 1808 | 2108 | 2408 | 2708  
3008 | Continuous runs  
W= 55  
H= 85



(L+3 x W+3)



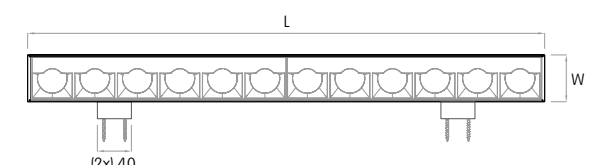
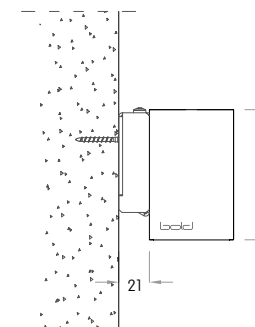
Actual (mm)  
L= 348 | 648 | 948 | 1248 | 1548 | 1848 | 2148 | 2448 | 2748  
3048 | Continuous runs  
W= 95  
H= 85



(L-33 x W-33)



Actual (mm)  
L= 308 | 608 | 908 | 1208 | 1508 | 1808 | 2108 | 2408 | 2708  
3008 | Continuous runs  
W= 55  
H= 85



## DELIVERED LUMEN OUTPUT

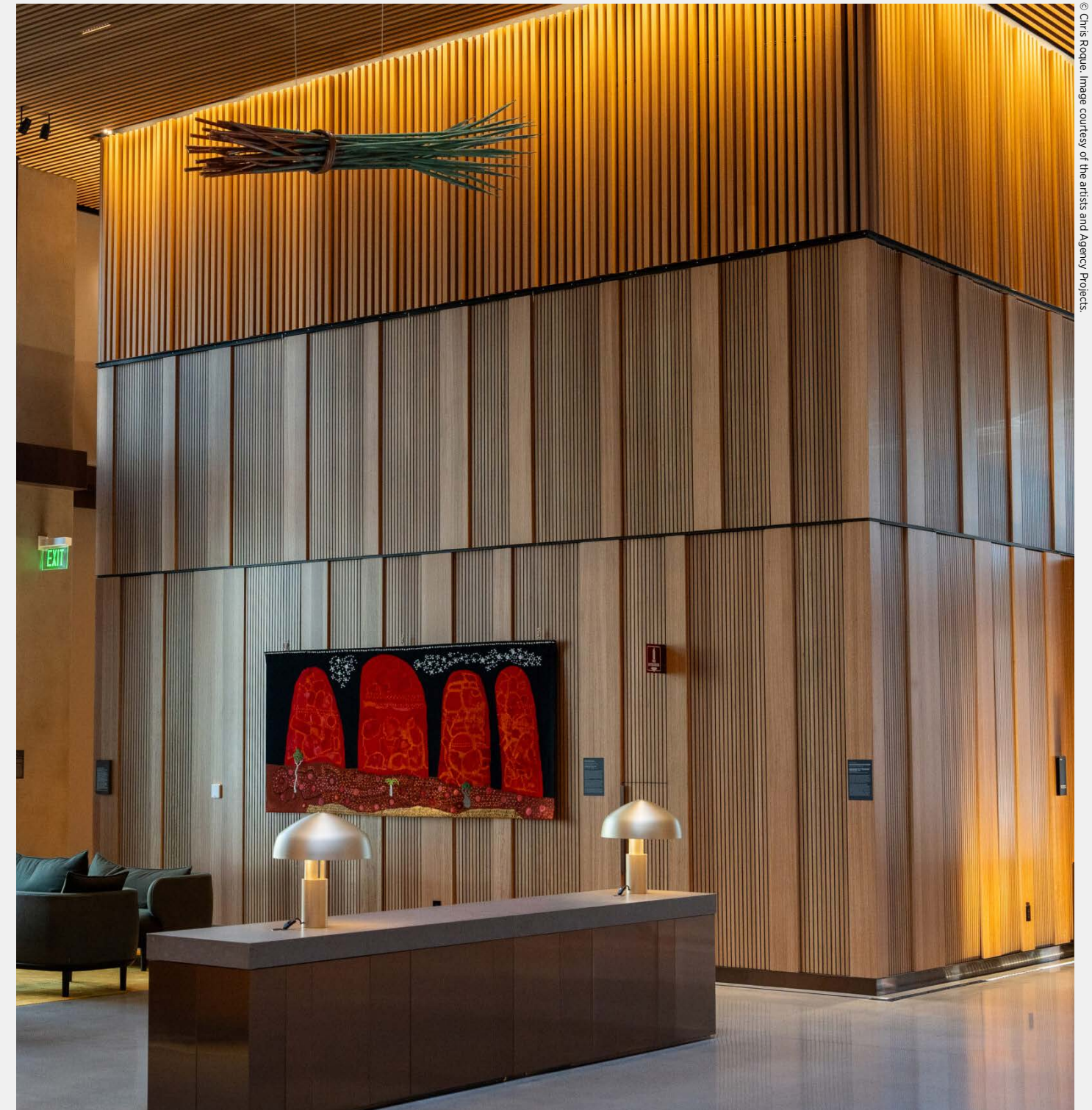
Per Meter

Output		Watts		CRI +90							
<b>STATIC-WHITE</b>			<b>2700K</b>	<b>3000K</b>	<b>3500K</b>	<b>4000K</b>					
<b>L</b>	16W		1445 lm	1650 lm	1560 lm	1590 lm					
<b>M</b>	33W		2695 lm	2860 lm	2910 lm	2965 lm					
<b>H</b>	49W		3925 lm	4010 lm	4240 lm	4315 lm					
<b>V</b>	66W		5035 lm	5175 lm	5440 lm	5540 lm					
<b>DIM-TO-WARM 3000K-1800K</b>				<b>3000K</b>							
<b>D</b>	26W			1565 lm							
<b>W</b>	59W			4445 lm							
<b>TUNABLE WHITE 2700K-5000K</b>			<b>2700K</b>			<b>5000K</b>					
<b>U</b>	33W		2425 lm			2425 lm					
<b>A</b>	66W		4450 lm			4450 lm					
<b>RGBW</b>			<b>R</b>	<b>G</b>	<b>B</b>	<b>W</b>					
<b>C</b>	66W		2300 lm	3740 lm	575 lm	3560 lm					

## DIMENSIONS TABLE

Per Meter

		12	24	36	48	60	72	84	96	108	120	
	Height	Width										
		Actual Length										
<b>Surface Mounted</b>	85	55	308	608	908	1208	1508	1808	2108	2408	2708	3008
<b>Recessed with Trim</b>	85	75	328	628	928	1228	1528	1828	2128	2428	2728	3028
<b>Recessed Trimless</b>	85	95	348	648	948	1248	1548	1848	2148	2448	2748	3048
<b>Pendant</b>	85	55	308	608	908	1208	1508	1808	2108	2408	2708	3008
<b>Millwork</b>	85	55	308	608	908	1208	1508	1808	2108	2408	2708	3008
<b>Wall Mounted</b>	85	55	308	608	908	1208	1508	1808	2108	2408	2708	3008



© Chris Roque. Image courtesy of the artists and Agency Projects.

*Australian Embassy  
Washington DC, MD  
Lighting Design: Electrolight*

# BAFFLED WALLGRAZER

## Direct/Indirect



### CONSTRUCTION

**Product Type :** Linear  
**Body Material :** Extruded Aluminum  
**Body Finish :** Black / Grey / White  
 Custom RAL  
**IP Rating :** IP20  
**Chicago plenum rated**

### INSTALLATION

**Environment :** Dry / Damp Location  
**Mounting :** Pendant / Wall Mounted  
**Dimensions :** Refer to dimension table

### OPTICS

**Optical Distribution :** Direct - Wallgraze  
 Indirect - Lambertian / Batwing

### LIGHT SOURCE

**Direct Light Source :** Hi-power LEDs  
 Mid-power LEDs

**Luminous Output :** [ Direct - from 1445lm/m to 5540lm/m (Delivered) ]  
 [ Indirect - from 1110lm/m to 4755lm/m (Delivered) ]  
**Light Source CCT :** 2700K / 3000K / 3500K  
 4000K / Tunable White (2700K-5000K)  
 Dim-to-Warm (3000K-1800K) / RGBW  
**Color Rendering Index :** Ra90  
**Lifetime :** L80 B10 @ 70,000 Hrs

### ELECTRICAL

**Input Voltage :** 220-240V / UNV 120-277V - 50Hz/60Hz  
**Load :** 16W/m to 66W/m  
**Output Type :** Constant Current  
**Driver Type :** Integral  
**Dimming :** 0-10V / DALI / ELV / DMX  
 Lutron Hi-Lume  
**Code Compliance :** ETL / CSA / CE

Series	Mounting	Nominal Length <sup>1</sup>	Body Finish		
<b>BIWO</b>	A4	Pendant (Aircraft Cable-4')	24 600 mm	W White	
	P2	Pendant (Rigid Stem-2')	36 900 mm	B Black	
	P3	Pendant (Rigid Stem-3')	48 1200 mm	G Grey	
	P4	Pendant (Rigid Stem-4')	60 1500 mm	X Custom RAL	
	W0	Wall Mounted	72	1800 mm	
			84	2100 mm	
			96	2400 mm	
			108	2700 mm	
			120	3000 mm	
			XX	Custom mm	

For custom lengths and shapes, consult factory.  
For exact lengths refer to dimensions table.

Code example: **BIWO** - A424W-LL2B-W-GL927-0

Output (Direct) <sup>1</sup>	Output (Indirect) <sup>1</sup>	Voltage	Dimming	Baffles	Distribution (Direct)	Distribution (Indirect)	CRI	Color Temp	Emergency
L <sup>2</sup> 1650lm/m (16W)	L <sup>2</sup> 1175lm/m (16W)	2 220-240V	A No Dimming	W Flat White	G Grazer	B <sup>7</sup> Batwing	9 +90	27 2700K	0 No
M <sup>2</sup> 2860lm/m (33W)	M <sup>2</sup> 2360lm/m (33W)	U Universal 120 to 277V	B 0-10V to 1%	B Flat Black		L Opal		30 3000K	9 <sup>8</sup> 90 mins
H <sup>2</sup> 4010lm/m (49W)	H <sup>2</sup> 3540lm/m (49W)		D DALI to 1%	N Black Nickel		35 3500K			
V <sup>2</sup> 5175lm/m (66W)	V <sup>2</sup> 4525lm/m (66W)		E ELV Dimming	C Specular Chrome		40 4000K			
D <sup>3</sup> 1565lm/m (26W)	U <sup>3</sup> 2480lm/m (33W)		F DMX	E Diffuse Gold		WD 3000K-1800K			
W <sup>3</sup> 4445lm/m (59W)	A <sup>3</sup> 4755lm/m (66W)		G <sup>6</sup> LUTRON	X Custom		TW 2700K-5000K			
U <sup>4</sup> 2425lm/m (33W)						CC RGBW			
A <sup>4</sup> 4450lm/m (66W)									
C <sup>5</sup> 3740lm/m (66W)									

#### Notes:

<sup>1</sup> 150 mm length increments available as a modification.

<sup>2</sup> Denotes output at 3000K, unless otherwise noted.

<sup>3</sup> Denotes output specific to Dim-to-Warm at 3000K.

<sup>4</sup> Denotes output specific to Tunable White at full on.

<sup>5</sup> Denotes RGBW (C) output with all colors at full power.

<sup>6</sup> Hi-Lume, Vive, and Athena compatible.

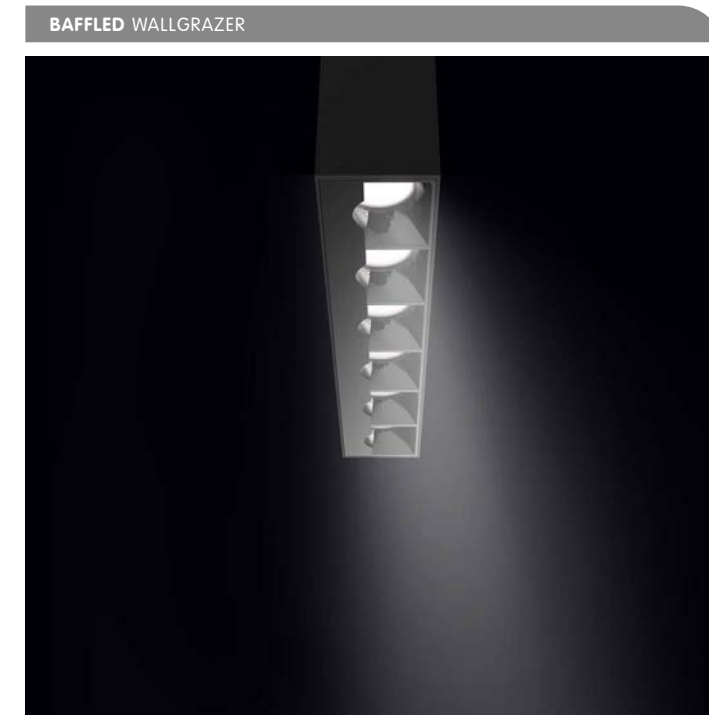
<sup>7</sup> Batwing distribution is not available for wall mounted application.

<sup>8</sup> Not applicable for integral driver.

Consult factory for lead-times.

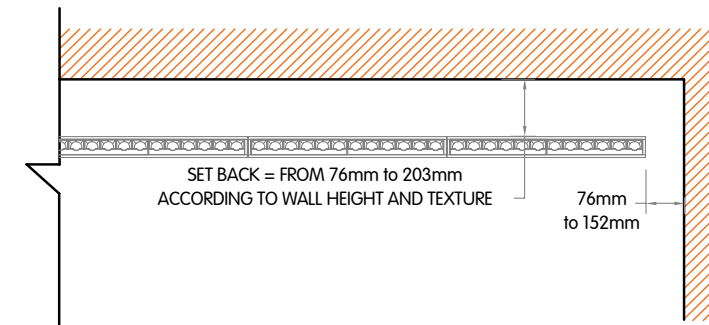
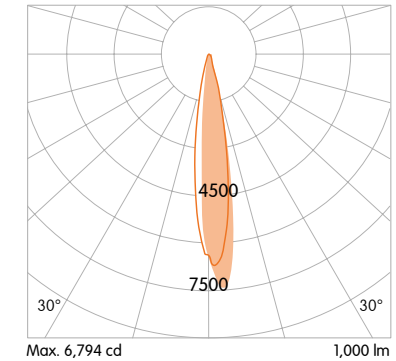
Consult factory for systems using multiple optics and mounting configurations.

## OPTICAL FLEXIBILITY (DIRECT)



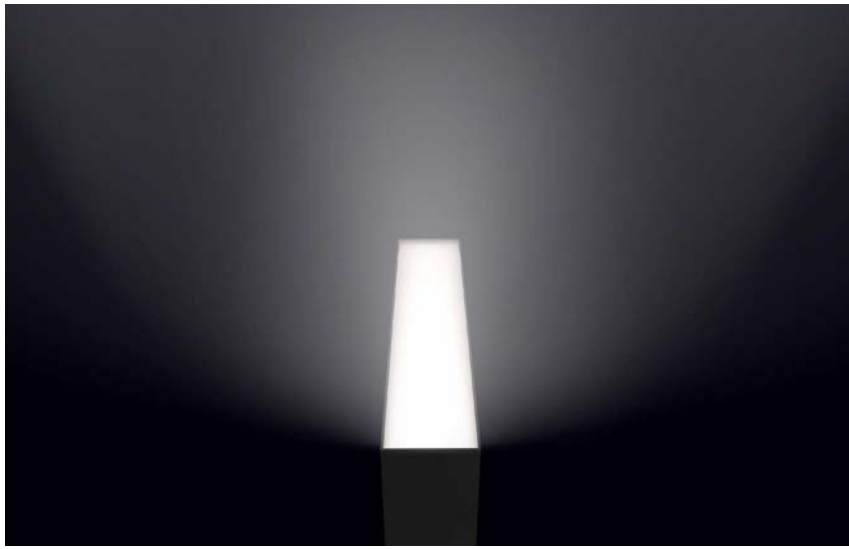
Billet wallgrazer delivers maximum performance for emphasizing textured and rough vertical surfaces. The standard output illuminates walls up to 355mm-0mm with outstanding transversal and longitudinal glare control.

15° Wallgrazer

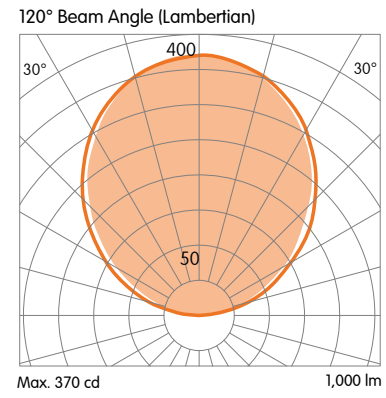


**OPTICAL FLEXIBILITY (INDIRECT)**

**LAMBERTIAN DISTRIBUTION**



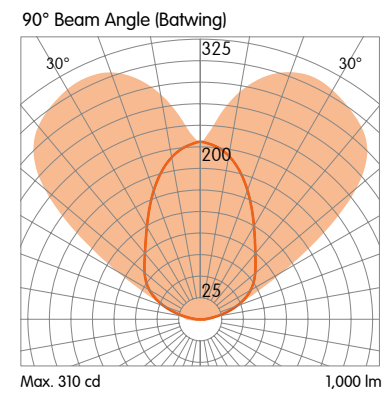
Lambertian distributions are optimal for general lighting, providing a soft and uniform illumination on both horizontal and vertical surfaces. Billet's opal lens is ideal for commercial, retail, institutional, and any other environment where comfortable and even illumination is needed.



**BATWING DISTRIBUTION**

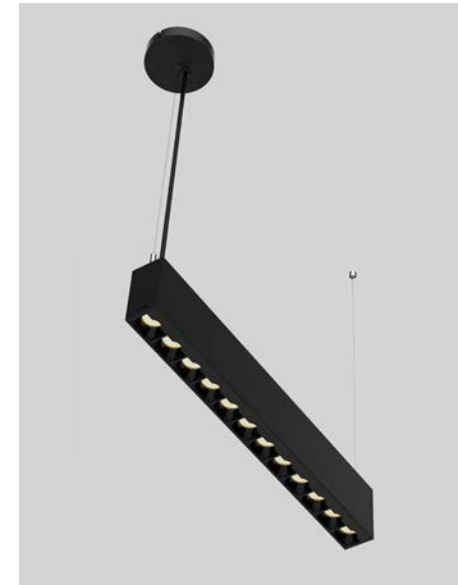


A batwing beam distribution is ideal for open spaces with low ceilings. This light distribution offers high uniformity on horizontal surfaces and allows for wide on-center spacing layouts.



**MOUNTING FLEXIBILITY**  
Per Millimeter

**PENDANT**

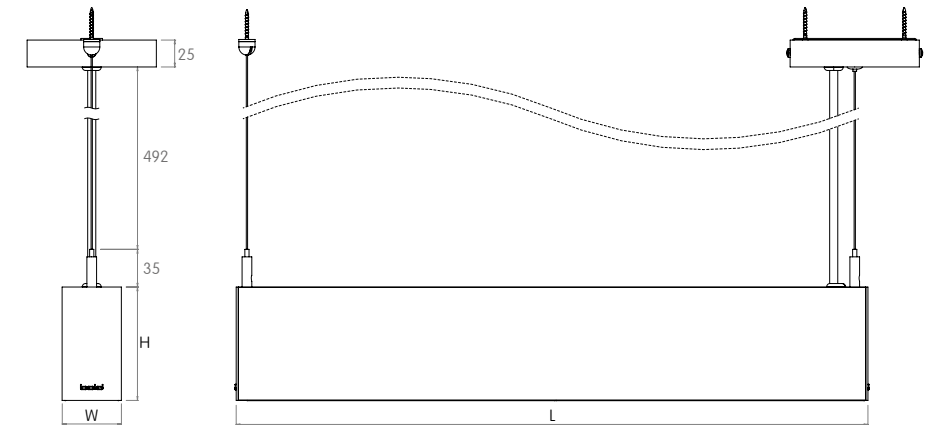
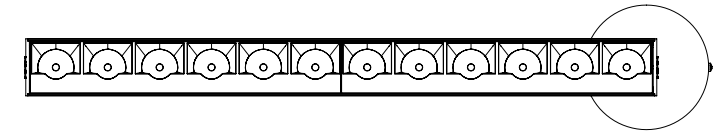


DIRECT



INDIRECT

Actual (mm)  
L= 608 | 908 | 1208 | 1508 | 1808 | 2108 | 2408 | 2708 | 3008 |  
Continuous runs  
W= 55  
H= 85



**MOUNTING FLEXIBILITY**  
Per Millimeter

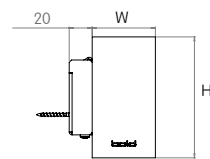
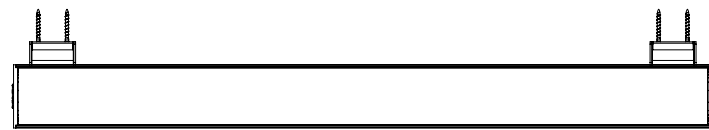
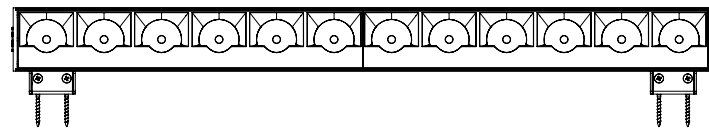


DIRECT



INDIRECT

Actual (mm)  
L= 608 | 908 | 1208 | 1508 | 1808 | 2108 | 2408 | 2708 | 3008 |  
Continuous runs  
W= 55  
H= 85



**DELIVERED LUMEN OUTPUT (DIRECT)**  
Per Meter

Output	Watts	CRI +90			
<b>STATIC-WHITE</b>		<b>2700K</b>	<b>3000K</b>	<b>3500K</b>	<b>4000K</b>
L	16W	1445 lm	1650 lm	1560 lm	1590 lm
M	33W	2695 lm	2860 lm	2910 lm	2965 lm
H	49W	3925 lm	4010 lm	4240 lm	4315 lm
V	66W	5035 lm	5175 lm	5440 lm	5540 lm
<b>DIM-TO-WARM 3000K-1800K</b>		<b>3000K</b>			
D	26W	1565 lm			
W	59W	4445 lm			
<b>TUNABLE WHITE 2700K-5000K</b>		<b>2700K</b>			<b>5000K</b>
U	33W	2425 lm			2425 lm
A	66W	4450 lm			4450 lm
<b>RGBW</b>		<b>R</b>	<b>G</b>	<b>B</b>	<b>W</b>
C	66W	2300 lm	3740 lm	575 lm	3560 lm

**DELIVERED LUMEN OUTPUT (INDIRECT)**  
Per Meter

Output	Watts	CRI +90			
<b>STATIC-WHITE</b>		<b>2700K</b>	<b>3000K</b>	<b>3500K</b>	<b>4000K</b>
L	16W	1110 lm	1175 lm	1210 lm	1235 lm
M	33W	2230 lm	2360 lm	2430 lm	2480 lm
H	49W	3345 lm	3540 lm	3645 lm	3720 lm
V	66W	4280 lm	4525 lm	4665 lm	4755 lm
<b>TUNABLE WHITE 2700K-5000K</b>		<b>2700K</b>			<b>5000K</b>
U	33W	2230 lm			2480 lm
A	66W	4280 lm			4755 lm

**DIMENSIONS TABLE**  
Per Millimeter

		24	36	48	60	72	84	96	108	120	
	Height	Actual Length									
<b>Pendant</b>	85	55	608	908	1208	1508	1808	2108	2408	2708	3008
<b>Wall Mounted</b>	85	55	608	908	1208	1508	1808	2108	2408	2708	3008

# WALLWASHER STEALTH



## CONSTRUCTION

**Product Type :** Linear  
**Body Material :** Extruded Aluminum  
**Body Finish :** Black / Grey / White  
 Custom RAL  
**IP Rating :** IP20  
**Chicago plenum rated**

## INSTALLATION

**Environment :** Dry / Damp Location  
**Mounting :** Ceiling Recessed (Trim & Trimless) / Millwork / Surface Mounted  
 Pendant  
**Dimensions :** Refer to dimension table

## OPTICS

**Optical Distribution :** Wallwash

## LIGHT SOURCE

**Direct Light Source :** Hi-power LEDs  
**Luminous Output :** from 1675lm/m to 4715lm/m (Delivered)  
**Light Source CCT :** 2700K / 3000K  
 3500K / 4000K  
**Color Rendering Index :** Ra90  
**Lifetime :** L80 B10 @ 70,000 Hrs

## ELECTRICAL

**Input Voltage :** 220-240V / UNV 120-277V - 50Hz/60Hz  
**Load :** 33W/m to 66W/m  
**Output Type :** Constant Current  
**Driver Type :** Integral  
**Dimming :** 0-10V / DALI / ELV / DMX  
 Lutron Hi-Lume  
**Code Compliance :** ETL / CSA / CE

## OPTICAL FLEXIBILITY

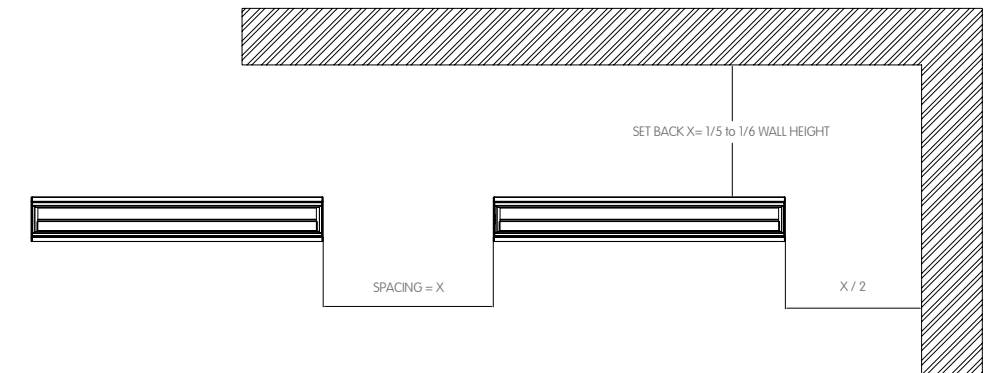
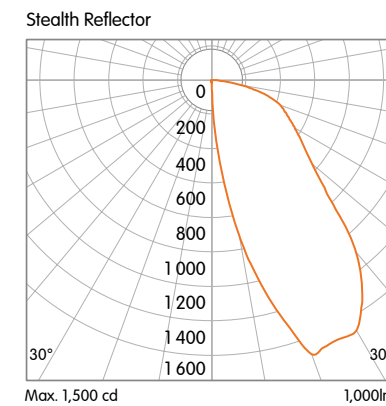


The Stealth Reflector provides even illumination of vertical surfaces with a flexible set back of 1/5 of the wall height and an offset to spacing ratio of 1:1. Stealth's optics are designed to wash large areas where exceptional uniformity and a quiet ceiling is required.

Series	Mounting	Nominal Length <sup>1</sup>	Body Finish
<b>BIK</b>	R Recessed with Trim	12 300 mm	W White
	T Recessed Trimless	24 600 mm	B Black
	S Surface Mounted	36 900 mm	G Grey
	P Pendant	48 1200 mm	X Custom RAL
	M Millwork	60 1500 mm	
		72 1800 mm	
		84 2100 mm	
		96 2400 mm	
		108 2700 mm	
		120 3000 mm	
		XX Custom mm	
For custom lengths and shapes, consult factory.			
For exact lengths refer to dimensions table.			

Code example: **BIK**-P12W-H2B-W-W927-0

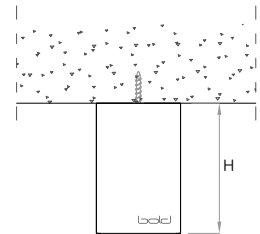
Output	Voltage	Dimming	Baffles	Beam Angle	CRI	Color Temp	Emergency
M <sup>2</sup> 1745lm/m (33W)	2 220-240V	A No Dimming	W White	W Washer	9 +90	27 2700K	0 No
H <sup>2</sup> 2290lm/m (49W)	U Universal 120 to 277V	B 0-10V to 1%	B Black			30 3000K	9 <sup>4</sup> 90 mins
V <sup>2</sup> 3265lm/m (66W)		D DALI to 1%	G Grey			35 3500K	
		E ELV Dimming	X Custom RAL			40 4000K	
		F DMX					
		G <sup>3</sup> LUTRON					



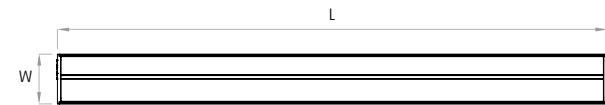
### Notes:

- <sup>1</sup> 150 mm length increments available as a modification.
  - <sup>2</sup> Denotes output at 3000K, unless otherwise noted.
  - <sup>3</sup> Hi-lume, Vive, and Athena compatible.
  - <sup>4</sup> Not applicable for integral driver.
- Consult factory for lead-times.  
 Consult factory for systems using multiple optics and mounting configurations.

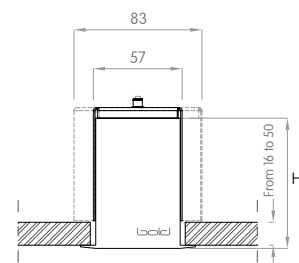
**MOUNTING FLEXIBILITY**  
Per Millimeter



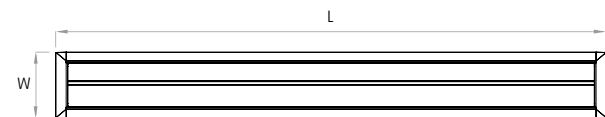
Actual (mm)  
L= 308 | 608 | 908 | 1208 | 1508 | 1808 | 2108 | 2408 | 2708  
3008 | Continuous runs  
W= 55  
H= 85



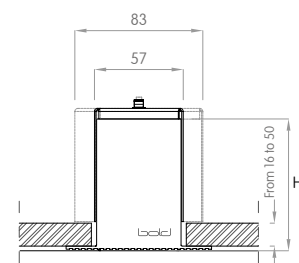
(L-13 x W-13)



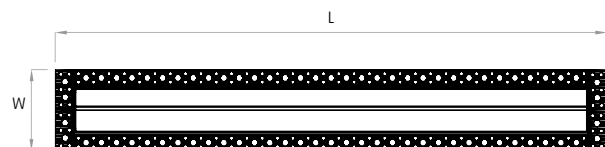
Actual (mm)  
L= 328 | 628 | 928 | 1228 | 1528 | 1828 | 2128 | 2428 | 2728  
3028 | Continuous runs  
W= 75  
H= 85



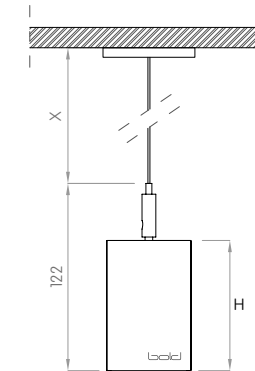
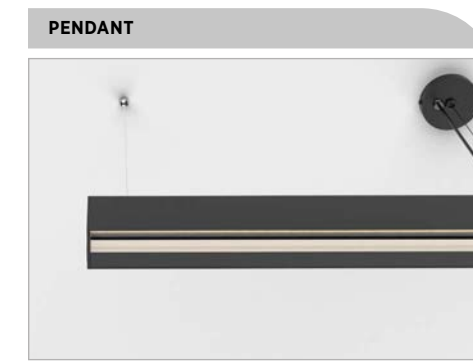
(L-33 x W-33)



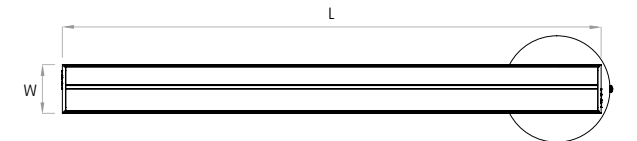
Actual (mm)  
L= 348 | 648 | 948 | 1248 | 1548 | 1848 | 2148 | 2448 | 2748  
3048 | Continuous runs  
W= 95  
H= 85



**MOUNTING FLEXIBILITY**  
Per Millimeter

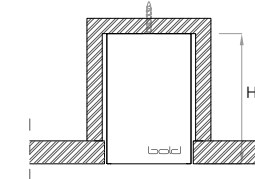


Actual (mm)  
L= 308 | 608 | 908 | 1208 | 1508 | 1808 | 2108 | 2408 | 2708  
3008 | Continuous runs  
W= 55  
H= 85  
X= 1500 or 3000

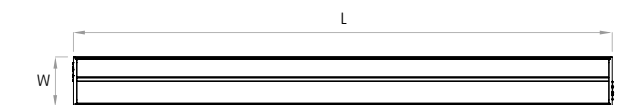


Note:  
Pendants are provided with a default 5ft gray electric feed. Please request a modification if a different length or color is required.

(L+3 x W+3)



Actual (mm)  
L= 308 | 608 | 908 | 1208 | 1508 | 1808 | 2108 | 2408 | 2708  
3008 | Continuous runs  
W= 55  
H= 85



**DELIVERED LUMEN OUTPUT**  
Per Meter

Output Watts CRI +90

STATIC-WHITE		2700K	3000K	3500K	4000K
<b>M</b>	33W	1675 lm	1745 lm	1810 lm	1870 lm
<b>H</b>	49W	2195 lm	2290 lm	2375 lm	2450 lm
<b>V</b>	66W	3130 lm	3265 lm	3390 lm	3495 lm

**DIMENSIONS TABLE**  
Per Meter

12 | 24 | 36 | 48 | 60 | 72 | 84 | 96 | 108 | 120

Height | Width | Actual Length

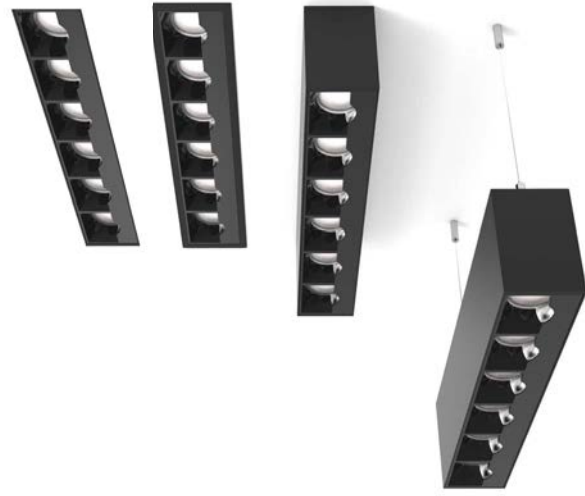
	Height	Width	12	24	36	48	60	72	84	96	108	120
<b>Surface Mounted</b>	85	55	308	608	908	1208	1508	1808	2108	2408	2708	3008
<b>Recessed with Trim</b>	85	75	328	628	928	1228	1528	1828	2128	2428	2728	3028
<b>Recessed Trimless<sup>1</sup></b>	85	95	348	648	948	1248	1548	1848	2148	2448	2748	3048
<b>Pendant</b>	85	55	308	608	908	1208	1508	1808	2108	2408	2708	3008
<b>Millwork</b>	85	55	308	608	908	1208	1508	1808	2108	2408	2708	3008

Notes:  
<sup>1</sup> Recessed trimless dimensions include mud flange.



*Gateway Renaissance  
Atlanta, GA  
Lighting Design: Lux et Veritas*

# BAFFLED WALLWASHER



## CONSTRUCTION

**Product Type :** Linear  
**Body Material :** Extruded Aluminum  
**Body Finish :** Black / Grey / White / Custom RAL  
**IP Rating :** IP20  
**Chicago plenum rated**

## INSTALLATION

**Environment :** Dry / Damp Location  
**Mounting :** Ceiling Recessed (Trim & Trimless) / Wall Recessed (Trim & Trimless) / Millwork / Surface Mounted / Pendant  
**Dimensions :** Refer to dimension table

## OPTICS

**Optical Distribution :** Wallwash

## LIGHT SOURCE

**Direct Light Source :** Hi-power LEDs  
**Luminous Output :** from 1225lm/m to 4715lm/m (Delivered)  
**Light Source CCT :** 2700K / 3000K / 3500K / 4000K / Tunable White (2700K-5000K) / Dim-to-Warm (3000K-1800K) / RGBW  
**Color Rendering Index :** Ra90  
**Lifetime :** L80 B10 @ 70,000 Hrs

## ELECTRICAL

**Input Voltage :** 220-240V / UNV 120-277V - 50Hz/60Hz  
**Load :** 16W/m to 66W/m  
**Output Type :** Constant Current  
**Driver Type :** Integral  
**Dimming :** 0-10V / DALI / ELV / DMX / Lutron Hi-Lume  
**Code Compliance :** ETL / CSA / CE

Series      Mounting      Nominal Length<sup>1</sup>

### BIW

Series	Mounting	Nominal Length <sup>1</sup>
R	Recessed with Trim	12 300 mm
T	Recessed Trimless	24 600 mm
S	Surface Mounted	36 900 mm
P	Pendant	48 1200 mm
M	Millwork	60 1500 mm
W	Wall Mounted	72 1800 mm
		84 2100 mm
		96 2400 mm
		108 2700 mm
		120 3000 mm
		XX Custom mm

For custom lengths and shapes, consult factory.  
 For exact lengths refer to dimensions table.

Code example: **BIW** - P12W-L2B-W-W927-0

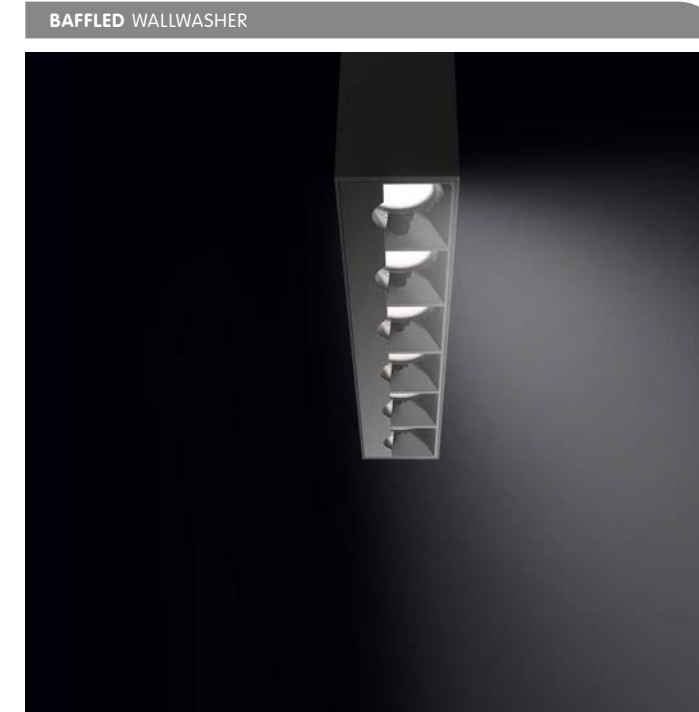
Body Finish	Output	Voltage	Dimming	Baffles	Beam Angle	CRI	Color Temp	Emergency
B Black	L <sup>2</sup> 1405lm/m (16W)	2 220-240V	A No Dimming	W Flat White	W Washer	9 +90	27 2700K	0 No
G Grey	M <sup>2</sup> 2430lm/m (33W)	U Universal 120 to 277V	B 0-10V to 1%	B Flat Black			30 3000K	9 <sup>8</sup> 90 mins
W White	H <sup>2</sup> 3415lm/m (49W)		D DALI to 1%	N Black Nickel			35 3500K	
X Custom RAL	V <sup>2</sup> 4405lm/m (66W)		E ELV Dimming	C Specular Chrome			40 4000K	
	D <sup>3</sup> 1330lm/m (26W)		F DMX	E Diffuse Gold			WD 3000K-1800K	
	W <sup>5</sup> 3785lm/m (59W)		G <sup>6</sup> LUTRON	X Custom			TW 2700K - 5000K	
	U <sup>4</sup> 2060lm/m (33W)						CC <sup>7</sup> RGBW	
	A <sup>4</sup> 3785lm/m (66W)							
	C <sup>5</sup> 3180lm/m (66W)							

RGBW is only available for Specular Chrome and Black Nickel reflector finishes.

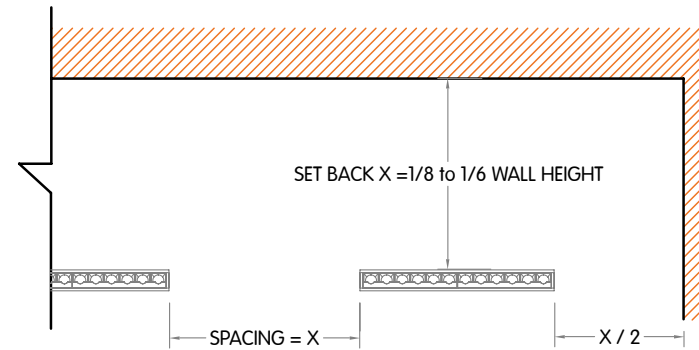
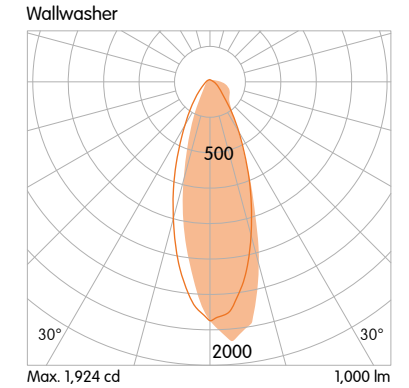
### Notes:

- <sup>1</sup> 150 mm length increments available as a modification.
  - <sup>2</sup> Denotes output at 3000K, unless otherwise noted.
  - <sup>3</sup> Denotes output specific to Dim-to-Warm at 3000K.
  - <sup>4</sup> Denotes output specific to Tunable White at full on.
  - <sup>5</sup> Denotes RGBW (C) output with all colors at full power.
  - <sup>6</sup> Hi-Lume, Vive, and Athena compatible.
  - <sup>7</sup> Only available with DMX dimming.
  - <sup>8</sup> Not applicable for integral driver.
- Consult factory for lead-times.  
 Consult factory for systems using multiple optics and mounting configurations.

## OPTICAL FLEXIBILITY



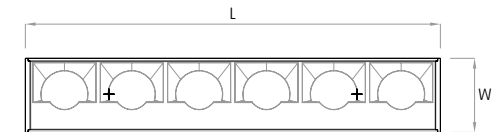
Billet wallwash provides even illumination of vertical surfaces with a flexible setback of 1/8 to 1/6 of the wall height. This optic is ideal for washing large areas where exceptional uniformity is required.



**MOUNTING FLEXIBILITY**  
Per Millimeter



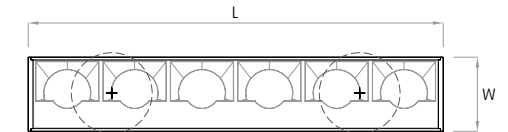
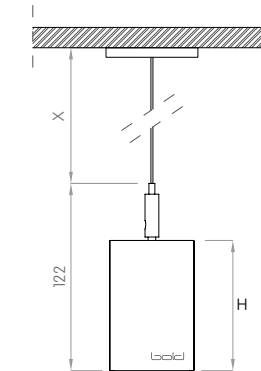
Actual (mm)  
L= 308 | 608 | 908 | 1208 | 1508 | 1808 | 2108 | 2408 | 2708  
3008 | Continuous runs  
W= 55  
H= 85



**MOUNTING FLEXIBILITY**  
Per Millimeter



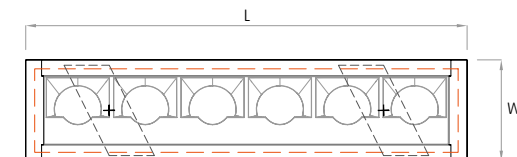
Actual (mm)  
L= 308 | 608 | 908 | 1208 | 1508 | 1808 | 2108 | 2408 | 2708  
3008 | Continuous runs  
W= 55  
H= 85  
X= 1500 or 3000



**Note:**  
Pendants are provided with a default 5ft gray electric feed. Please request a modification if a different length or color is required.



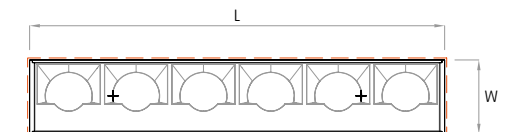
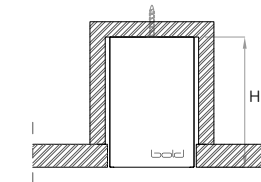
Actual (mm)  
L= 328 | 628 | 928 | 1228 | 1528 | 1828 | 2128 | 2428 | 2728  
3028 | Continuous runs  
W= 75  
H= 85



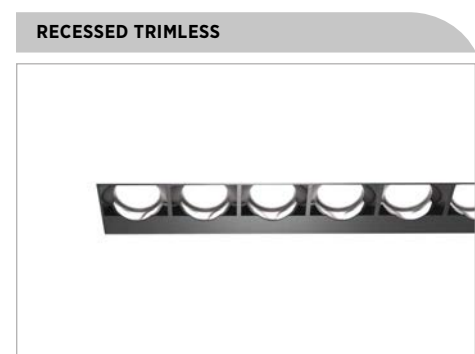
(L-13 x W-13)



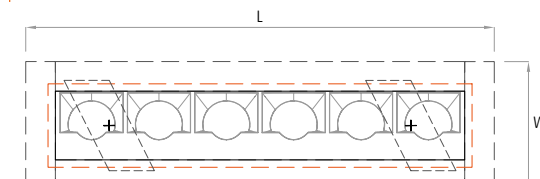
Actual (mm)  
L= 308 | 608 | 908 | 1208 | 1508 | 1808 | 2108 | 2408 | 2708  
3008 | Continuous runs  
W= 55  
H= 85



(L+3 x W+3)



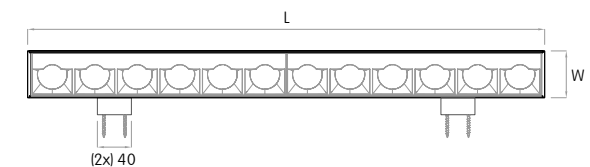
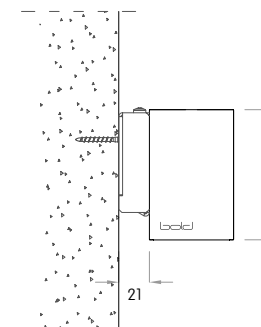
Actual (mm)  
L= 348 | 648 | 948 | 1248 | 1548 | 1848 | 2148 | 2448 | 2748  
3048 | Continuous runs  
W= 95  
H= 85



(L-33 x W-33)



Actual (mm)  
L= 308 | 608 | 908 | 1208 | 1508 | 1808 | 2108 | 2408 | 2708  
3008 | Continuous runs  
W= 55  
H= 85



## DELIVERED LUMEN OUTPUT

Per Meter

Output		Watts	CRI +90			
<b>STATIC-WHITE</b>			<b>2700K</b>	<b>3000K</b>	<b>3500K</b>	<b>4000K</b>
<b>L</b>	16W		1225 lm	1405 lm	1325 lm	1350 lm
<b>M</b>	33W		2290 lm	2430 lm	2475 lm	2520 lm
<b>H</b>	49W		3340 lm	3415 lm	3605 lm	3675 lm
<b>V</b>	66W		4285 lm	4405 lm	4630 lm	4715 lm
<b>DIM-TO-WARM 3000K-1800K</b>			<b>3000K</b>			
<b>D</b>	26W		1330 lm			
<b>W</b>	59W		3785 lm			
<b>TUNABLE WHITE 2700K-5000K</b>			<b>2700K</b>	<b>5000K</b>		
<b>U</b>	33W		2060 lm	2060 lm		
<b>A</b>	66W		3785 lm	3785 lm		
<b>RGBW</b>			<b>R</b>	<b>G</b>	<b>B</b>	<b>W</b>
<b>C</b>	66W		1955 lm	3180 lm	490 lm	3030 lm

## DIMENSIONS TABLE

Per Meter

		12	24	36	48	60	72	84	96	108	120	
	Height	Width	Actual Length									
<b>Surface Mounted</b>	85	55	308	608	908	1208	1508	1808	2108	2408	2708	3008
<b>Recessed with Trim</b>	85	75	328	628	928	1228	1528	1828	2128	2428	2728	3028
<b>Recessed Trimless</b>	85	95	348	648	948	1248	1548	1848	2148	2448	2748	3048
<b>Pendant</b>	85	55	308	608	908	1208	1508	1808	2108	2408	2708	3008
<b>Millwork</b>	85	55	308	608	908	1208	1508	1808	2108	2408	2708	3008
<b>Wall Mounted</b>	85	55	308	608	908	1208	1508	1808	2108	2408	2708	3008



# BAFFLED WALLWASHER

## Direct/Indirect



### CONSTRUCTION

**Product Type :** Linear  
**Body Material :** Extruded Aluminum  
**Body Finish :** Black / Grey / White  
 Custom RAL  
**IP Rating :** IP20  
**Chicago plenum rated**

### INSTALLATION

**Environment :** Dry / Damp Location  
**Mounting :** Pendant / Wall Mounted  
**Dimensions :** Refer to dimension table

### OPTICS

**Optical Distribution :** Direct - Wallwash  
 Indirect - Lambertian / Batwing

### LIGHT SOURCE

**Direct Light Source :** Hi-power LEDs  
 Mid-power LEDs

**Luminous Output :** [ Direct - from 1225lm/m to 4715lm/m (Delivered) ]  
 [ Indirect - from 1110lm/m to 4755lm/m (Delivered) ]  
**Light Source CCT :** 2700K / 3000K / 3500K  
 4000K / Tunable White (2700K-5000K)  
 Dim-to-Warm (3000K-1800K) / RGBW  
**Color Rendering Index :** Ra90  
**Lifetime :** L80 B10 @ 70,000 Hrs

### ELECTRICAL

**Input Voltage :** 220-240V / UNV 120-277V - 50Hz/60Hz  
**Load :** 16W/m to 66W/m  
**Output Type :** Constant Current  
**Driver Type :** Integral  
**Dimming :** 0-10V / DALI / ELV / DMX  
 Lutron Hi-Lume  
**Code Compliance :** ETL / CSA / CE

Series	Mounting	Nominal Length <sup>1</sup>	Body Finish		
<b>BIWO</b>	A4	Pendant (Aircraft Cable-4')	24 600 mm	W White	
	P2	Pendant (Rigid Stem-2')	36 900 mm	B Black	
	P3	Pendant (Rigid Stem-3')	48 1200 mm	G Grey	
	P4	Pendant (Rigid Stem-4')	60 1500 mm	X Custom RAL	
	W0	Wall Mounted	72	1800 mm	
			84	2100 mm	
			96	2400 mm	
			108	2700 mm	
			120	3000 mm	
			XX	Custom mm	

For custom lengths and shapes, consult factory.  
For exact lengths refer to dimensions table.

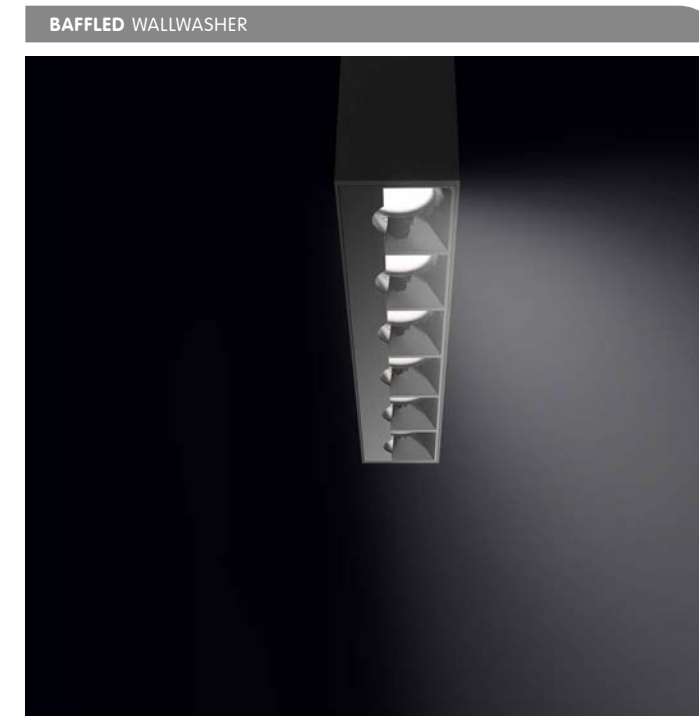
Code example: **BIWO** - A 4 2 4 W - LL 2 B - W - WL 9 2 7 - 0

Output (Direct) <sup>1</sup>	Output (Indirect) <sup>1</sup>	Voltage	Dimming	Baffles	Distribution (Direct)	Distribution (Indirect)	CRI	Color Temp	Emergency
L <sup>2</sup> 1405lm/m (16W)	L <sup>2</sup> 1175lm/m (16W)	2 220-240V	A No Dimming	W Flat White	W Washer	B <sup>7</sup> Batwing	9 +90	27 2700K	0 No
M <sup>2</sup> 2430lm/m (33W)	M <sup>2</sup> 2360lm/m (33W)	U Universal 120 to 277V	B 0-10V to 1%	B Flat Black		L Opal		30 3000K	9 <sup>8</sup> 90 mins
H <sup>2</sup> 3415lm/m (49W)	H <sup>2</sup> 3540lm/m (49W)		D DALI to 1%	N Black Nickel		35 3500K			
V <sup>2</sup> 4405lm/m (66W)	V <sup>2</sup> 4525lm/m (66W)		E ELV Dimming	C Specular Chrome				40 4000K	
D <sup>3</sup> 1330lm/m (26W)	U <sup>3</sup> 2480lm/m (33W)		F DMX	E Diffuse Gold				WD 3000K-1800K	
W <sup>3</sup> 3785lm/m (59W)	A <sup>3</sup> 4755lm/m (66W)		G <sup>6</sup> LUTRON	X Custom				TW 2700K-5000K	
U <sup>4</sup> 2060lm/m (33W)								CC RGBW	
A <sup>4</sup> 3785lm/m (66W)									
C <sup>5</sup> 3180lm/m (66W)									

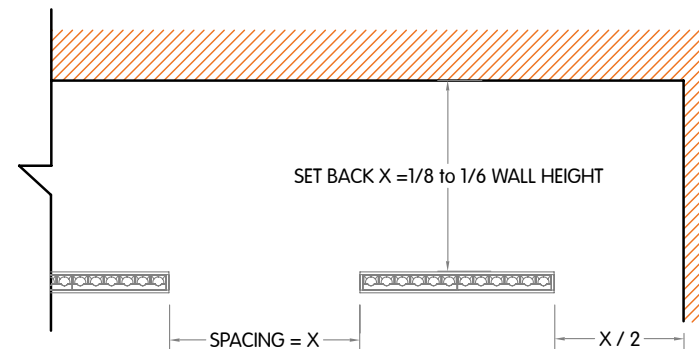
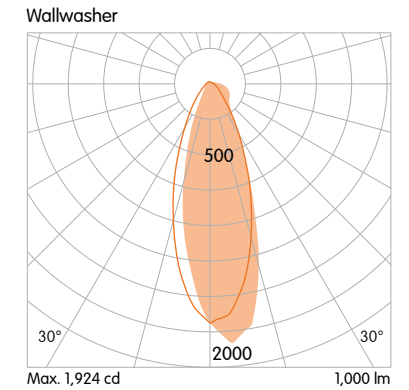
#### Notes:

- <sup>1</sup> 150 mm length increments available as a modification.
  - <sup>2</sup> Denotes output at 3000K, unless otherwise noted.
  - <sup>3</sup> Denotes output specific to Dim-to-Warm at 3000K.
  - <sup>4</sup> Denotes output specific to Tunable White at full on.
  - <sup>5</sup> Denotes RGBW (C) output with all colors at full power.
  - <sup>6</sup> Hi-Lume, Vive, and Athena compatible.
  - <sup>7</sup> Batwing distribution is not available for wall mounted application.
  - <sup>8</sup> Not applicable for integral driver.
- Consult factory for lead-times.  
Consult factory for systems using multiple optics and mounting configurations.

## OPTICAL FLEXIBILITY (DIRECT)

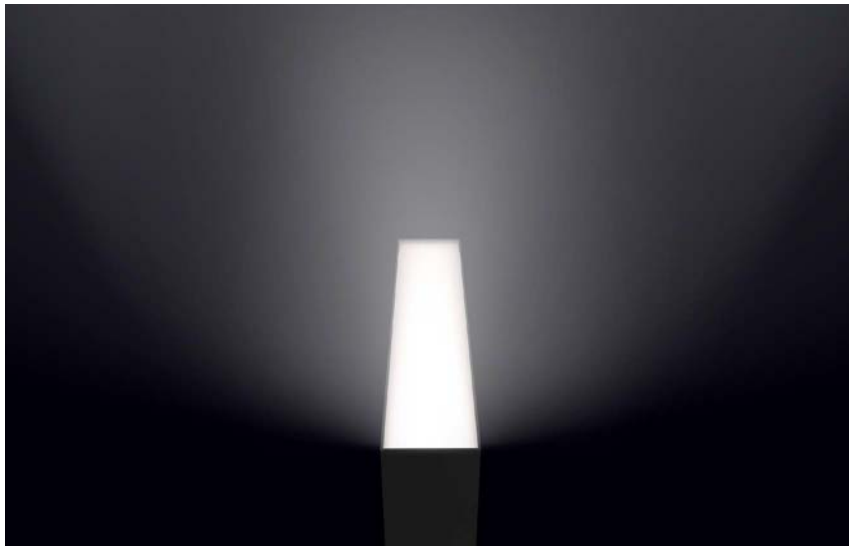


Billet wallwash provides even illumination of vertical surfaces with a flexible setback of 1/8 to 1/6 of the wall height. This optic is ideal for washing large areas where exceptional uniformity is required.

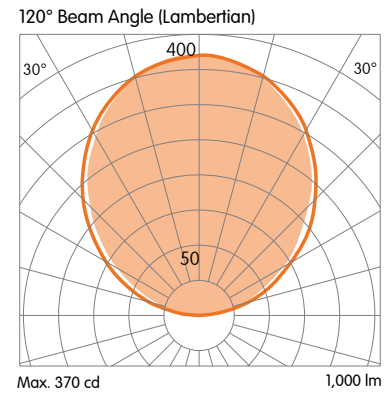


**OPTICAL FLEXIBILITY (INDIRECT)**

**LAMBERTIAN DISTRIBUTION**



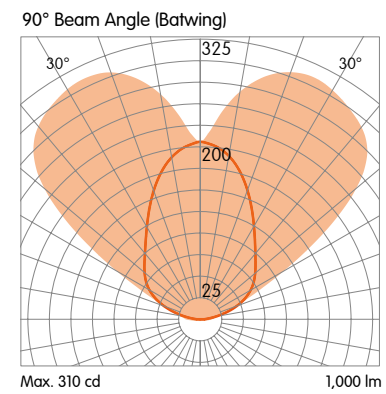
Lambertian distributions are optimal for general lighting, providing a soft and uniform illumination on both horizontal and vertical surfaces. Billet's opal lens is ideal for commercial, retail, institutional, and any other environment where comfortable and even illumination is needed.



**BATWING DISTRIBUTION**



A batwing beam distribution is ideal for open spaces with low ceilings. This light distribution offers high uniformity on horizontal surfaces and allows for wide on-center spacing layouts.



**MOUNTING FLEXIBILITY**  
Per Millimeter

**PENDANT**

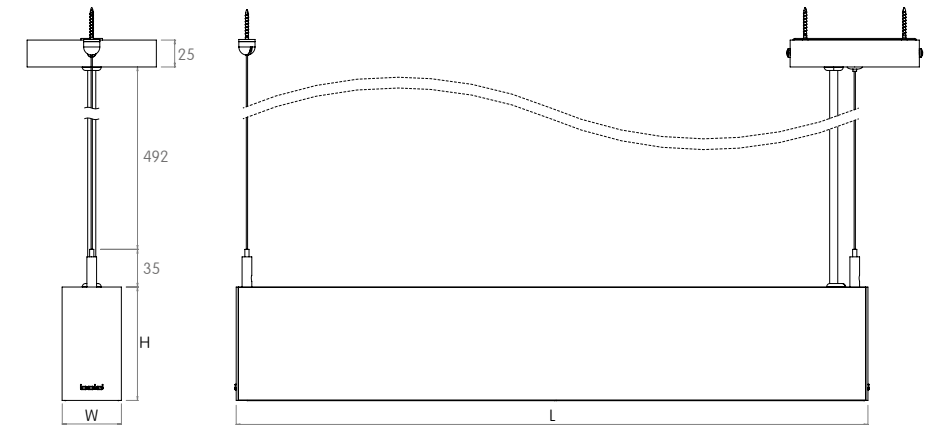
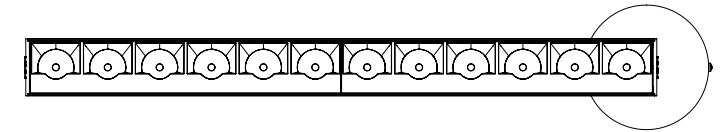


DIRECT



INDIRECT

Actual (mm)  
L= 608 | 908 | 1208 | 1508 | 1808 | 2108 | 2408 | 2708 | 3008 |  
Continuous runs  
W= 55  
H= 85



**MOUNTING FLEXIBILITY**  
Per Millimeter

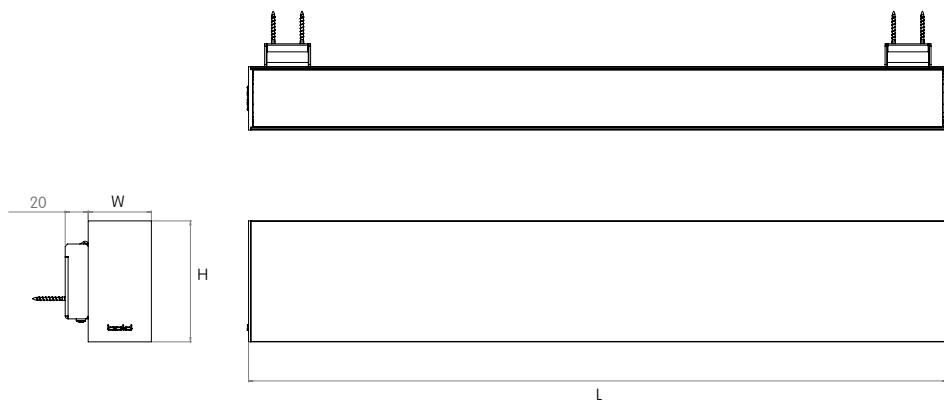
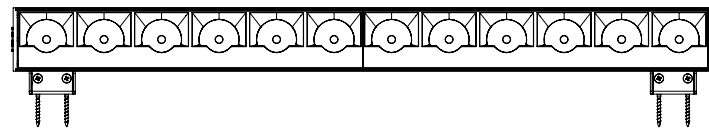


DIRECT



INDIRECT

Actual (mm)  
L= 608 | 908 | 1208 | 1508 | 1808 | 2108 | 2408 | 2708 | 3008 |  
Continuous runs  
W= 55  
H= 85



**DELIVERED LUMEN OUTPUT (DIRECT)**  
Per Meter

Output	Watts	CRI +90			
<b>STATIC-WHITE</b>		<b>2700K</b>	<b>3000K</b>	<b>3500K</b>	<b>4000K</b>
L	16W	1225 lm	1405 lm	1325 lm	1350 lm
M	33W	2290 lm	2430 lm	2475 lm	2520 lm
H	49W	3340 lm	3415 lm	3605 lm	3675 lm
V	66W	4285 lm	4405 lm	4630 lm	4715 lm
<b>DIM-TO-WARM 3000K-1800K</b>		<b>3000K</b>			
D	26W	1330 lm			
W	59W	3785 lm			
<b>TUNABLE WHITE 2700K-5000K</b>		<b>2700K</b>			<b>5000K</b>
U	33W	2060 lm			2060 lm
A	66W	3785 lm			3785 lm
<b>RGBW</b>		<b>R</b>	<b>G</b>	<b>B</b>	<b>W</b>
C	66W	1955 lm	3180 lm	490 lm	3030 lm

**DELIVERED LUMEN OUTPUT (INDIRECT)**  
Per Meter

Output	Watts	CRI +90			
<b>STATIC-WHITE</b>		<b>2700K</b>	<b>3000K</b>	<b>3500K</b>	<b>4000K</b>
L	16W	1110 lm	1175 lm	1210 lm	1235 lm
M	33W	2230 lm	2360 lm	2430 lm	2480 lm
H	49W	3345 lm	3540 lm	3645 lm	3720 lm
V	66W	4280 lm	4525 lm	4665 lm	4755 lm
<b>TUNABLE WHITE 2700K-5000K</b>		<b>2700K</b>			<b>5000K</b>
U	33W	2230 lm			2480 lm
A	66W	4280 lm			4755 lm

**DIMENSIONS TABLE**  
Per Millimeter

		24	36	48	60	72	84	96	108	120		
	Height	85										
	Width	55										
	Actual Length	608   908   1208   1508   1808   2108   2408   2708   3008										
<b>Pendant</b>	Height	85	55	608	908	1208	1508	1808	2108	2408	2708	3008
<b>Wall Mounted</b>	Height	85	55	608	908	1208	1508	1808	2108	2408	2708	3008

# BILLET SYMMETRIC BAFFLES



## CONSTRUCTION

**Product Type :** Linear  
**Body Material :** Extruded Aluminum  
**Body Finish :** Black / Grey / White / Custom RAL  
**IP Rating :** IP20  
**Chicago plenum rated**

## INSTALLATION

**Environment :** Dry / Damp Location  
**Mounting :** Ceiling Recessed (Trim & Trimless) / Wall Recessed (Trim & Trimless) / Millwork / Surface Mounted / Pendant  
**Dimensions :** Refer to dimension table

## OPTICS

**Optical Distribution :** 10° / 20° / 28° / 50°  
 Elliptical (10°x28°) / (10°x36°)  
**Glare Control :** UGR<19

## LIGHT SOURCE

**Direct Light Source :** Hi-power LEDs  
**Luminous Output :** from 1570lm/m to 6035lm/m (Delivered)  
**Light Source CCT :** 2700K / 3000K / 3500K / 4000K / Tunable White (2700K-5000K)  
**Dim-to-Warm (3000K-1800K) / RGBW**  
**Color Rendering Index :** Ra90  
**Lifetime :** L80 B10 @ 70,000 Hrs

## ELECTRICAL

**Input Voltage :** 220-240V / UNV 120-277V - 50Hz/60Hz  
**Load :** 16W/m to 66W/m  
**Output Type :** Constant Current  
**Driver Type :** Integral  
**Dimming :** 0-10V / DALI / ELV / DMX / Lutron Hi-Lume  
**Code Compliance :** ETL / CSA / CE

Series	Mounting	Nominal Length <sup>1</sup>
--------	----------	-----------------------------

### BIS

R	Recessed with Trim	12	300 mm
T	Recessed Trimless	24	600 mm
S	Surface Mounted	36	900 mm
P	Pendant	48	1200 mm
M	Millwork	60	1500 mm
		72	1800 mm
		84	2100 mm
		96	2400 mm
		108	2700 mm
		120	3000 mm
		XX	Custom mm

For custom lengths and shapes, consult factory.  
 For exact lengths refer to dimensions table.

Code example: **BIS** - P12W - L2B - W - E927 - 0

Body Finish	Output	Voltage	Dimming	Baffles	Beam Angle	CRI	Color Temp	Emergency
-------------	--------	---------	---------	---------	------------	-----	------------	-----------

B	Black	L <sup>2</sup>	1795lm/m (16W)	2	220-240V	A	No Dimming	W	Flat White	S	10°	9	+90	27	2700K	0	No
G	Grey	M <sup>2</sup>	3115lm/m (33W)	U	Universal 120 to 277V	B	0-10V to 1%	B	Flat Black	N	20°			30	3000K	9 <sup>e</sup>	90 mins
W	White	H <sup>2</sup>	4370lm/m (49W)			D	DALI to 1%	N	Black Nickel	M	28°			35	3500K		
X	Custom RAL	V <sup>2</sup>	5640lm/m (66W)			E	ELV Dimming	C	Specular Chrome	F	50°			40	4000K		
		D <sup>3</sup>	1705lm/m (26W)			F	DMX	E	Diffuse Gold	E	10°x 28°			WD	3000K- 1800K		
		W <sup>3</sup>	4845lm/m (59W)			G <sup>6</sup>	LUTRON	X	Custom	G	10°x 36°			TW	2700K - 5000K		
		U <sup>4</sup>	2640lm/m (33W)											CC <sup>7</sup>	RGBW		
		A <sup>4</sup>	4845lm/m (66W)														
		C <sup>5</sup>	4075lm/m (66W)														

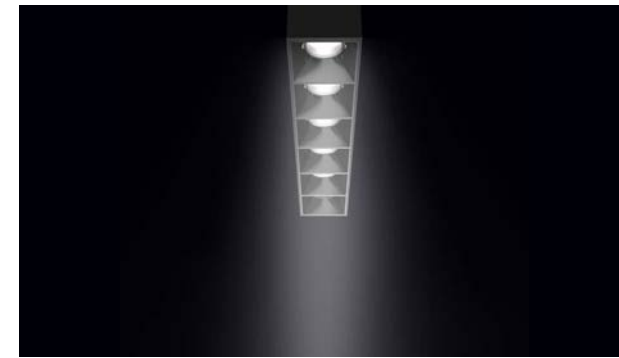
RGBW is only available for Specular Chrome and Black Nickel reflector finishes.

### Notes:

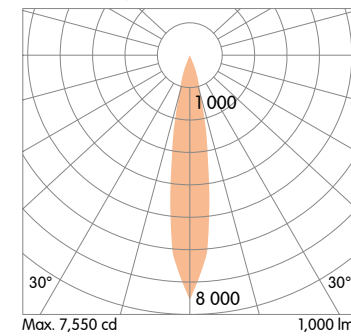
- 150 mm length increments available as a modification.
  - Denotes output at 3000K, unless otherwise noted.
  - Denotes output specific to Dim-to-Warm at 3000K.
  - Denotes output specific to Tunable White at full on.
  - Denotes RGBW (C) output with all colors at full power.
  - Hi-Lume, Vive, and Athena compatible.
  - Only available with DMX dimming.
  - Not applicable for integral driver.
- Consult factory for lead-times.  
 Consult factory for systems using multiple optics and mounting configurations.

## OPTICAL FLEXIBILITY

### TIGHT BEAM SYMMETRICAL BAFFLE



#### 10° Beam Angle

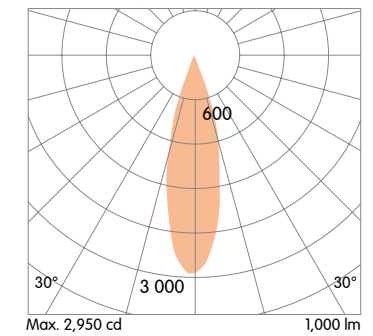


A tight 10° beam is ideal for high-ceiling applications and for emphasizing texture on vertical surfaces and architectural elements.

### NARROW BEAM SYMMETRICAL BAFFLE



#### 20° Beam Angle

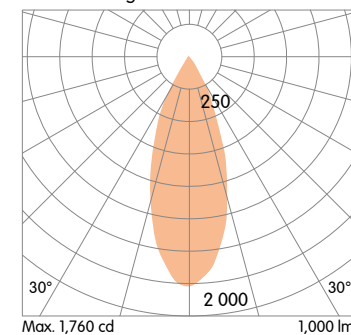


The 20° narrow beam is a versatile distribution that works in a wide range of applications and spaces. This optic is a nice balance between light punch and ambient uniformity.

### FLOOD BEAM SYMMETRICAL BAFFLE



#### 50° Beam Angle

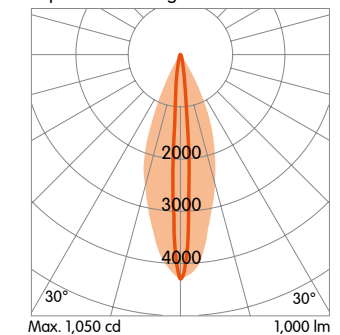


A 50° flood beam is the optimal option for achieving efficient ambient lighting with excellent uniformity and very low glare.

### ELLIPTICAL DISTRIBUTION

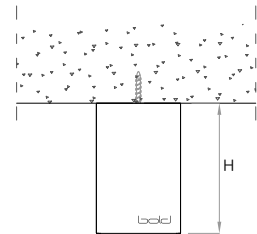


#### Elliptical Beam Angle

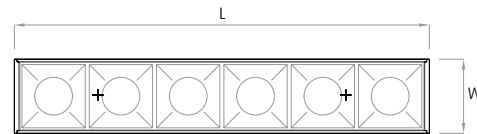


Elliptical distributions can be used anywhere focused illumination is needed. Billet's elliptical beam is ideal for applications such as grazing texture on vertical surfaces and illuminating long narrow spaces without scallops.

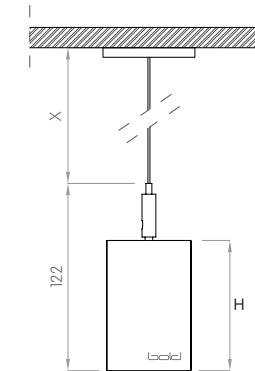
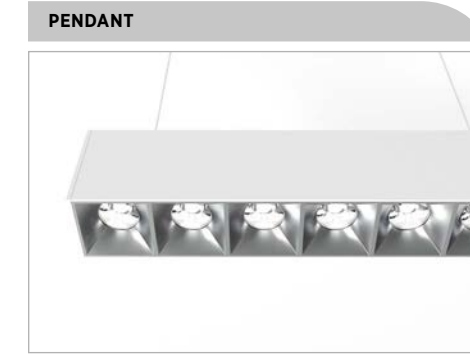
**MOUNTING FLEXIBILITY**  
Per Millimeter



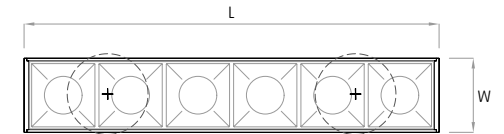
Actual (mm)  
L= 308 | 608 | 908 | 1208 | 1508 | 1808 | 2108 | 2408 | 2708  
3008 | Continuous runs  
W= 55  
H= 85



**MOUNTING FLEXIBILITY**  
Per Millimeter

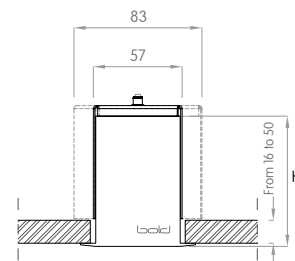


Actual (mm)  
L= 308 | 608 | 908 | 1208 | 1508 | 1808 | 2108 | 2408 | 2708  
3008 | Continuous runs  
W= 55  
H= 85  
X= 1500 or 3000

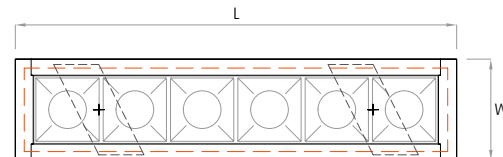


**Note:**  
Pendants are provided with a default 5ft gray electric feed. Please request a modification if a different length or color is required.

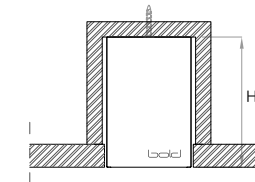
(L-13 x W-13)



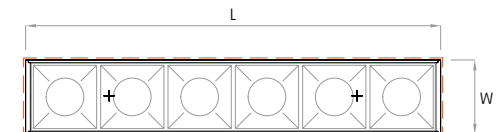
Actual (mm)  
L= 328 | 628 | 928 | 1228 | 1528 | 1828 | 2128 | 2428 | 2728  
3028 | Continuous runs  
W= 75  
H= 85



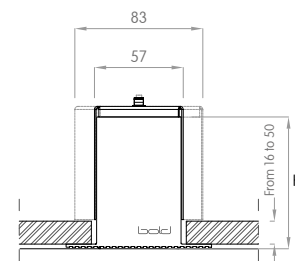
(L+3 x W+3)



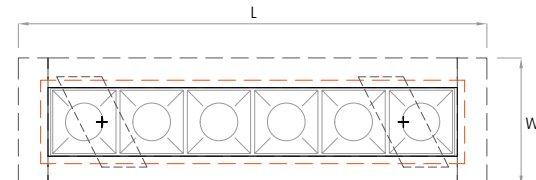
Actual (mm)  
L= 308 | 608 | 908 | 1208 | 1508 | 1808 | 2108 | 2408 | 2708  
3008 | Continuous runs  
W= 55  
H= 85



(L-33 x W-33)



Actual (mm)  
L= 348 | 648 | 948 | 1248 | 1548 | 1848 | 2148 | 2448 | 2748  
3048 | Continuous runs  
W= 95  
H= 85



## DELIVERED LUMEN OUTPUT

Per Meter

Output		Watts		CRI +90			
<b>STATIC-WHITE</b>			<b>2700K</b>	<b>3000K</b>	<b>3500K</b>	<b>4000K</b>	
<b>L</b>	16W		1570 lm	1795 lm	1695 lm	1730 lm	
<b>M</b>	33W		2935 lm	3115 lm	3170 lm	3230 lm	
<b>H</b>	49W		4275 lm	4370 lm	4620 lm	4705 lm	
<b>V</b>	66W		5485 lm	5640 lm	5925 lm	6035 lm	
<b>DIM-TO-WARM 3000K-1800K</b>			<b>3000K</b>				
<b>D</b>	26W		1705 lm				
<b>W</b>	59W		4845 lm				
<b>TUNABLE WHITE 2700K-5000K</b>			<b>2700K</b>				<b>5000K</b>
<b>U</b>	33W		2640 lm				2640 lm
<b>A</b>	66W		4845 lm				4845 lm
<b>RGBW</b>			<b>R</b>	<b>G</b>	<b>B</b>	<b>W</b>	
<b>C</b>	66W		2505 lm	4075 lm	630 lm	3880 lm	

## DIMENSIONS TABLE

Per Meter

			12	24	36	48	60	72	84	96	108	120
	Height	Width	Actual Length									
<b>Surface Mounted</b>	85	55	308	608	908	1208	1508	1808	2108	2408	2708	3008
<b>Recessed with Trim</b>	85	75	328	628	928	1228	1528	1828	2128	2428	2728	3028
<b>Recessed Trimless</b>	85	95	348	648	948	1248	1548	1848	2148	2448	2748	3048
<b>Pendant</b>	85	55	308	608	908	1208	1508	1808	2108	2408	2708	3008
<b>Millwork</b>	85	55	308	608	908	1208	1508	1808	2108	2408	2708	3008



USC Annenberg Amphitheater  
Los Angeles, CA  
Lighting Design: KGM

# BILLET SYMMETRIC BAFFLES

## Direct/Indirect



### CONSTRUCTION

**Product Type :** Linear  
**Body Material :** Extruded Aluminum  
**Body Finish :** Black / Grey / White  
 Custom RAL  
**IP Rating :** IP20  
**Chicago plenum rated**

### INSTALLATION

**Environment :** Dry / Damp Location  
**Mounting :** Pendant / Wall Mounted  
**Dimensions :** Refer to dimension table

### OPTICS

**Optical Distribution :** Direct - 10° / 20° / 28° / 50° / Elliptical (10°x28°) / (10°x36°)  
 Indirect - Lambertian / Batwing  
**Glare Control :** UGR<19

### LIGHT SOURCE

**Direct Light Source :** Hi-power LEDs  
 Mid-power LEDs  
**Luminous Output :** [ Direct - from 1570lm/m to 6035lm/m (Delivered) ]  
 [ Indirect - from 1110lm/m to 4755lm/m (Delivered) ]  
**Light Source CCT :** 2700K / 3000K / 3500K / 4000K / Tunable White (2700K-5000K)  
 Dim-to-Warm (3000K-1800K) / RGBW  
**Color Rendering Index :** Ra90  
**Lifetime :** L80 B10 @ 70,000 Hrs

### ELECTRICAL

**Input Voltage :** 220-240V / UNV 120-277V - 50Hz/60Hz  
**Load :** 16W/m to 66W/m  
**Output Type :** Constant Current  
**Driver Type :** Integral  
**Dimming :** 0-10V / DALI / ELV / DMX  
 Lutron Hi-Lume  
**Code Compliance :** ETL / CSA / CE

Series	Mounting	Nominal Length <sup>1</sup>	Body Finish
<b>BISO</b>	A4 Pendant (Aircraft Cable-4')	24	600 mm
	P2 Pendant (Rigid Stem-2')	36	900 mm
	P3 Pendant (Rigid Stem-3')	48	1200 mm
	P4 Pendant (Rigid Stem-4')	60	1500 mm
	W0 Wall Mounted	72	1800 mm
		84	2100 mm
		96	2400 mm
		108	2700 mm
		120	3000 mm
		XX	Custom mm

For custom lengths and shapes, consult factory.  
 For exact lengths refer to dimensions table.

Code example: **BISO** - A424W-LL2B-W-SL927-0

Output (Direct) <sup>1</sup>	Output (Indirect) <sup>1</sup>	Voltage	Dimming	Baffles	Beam Angle (Direct)	Distribution (Indirect)	CRI	Color Temp	Emergency
L <sup>2</sup> 1795lm/m (16W)	L <sup>2</sup> 1175lm/m (16W)	2 220-240V	A No Dimming	W Flat White	S 10°	B <sup>7</sup> Batwing	9 +90	27 2700K	0 No
M <sup>2</sup> 3115lm/m (33W)	M <sup>2</sup> 2360lm/m (33W)	U Universal 120 to 277V	B 0-10V to 1%	B Flat Black	N 20°	L Opal		30 3000K	9 <sup>8</sup> 90 mins
H <sup>2</sup> 4370lm/m (49W)	H <sup>2</sup> 3540lm/m (49W)		D DALI to 1%	N Black Nickel	M 28°			35 3500K	
V <sup>2</sup> 5640lm/m (66W)	V <sup>2</sup> 4525lm/m (66W)		E ELV Dimming	C Specular Chrome	F 50°			40 4000K	
D <sup>3</sup> 1705lm/m (26W)	U <sup>3</sup> 2480lm/m (33W)		F DMX	E Diffuse Gold	E 10°x 28°			WD 3000K-1800K	
W <sup>3</sup> 4845lm/m (59W)	A <sup>3</sup> 4755lm/m (66W)		G <sup>6</sup> LUTRON	X Custom	G 10°x 36°			TW 2700K - 5000K	
U <sup>4</sup> 2640lm/m (33W)								CC RGBW	
A <sup>4</sup> 4845lm/m (66W)									
C <sup>5</sup> 4075lm/m (66W)									

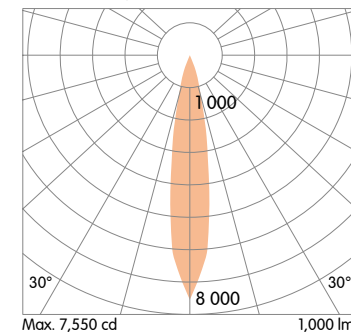
#### Notes:

- <sup>1</sup> 150 mm length increments available as a modification.
  - <sup>2</sup> Denotes output at 3000K, unless otherwise noted.
  - <sup>3</sup> Denotes output specific to Dim-to-Warm at 3000K.
  - <sup>4</sup> Denotes output specific to Tunable White at full on.
  - <sup>5</sup> Denotes RGBW (C) output with all colors at full power.
  - <sup>6</sup> Hi-Lume, Vive, and Athena compatible.
  - <sup>7</sup> Batwing distribution is not available for wall mounted application.
  - <sup>8</sup> Not applicable for integral driver.
- Consult factory for lead-times.  
 Consult factory for systems using multiple optics and mounting configurations.

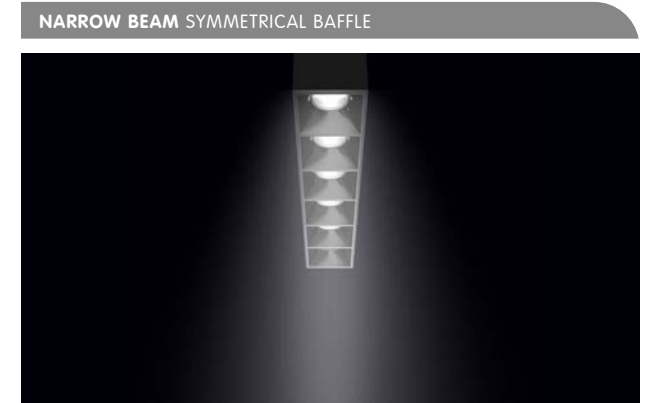
## OPTICAL FLEXIBILITY (DIRECT)



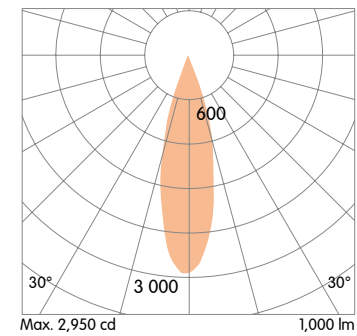
10° Beam Angle



A tight 10° beam is ideal for high-ceiling applications and for emphasizing texture on vertical surfaces and architectural elements.



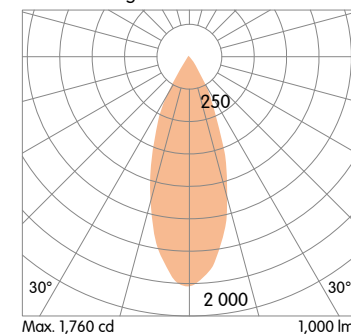
20° Beam Angle



The 20° narrow beam is a versatile distribution that works in a wide range of applications and spaces. This optic is a nice balance between light punch and ambient uniformity.



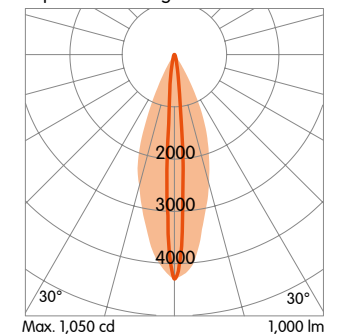
50° Beam Angle



A 50° flood beam is the optimal option for achieving efficient ambient lighting with excellent uniformity and very low glare.



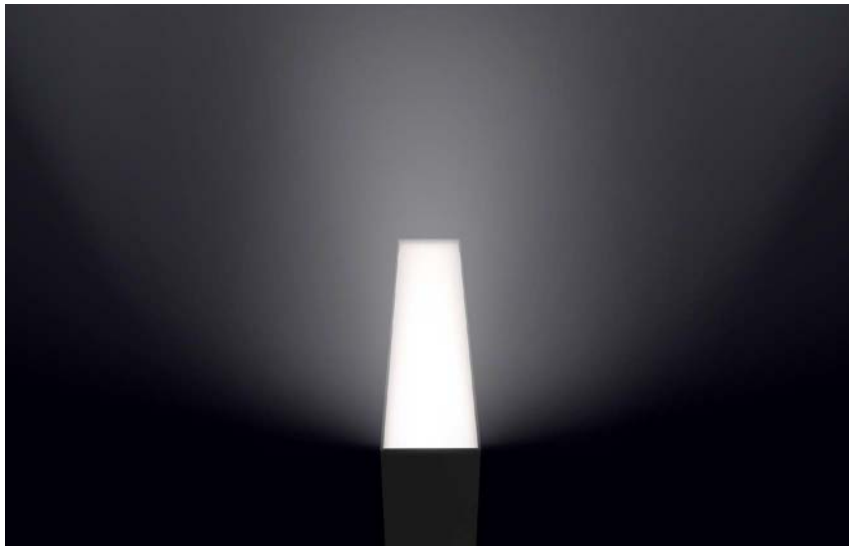
Elliptical Beam Angle



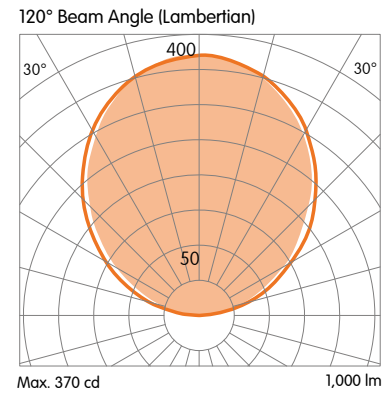
Elliptical distributions can be used anywhere focused illumination is needed. Billet's elliptical beam is ideal for applications such as grazing texture on vertical surfaces and illuminating long narrow spaces without scallops.

**OPTICAL FLEXIBILITY (INDIRECT)**

**LAMBERTIAN DISTRIBUTION**



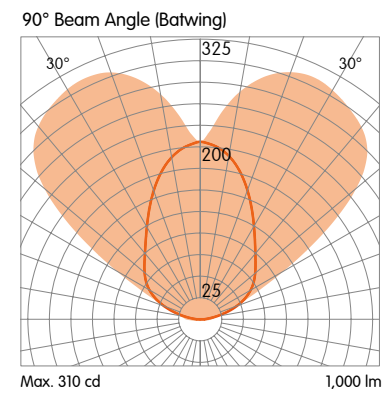
Lambertian distributions are optimal for general lighting, providing a soft and uniform illumination on both horizontal and vertical surfaces. Billet's opal lens is ideal for commercial, retail, institutional, and any other environment where comfortable and even illumination is needed.



**BATWING DISTRIBUTION**

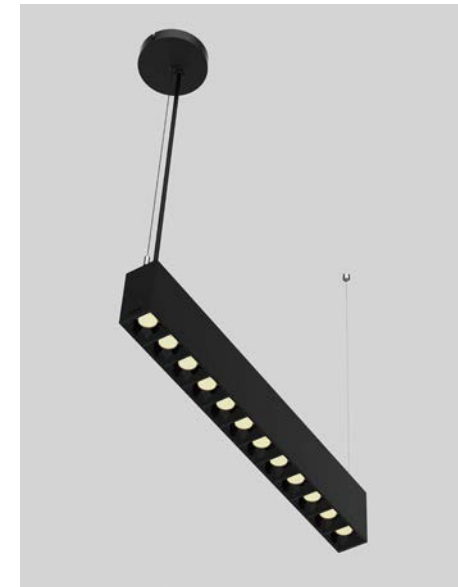


A batwing beam distribution is ideal for open spaces with low ceilings. This light distribution offers high uniformity on horizontal surfaces and allows for wide on-center spacing layouts.



**MOUNTING FLEXIBILITY**  
Per Millimeter

**PENDANT**

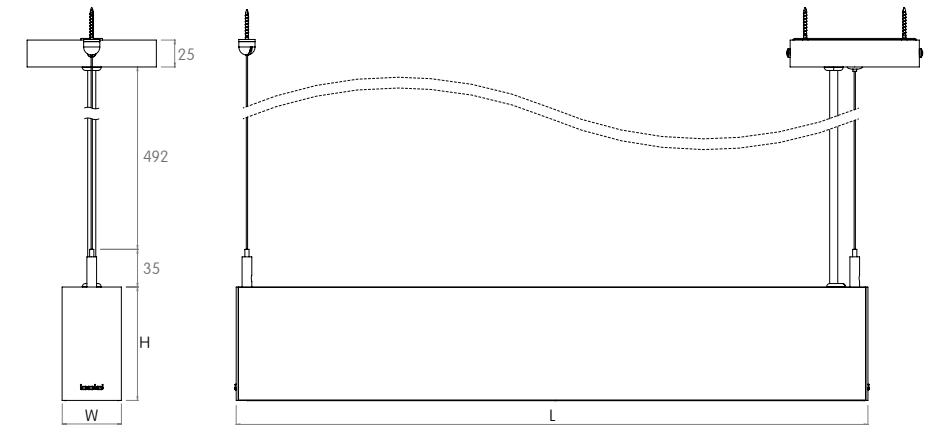
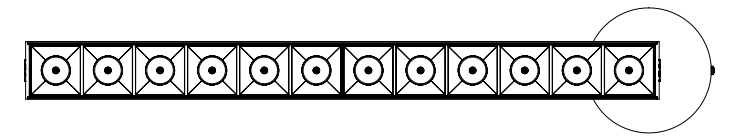


DIRECT



INDIRECT

Actual (mm)  
L= 608 | 908 | 1208 | 1508 | 1808 | 2108 | 2408 | 2708 | 3008 |  
Continuous runs  
W= 55  
H= 85



**MOUNTING FLEXIBILITY**  
Per Millimeter

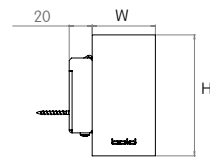
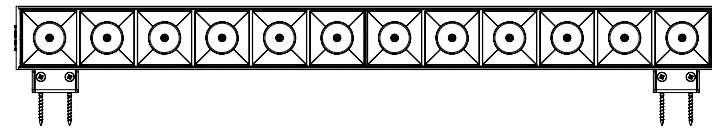


DIRECT



INDIRECT

Actual (mm)  
L= 608 | 908 | 1208 | 1508 | 1808 | 2108 | 2408 | 2708 | 3008 |  
Continuous runs  
W= 55  
H= 85



**DELIVERED LUMEN OUTPUT (DIRECT)**  
Per Meter

Output	Watts	CRI +90			
<b>STATIC-WHITE</b>		<b>2700K</b>	<b>3000K</b>	<b>3500K</b>	<b>4000K</b>
L	16W	1570 lm	1795 lm	1695 lm	1730 lm
M	33W	2935 lm	3115 lm	3170 lm	3230 lm
H	49W	4275 lm	4370 lm	4620 lm	4705 lm
V	66W	5485 lm	5640 lm	5925 lm	6035 lm
<b>DIM-TO-WARM 3000K-1800K</b>		<b>3000K</b>			
D	26W	1705 lm			
W	59W	4845 lm			
<b>TUNABLE WHITE 2700K-5000K</b>		<b>2700K</b>			<b>5000K</b>
U	33W	2640 lm			2640 lm
A	66W	4845 lm			4845 lm
<b>RGBW</b>		<b>R</b>	<b>G</b>	<b>B</b>	<b>W</b>
C	66W	2505 lm	4075 lm	630 lm	3880 lm

**DELIVERED LUMEN OUTPUT (INDIRECT)**  
Per Meter

Output	Watts	CRI +90			
<b>STATIC-WHITE</b>		<b>2700K</b>	<b>3000K</b>	<b>3500K</b>	<b>4000K</b>
L	16W	1110 lm	1175 lm	1210 lm	1235 lm
M	33W	2230 lm	2360 lm	2430 lm	2480 lm
H	49W	3345 lm	3540 lm	3645 lm	3720 lm
V	66W	4280 lm	4525 lm	4665 lm	4755 lm
<b>TUNABLE WHITE 2700K-5000K</b>		<b>2700K</b>			<b>5000K</b>
U	33W	2230 lm			2480 lm
A	66W	4280 lm			4755 lm

**DIMENSIONS TABLE**  
Per Millimeter

		24	36	48	60	72	84	96	108	120	
	Height	Actual Length									
<b>Pendant</b>	85	55	608	908	1208	1508	1808	2108	2408	2708	3008
<b>Wall Mounted</b>	85	55	608	908	1208	1508	1808	2108	2408	2708	3008

# HONEYCOMB



## CONSTRUCTION

**Product Type :** Linear  
**Body Material :** Extruded Aluminum  
**Body Finish :** Black / Grey / White  
 Custom RAL  
**IP Rating :** IP20  
**Chicago plenum rated**

## INSTALLATION

**Environment :** Dry / Damp Location  
**Mounting :** Ceiling Recessed (Trim & Trimless) / Wall Recessed (Trim & Trimless)  
 Millwork / Surface Mounted / Pendant  
**Dimensions :** Refer to dimension table

## OPTICS

**Optical Distribution :** 10° / 20° / 35° / 60°  
 Elliptical (10°x40°) (25°x50°)  
**Glare Control :** UGR<19

## LIGHT SOURCE

**Direct Light Source :** Hi-power LEDs  
**Luminous Output :** from 1600lm/m to 5110lm/m (Delivered)  
**Light Source CCT :** 2700K / 3000K / 3500K  
 4000K / Tunable White (2700K-5000K)  
**Color Rendering Index :** Ra90  
**Lifetime :** L80 B10 @ 70,000 Hrs

## ELECTRICAL

**Input Voltage :** 220-240V / UNV 120-277V - 50Hz/60Hz  
**Load :** 16W/m to 66W/m  
**Output Type :** Constant Current  
**Driver Type :** Integral  
**Dimming :** 0-10V / DALI / ELV / DMX  
 Lutron Hi-Lume  
**Code Compliance :** ETL / CSA / CE

Series      Mounting      Nominal Length<sup>1</sup>

### BXH

Series	Mounting	Nominal Length <sup>1</sup>
R	Recessed with Trim	12 300 mm
T	Recessed Trimless	24 600 mm
S	Surface Mounted	36 900 mm
P	Pendant	48 1200 mm
M	Millwork	60 1500 mm
		72 1800 mm
		84 2100 mm
		96 2400 mm
		108 2700 mm
		120 3000 mm
		XX Custom mm

For custom lengths and shapes, consult factory.  
 For exact lengths refer to dimensions table.

Code example: **BXH**-P12W-L2B-W-E927-0

Body Finish	Output	Voltage	Dimming	Baffles	Beam Angle	CRI	Color Temp	Emergency
B Black	L <sup>2</sup> 1600lm/m (16W)	2 220-240V	A No Dimming	W Flat White	S 10°	9 +90	27 2700K	0 No
G Grey	M <sup>2</sup> 2785lm/m (33W)	U Universal 120 to 277V	B 0-10V to 1%	B Flat Black	N 20°		30 3000K	9 <sup>5</sup> 90 mins
W White	H <sup>2</sup> 3835lm/m (49W)		D DALI to 1%	N Black Nickel	M 35°		35 3500K	
X Custom RAL	V <sup>2</sup> 5110lm/m (66W)		E ELV Dimming	C Specular Chrome	W 60°		40 4000K	
	U <sup>3</sup> 2785lm/m (33W)		F DMX	E Diffuse Gold	E 10°x 40°		TW 2700K - 5000K	
	A <sup>3</sup> 5110lm/m (66W)		G <sup>4</sup> LUTRON	X Custom	G 25°x 50°			

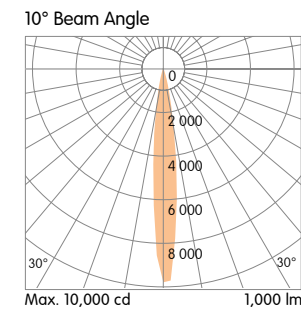
### Notes:

<sup>1</sup> 150 mm length increments available as a modification.  
<sup>2</sup> Denotes output at 3000K, unless otherwise noted.  
<sup>3</sup> Denotes output specific to Tunable White at full on.  
<sup>4</sup> Hi-Lume, Vive, and Athena compatible.

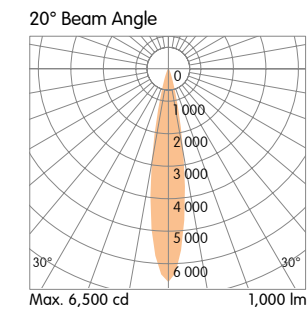
<sup>5</sup> Not applicable for integral driver.

Consult factory for lead-times.  
 Consult factory for systems using multiple optics and mounting configurations.

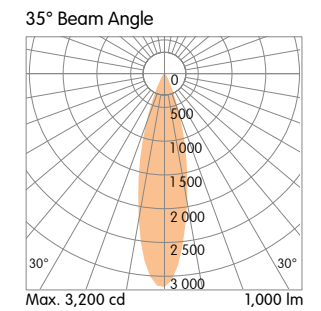
## OPTICAL FLEXIBILITY



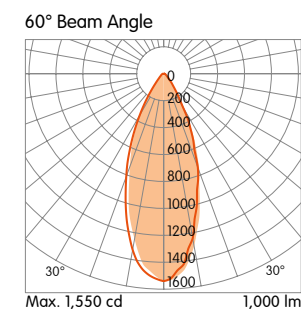
A tight 10° optic is ideal for high-ceiling applications and for emphasizing texture on vertical surfaces and architectural elements.



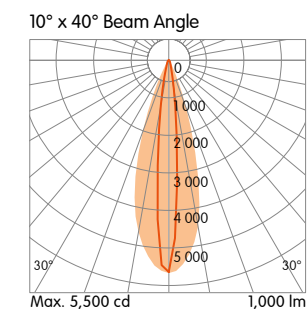
The narrow 20° beam can be used to provide a subtle graze around a perimeter or on vertical surfaces. It is also ideal for general illumination where double or triple height spaces present challenges.



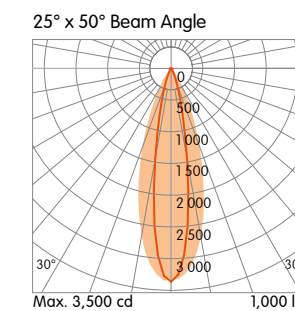
The 35° medium beam is a versatile distribution that can be used in a wide range of spaces and is a good balance between light punch and ambient uniformity.



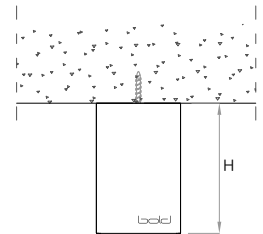
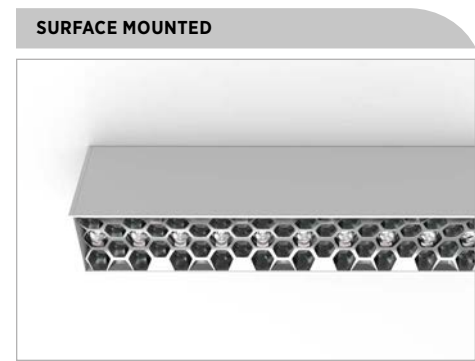
The 60° wide beam is a versatile distribution that can be used in a wide range of spaces and is a good balance between light punch and ambient uniformity.



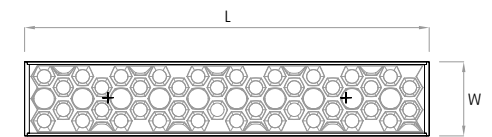
The elliptical beam is optimal for grazing applications and is an effective solution for the illumination of long narrow spaces.



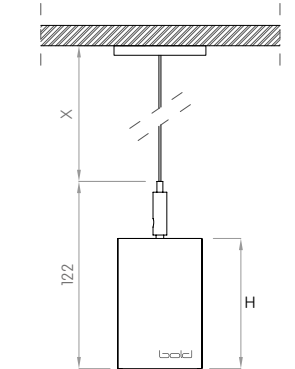
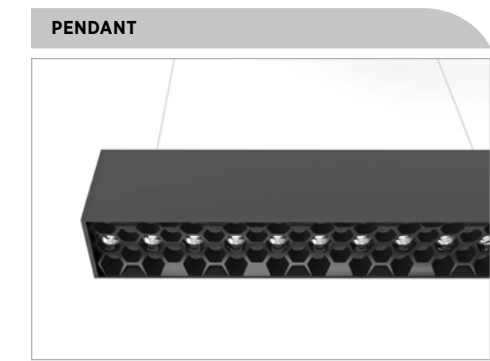
**MOUNTING FLEXIBILITY**  
Per Millimeter



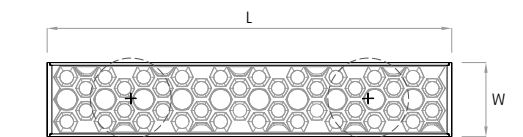
Actual (mm)  
L= 308 | 608 | 908 | 1208 | 1508 | 1808 | 2108 | 2408 | 2708  
3008 | Continuous runs  
W= 55  
H= 85



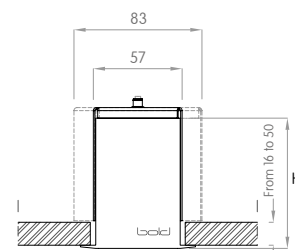
**MOUNTING FLEXIBILITY**  
Per Millimeter



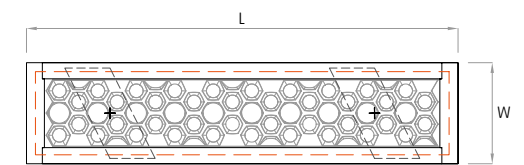
Actual (mm)  
L= 308 | 608 | 908 | 1208 | 1508 | 1808 | 2108 | 2408 | 2708  
3008 | Continuous runs  
W= 55  
H= 85  
X= 1500 or 3000



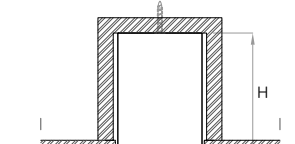
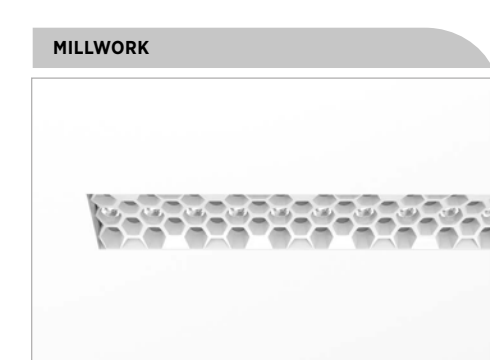
**Note:**  
Pendants are provided with a default 5ft gray electric feed. Please request a modification if a different length or color is required.



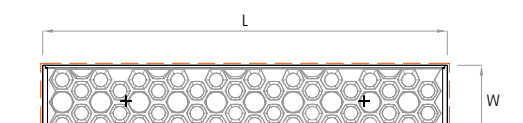
Actual (mm)  
L= 328 | 628 | 928 | 1228 | 1528 | 1828 | 2128 | 2428 | 2728  
3028 | Continuous runs  
W= 75  
H= 85



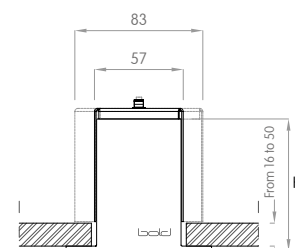
(L-13 x W-13)



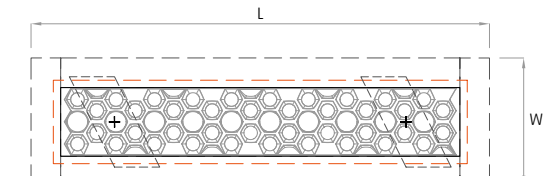
Actual (mm)  
L= 308 | 608 | 908 | 1208 | 1508 | 1808 | 2108 | 2408 | 2708  
3008 | Continuous runs  
W= 55  
H= 85



(L+3 x W+3)



Actual (mm)  
L= 348 | 648 | 948 | 1248 | 1548 | 1848 | 2148 | 2448 | 2748  
3048 | Continuous runs  
W= 95  
H= 85



(L-33 x W-33)

## DELIVERED LUMEN OUTPUT

Per Meter

Output Watts CRI +90

STATIC-WHITE		2700K	3000K	3500K	4000K
L	16W	1600 lm	1600 lm	1600 lm	1600 lm
M	33W	2785 lm	2785 lm	2785 lm	2785 lm
H	49W	3835 lm	3835 lm	3835 lm	3835 lm
V	66W	5110 lm	5110 lm	5110 lm	5110 lm

TUNABLE WHITE 2700K-5000K		2700K	5000K
U	33W	2785 lm	2785 lm
A	66W	5110 lm	5110 lm

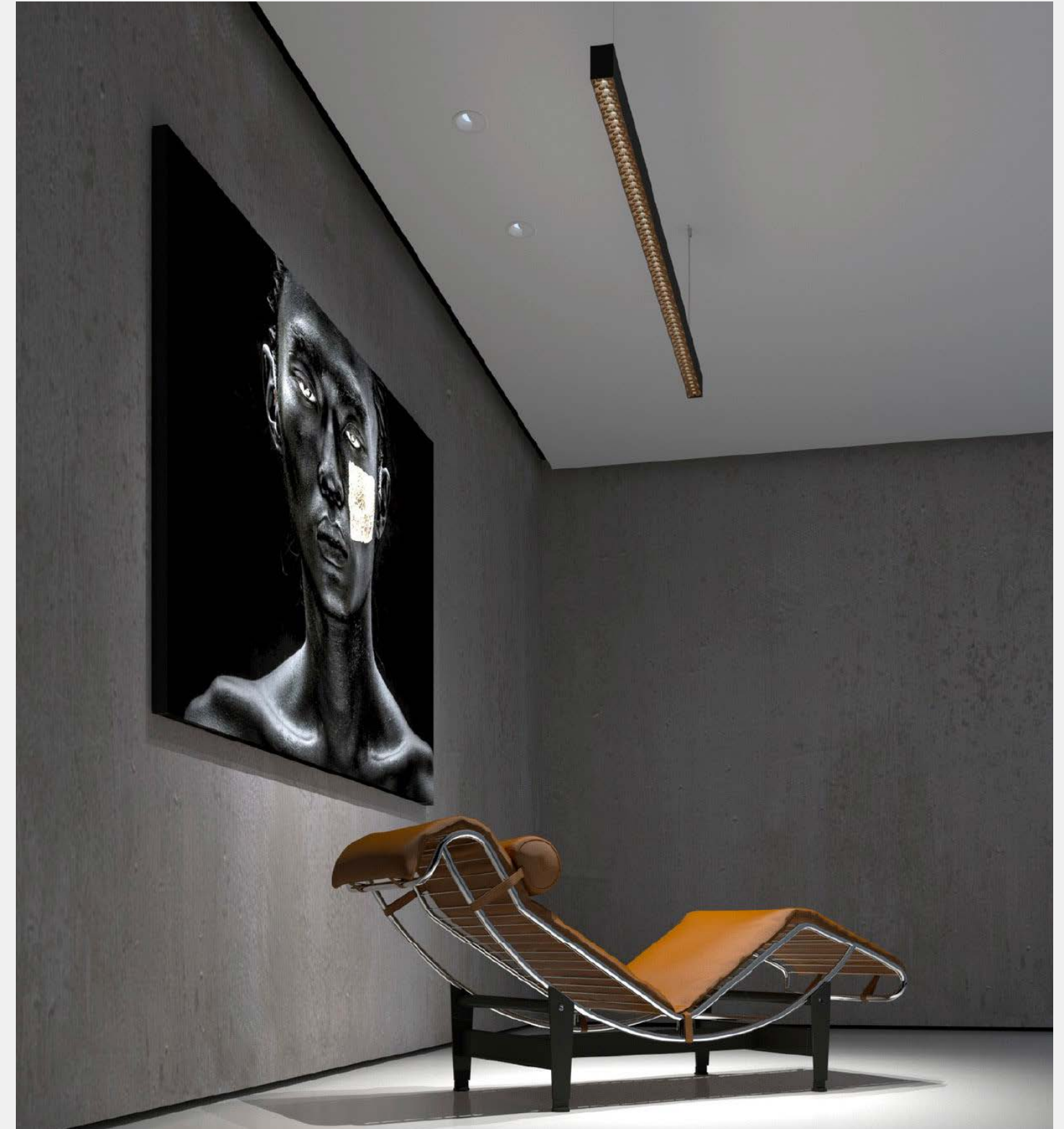
## DIMENSIONS TABLE

Per Meter

12 | 24 | 36 | 48 | 60 | 72 | 84 | 96 | 108 | 120

Height Width Actual Length

	Height	Width	Actual Length									
Surface Mounted	85	55	308	608	908	1208	1508	1808	2108	2408	2708	3008
Recessed with Trim	85	75	328	628	928	1228	1528	1828	2128	2428	2728	3028
Recessed Trimless	85	95	348	648	948	1248	1548	1848	2148	2448	2748	3048
Pendant	85	55	308	608	908	1208	1508	1808	2108	2408	2708	3008
Millwork	85	55	308	608	908	1208	1508	1808	2108	2408	2708	3008



# HONEYCOMB

## Direct/Indirect



### CONSTRUCTION

**Product Type :** Linear  
**Body Material :** Extruded Aluminum  
**Body Finish :** Black / Grey / White  
 Custom RAL  
**IP Rating :** IP20  
**Chicago plenum rated**

### INSTALLATION

**Environment :** Dry / Damp Location  
**Mounting :** Pendant / Wall Mounted  
**Dimensions :** Refer to dimension table

### OPTICS

**Optical Distribution :** Direct - 10° / 20° / 35°  
 60° / Elliptical (10°x40°) (25°x50°)  
 Indirect - Lambertian / Batwing  
**Glare Control :** UGR<19

### LIGHT SOURCE

**Direct Light Source :** Hi-power LEDs  
 Mid-power LEDs  
**Luminous Output :** [ Direct - from 1600lm/m to 5110lm/m (Delivered) ]  
 [ Indirect - from 1110lm/m to 4755lm/m (Delivered) ]  
**Light Source CCT :** 2700K / 3000K / 3500K  
 4000K / Tunable White (2700K-5000K)  
**Color Rendering Index :** Ra90  
**Lifetime :** L80 B10 @ 70,000 Hrs

### ELECTRICAL

**Input Voltage :** 220-240V / UNV 120-277V - 50Hz/60Hz  
**Load :** 16W/m to 66W/m  
**Output Type :** Constant Current  
**Driver Type :** Integral  
**Dimming :** 0-10V / DALI / ELV / DMX  
 Lutron Hi-Lume  
**Code Compliance :** ETL / CSA / CE

Series	Mounting	Nominal Length <sup>1</sup>	Body Finish	
<b>BXIH</b>	A4	Pendant (Aircraft Cable-4')	24 600 mm	W White
	P2	Pendant (Rigid Stem-2')	36 900 mm	B Black
	P3	Pendant (Rigid Stem-3')	48 1200 mm	G Grey
	P4	Pendant (Rigid Stem-4')	60 1500 mm	X Custom RAL
	W0	Wall Mounted	72 1800 mm	
			84 2100 mm	
			96 2400 mm	
			108 2700 mm	
			120 3000 mm	
			XX Custom mm	
			For custom lengths and shapes, consult factory. For exact lengths refer to dimensions table.	

Code example: **BXIH** - A412W-LL2B-W-SL927-0

Output (Direct) <sup>1</sup>	Output (Indirect) <sup>1</sup>	Voltage	Dimming	Baffles	Beam Angle (Direct)	Distribution (Indirect)	CRI	Color Temp	Emergency
L <sup>2</sup> 1600lm/m (16W)	L <sup>2</sup> 1175lm/m (16W)	2 220-240V	A No Dimming	W Flat White	S 10°	B <sup>5</sup> Batwing	9 +90	27 2700K	0 No
M <sup>2</sup> 2785lm/m (33W)	M <sup>2</sup> 2360lm/m (33W)	U Universal 120 to 277V	B 0-10V to 1%	B Flat Black	N 20°	L Opal		30 3000K	9 <sup>6</sup> 90 mins
H <sup>2</sup> 3835lm/m (49W)	H <sup>2</sup> 3540lm/m (49W)		D DALI to 1%	N Black Nickel	M 35°			35 3500K	
V <sup>2</sup> 5110lm/m (66W)	V <sup>2</sup> 4525lm/m (66W)		E ELV Dimming	C Specular Chrome	W 60°			40 4000K	
U <sup>3</sup> 2785lm/m (33W)	U <sup>3</sup> 2480lm/m (33W)		F DMX	E Diffuse Gold	E 10°x 40°			TW 2700K - 5000K	
A <sup>3</sup> 5110lm/m (66W)	A <sup>3</sup> 4755lm/m (66W)		G <sup>4</sup> LUTRON	X Custom	G 25°x 50°				

#### Notes:

- <sup>1</sup> 150 mm length increments available as a modification.
- <sup>2</sup> Denotes output at 3000K, unless otherwise noted.
- <sup>3</sup> Denotes output specific to Dim-to-Warm at 3000K.
- <sup>4</sup> Hi-Lume, Vive, and Athena compatible.
- <sup>5</sup> Batwing distribution is not available for wall mounted application.

<sup>6</sup> Not applicable for integral driver.

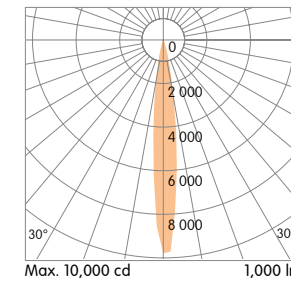
Consult factory for lead-times.  
 Consult factory for systems using multiple optics and mounting configurations.

## OPTICAL FLEXIBILITY

### TIGHT DISTRIBUTION

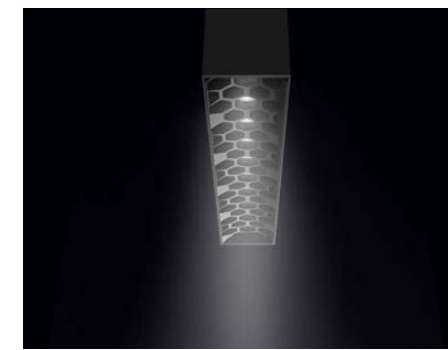


10° Beam Angle

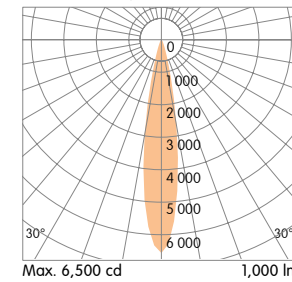


A tight 10° optic is ideal for high-ceiling applications and for emphasizing texture on vertical surfaces and architectural elements.

### NARROW DISTRIBUTION

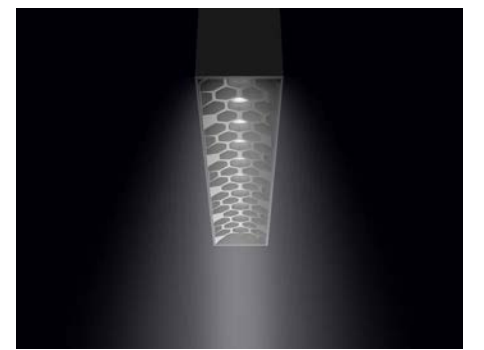


20° Beam Angle

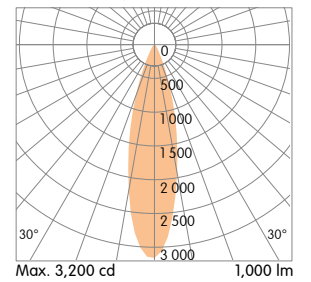


The narrow 20° beam can be used to provide a subtle graze around a perimeter or on vertical surfaces. It is also ideal for general illumination where double or triple height spaces present challenges.

### MEDIUM DISTRIBUTION



35° Beam Angle

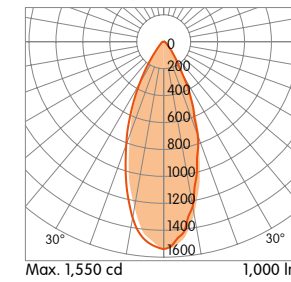


The 35° medium beam is a versatile distribution that can be used in a wide range of spaces and is a good balance between light punch and ambient uniformity.

### WIDE BEAM DISTRIBUTION



60° Beam Angle

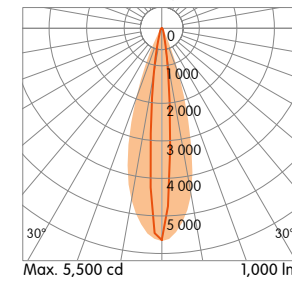


The 60° wide beam is a versatile distribution that can be used in a wide range of spaces and is a good balance between light punch and ambient uniformity.

### ELLIPTICAL BEAM DISTRIBUTION

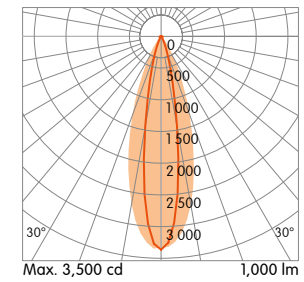


10° x 40° Beam Angle



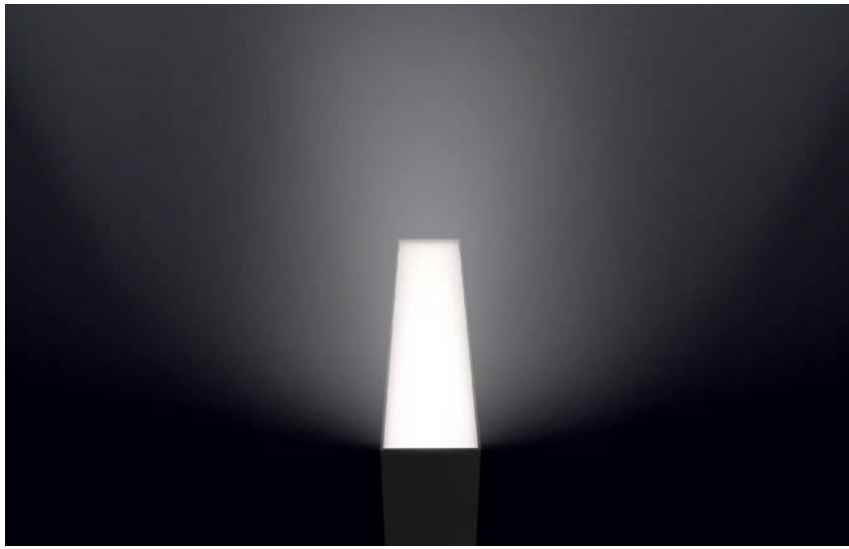
The elliptical beam is optimal for grazing applications and is an effective solution for the illumination of long narrow spaces.

25° x 50° Beam Angle

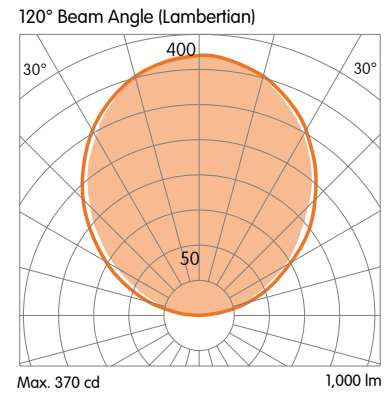


**OPTICAL FLEXIBILITY (INDIRECT)**

**LAMBERTIAN DISTRIBUTION**



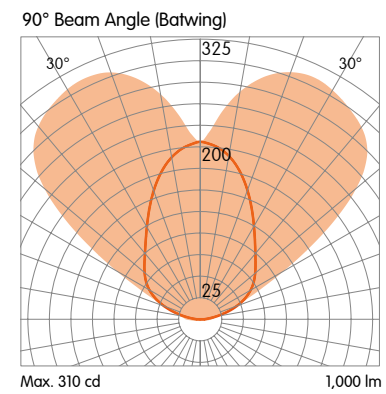
Lambertian distributions are optimal for general lighting, providing a soft and uniform illumination on both horizontal and vertical surfaces. Billet's opal lens is ideal for commercial, retail, institutional, and any other environment where comfortable and even illumination is needed.



**BATWING DISTRIBUTION**



A batwing beam distribution is ideal for open spaces with low ceilings. This light distribution offers high uniformity on horizontal surfaces and allows for wide on-center spacing layouts.



**MOUNTING FLEXIBILITY**  
Per Millimeter

**PENDANT**

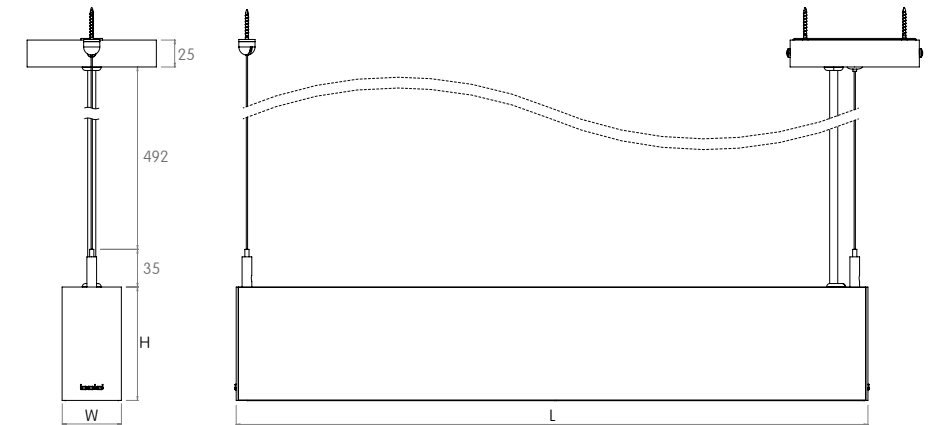
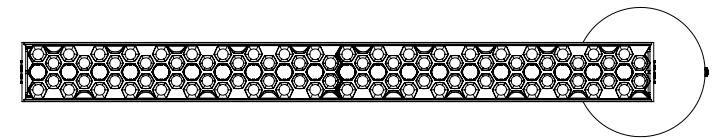


DIRECT



INDIRECT

Actual (mm)  
L= 608 | 908 | 1208 | 1508 | 1808 | 2108 | 2408 | 2708 | 3008 |  
Continuous runs  
W= 55  
H= 85



**MOUNTING FLEXIBILITY**  
Per Millimeter

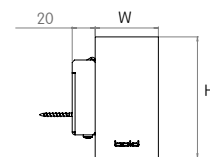
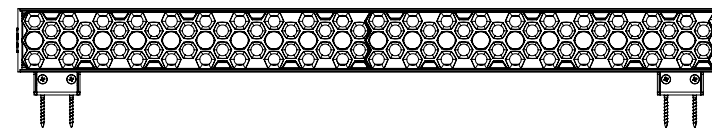


DIRECT



INDIRECT

Actual (mm)  
L= 608 | 908 | 1208 | 1508 | 1808 | 2108 | 2408 | 2708 | 3008 |  
Continuous runs  
W= 55  
H= 85



**DELIVERED LUMEN OUTPUT (DIRECT)**  
Per Meter

Output Watts CRI +90

STATIC-WHITE		2700K	3000K	3500K	4000K
L	16W	1600 lm	1600 lm	1600 lm	1600 lm
M	33W	2785 lm	2785 lm	2785 lm	2785 lm
H	49W	3835 lm	3835 lm	3835 lm	3835 lm
V	66W	5110 lm	5110 lm	5110 lm	5110 lm

TUNABLE WHITE 2700K-5000K		2700K	5000K
U	33W	2785 lm	2785 lm
A	66W	5110 lm	5110 lm

**DELIVERED LUMEN OUTPUT (INDIRECT)**  
Per Meter

Output Watts CRI +90

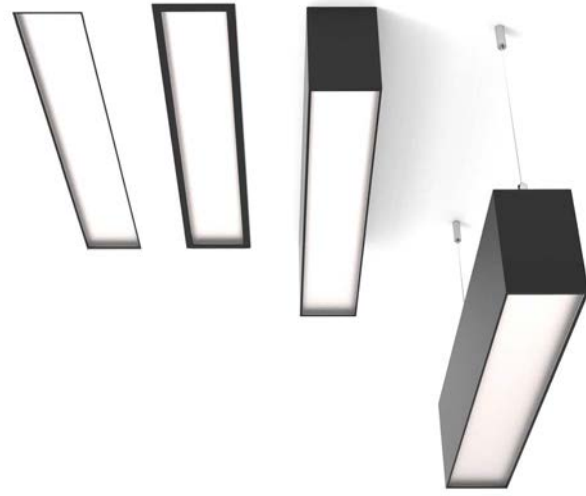
STATIC-WHITE		2700K	3000K	3500K	4000K
L	16W	1110 lm	1175 lm	1210 lm	1235 lm
M	33W	2230 lm	2360 lm	2430 lm	2480 lm
H	49W	3345 lm	3540 lm	3645 lm	3720 lm
V	66W	4280 lm	4525 lm	4665 lm	4755 lm

TUNABLE WHITE 2700K-5000K		2700K	5000K
U	33W	2230 lm	2480 lm
A	66W	4280 lm	4755 lm

**DIMENSIONS TABLE**  
Per Millimeter

		24	36	48	60	72	84	96	108	120	
	Height	Width									
		Actual Length									
Pendant	85	55	608	908	1208	1508	1808	2108	2408	2708	3008
Wall Mounted	85	55	608	908	1208	1508	1808	2108	2408	2708	3008

# OPAL



## CONSTRUCTION

**Product Type :** Linear  
**Body Material :** Extruded Aluminum  
**Body Finish :** Black / Grey / White / Custom RAL  
**IP Rating :** IP44  
**Chicago plenum rated**

## INSTALLATION

**Environment :** Dry / Damp Location  
**Mounting :** Ceiling Recessed (Trim & Trimless) / Wall Mounted Millwork / Surface Mounted / Pendant  
**Dimensions :** Refer to dimension table

## OPTICS

**Optical Distribution :** Lambertian

## LIGHT SOURCE

**Direct Light Source :** Mid-Power LEDs  
**Luminous Output :** from 1110lm/m to 4755lm/m (Delivered)  
**Light Source CCT :** 2700K / 3000K / 3500K 4000K / Tunable White (2700K-5000K)  
**Color Rendering Index :** Ra90  
**Lifetime :** L80 B10 @ 70,000 Hrs

## ELECTRICAL

**Input Voltage :** 220-240V / UNV 120-277V - 50Hz/60Hz  
**Load :** 16W/m to 66W/m  
**Output Type :** Constant Current  
**Driver Type :** Integral  
**Dimming :** 0-10V / DALI / ELV / DMX / Lutron Hi-Lume  
**Code Compliance :** ETL / CSA / CE

Series	Mounting	Nominal Length <sup>1</sup>
--------	----------	-----------------------------

## BIO

R	Recessed with Trim	12 300 mm
T	Recessed Trimless	24 600 mm
S	Surface Mounted	36 900 mm
P	Pendant	48 1200 mm
M	Millwork	60 1500 mm
W	Wall Mounted	72 1800 mm
		84 2100 mm
		96 2400 mm
		108 2700 mm
		120 3000 mm
		XX Custom mm

For custom lengths and shapes, consult factory.  
 For exact lengths refer to dimensions table.

Code example: **BIO**-P12W-L2B-O-L927-0

Body Finish	Output	Voltage	Dimming	Diffuser	Beam Angle	CRI	Color Temp	Emergency
B Black	L <sup>2</sup> 1175lm/m (16W)	2 220-240V	A No Dimming	O Opal	L Opal	9 +90	27 2700K	0 No
G Grey	M <sup>2</sup> 2360lm/m (33W)	U Universal 120 to 277V	B 0-10V to 1%				30 3000K	9 <sup>5</sup> 90 mins
W White	H <sup>2</sup> 3540lm/m (49W)		D DALI to 1%				35 3500K	
X Custom RAL	V <sup>2</sup> 4525lm/m (66W)		E ELV Dimming				40 4000K	
	U <sup>3</sup> 2480lm/m (33W)		F DMX				TW 2700K - 5000K	
	A <sup>3</sup> 4755lm/m (66W)		G <sup>4</sup> LUTRON					

### Notes:

<sup>1</sup> 150 mm length increments available as a modification.  
<sup>2</sup> Denotes output at 3000K, unless otherwise noted.  
<sup>3</sup> Denotes output specific to Tunable White at full on.  
<sup>4</sup> Hi-Lume, Vive, and Athena compatible.

<sup>5</sup> Not applicable for integral driver.

Consult factory for lead-times.  
 Consult factory for systems using multiple optics and mounting configurations.

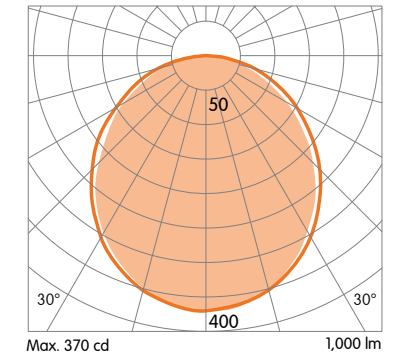
## OPTICAL FLEXIBILITY

### LAMBERTIAN DISTRIBUTION

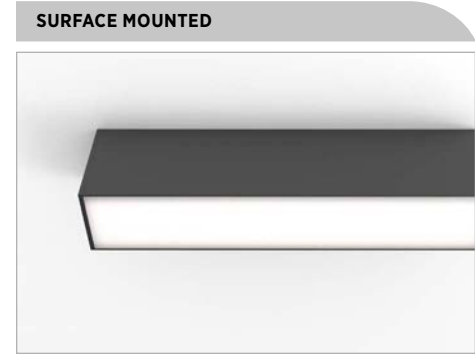


Lambertian distributions are optimal for general lighting, providing a soft and uniform illumination on both horizontal and vertical surfaces. Billef's opal lens is ideal for commercial, retail, institutional, and any other environment where comfortable and even illumination is needed.

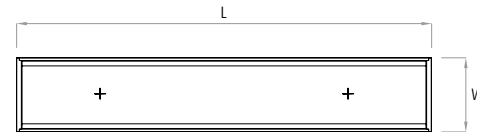
### 120° Beam Angle (Lambertian)




**MOUNTING FLEXIBILITY**  
Per Millimeter



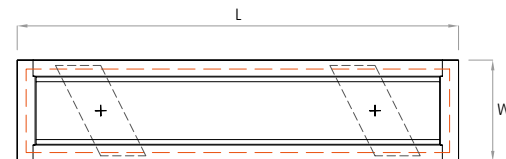
Actual (mm)  
L= 308 | 608 | 908 | 1208 | 1508 | 1808 | 2108 | 2408 | 2708  
3008 | Continuous runs  
W= 55  
H= 85

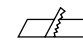


 (L-13 x W-13)



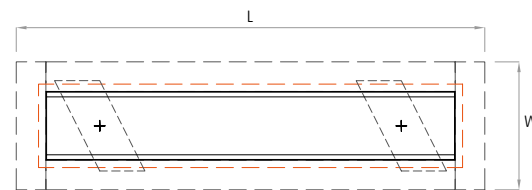
Actual (mm)  
L= 328 | 628 | 928 | 1228 | 1528 | 1828 | 2128 | 2428 | 2728  
3028 | Continuous runs  
W= 75  
H= 85



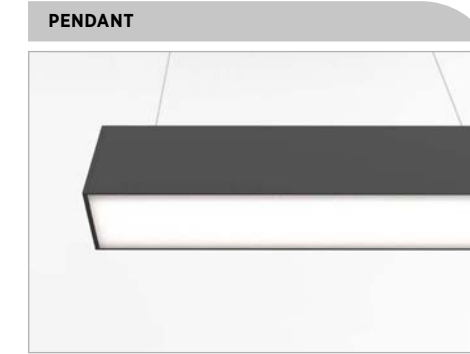
 (L-33 x W-33)



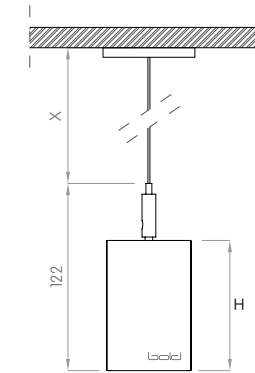
Actual (mm)  
L= 348 | 648 | 948 | 1248 | 1548 | 1848 | 2148 | 2448 | 2748  
3048 | Continuous runs  
W= 95  
H= 85





**MOUNTING FLEXIBILITY**  
Per Millimeter



Actual (mm)  
L= 308 | 608 | 908 | 1208 | 1508 | 1808 | 2108 | 2408 | 2708  
3008 | Continuous runs  
W= 55  
H= 85  
X= 1500 or 3000

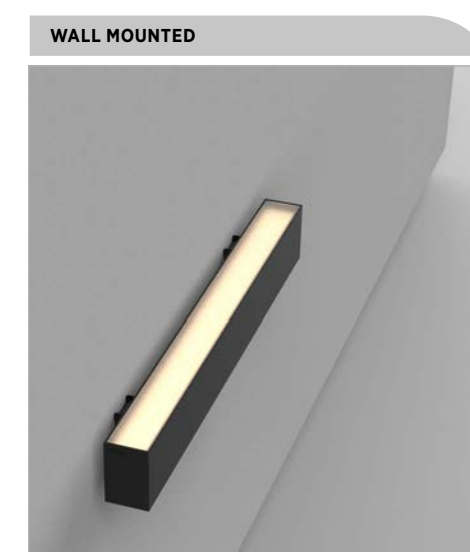
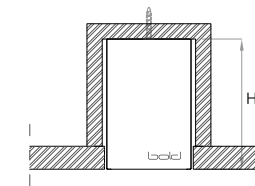


 Note:  
Pendants are provided with a default 5ft gray electric feed. Please request a modification if a different length or color is required.

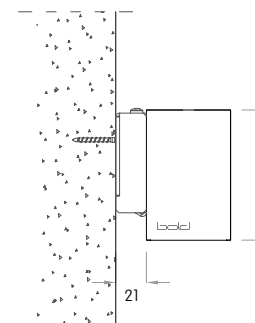
 (L+3 x W+3)



Actual (mm)  
L= 308 | 608 | 908 | 1208 | 1508 | 1808 | 2108 | 2408 | 2708  
3008 | Continuous runs  
W= 55  
H= 85



Actual (mm)  
L= 308 | 608 | 908 | 1208 | 1508 | 1808 | 2108 | 2408 | 2708  
3008 | Continuous runs  
W= 55  
H= 85



## DELIVERED LUMEN OUTPUT

Per Meter

Output Watts CRI +90

STATIC-WHITE		2700K	3000K	3500K	4000K
L	16W	1110 lm	1175 lm	1210 lm	1235 lm
M	33W	2230 lm	2360 lm	2430 lm	2480 lm
H	49W	3345 lm	3540 lm	3645 lm	3720 lm
V	66W	4280 lm	4525 lm	4665 lm	4755 lm

TUNABLE WHITE 2700K-5000K		2700K	5000K
U	33W	2230 lm	2480 lm
A	66W	4280 lm	4755 lm

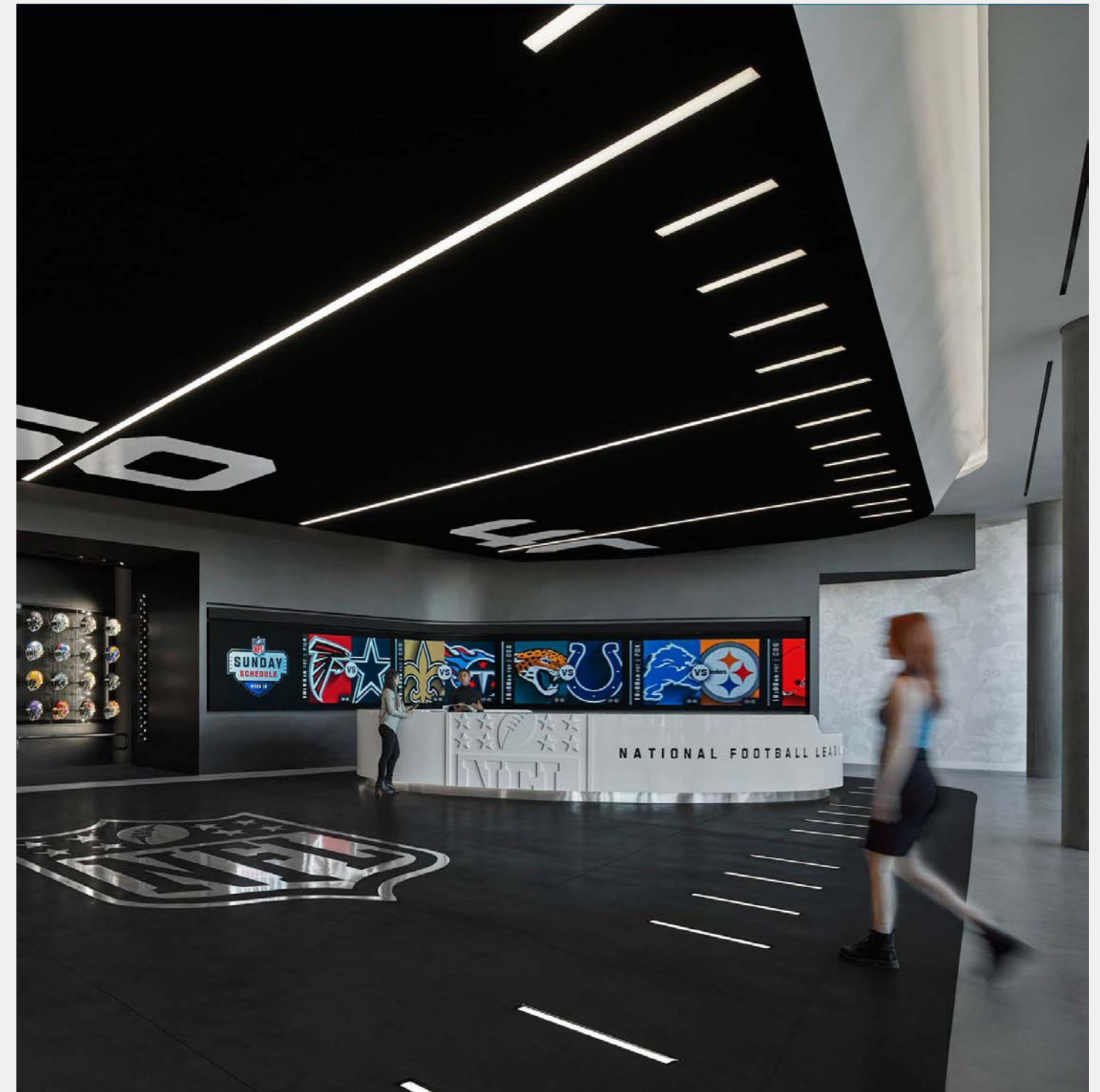
## DIMENSIONS TABLE

Per Meter

	12	24	36	48	60	72	84	96	108	120
--	----	----	----	----	----	----	----	----	-----	-----

Height Width Actual Length

Surface Mounted	85	55	308	608	908	1208	1508	1808	2108	2408	2708	3008
Recessed with Trim	85	75	328	628	928	1228	1528	1828	2128	2428	2728	3028
Recessed Trimless	85	95	348	648	948	1248	1548	1848	2148	2448	2748	3048
Pendant	85	55	308	608	908	1208	1508	1808	2108	2408	2708	3008
Millwork	85	55	308	608	908	1208	1508	1808	2108	2408	2708	3008
Wall Mounted	85	55	308	608	908	1208	1508	1808	2108	2408	2708	3008



NFL Media Center  
Los Angeles, CA

Lighting Design: The Lighting Design Group (LDG)



© Jeff Lewis/AP Images for NFL

NFL Media Center  
Los Angeles, CA  
Lighting Design: The Lighting Design Group (LDG)

# OPAL

## Direct/Indirect



### CONSTRUCTION

**Product Type :** Linear  
**Body Material :** Extruded Aluminum  
**Body Finish :** Black / Grey / White  
 Custom RAL  
**IP Rating :** IP20  
**Chicago plenum rated**

### INSTALLATION

**Environment :** Dry / Damp Location  
**Mounting :** Pendant / Wall Mounted  
**Dimensions :** Refer to dimension table

### OPTICS

**Optical Distribution :** Direct - Lambertian  
 Indirect - Lambertian / Batwing

### LIGHT SOURCE

**Direct Light Source :** Mid-power LEDs  
**Luminous Output :** [ Direct - from 1110lm/m to 4755lm/m (Delivered) ]  
 [ Indirect - from 1110lm/m to 4755lm/m (Delivered) ]  
**Light Source CCT :** 2700K / 3000K / 3500K / 4000K / Tunable White (2700K-5000K)  
**Color Rendering Index :** Ra90  
**Lifetime :** L80 B10 @ 70,000 Hrs

### ELECTRICAL

**Input Voltage :** 220-240V / UNV 120-277V - 50Hz/60Hz  
**Load :** 16W/m to 66W/m  
**Output Type :** Constant Current  
**Driver Type :** Integral  
**Dimming :** 0-10V / DALI / ELV / DMX  
 Lutron Hi-Lume  
**Code Compliance :** ETL / CSA / CE

Series	Mounting	Nominal Length <sup>1</sup>	Body Finish		
<b>BIIO</b>	A4	Pendant (Aircraft Cable-4')	24 600 mm	W White	
	P2	Pendant (Rigid Stem-2')	36 900 mm	B Black	
	P3	Pendant (Rigid Stem-3')	48 1200 mm	G Grey	
	P4	Pendant (Rigid Stem-4')	60 1500 mm	X Custom RAL	
	W0	Wall Mounted	72	1800 mm	
			84	2100 mm	
			96	2400 mm	
			108	2700 mm	
			120	3000 mm	
			XX	Custom mm	

For custom lengths and shapes, consult factory.  
 For exact lengths refer to dimensions table.

Code example: **BIIO**-A424W-LL2B-O-LL927-0

Output (Direct) <sup>1</sup>	Output (Indirect) <sup>1</sup>	Voltage	Dimming	Diffuser	Distribution (Direct)	Distribution (Indirect)	CRI	Color Temp	Emergency					
L <sup>2</sup> 1175lm/m (16W)	L <sup>2</sup> 1175lm/m (16W)	2 220-240V U Universal 120 to 277V	A No Dimming	O Opal	L Opal	B <sup>5</sup> Batwing	9 +90	27 2700K	0 No					
M <sup>2</sup> 2360lm/m (33W)	M <sup>2</sup> 2360lm/m (33W)		B 0-10V to 1%					L Opal		30 3000K	9 <sup>6</sup> 90 mins			
H <sup>2</sup> 3540lm/m (49W)	H <sup>2</sup> 3540lm/m (49W)		D DALI to 1%									35 3500K		
V <sup>2</sup> 4525lm/m (66W)	V <sup>2</sup> 4525lm/m (66W)		E ELV Dimming										40 4000K	
U <sup>3</sup> 2480lm/m (33W)	U <sup>3</sup> 2480lm/m (33W)		F DMX											TW 2700K - 5000K
A <sup>3</sup> 4755lm/m (66W)	A <sup>3</sup> 4755lm/m (66W)		G <sup>4</sup> LUTRON											

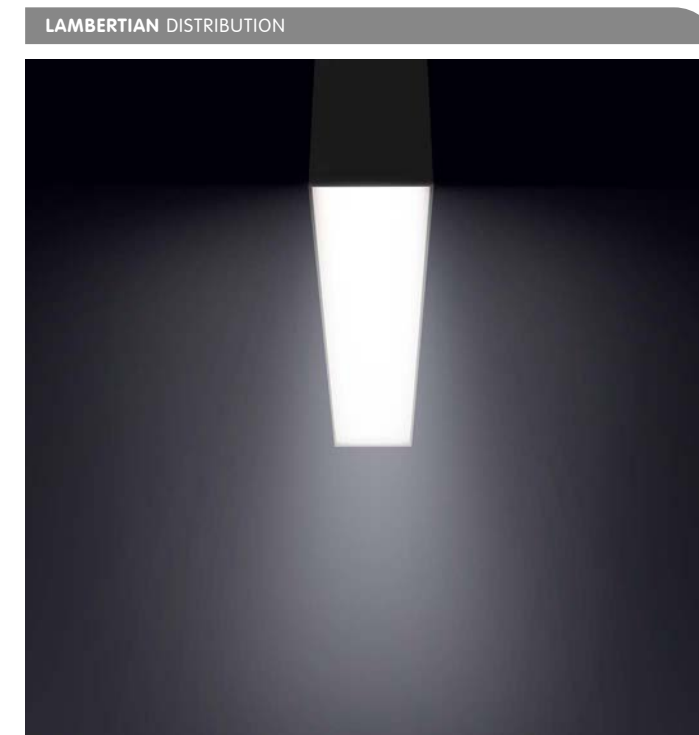
#### Notes:

- <sup>1</sup> 150 mm length increments available as a modification.
- <sup>2</sup> Denotes output at 3000K, unless otherwise noted.
- <sup>3</sup> Denotes output specific to Dim-to-Warm at 3000K.
- <sup>4</sup> Hi-Lume, Vive, and Athena compatible.
- <sup>5</sup> Batwing distribution is not available for wall mounted application.

<sup>6</sup> Not applicable for integral driver.

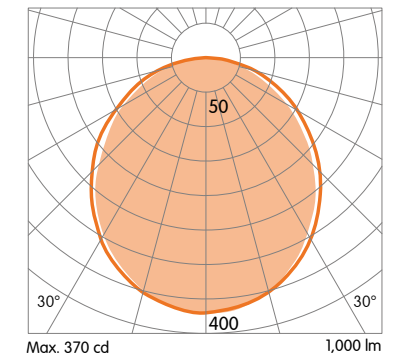
Consult factory for lead-times.  
 Consult factory for systems using multiple optics and mounting configurations.

## OPTICAL FLEXIBILITY (DIRECT)



Lambertian distributions are optimal for general lighting, providing a soft and uniform illumination on both horizontal and vertical surfaces. Billef's opal lens is ideal for commercial, retail, institutional, and any other environment where comfortable and even illumination is needed.

120° Beam Angle (Lambertian)

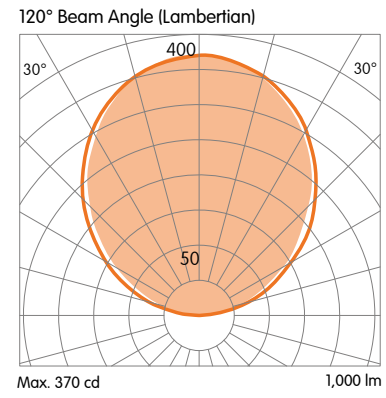


**OPTICAL FLEXIBILITY (INDIRECT)**

**LAMBERTIAN DISTRIBUTION**



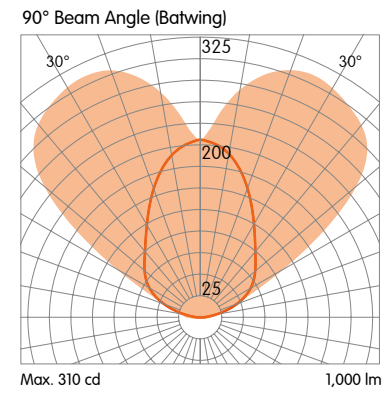
Lambertian distributions are optimal for general lighting, providing a soft and uniform illumination on both horizontal and vertical surfaces. Billet's opal lens is ideal for commercial, retail, institutional, and any other environment where comfortable and even illumination is needed.



**BATWING DISTRIBUTION**



A batwing beam distribution is ideal for open spaces with low ceilings. This light distribution offers high uniformity on horizontal surfaces and allows for wide on-center spacing layouts.



**MOUNTING FLEXIBILITY**  
Per Millimeter

**PENDANT**

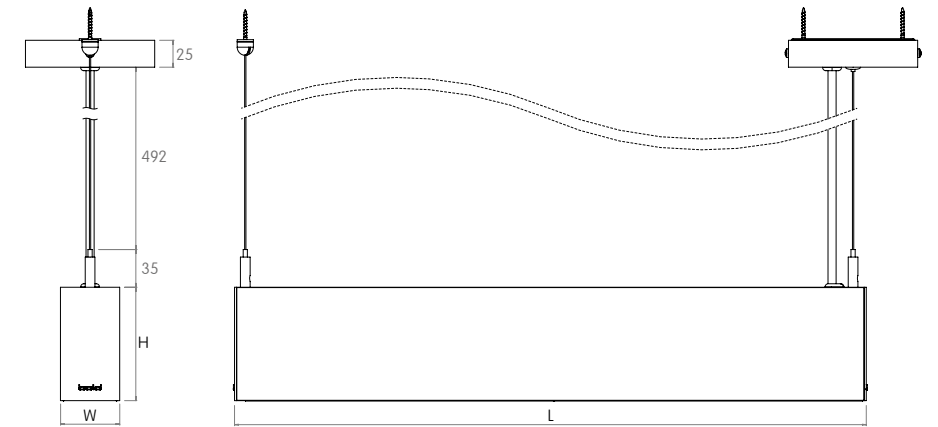
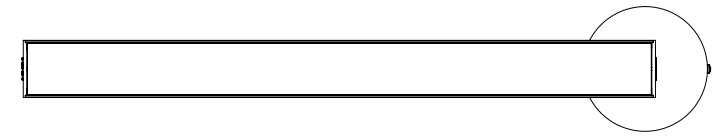


DIRECT



INDIRECT

Actual (mm)  
L= 608 | 908 | 1208 | 1508 | 1808 | 2108 | 2408 | 2708 | 3008 |  
Continuous runs  
W= 55  
H= 85



**MOUNTING FLEXIBILITY**  
Per Millimeter

**WALL MOUNTED**

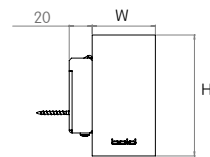
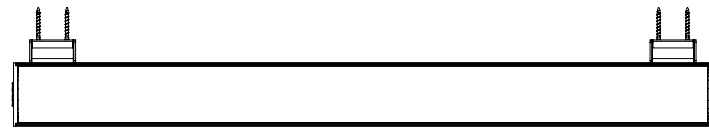
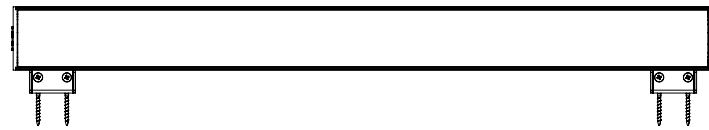


DIRECT



INDIRECT

Actual (mm)  
L= 608 | 908 | 1208 | 1508 | 1808 | 2108 | 2408 | 2708 | 3008 |  
Continuous runs  
W= 55  
H= 85



**DELIVERED LUMEN OUTPUT (DIRECT)**  
Per Meter

Output Watts CRI +90

STATIC-WHITE		2700K	3000K	3500K	4000K
L	16W	1110 lm	1175 lm	1210 lm	1235 lm
M	33W	2230 lm	2360 lm	2430 lm	2480 lm
H	49W	3345 lm	3540 lm	3645 lm	3720 lm
V	66W	4280 lm	4525 lm	4665 lm	4755 lm

TUNABLE WHITE 2700K-5000K		2700K	5000K
U	33W	2230 lm	2480 lm
A	66W	4280 lm	4755 lm

**DELIVERED LUMEN OUTPUT (INDIRECT)**  
Per Meter

Output Watts CRI +90

STATIC-WHITE		2700K	3000K	3500K	4000K
L	16W	1110 lm	1175 lm	1210 lm	1235 lm
M	33W	2230 lm	2360 lm	2430 lm	2480 lm
H	49W	3345 lm	3540 lm	3645 lm	3720 lm
V	66W	4280 lm	4525 lm	4665 lm	4755 lm

TUNABLE WHITE 2700K-5000K		2700K	5000K
U	33W	2230 lm	2480 lm
A	66W	4280 lm	4755 lm

**DIMENSIONS TABLE**  
Per Millimeter

	Height	Width	Actual Length								
			24"	36"	48"	60"	72"	84"	96"	108"	120"
Pendant	85	55	608	908	1208	1508	1808	2108	2408	2708	3008
Wall Mounted	85	55	608	908	1208	1508	1808	2108	2408	2708	3008



## BILLET OUTDOOR

# BAFFLED WALLGRAZER



## CONSTRUCTION

**Product Type :** Linear  
**Body Material :** Extruded Aluminum  
**Body Finish :** Black / Grey / White  
 Custom RAL  
**IP Rating :** IP67 Inground  
 IP66 Ceiling Recessed  
**IK Rating :** IK10  
**Drive Over Rating :** Billet Inground is designed to bear static loads up to 2500 lbs. from vehicles with pneumatic tires. This product is not intended to be used for traffic lanes.  
**Chicago plenum rated**

## INSTALLATION

**Environment :** Wet Location  
**Mounting :** Inground / Ceiling Recessed  
 (Trim & Trimless) / Wall Recessed  
 (Trim & Trimless) / Surface Mounted  
 Wall Mounted / Pendant

## OPTICS

**Optical Distribution :** Wallgraze

## LIGHT SOURCE

**Direct Light Source :** Hi-power LEDs  
**Luminous Output :** from 1270lm/m to 4875lm/m (Delivered)  
**Light Source CCT :** 2700K / 3000K / 3500K  
 4000K / Tunable White (2700K-5000K)  
 Dim-to-Warm (3000K-1800K) / RGBW  
**Color Rendering Index :** Ra90  
**Lifetime :** L80 B10 @ 70,000 Hrs

## ELECTRICAL

**Input Voltage :** 220-240V / UNV 120-277V - 50Hz/60Hz  
**Load :** 16W/m to 66W/m  
**Output Type :** Constant Current  
**Driver Type :** Integral  
**Dimming :** 0-10V / DALI / ELV / DMX / Lutron  
 Hi-Lume  
**Code Compliance :** ETL / CSA / CE

Series	Mounting	Nominal Length <sup>1</sup>
--------	----------	-----------------------------

## BOW

R	Recessed with Trim	12	300 mm
T	Recessed Trimless*	24	600 mm
S	Surface Mounted	36	900 mm
P	Pendant	48	1200 mm
I	Inground*	60	1500 mm
W	Wall Mounted	XX	Custom mm

\* For Inground "I" and Recessed Trimless "T" mountings, the housings will show on the price quote and order as a separate item to allow us to ship them ahead of the fixtures if required by the contractor.

For custom lengths and shapes, consult factory.  
 For exact lengths refer to dimensions table.

Code example: **BOW** - P12W-L2B-W-G927-0

Body Finish	Output	Voltage	Dimming	Baffles	Beam Angle	CRI	Color Temp	Emergency
B Black	L <sup>2</sup> 1450lm/m (16W)	2 220-240V	A No Dimming	W Flat White	G Grazer	9 +90	27 2700K	0 No
G Grey	M <sup>2</sup> 2515lm/m (33W)	U Universal 120 to 277V	B 0-10V to 1%	B Flat Black			30 3000K	
W White	H <sup>2</sup> 3530lm/m (49W)		D DALI to 1%	N Black Nickel			35 3500K	
X Custom RAL	V <sup>2</sup> 4555lm/m (66W)		E ELV Dimming	C Specular Chrome			40 4000K	
	D <sup>3</sup> 1375lm/m (26W)		F DMX	E Diffuse Gold			WD 3000K-1800K	
	W <sup>3</sup> 3915lm/m (59W)		G <sup>6</sup> LUTRON	X Custom			TW 2700K-5000K	
	U <sup>4</sup> 2130lm/m (33W)			RGBW is only available for Specular Chrome and Black Nickel reflector finishes.			CC <sup>7</sup> RGBW	
	A <sup>4</sup> 3915lm/m (66W)							
C <sup>5</sup> 3290lm/m (66W)								

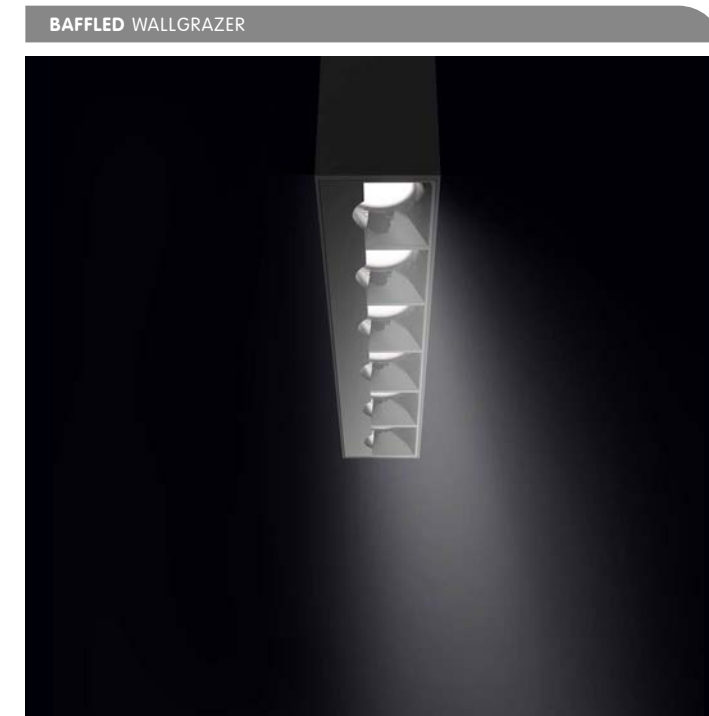
### Notes:

- 150 mm length increments available as a modification.
- Denotes output at 3000K, unless otherwise noted.
- Denotes output specific to Dim-to-Warm at 3000K.
- Denotes output specific to Tunable White at full on.
- Denotes RGBW (C) output with all colors at full power.

- Hi-Lume, Vive, and Athena compatible.
- Only available with DMX dimming.

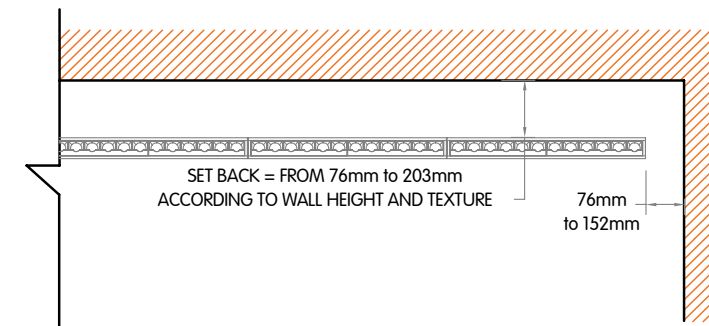
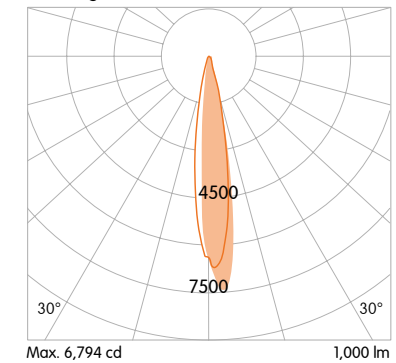
Consult factory for lead-times.  
 Consult factory for systems using multiple optics and mounting configurations.

## OPTICAL FLEXIBILITY



Billet wallgrazer delivers maximum performance for emphasizing textured and rough vertical surfaces. The standard output illuminates walls up to 355mm-0mm with outstanding transversal and longitudinal glare control.

15° Wallgrazer

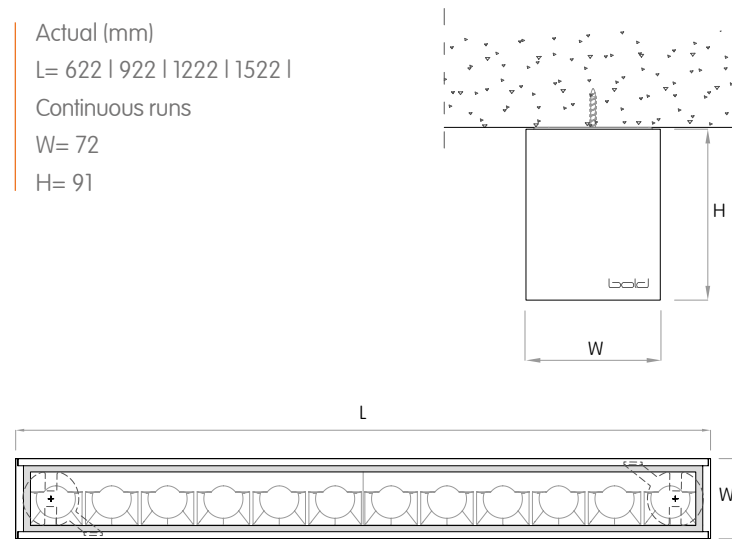


**MOUNTING FLEXIBILITY**  
Per Millimeter

**SURFACE MOUNTED**

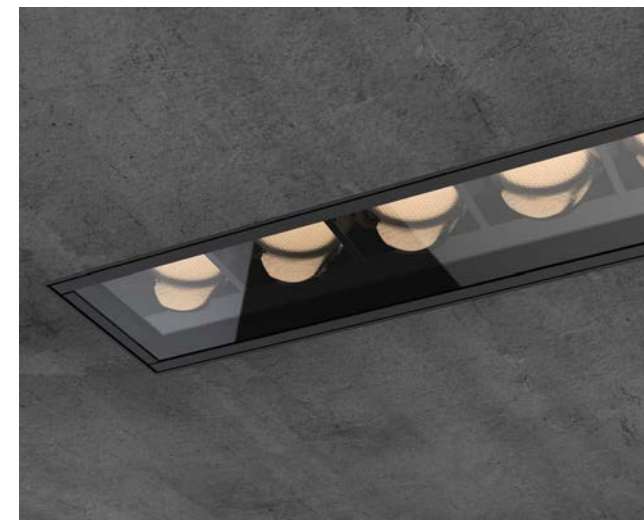


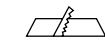
Actual (mm)  
L= 622 | 922 | 1222 | 1522 |  
Continuous runs  
W= 72  
H= 91



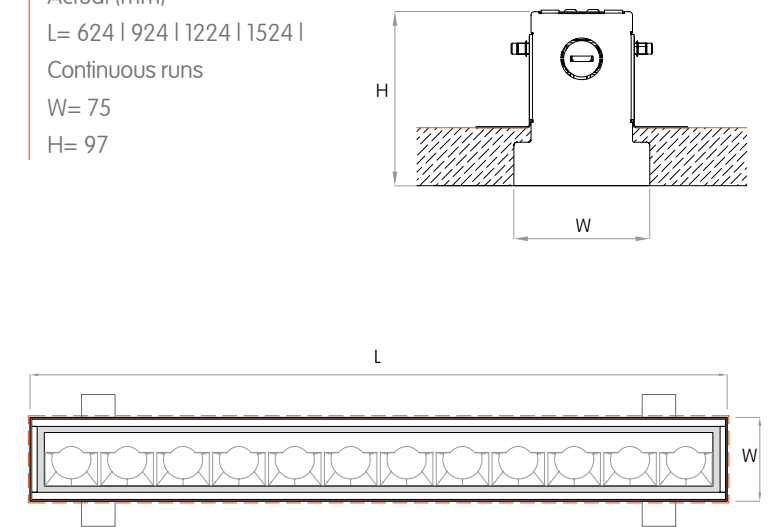
**MOUNTING FLEXIBILITY**  
Per Millimeter

**RECESSED TRIMLESS**



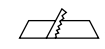
 (L+1.6 x W+1.6)

Actual (mm)  
L= 624 | 924 | 1224 | 1524 |  
Continuous runs  
W= 75  
H= 97

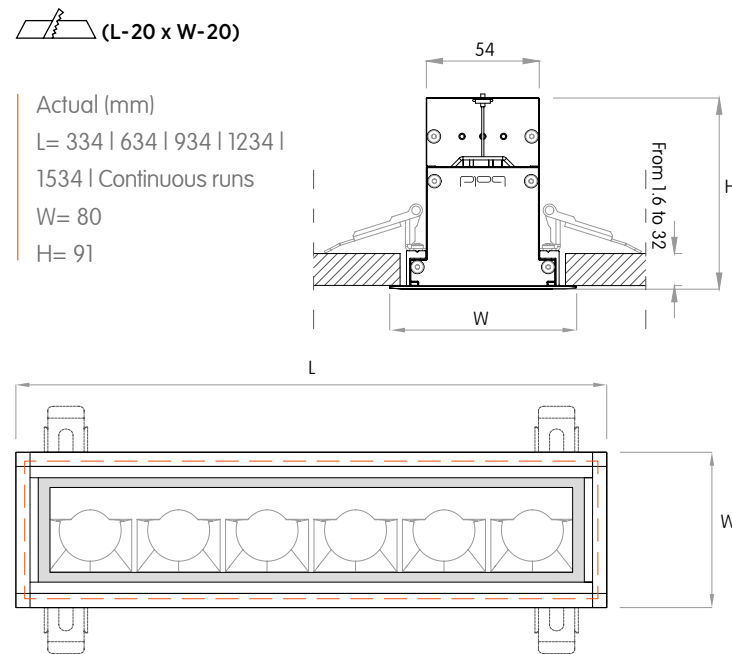


**RECESSED WITH TRIM**

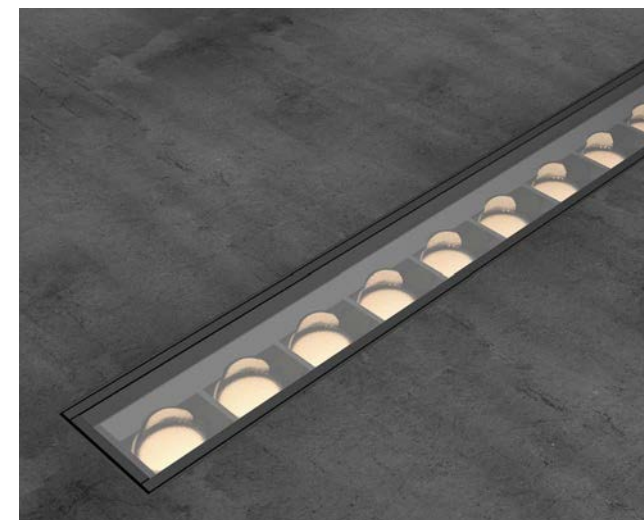


 (L-20 x W-20)

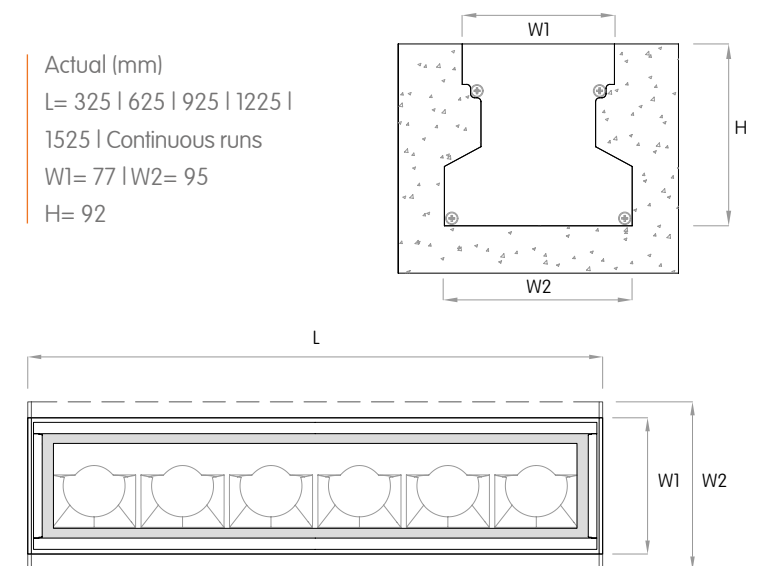
Actual (mm)  
L= 334 | 634 | 934 | 1234 |  
1534 | Continuous runs  
W= 80  
H= 91



**INGROUND**



Actual (mm)  
L= 325 | 625 | 925 | 1225 |  
1525 | Continuous runs  
W1= 77 | W2= 95  
H= 92

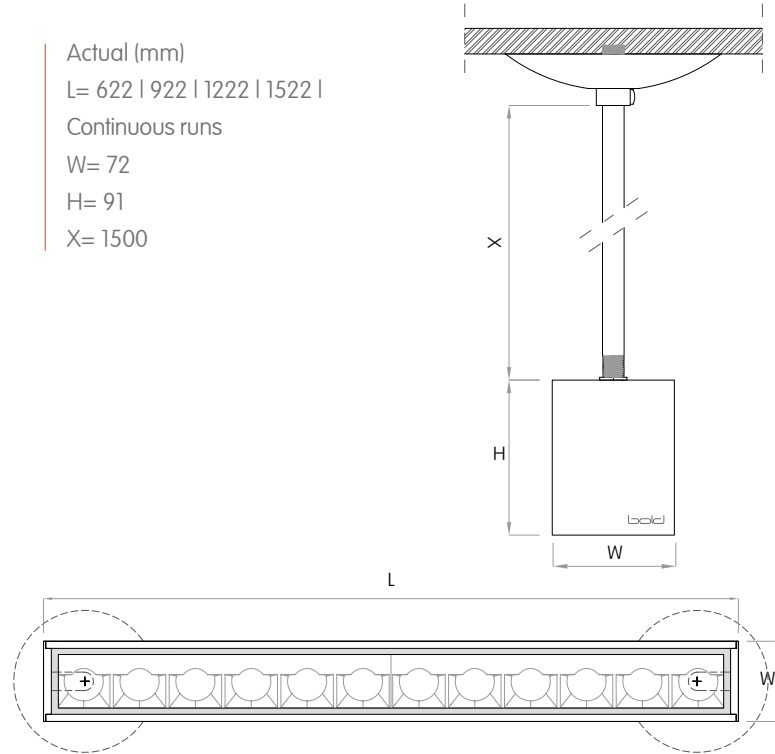


**MOUNTING FLEXIBILITY**  
Per Millimeter

**PENDANT**



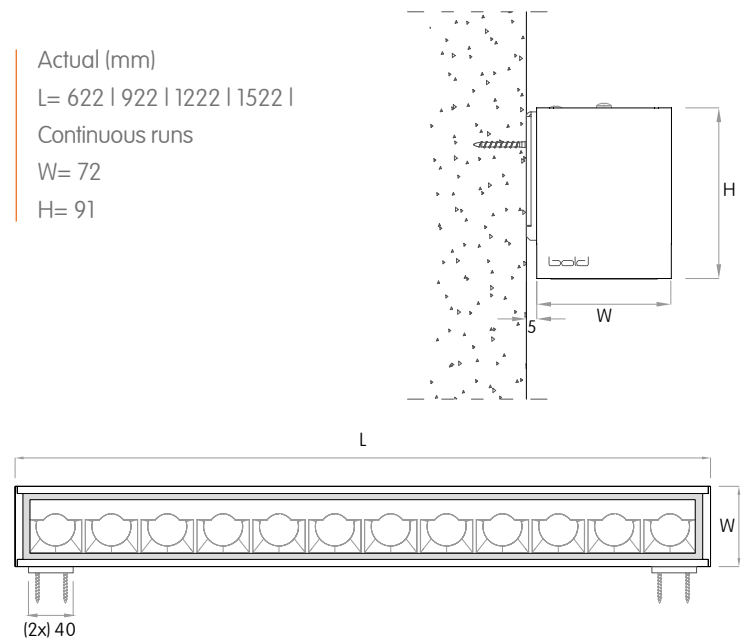
Actual (mm)  
L= 622 | 922 | 1222 | 1522 |  
Continuous runs  
W= 72  
H= 91  
X= 1500



**WALL MOUNTED**



Actual (mm)  
L= 622 | 922 | 1222 | 1522 |  
Continuous runs  
W= 72  
H= 91



**DELIVERED LUMEN OUTPUT**  
Per Meter

Output		Watts		CRI +90				
<b>STATIC-WHITE</b>				<b>2700K</b>	<b>3000K</b>	<b>3500K</b>	<b>4000K</b>	
<b>L</b>	16W			1270 lm	1450 lm	1370 lm	1400 lm	
<b>M</b>	33W			2370 lm	2515 lm	2560 lm	2605 lm	
<b>H</b>	49W			3455 lm	3530 lm	3730 lm	3800 lm	
<b>V</b>	66W			4430 lm	4555 lm	4785 lm	4875 lm	
<b>DIM-TO-WARM</b> 3000K-1800K				<b>3000K</b>				
<b>D</b>	26W			1375 lm				
<b>W</b>	59W			3915 lm				
<b>TUNABLE WHITE</b> 2700K-5000K				<b>2700K</b>				<b>5000K</b>
<b>U</b>	33W			2130 lm				2130 lm
<b>A</b>	66W			3915 lm				3915 lm
<b>RGBW</b>				<b>R</b>	<b>G</b>	<b>B</b>	<b>W</b>	
<b>C</b>	66W			2020 lm	3290 lm	510 lm	3135 lm	

**DIMENSIONS TABLE**

		12		24		36		48		60				
		Height		Width		Actual Length								
Surface Mounted	mm	inch	mm	inch	mm	inch	mm	inch	mm	inch	mm	inch		
		91	3 9/16	72	2 13/16			622	24 1/2	922	36 5/16	1222	48 1/8	1522
Recessed with Trim	91	3 9/16	88	3 7/16	335	13 3/16	634	25	934	36 13/16	1234	48 5/8	1534	60 7/16
Recessed Trimless	97	3 13/16	75	2 15/16			624	24 5/8	924	36 3/8	1224	48 1/4	1524	60
Pendant	91	3 9/16	72	2 13/16			622	24 1/2	922	36 5/16	1222	48 1/8	1522	59 15/16
Inground (with housing)	92	3 5/8	95	3 3/4	325	12 13/16	625	24 5/8	925	36 7/16	1225	48 1/4	1525	60
Wall Mounted	91	3 9/16	72	2 13/16			622	24 1/2	922	36 5/16	1222	48 1/8	1522	59 15/16

# WALLWASHER STEALTH



## CONSTRUCTION

**Product Type :** Linear  
**Body Material :** Extruded Aluminum  
**Body Finish :** Black / Grey / White Custom RAL  
**IP Rating :** IP65 / IP67  
**IK Rating :** IK10  
**Drive Over Rating :** Billet Inground is designed to bear static loads up to 2500 lbs. from vehicles with pneumatic tires. This product is not intended to be used for traffic lanes.  
**Chicago plenum rated**

## INSTALLATION

**Environment :** Wet Location  
**Mounting :** Ceiling Recessed (Trim & Trimless) / Millwork / Surface Mounted Pendant / Inground  
**Dimensions :** Refer to dimension table

## OPTICS

**Optical Distribution :** Wallwash

## LIGHT SOURCE

**Direct Light Source :** Hi-power LEDs  
**Luminous Output :** from 1475lm/m to 3075lm/m (Delivered)  
**Light Source CCT :** 2700K / 3000K 3500K / 4000K  
**Color Rendering Index :** Ra90  
**Lifetime :** L80 B10 @ 70,000 Hrs

## ELECTRICAL

**Input Voltage :** 220-240V / UNV 120-277V - 50Hz/60Hz  
**Load :** 33W/m to 66W/m  
**Output Type :** Constant Current  
**Driver Type :** Integral  
**Dimming :** 0-10V / DALI / ELV / DMX / Lutron Hi-Lume  
**Code Compliance :** ETL / CSA / CE

## OPTICAL FLEXIBILITY



The Stealth Reflector provides even illumination of vertical surfaces with a flexible set back of 1/5 of the wall height and an offset to spacing ratio of 1:1. Stealth's optics are designed to wash large areas where exceptional uniformity and a quiet ceiling is required.

Series	Mounting	Nominal Length <sup>1</sup>	Body Finish
<b>BOK</b>	R Recessed with Trim	12 300 mm	W White
	T Recessed Trimless*	24 600 mm	B Black
	S Surface Mounted	36 900 mm	G Grey
	P Pendant	48 1200 mm	X Custom RAL
	M Millwork	60 1500 mm	
	I Inground*	XX Custom mm	

\* For Inground "I" and Recessed Trimless "T" mountings, the housings will show on the price quote and order as a separate item to allow us to ship them ahead of the fixtures if required by the contractor.

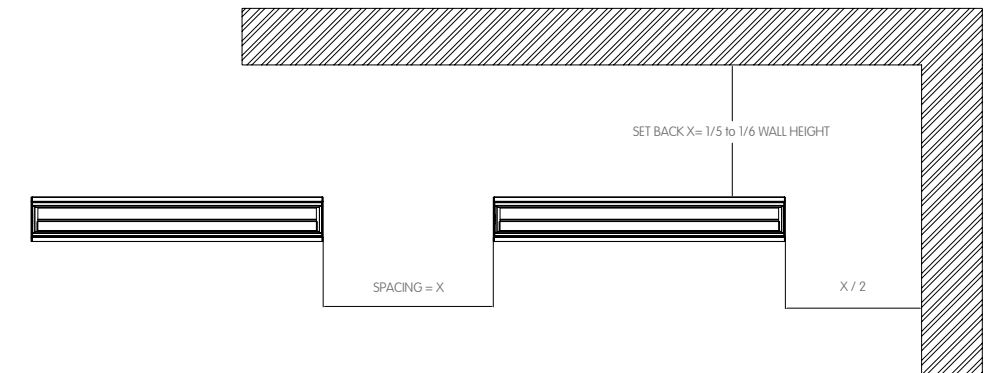
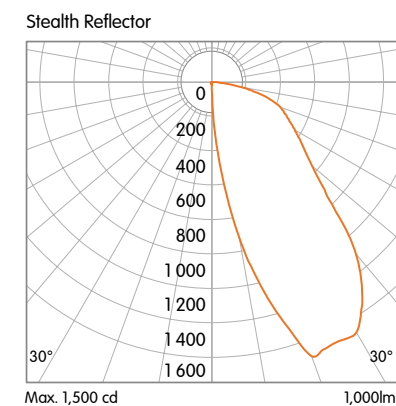
For custom lengths and shapes, consult factory.  
 For exact lengths refer to dimensions table.

Code example: **BOK**-P12W-H2B-W-W927-0

Output	Voltage	Dimming	Baffle	Beam Angle	CRI	Color Temp	Emergency
M <sup>2</sup> 1535lm/m (33W)	2 220-240V	A No Dimming	W White	W Washer	9 +90	27 2700K	0 No
H <sup>2</sup> 2015lm/m (49W)	U Universal 120 to 277V	B 0-10V to 1%	B Black			30 3000K	
V <sup>2</sup> 2875lm/m (66W)		D DALI to 1%	G Grey			35 3500K	
		E ELV Dimming	X Custom RAL			40 4000K	
		F DMX					
		G <sup>3</sup> LUTRON					

### Notes:

- <sup>1</sup> 150 mm length increments available as a modification. Consult factory for lead-times.
- <sup>2</sup> Denotes output at 3000K, unless otherwise noted. Consult factory for systems using multiple optics and mounting configurations.
- <sup>3</sup> Hi-Lume, Vive, and Athena compatible.

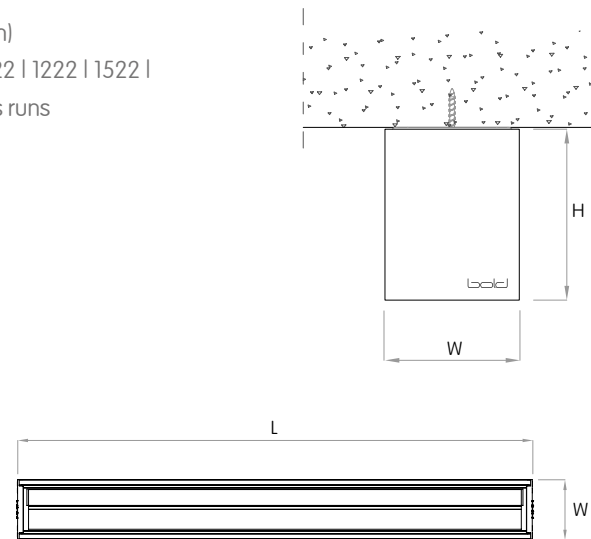


**MOUNTING FLEXIBILITY**  
Per Millimeter

**SURFACE MOUNTED**



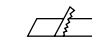
Actual (mm)  
L= 622 | 922 | 1222 | 1522 |  
Continuous runs  
W= 72  
H= 91



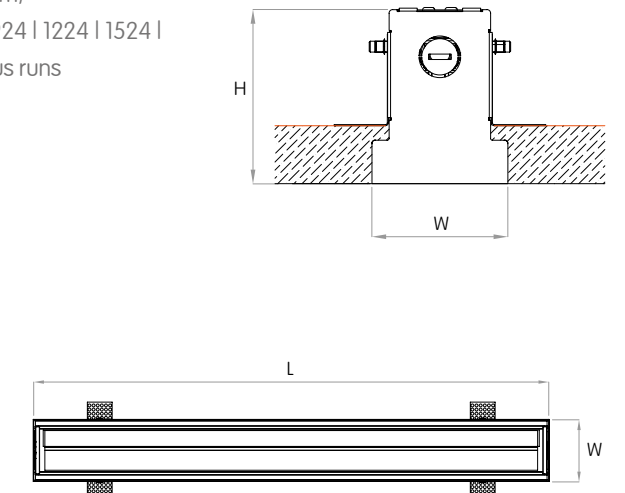
**MOUNTING FLEXIBILITY**  
Per Millimeter

**RECESSED TRIMLESS**



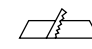
 (L+1.6 x W+1.6)

Actual (mm)  
L= 624 | 924 | 1224 | 1524 |  
Continuous runs  
W= 75  
H= 97

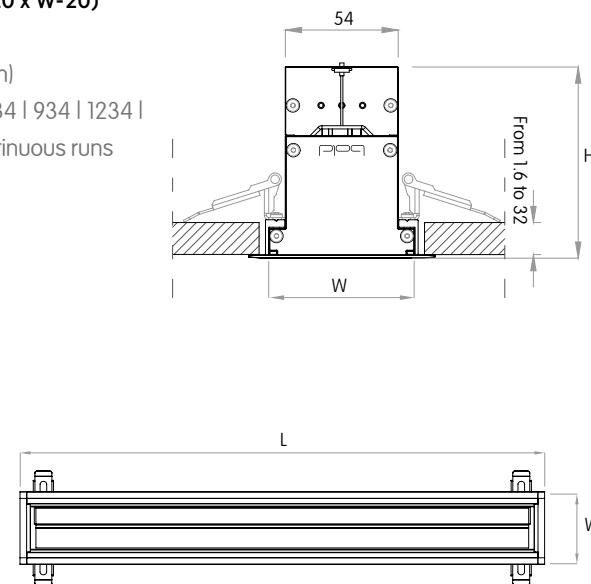


**RECESSED WITH TRIM**

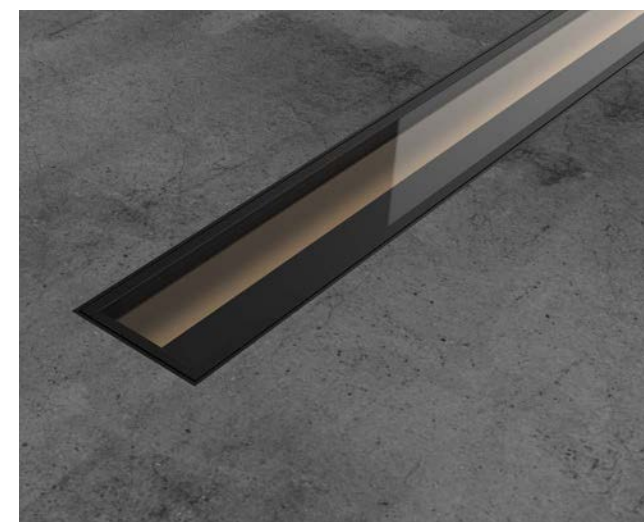


 (L-20 x W-20)

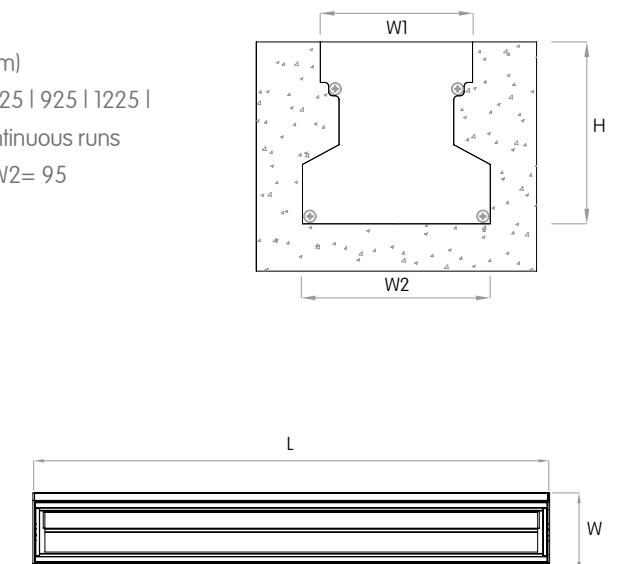
Actual (mm)  
L= 334 | 634 | 934 | 1234 |  
1534 | Continuous runs  
W= 80  
H= 91



**INGROUND**



Actual (mm)  
L= 325 | 625 | 925 | 1225 |  
1525 | Continuous runs  
W1= 77 | W2= 95  
H= 92

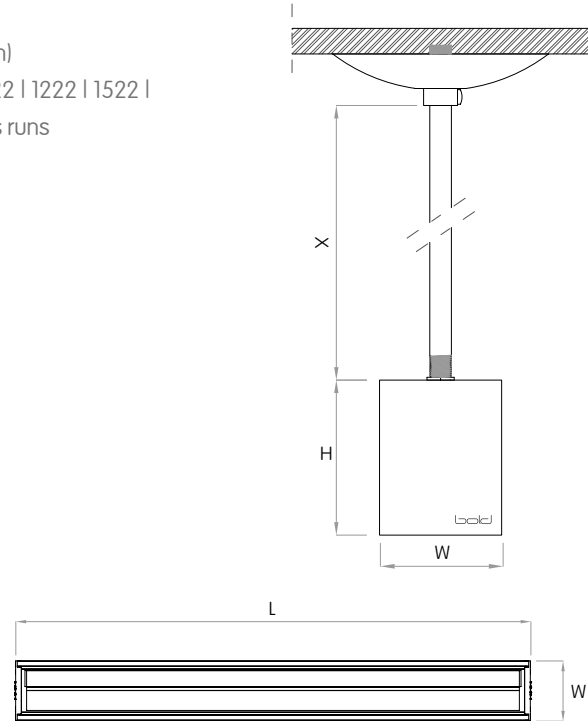


**MOUNTING FLEXIBILITY**  
Per Millimeter

**PENDANT**



Actual (mm)  
L= 622 | 922 | 1222 | 1522 |  
Continuous runs  
W= 72  
H= 91  
X= 1500



**DELIVERED LUMEN OUTPUT**  
Per Meter

Output Watts CRI +90

STATIC-WHITE		2700K	3000K	3500K	4000K
<b>M</b>	33W	1475 lm	1535 lm	1595 lm	1645 lm
<b>H</b>	49W	1930 lm	2015 lm	2090 lm	2155 lm
<b>V</b>	66W	2755 lm	2875 lm	2980 lm	3075 lm

**DIMENSIONS TABLE**

		12		24		36		48		60					
		Height		Width		Actual Length									
		mm	inch	mm	inch	mm	inch	mm	inch	mm	inch	mm	inch		
<b>Surface Mounted</b>		91	3 9/16	72	2 13/16			622	24 1/2	922	36 5/16	1222	48 1/8	1522	59 15/16
<b>Recessed with Trim</b>		91	3 9/16	88	3 7/16	335	13 3/16	634	25	934	36 13/16	1234	48 5/8	1534	60 7/16
<b>Recessed Trimless</b>		97	3 13/16	75	2 15/16			624	24 5/8	924	36 3/8	1224	48 1/4	1524	60
<b>Pendant</b>		91	3 9/16	72	2 13/16			622	24 1/2	922	36 5/16	1222	48 1/8	1522	59 15/16
<b>Inground (with housing)</b>		92	3 5/8	95	3 3/4	325	12 13/16	625	24 5/8	925	36 7/16	1225	48 1/4	1525	60

# BAFFLED WALLWASHER



## CONSTRUCTION

**Product Type :** Linear  
**Body Material :** Extruded Aluminum  
**Body Finish :** Black / Grey / White  
 Custom RAL  
**IP Rating :** IP67 Inground  
 IP66 Ceiling Recessed  
**IK Rating :** IK10  
**Drive Over Rating :** Billet Inground is designed to bear static loads up to 2500 lbs. from vehicles with pneumatic tires. This product is not intended to be used for traffic lanes.  
**Chicago plenum rated**

## INSTALLATION

**Environment :** Wet Location  
**Mounting :** Inground / Ceiling Recessed (Trim & Trimless) / Wall Recessed (Trim & Trimless) / Surface Mounted / Wall Mounted / Pendant

## OPTICS

**Optical Distribution :** Wallwash

## LIGHT SOURCE

**Direct Light Source :** Hi-power LEDs  
**Luminous Output :** from 1080lm/m to 4145lm/m (Delivered)  
**Light Source CCT :** 2700K / 3000K / 3500K / 4000K / Tunable White (2700K-5000K)  
 Dim-to-Warm (3000K-1800K) / RGBW  
**Color Rendering Index :** Ra90  
**Lifetime :** L80 B10 @ 70,000 Hrs

## ELECTRICAL

**Input Voltage :** 220-240V / UNV 120-277V - 50Hz/60Hz  
**Load :** 16W/m to 66W/m  
**Output Type :** Constant Current  
**Driver Type :** Integral  
**Dimming :** 0-10V / DALI / ELV / DMX / Lutron Hi-Lume  
**Code Compliance :** ETL / CSA / CE

Series	Mounting	Nominal Length <sup>1</sup>
--------	----------	-----------------------------

### BOW

R	Recessed with Trim	12	300 mm
T	Recessed Trimless*	24	600 mm
S	Surface Mounted	36	900 mm
P	Pendant	48	1200 mm
I	Inground*	60	1500 mm
W	Wall Mounted	XX	Custom mm

\*For Inground "I" and Recessed Trimless "T" mountings, the housings will show on the price quote and order as a separate item to allow us to ship them ahead of the fixtures if required by the contractor.  
 For custom lengths and shapes, consult factory.  
 For exact lengths refer to dimensions table.

Code example: **BOW** - P12W-L2B-W-W927-0

Body Finish	Output	Voltage	Dimming	Baffles	Beam Angle	CRI	Color Temp	Emergency
B Black	L <sup>2</sup> 1235lm/m (16W)	2 220-240V	A No Dimming	W Flat White	W Washer	9 +90	27 2700K	O No
G Grey	M <sup>2</sup> 2140lm/m (33W)	U Universal 120 to 277V	B 0-10V to 1%	B Flat Black			30 3000K	
W White	H <sup>2</sup> 3005lm/m (49W)		D DALI to 1%	N Black Nickel			35 3500K	
X Custom RAL	V <sup>2</sup> 3875lm/m (66W)		E ELV Dimming	C Specular Chrome			40 4000K	
	D <sup>3</sup> 1170lm/m (26W)		F DMX	E Diffuse Gold			WD 3000K-1800K	
	W <sup>5</sup> 3330lm/m (59W)		G <sup>6</sup> LUTRON	X Custom			TW 2700K - 5000K	
	U <sup>4</sup> 1815lm/m (33W)						CC <sup>7</sup> RGBW	
	A <sup>4</sup> 3330lm/m (66W)							
C <sup>5</sup> 2800lm/m (66W)								

RGBW is only available for Specular Chrome and Black Nickel reflector finishes.

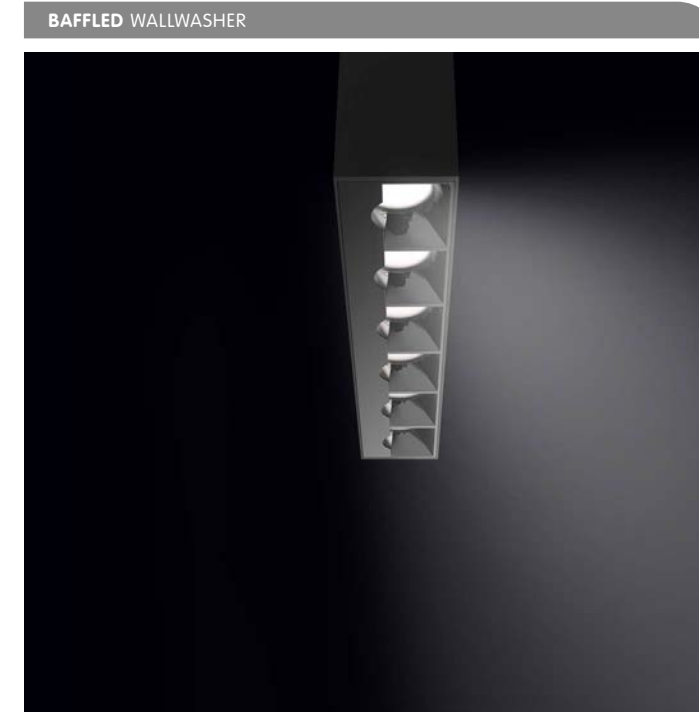
### Notes:

- <sup>1</sup> 150 mm length increments available as a modification.
- <sup>2</sup> Denotes output at 3000K, unless otherwise noted.
- <sup>3</sup> Denotes output specific to Dim-to-Warm at 3000K.
- <sup>4</sup> Denotes output specific to Tunable White at full on.
- <sup>5</sup> Denotes RGBW (C) output with all colors at full power.

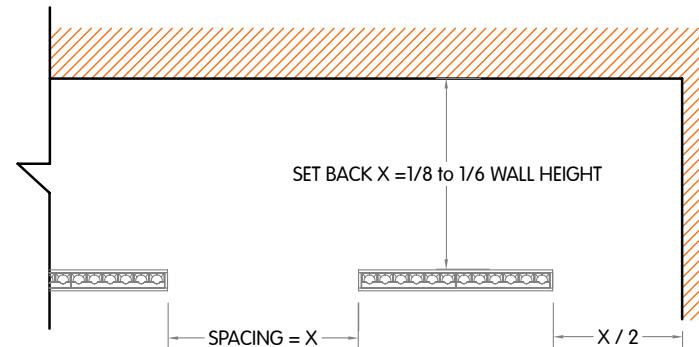
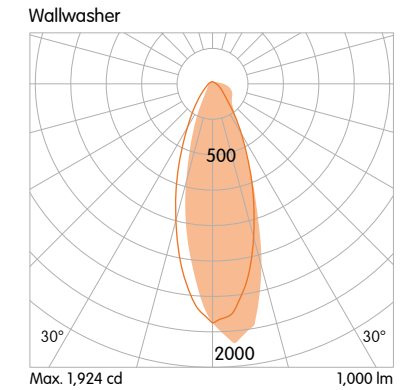
- <sup>6</sup> Hi-lume, Vive, and Athena compatible.
- <sup>7</sup> Only available with DMX dimming.

Consult factory for lead-times.  
 Consult factory for systems using multiple optics and mounting configurations.

## OPTICAL FLEXIBILITY



Billet wallwash provides even illumination of vertical surfaces with a flexible setback of 1/8 to 1/6 of the wall height. This optic is ideal for washing large areas where exceptional uniformity is required.

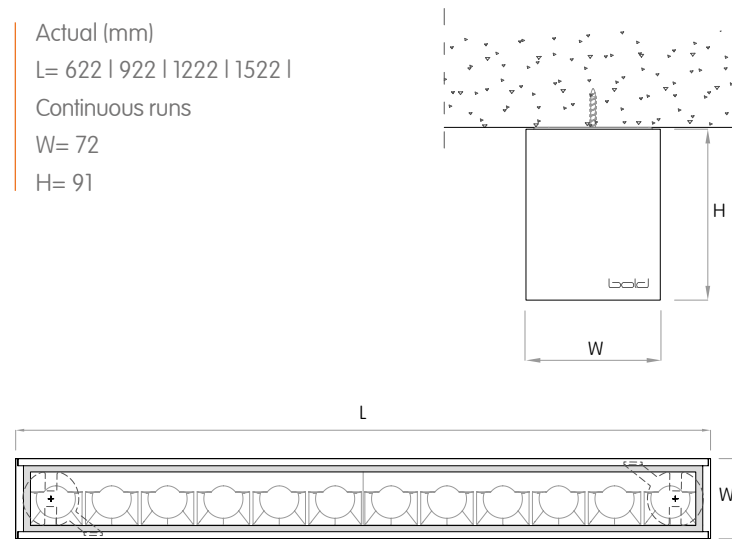


**MOUNTING FLEXIBILITY**  
Per Millimeter

**SURFACE MOUNTED**



Actual (mm)  
L= 622 | 922 | 1222 | 1522 |  
Continuous runs  
W= 72  
H= 91



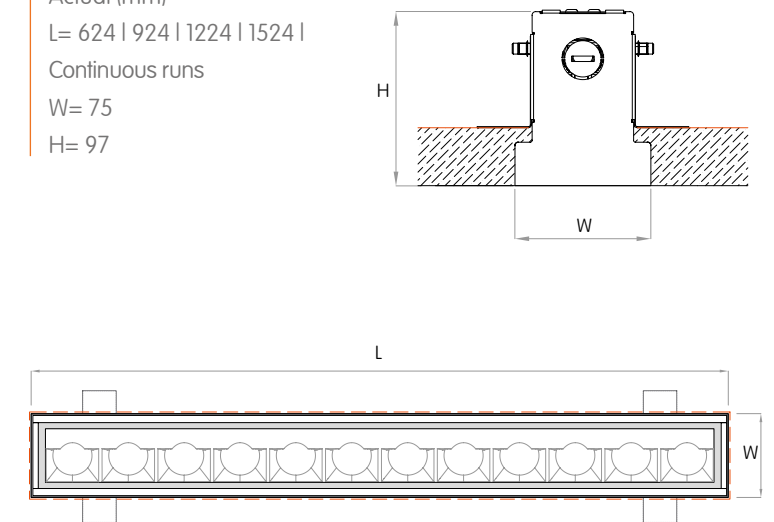
**MOUNTING FLEXIBILITY**  
Per Millimeter

**RECESSED TRIMLESS**

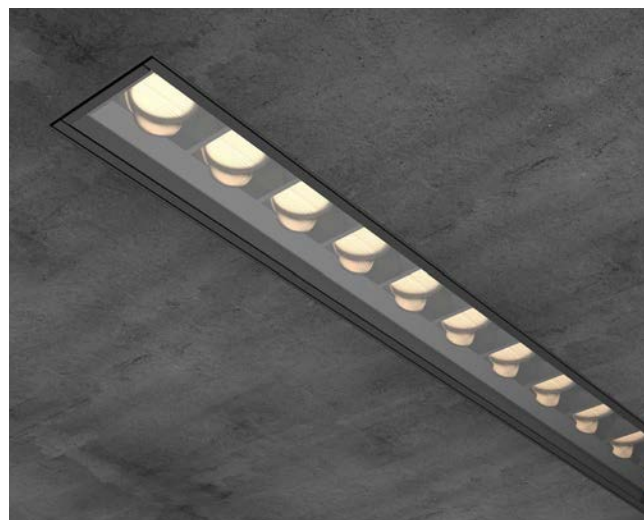


$(L+1.6 \times W+1.6)$

Actual (mm)  
L= 624 | 924 | 1224 | 1524 |  
Continuous runs  
W= 75  
H= 97

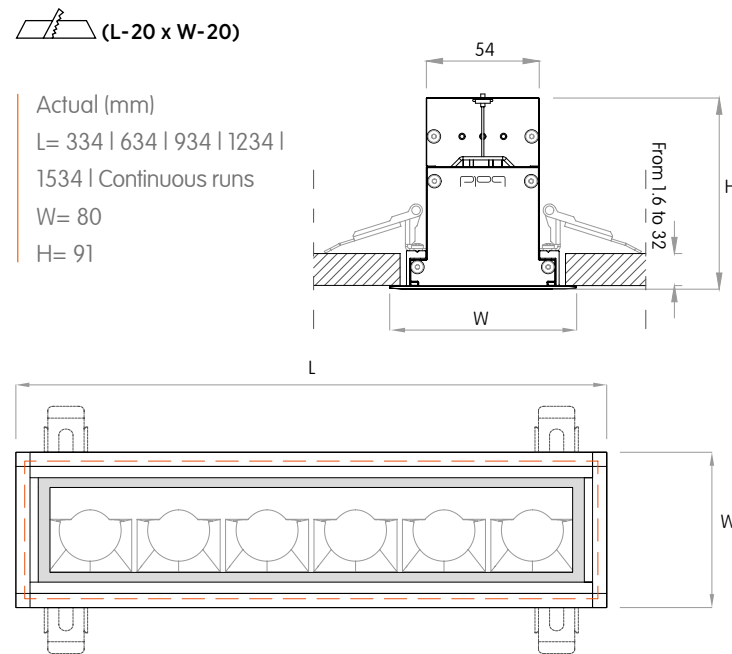


**RECESSED WITH TRIM**

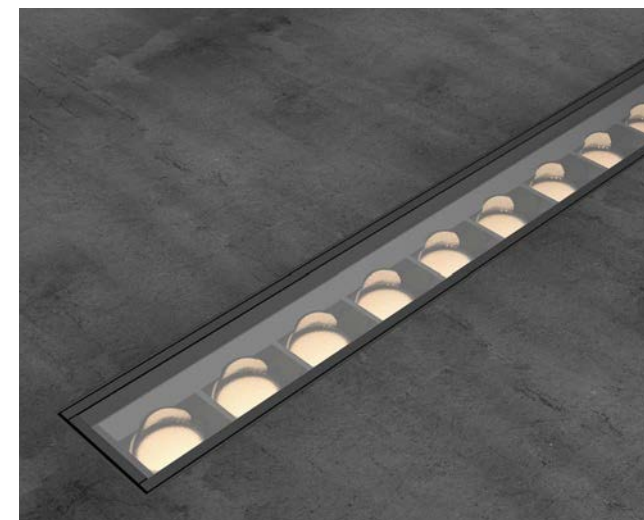


$(L-20 \times W-20)$

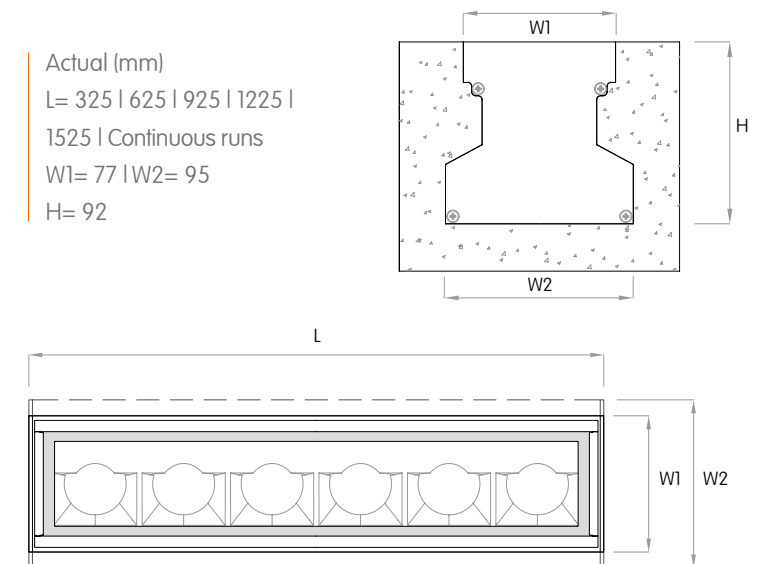
Actual (mm)  
L= 334 | 634 | 934 | 1234 |  
1534 | Continuous runs  
W= 80  
H= 91



**INGROUND**



Actual (mm)  
L= 325 | 625 | 925 | 1225 |  
1525 | Continuous runs  
W1= 77 | W2= 95  
H= 92

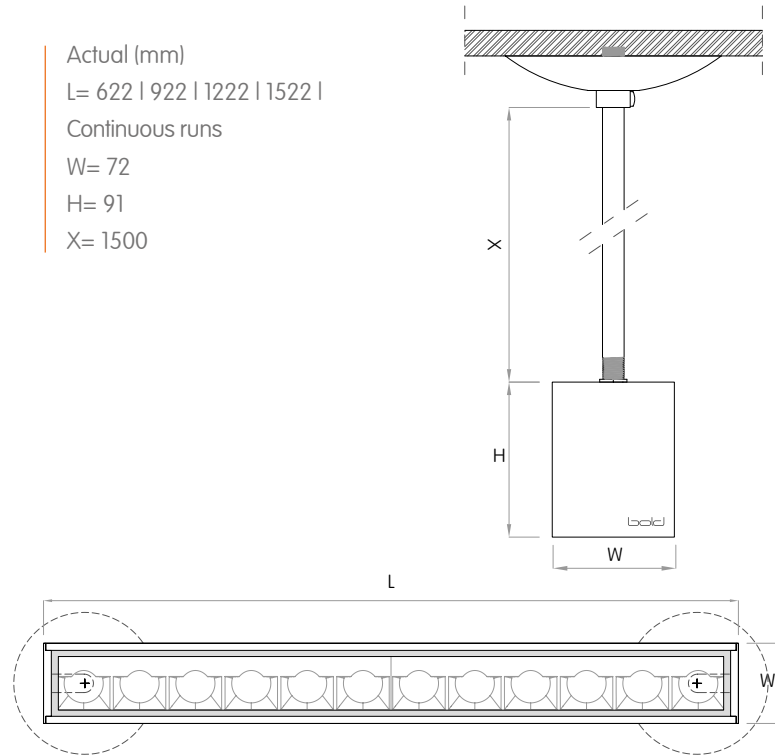


**MOUNTING FLEXIBILITY**  
Per Millimeter

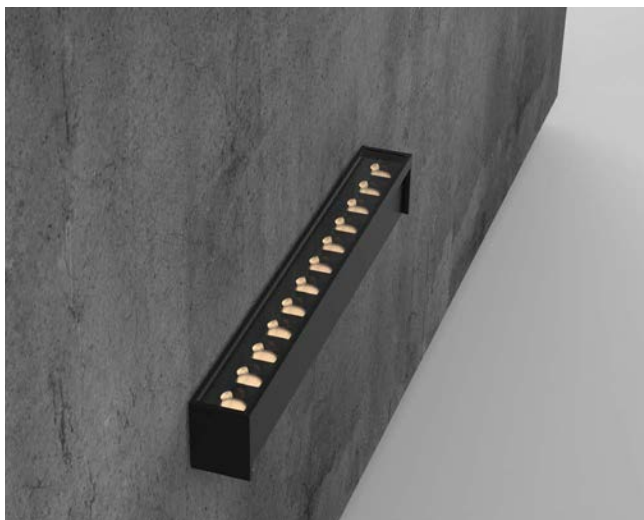
**PENDANT**



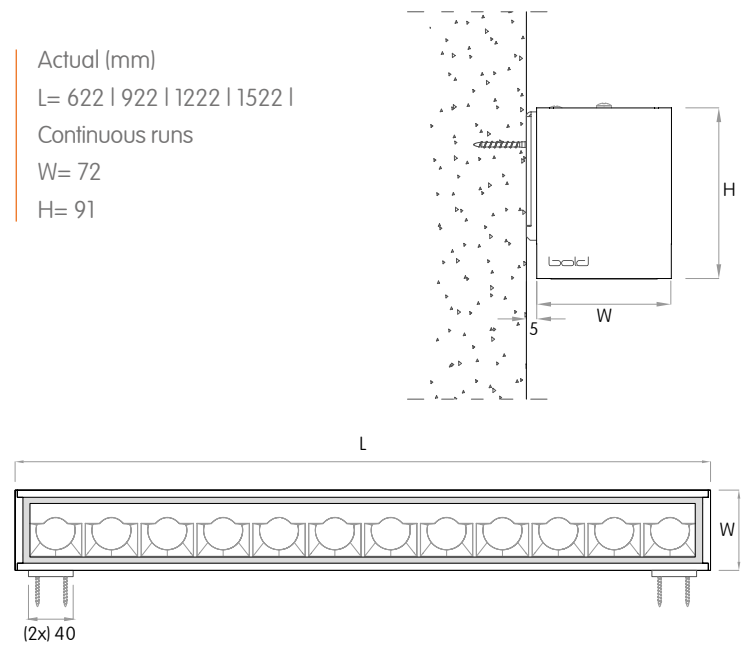
Actual (mm)  
L= 622 | 922 | 1222 | 1522 |  
Continuous runs  
W= 72  
H= 91  
X= 1500



**WALL MOUNTED**



Actual (mm)  
L= 622 | 922 | 1222 | 1522 |  
Continuous runs  
W= 72  
H= 91



**DELIVERED LUMEN OUTPUT**  
Per Meter

Output		Watts		CRI +90				
<b>STATIC-WHITE</b>				<b>2700K</b>	<b>3000K</b>	<b>3500K</b>	<b>4000K</b>	
<b>L</b>	16W			1080 lm	1235 lm	1165 lm	1190 lm	
<b>M</b>	33W			2015 lm	2140 lm	2180 lm	2220 lm	
<b>H</b>	49W			2940 lm	3005 lm	3175 lm	3230 lm	
<b>V</b>	66W			3770 lm	3875 lm	4070 lm	4145 lm	
<b>DIM-TO-WARM</b> 3000K-1800K				<b>3000K</b>				
<b>D</b>	26W			1170 lm				
<b>W</b>	59W			3330 lm				
<b>TUNABLE WHITE</b> 2700K-5000K				<b>2700K</b>			<b>5000K</b>	
<b>U</b>	33W			1815 lm			1815 lm	
<b>A</b>	66W			3330 lm			3330 lm	
<b>RGBW</b>				<b>R</b>	<b>G</b>	<b>B</b>	<b>W</b>	
<b>C</b>	66W			1720 lm	2800 lm	430 lm	2665 lm	

**DIMENSIONS TABLE**

	Height	Width		Actual Length												
		12	24	36	48	60										
	mm	inch	mm	inch	mm	inch	mm	inch	mm	inch	mm	inch	mm	inch	mm	inch
<b>Surface Mounted</b>	91	3 9/16	72	2 13/16			622	24 1/2	922	36 5/16	1222	48 1/8	1522	59 15/16		
<b>Recessed with Trim</b>	91	3 9/16	88	3 7/16	335	13 3/16	634	25	934	36 13/16	1234	48 5/8	1534	60 7/16		
<b>Recessed Trimless</b>	97	3 13/16	75	2 15/16			624	24 5/8	924	36 3/8	1224	48 1/4	1524	60		
<b>Pendant</b>	91	3 9/16	72	2 13/16			622	24 1/2	922	36 5/16	1222	48 1/8	1522	59 15/16		
<b>Inground (with housing)</b>	92	3 5/8	95	3 3/4	325	12 13/16	625	24 5/8	925	36 7/16	1225	48 1/4	1525	60		
<b>Wall Mounted</b>	91	3 9/16	72	2 13/16			622	24 1/2	922	36 5/16	1222	48 1/8	1522	59 15/16		



*East Cobb Ave  
Atlanta, GA  
Lighting Design: Lux et Veritas*

# BILLET SYMMETRICAL BAFFLES



## CONSTRUCTION

**Product Type :** Linear  
**Body Material :** Extruded Aluminum  
**Body Finish :** Black / Grey / White  
 Custom RAL  
**IP Rating :** IP67 Inground  
 IP66 Ceiling Recessed  
**IK Rating :** IK10  
**Drive Over Rating :** Billet Inground is designed to bear static loads up to 2500 lbs. from vehicles with pneumatic tires. This product is not intended to be used for traffic lanes.  
**Chicago plenum rated**

## INSTALLATION

**Environment :** Wet Location  
**Mounting :** Surface Mounted / Pendant  
 Ceiling Recessed (Trim & Trimless)  
 Wall Recessed (Trim & Trimless) / Inground

## OPTICS

**Optical Distribution :** 10° / 20° / 28° / 50°  
 Elliptical (10°x28°) / (10°x36°)  
**Glare Control :** UGR<10

## LIGHT SOURCE

**Direct Light Source :** Hi-power LEDs  
**Luminous Output :** from 1385lm/m to 5310lm/m (Delivered)  
**Light Source CCT :** 2700K / 3000K / 3500K 4000K  
 Tunable White (2700K-5000K)  
 Dim-to-Warm (3000K-1800K) / RGBW  
**Color Rendering Index :** Ra90  
**Lifetime :** L80 B10 @ 70,000 Hrs

## ELECTRICAL

**Input Voltage :** 220-240V / UNV 120-277V  
 - 50Hz/60Hz  
**Load :** 16W/m to 66W/m  
**Output Type :** Constant Current  
**Driver Type :** Integral  
**Dimming :** 0-10V / DALI / ELV / DMX  
 Lutron Hi-Lume  
**Code Compliance :** ETL / CSA / CE

## Series Mounting Nominal Length<sup>1</sup>

### BOS

Series	Mounting	Nominal Length <sup>1</sup>
R	Recessed with Trim	12 300 mm
T	Recessed Trimless*	24 600 mm
S	Surface Mounted	36 900 mm
P	Pendant	48 1200 mm
I	Inground*	60 1500 mm
		XX Custom mm

\*For Inground "I" and Recessed Trimless "T" mountings, the housings will show on the price quote and order as a separate item to allow us to ship them ahead of the fixtures if required by the contractor.

For custom lengths and shapes, consult factory.  
 For exact lengths refer to dimensions table.

Code example: **BOS**-P12W-L2B-W-E927-0

## Body Finish Output Voltage Dimming Baffles Beam Angle CRI Color Temp Emergency

Body Finish	Output	Voltage	Dimming	Baffles	Beam Angle	CRI	Color Temp	Emergency
B Black	L <sup>2</sup> 1580lm/m (16W)	2 220-240V	A No Dimming	W Flat White	S 10°	9 +90	27 2700K	0 No
G Grey	M <sup>2</sup> 2740lm/m (33W)	U Universal 120 to 277V	B 0-10V to 1%	B Flat Black	N 20°		30 3000K	
W White	H <sup>2</sup> 3845lm/m (49W)		D DALI to 1%	N Black Nickel	M 28°		35 3500K	
X Custom RAL	V <sup>2</sup> 4960lm/m (66W)		E ELV Dimming	C Specular Chrome	F 50°		40 4000K	
	D <sup>3</sup> 1500m/m (26W)		F DMX	E Diffuse Gold	E 10°x 28°		WD 3000K-1800K	
	W <sup>3</sup> 4265lm/m (59W)		G <sup>4</sup> LUTRON	X Custom	G 10°x 36°		TW 2700K-5000K	
	U <sup>4</sup> 2325lm/m (33W)						CC <sup>5</sup> RGBW	
	A <sup>4</sup> 4265lm/m (66W)							
	C <sup>5</sup> 3585lm/m (66W)							

### Notes:

- <sup>1</sup> 150 mm length increments available as a modification.
- <sup>2</sup> Denotes output at 3000K, unless otherwise noted.
- <sup>3</sup> Denotes output specific to Dim-to-Warm at 3000K.
- <sup>4</sup> Denotes output specific to Tunable White at full on.
- <sup>5</sup> Denotes RGBW (C) output with all colors at full power.

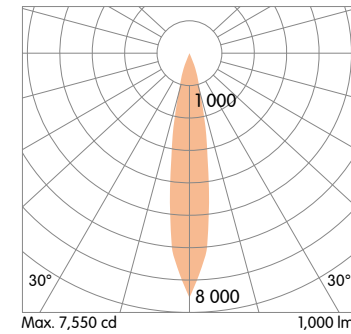
- <sup>6</sup> Hi-Lume, Vive, and Athena compatible.
  - <sup>7</sup> Only available with DMX dimming.
- Consult factory for lead-times.  
 Consult factory for systems using multiple optics and mounting configurations.

## OPTICAL FLEXIBILITY

### TIGHT BEAM SYMMETRICAL BAFFLE



#### 10° Beam Angle

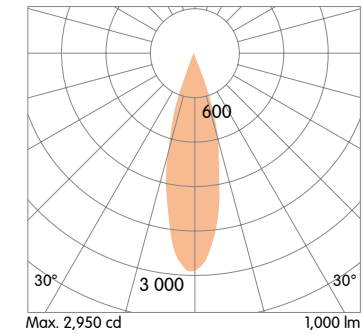


A tight 10° beam is ideal for high-ceiling applications and for emphasizing texture on vertical surfaces and architectural elements.

### NARROW BEAM SYMMETRICAL BAFFLE



#### 20° Beam Angle

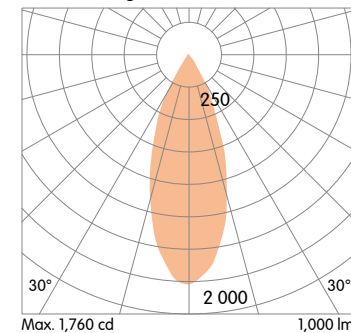


The 20° narrow beam is a versatile distribution that works in a wide range of applications and spaces. This optic is a nice balance between light punch and ambient uniformity.

### FLOOD BEAM SYMMETRICAL BAFFLE

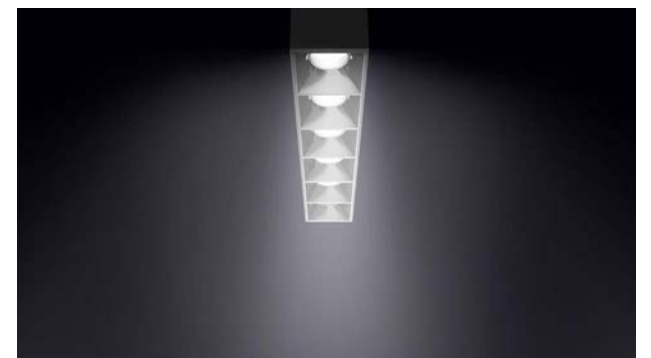


#### 50° Beam Angle

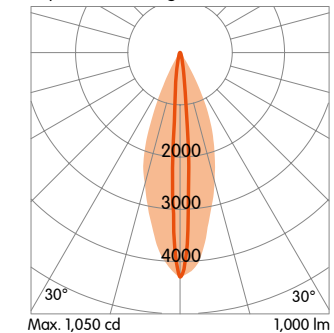


A 50° flood beam is the optimal option for achieving efficient ambient lighting with excellent uniformity and very low glare.

### ELLIPTICAL DISTRIBUTION



#### Elliptical Beam Angle



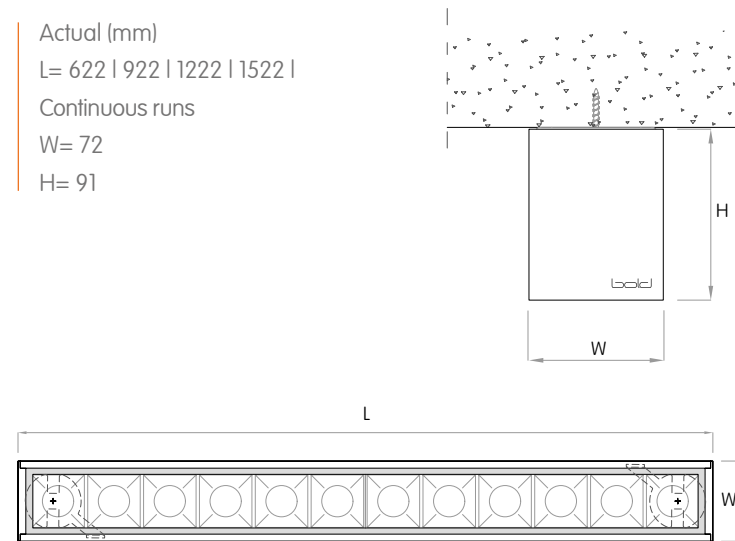
Elliptical distributions can be used anywhere focused illumination is needed. Billet's elliptical beam is ideal for applications such as grazing texture on vertical surfaces and illuminating long narrow spaces without scallops.

**MOUNTING FLEXIBILITY**  
Per Millimeter

**SURFACE MOUNTED**



Actual (mm)  
L= 622 | 922 | 1222 | 1522 |  
Continuous runs  
W= 72  
H= 91



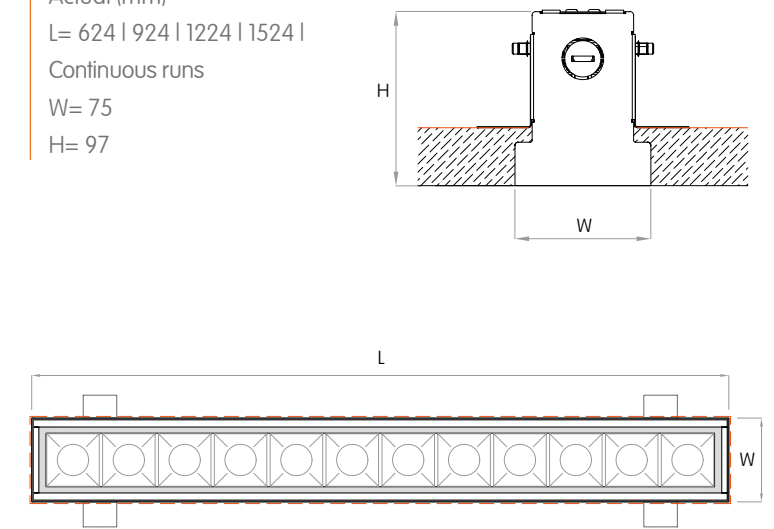
**MOUNTING FLEXIBILITY**  
Per Millimeter

**RECESSED TRIMLESS**

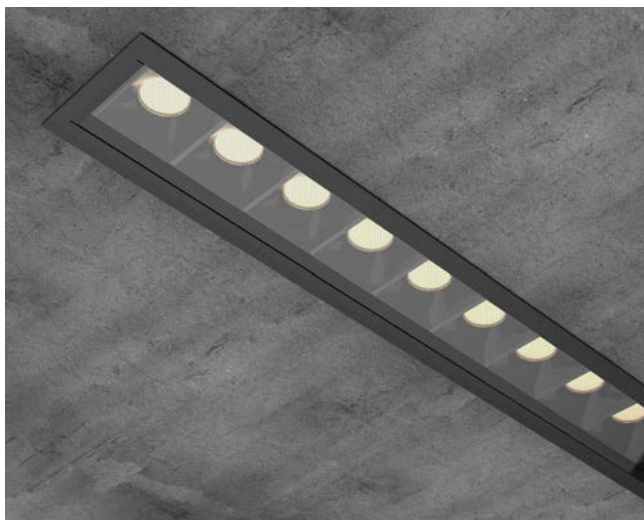


$(L+1.6 \times W+1.6)$

Actual (mm)  
L= 624 | 924 | 1224 | 1524 |  
Continuous runs  
W= 75  
H= 97

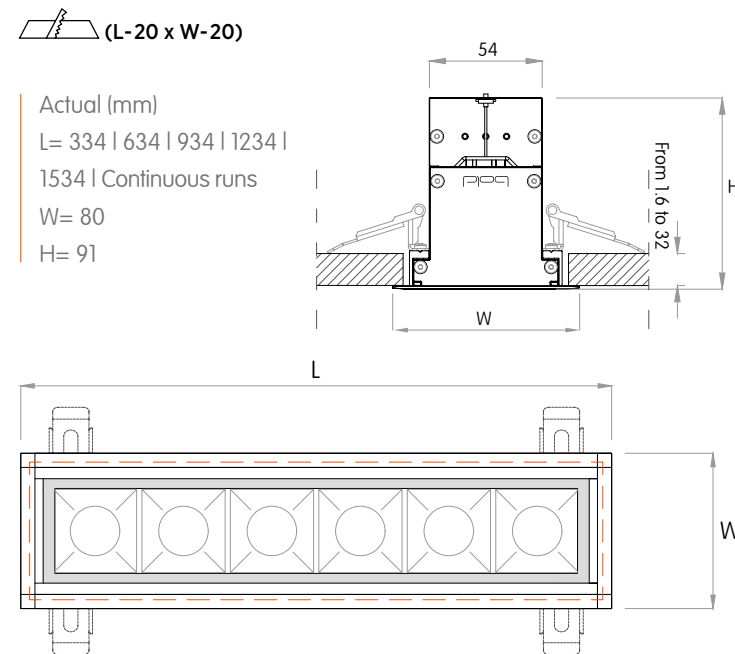


**RECESSED WITH TRIM**

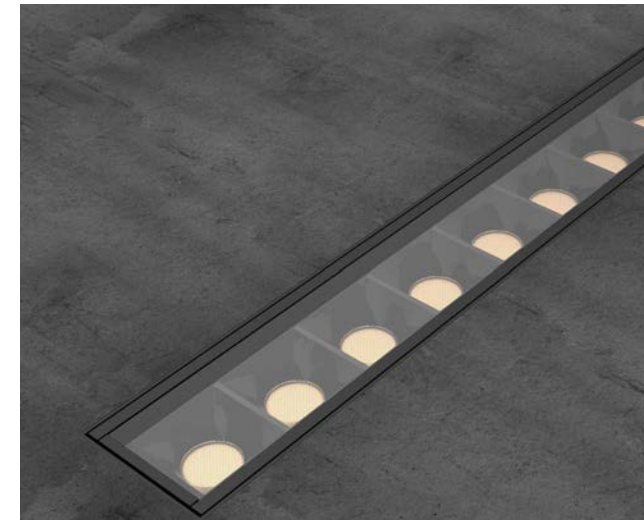


$(L-20 \times W-20)$

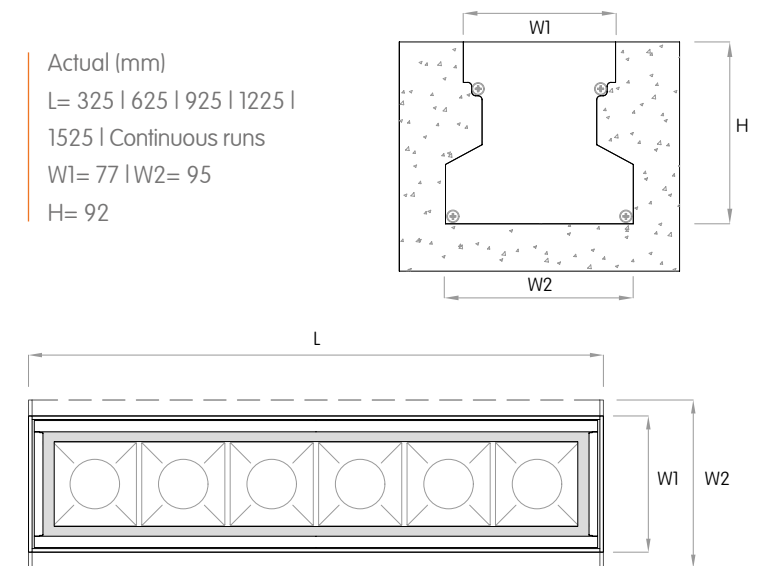
Actual (mm)  
L= 334 | 634 | 934 | 1234 |  
1534 | Continuous runs  
W= 80  
H= 91



**INGROUND**



Actual (mm)  
L= 325 | 625 | 925 | 1225 |  
1525 | Continuous runs  
W1= 77 | W2= 95  
H= 92

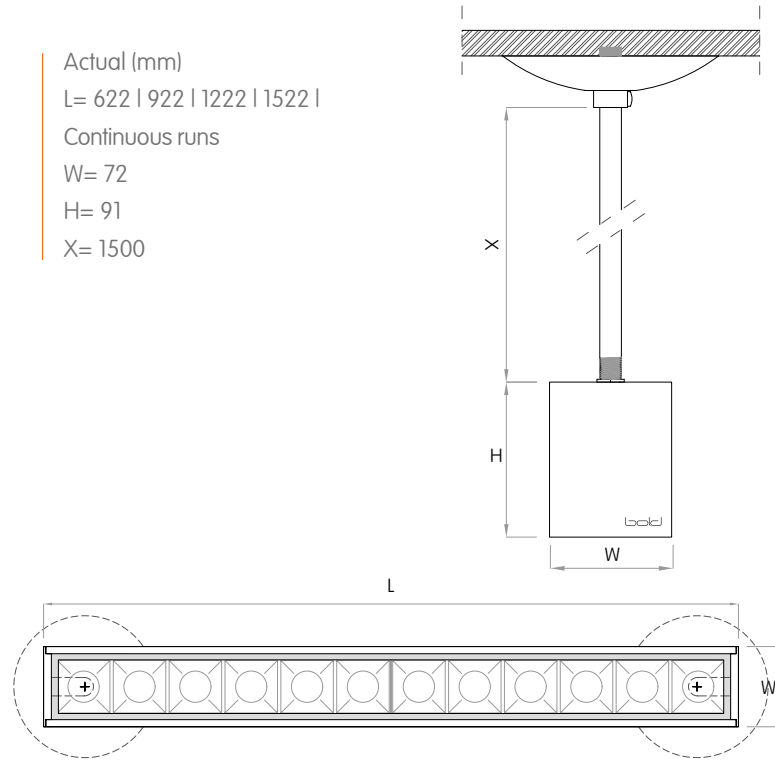


**MOUNTING FLEXIBILITY**  
Per Millimeter

**PENDANT**



Actual (mm)  
L= 622 | 922 | 1222 | 1522 |  
Continuous runs  
W= 72  
H= 91  
X= 1500



**DELIVERED LUMEN OUTPUT**  
Per Meter

Output	Watts	CRI +90				
<b>STATIC-WHITE</b>		<b>2700K</b>	<b>3000K</b>	<b>3500K</b>	<b>4000K</b>	
<b>L</b>	16W	1385 lm	1580 lm	1495 lm	1525 lm	
<b>M</b>	33W	2585 lm	2740 lm	2790 lm	2840 lm	
<b>H</b>	49W	3760 lm	3845 lm	4065 lm	4140 lm	
<b>V</b>	66W	4830 lm	4960 lm	5215 lm	5310 lm	
<b>DIM-TO-WARM 3000K-1800K</b>		<b>3000K</b>				
<b>D</b>	26W	1500 lm				
<b>W</b>	59W	4265 lm				
<b>TUNABLE WHITE 2700K-5000K</b>		<b>2700K</b>				<b>5000K</b>
<b>U</b>	33W	2325 lm				2325 lm
<b>A</b>	66W	4265 lm				4265 lm
<b>RGBW</b>		<b>R</b>	<b>G</b>	<b>B</b>	<b>W</b>	
<b>C</b>	66W	2205 lm	3585 lm	555 lm	3415 lm	

**DIMENSIONS TABLE**

	12		24		36		48		60					
	Height		Width		Actual Length									
	mm	inch	mm	inch	mm	inch	mm	inch	mm	inch	mm	inch	mm	inch
<b>Surface Mounted</b>	91	3 9/16	72	2 13/16			622	24 1/2	922	36 5/16	1222	48 1/8	1522	59 15/16
<b>Recessed with Trim</b>	91	3 9/16	88	3 7/16	335	13 3/16	634	25	934	36 13/16	1234	48 5/8	1534	60 7/16
<b>Recessed Trimless</b>	97	3 13/16	75	2 15/16			624	24 5/8	924	36 3/8	1224	48 1/4	1524	60
<b>Pendant</b>	91	3 9/16	72	2 13/16			622	24 1/2	922	36 5/16	1222	48 1/8	1522	59 15/16
<b>Inground (with housing)</b>	92	3 5/8	95	3 3/4	325	12 13/16	625	24 5/8	925	36 7/16	1225	48 1/4	1525	60



# HONEYCOMB



Architectural SSL Magazine  
**PIA'20**  
product innovation award

## CONSTRUCTION

**Product Type :** Linear  
**Body Material :** Extruded Aluminum  
**Body Finish :** Black / Grey / White  
Custom RAL  
**IP Rating :** IP67 Inground  
IP66 Ceiling Recessed  
**IK Rating :** IK10  
**Drive Over Rating :** Billet Inground is designed to bear static loads up to 2500 lbs. from vehicles with pneumatic tires. This product is not intended to be used for traffic lanes.  
**Chicago plenum rated**

## INSTALLATION

**Environment :** Wet Location  
**Mounting :** Inground  
Ceiling Recessed (Trim & Trimless)  
Wall Recessed (Trim & Trimless)  
Surface Mounted / Pendant

## OPTICS

**Optical Distribution :** 10° / 20° / 35° / 50°  
Elliptical (10°x40°) (25°x50°)  
**Glare Control :** UGR<19

## LIGHT SOURCE

**Direct Light Source :** Hi-power LEDs  
**Luminous Output :** from 1405lm/m to 4500lm/m (Delivered)  
**Light Source CCT :** 2700K / 3000K / 3500K / 4000K / Tunable White (2700K-5000K)  
**Color Rendering Index :** Ra90  
**Lifetime :** L80 B10 @ 70,000 Hrs

## ELECTRICAL

**Input Voltage :** 220-240V / UNV 120-277V - 50Hz/60Hz  
**Load :** 16W/m to 66W/m  
**Output Type :** Constant Current  
**Driver Type :** Integral  
**Dimming :** 0-10V / DALI / ELV / DMX / Lutron Hi-Lume  
**Code Compliance :** ETL / CSA / CE

Series	Mounting	Nominal Length <sup>1</sup>
<b>BHS</b>	R Recessed with Trim	12 300 mm
	T Recessed Trimless*	24 600 mm
	S Surface Mounted	36 900 mm
	P Pendant	48 1200 mm
	I Inground*	60 1500 mm
	XX Custom mm	

\* For Inground "I" and Recessed Trimless "T" mountings, the housings will show on the price quote and order as a separate item to allow us to ship them ahead of the fixtures if required by the contractor.

For custom lengths and shapes, consult factory.  
For exact lengths refer to dimensions table.

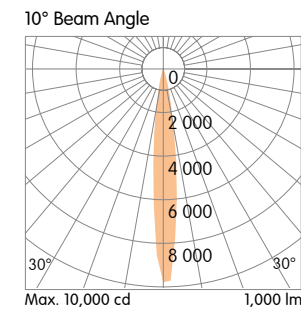
Code example: **BHS** - P12W - L2B - W - E927 - 0

Body Finish	Output	Voltage	Dimming	Baffles	Beam Angle	CRI	Color Temp	Emergency
<b>B</b> Black	<b>L<sup>2</sup></b> 1405lm/m (16W)	<b>2</b> 220-240V	<b>A</b> No Dimming	<b>W</b> Flat White	<b>S</b> 10°	<b>9</b> +90	<b>27</b> 2700K	<b>0</b> No
<b>G</b> Grey	<b>M<sup>2</sup></b> 2450lm/m (33W)	<b>U</b> Universal 120 to 277V	<b>B</b> 0-10V to 1%	<b>B</b> Flat Black	<b>N</b> 20°		<b>30</b> 3000K	
<b>W</b> White	<b>H<sup>2</sup></b> 3375lm/m (49W)		<b>D</b> DALI to 1%	<b>N</b> Black Nickel	<b>M</b> 35°		<b>35</b> 3500K	
<b>X</b> Custom RAL	<b>V<sup>2</sup></b> 4500lm/m (66W)		<b>E</b> ELV Dimming	<b>C</b> Specular Chrome	<b>W</b> 60°		<b>40</b> 4000K	
	<b>U<sup>3</sup></b> 2450lm/m (33W)		<b>F</b> DMX	<b>E</b> Diffuse Gold	<b>E</b> 10°x 40°		<b>TW</b> 2700K - 5000K	
	<b>A<sup>3</sup></b> 4500lm/m (66W)		<b>G<sup>4</sup></b> LUTRON	<b>X</b> Custom	<b>E</b> 25°x 50°			

Notes:  
<sup>1</sup> 150 mm length increments available as a modification.  
<sup>2</sup> Denotes output at 3000K, unless otherwise noted.  
<sup>3</sup> Denotes output specific to Tunable White at full on.  
<sup>4</sup> Hi-lume, Vive, and Athena compatible.  
Consult factory for lead-times.  
Consult factory for systems using multiple optics and mounting configurations.

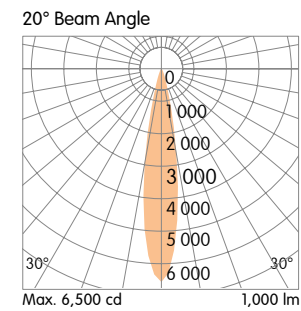
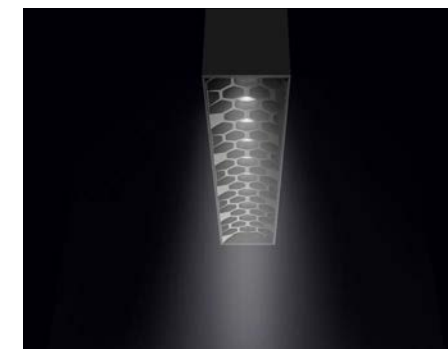
## OPTICAL FLEXIBILITY

### TIGHT DISTRIBUTION



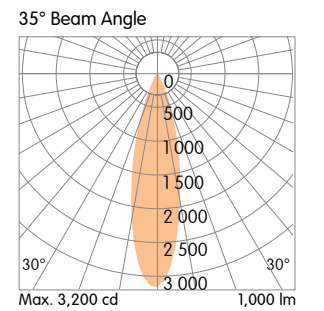
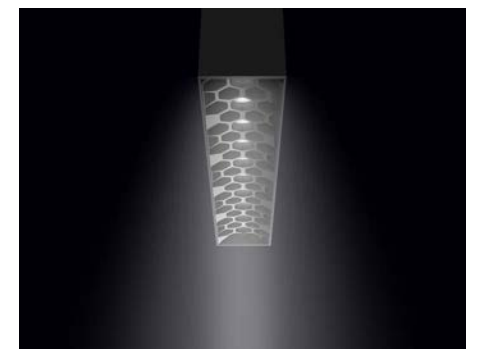
A tight 10° optic is ideal for high-ceiling applications and for emphasizing texture on vertical surfaces and architectural elements.

### NARROW DISTRIBUTION



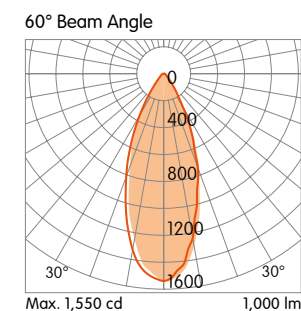
The narrow 20° beam can be used to provide a subtle graze around a perimeter or on vertical surfaces. It is also ideal for general illumination where double or triple height spaces present challenges.

### MEDIUM DISTRIBUTION



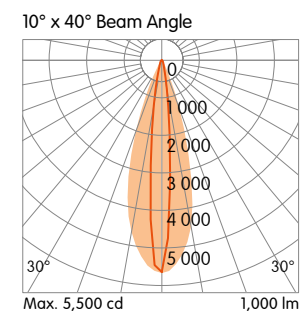
The 35° medium beam is a versatile distribution that can be used in a wide range of spaces and is a good balance between light punch and ambient uniformity.

### WIDE BEAM DISTRIBUTION

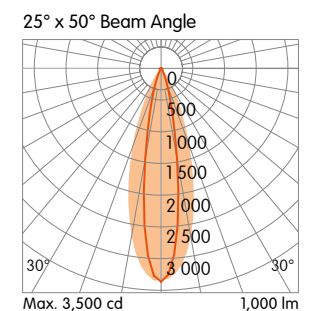


The 60° wide beam is a versatile distribution that can be used in a wide range of spaces and is a good balance between light punch and ambient uniformity.

### ELLIPTICAL BEAM DISTRIBUTION

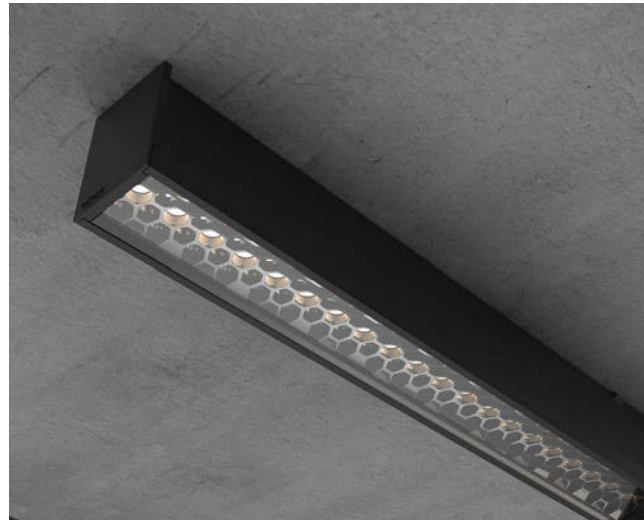


The elliptical beam is optimal for grazing applications and is an effective solution for the illumination of long narrow spaces.

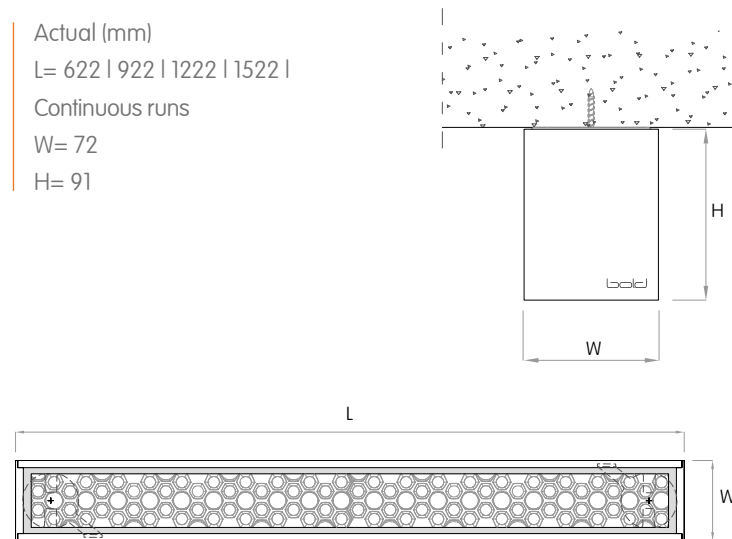


**MOUNTING FLEXIBILITY**  
Per Millimeter

**SURFACE MOUNTED**



Actual (mm)  
L= 622 | 922 | 1222 | 1522 |  
Continuous runs  
W= 72  
H= 91



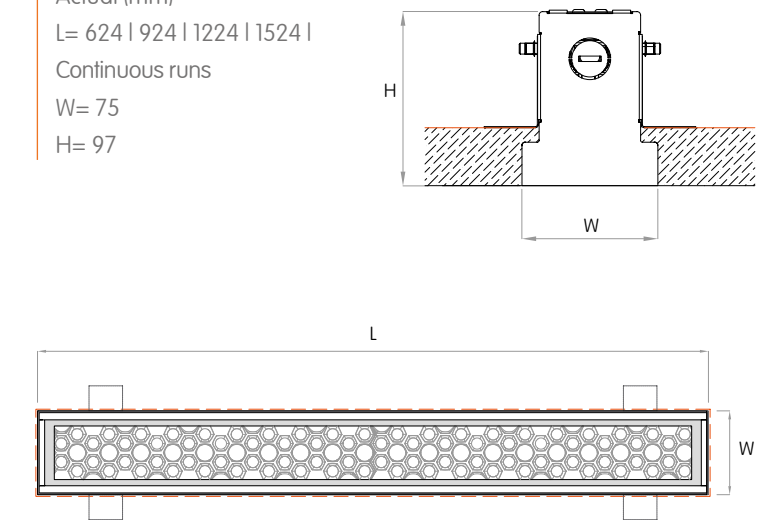
**MOUNTING FLEXIBILITY**  
Per Millimeter

**RECESSED TRIMLESS**

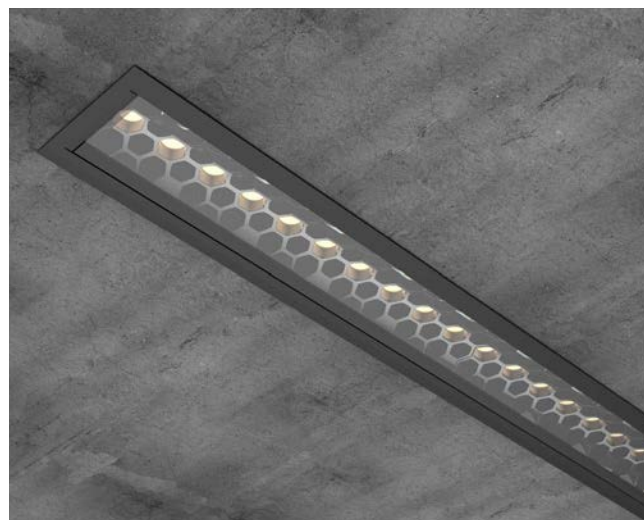


$(L+1.6 \times W+1.6)$

Actual (mm)  
L= 624 | 924 | 1224 | 1524 |  
Continuous runs  
W= 75  
H= 97

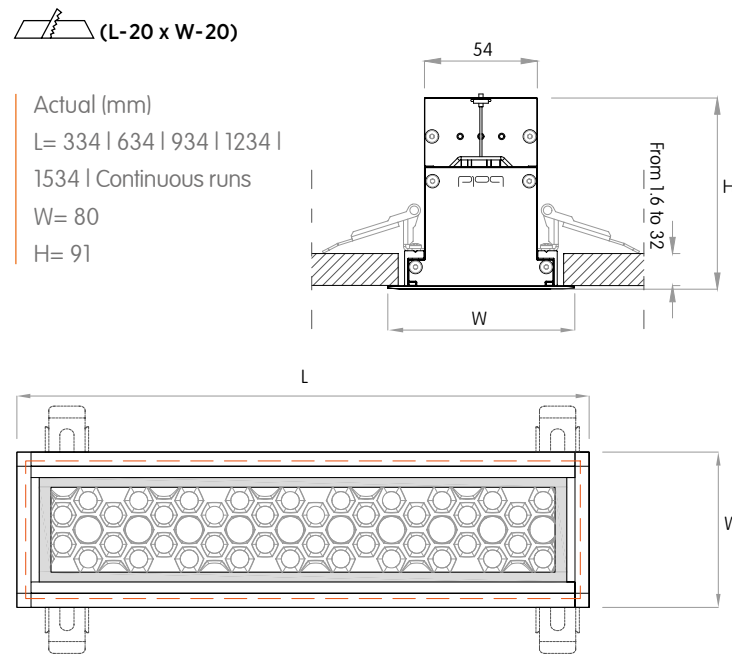


**RECESSED WITH TRIM**

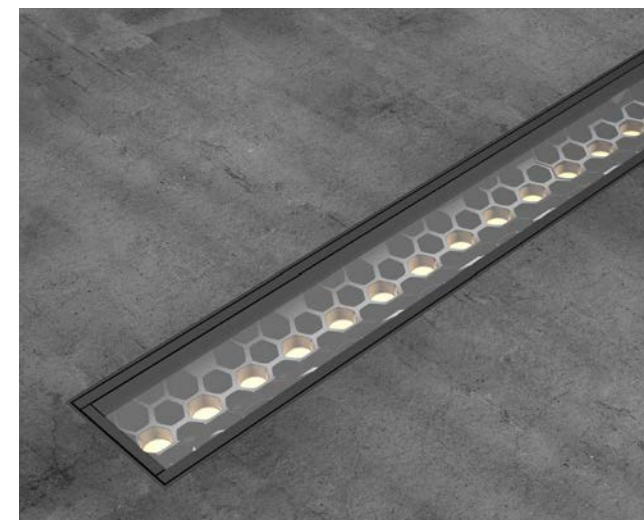


$(L-20 \times W-20)$

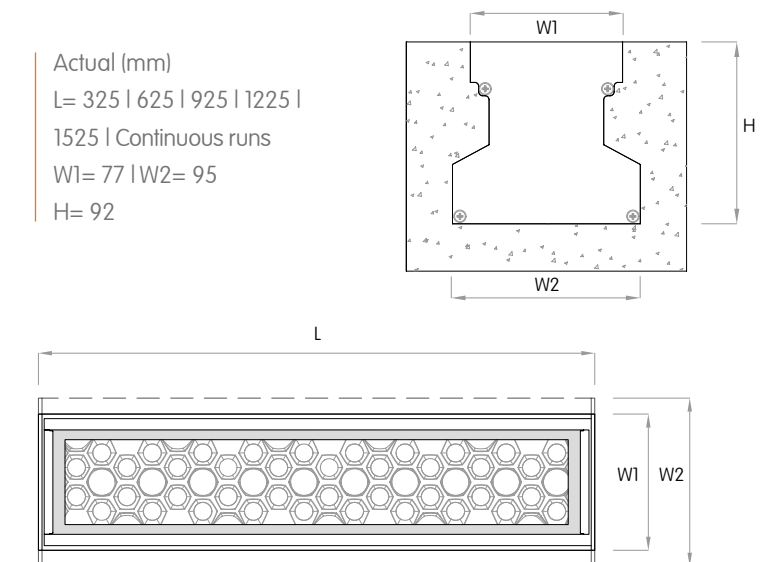
Actual (mm)  
L= 334 | 634 | 934 | 1234 |  
1534 | Continuous runs  
W= 80  
H= 91



**INGROUND**



Actual (mm)  
L= 325 | 625 | 925 | 1225 |  
1525 | Continuous runs  
W1= 77 | W2= 95  
H= 92

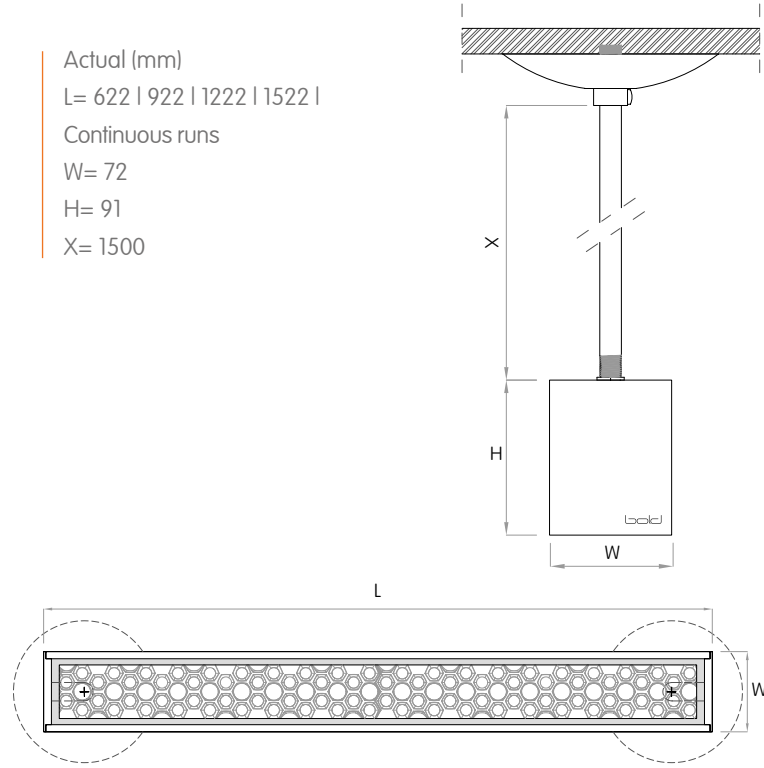


**MOUNTING FLEXIBILITY**  
Per Millimeter

**PENDANT**



Actual (mm)  
L= 622 | 922 | 1222 | 1522 |  
Continuous runs  
W= 72  
H= 91  
X= 1500



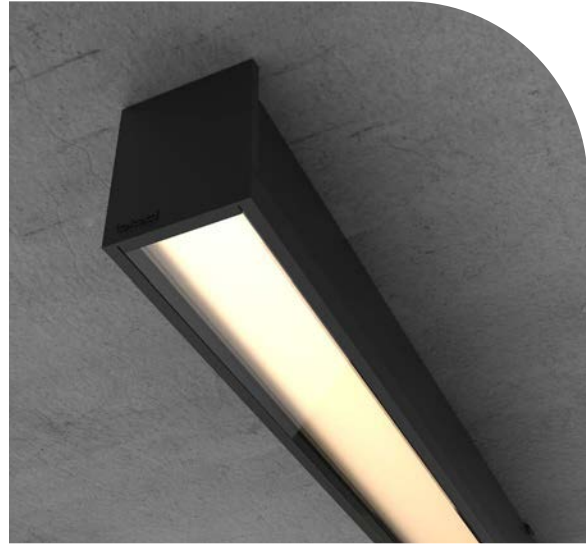
**DELIVERED LUMEN OUTPUT**  
Per Meter

Output	Watts	CRI +90			
<b>STATIC-WHITE</b>		<b>2700K</b>	<b>3000K</b>	<b>3500K</b>	<b>4000K</b>
<b>L</b>	16W	1405 lm	1405 lm	1405 lm	1405 lm
<b>M</b>	33W	2450 lm	2450 lm	2450 lm	2450 lm
<b>H</b>	49W	3375 lm	3375 lm	3375 lm	3375 lm
<b>V</b>	66W	4500 lm	4500 lm	4500 lm	4500 lm
<b>TUNABLE WHITE 2700K-5000K</b>		<b>2700K</b>		<b>5000K</b>	
<b>U</b>	33W	2450 lm		2450 lm	
<b>A</b>	66W	4500 lm		4500 lm	

**DIMENSIONS TABLE**

	12		24		36		48		60					
	Height	Width	Actual Length											
	mm	inch	mm	inch	mm	inch	mm	inch	mm	inch	mm	inch	mm	inch
<b>Surface Mounted</b>	91	3 9/16	72	2 13/16			622	24 1/2	922	36 5/16	1222	48 1/8	1522	59 15/16
<b>Recessed with Trim</b>	91	3 9/16	88	3 7/16	335	13 3/16	634	25	934	36 13/16	1234	48 5/8	1534	60 7/16
<b>Recessed Trimless</b>	97	3 13/16	75	2 15/16			624	24 5/8	924	36 3/8	1224	48 1/4	1524	60
<b>Pendant</b>	91	3 9/16	72	2 13/16			622	24 1/2	922	36 5/16	1222	48 1/8	1522	59 15/16
<b>Inground (with housing)</b>	92	3 5/8	95	3 3/4	325	12 13/16	625	24 5/8	925	36 7/16	1225	48 1/4	1525	60

# OPAL



## CONSTRUCTION

**Product Type :** Linear  
**Body Material :** Extruded Aluminum  
**Body Finish :** Black / Grey / White  
 Custom RAL  
**IP Rating :** IP67 Inground  
 IP66 Ceiling Recessed  
**IK Rating :** IK10  
**Drive Over Rating :** Billet Inground is designed to bear static loads up to 2500 lbs. from vehicles with pneumatic tires. This product is not intended to be used for traffic lanes.  
**Chicago plenum rated**

## INSTALLATION

**Environment :** Wet Location  
**Mounting :** Inground / Ceiling Recessed (Trim & Trimless) / Wall Recessed (Trim & Trimless) / Wall Mounted / Surface Mounted / Pendant

## OPTICS

**Optical Distribution :** Lambertian  
**Glare Control :** UGR<19

## LIGHT SOURCE

**Direct Light Source :** Mid-Power LEDs  
**Luminous Output :** from 975lm/m to 4185lm/m (Delivered)  
**Light Source CCT :** 2700K / 3000K / 3500K / 4000K / Tunable White (2700K-5000K)  
**Color Rendering Index :** Ra90  
**Lifetime :** L80 B10 @ 70,000 Hrs

## ELECTRICAL

**Input Voltage :** 220-240V / UNV 120-277V - 50Hz/60Hz  
**Load :** 16W/m to 66W/m  
**Output Type :** Constant Current  
**Driver Type :** Integral  
**Dimming :** 0-10V / DALI / ELV / DMX  
 Lutron Hi-Lume  
**Code Compliance :** ETL / CSA / CE

Series	Mounting	Nominal Length <sup>1</sup>
<b>BOO</b>	R Recessed with Trim	12 300 mm
	T Recessed Trimless*	24 600 mm
	S Surface Mounted	36 900 mm
	P Pendant	48 1200 mm
	I Inground*	60 1500 mm
	W Wall Mounted	XX Custom mm

\*For Inground "I" and Recessed Trimless "T" mountings, the housings will show on the price quote and order as a separate item to allow us to ship them ahead of the fixtures if required by the contractor.

For custom lengths and shapes, consult factory.  
 For exact lengths refer to dimensions table.

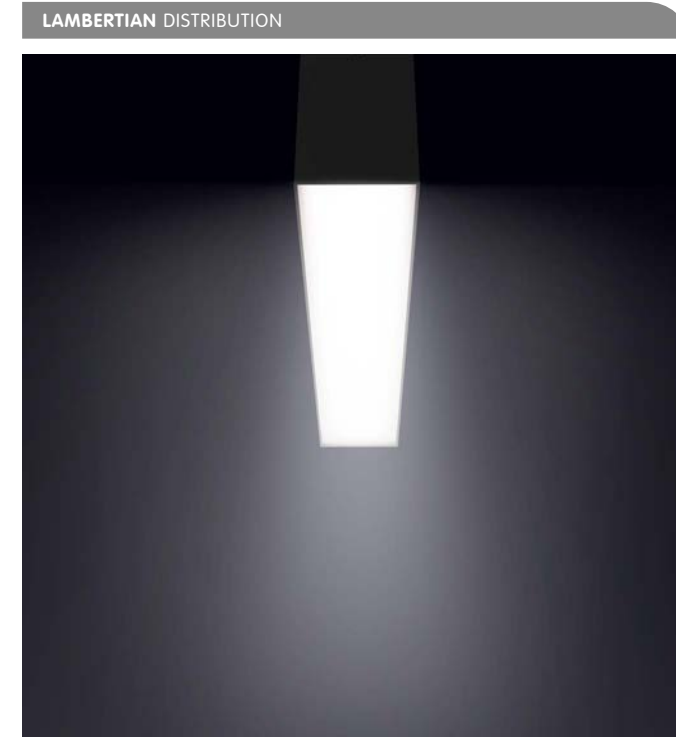
Code example: **BOO**-P12W-L2B-O-L927-0

Body Finish	Output	Voltage	Dimming	Diffuser	Beam Angle	CRI	Color Temp	Emergency
<b>B</b> Black	<b>L<sup>2</sup></b> 1030lm/m (16W)	<b>2</b> 220-240V	<b>A</b> No Dimming	<b>O</b> Opal	<b>L</b> Opal	<b>9</b> +90	<b>27</b> 2700K	<b>0</b> No
<b>G</b> Grey	<b>M<sup>2</sup></b> 2075lm/m (33W)	<b>U</b> Universal 120 to 277V	<b>B</b> 0-10V to 1%				<b>30</b> 3000K	
<b>W</b> White	<b>H<sup>2</sup></b> 3115lm/m (49W)		<b>D</b> DALI to 1%				<b>35</b> 3500K	
<b>X</b> Custom RAL	<b>V<sup>2</sup></b> 3985lm/m (66W)		<b>E</b> ELV Dimming				<b>40</b> 4000K	
	<b>U<sup>3</sup></b> 2180lm/m (33W)		<b>F</b> DMX				<b>TW</b> 2700K - 5000K	
	<b>A<sup>3</sup></b> 4185lm/m (66W)		<b>G<sup>4</sup></b> LUTRON					

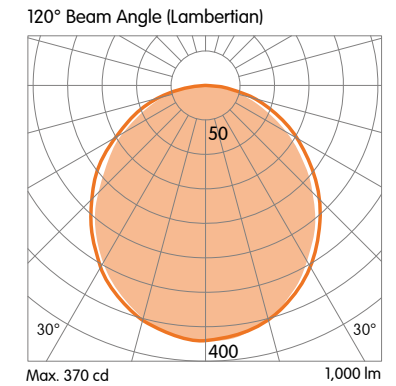
### Notes:

- <sup>1</sup> 150 mm length increments available as a modification.
  - <sup>2</sup> Denotes output at 3000K, unless otherwise noted.
  - <sup>3</sup> Denotes output specific to Tunable White at full on.
  - <sup>4</sup> Hi-Lume, Vive, and Athena compatible.
- Consult factory for lead-times.  
 Consult factory for systems using multiple optics and mounting configurations.

## OPTICAL FLEXIBILITY



Lambertian distributions are optimal for general lighting, providing a soft and uniform illumination on both horizontal and vertical surfaces. Billet's opal lens is ideal for commercial, retail, institutional, and any other environment where comfortable and even illumination is needed.

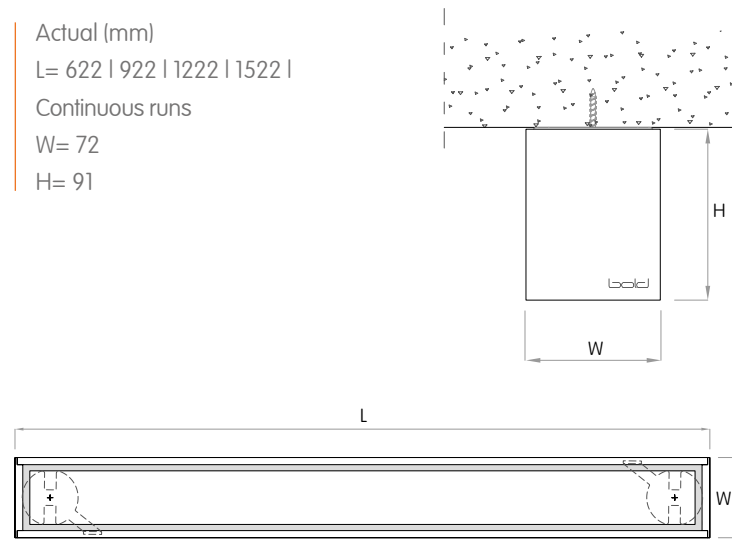


**MOUNTING FLEXIBILITY**  
Per Millimeter

**SURFACE MOUNTED**



Actual (mm)  
L= 622 | 922 | 1222 | 1522 |  
Continuous runs  
W= 72  
H= 91



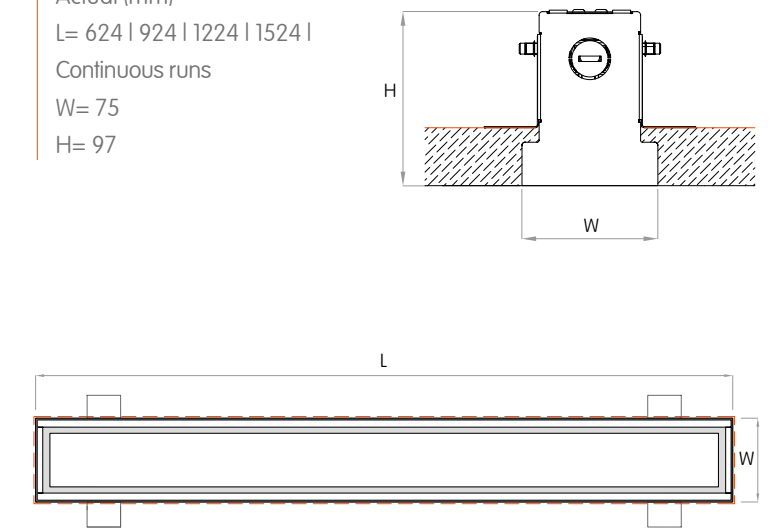
**MOUNTING FLEXIBILITY**  
Per Millimeter

**RECESSED TRIMLESS**



$(L+1.6 \times W+1.6)$

Actual (mm)  
L= 624 | 924 | 1224 | 1524 |  
Continuous runs  
W= 75  
H= 97

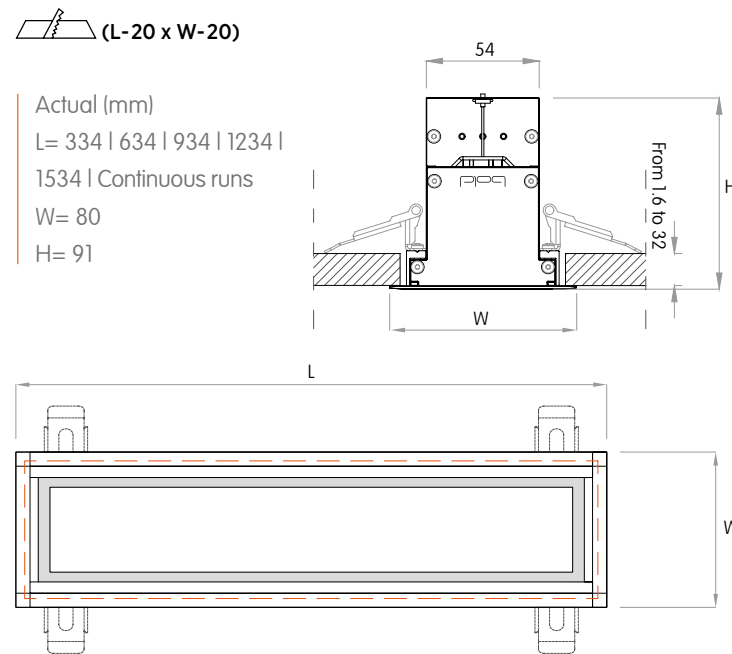


**RECESSED WITH TRIM**



$(L-20 \times W-20)$

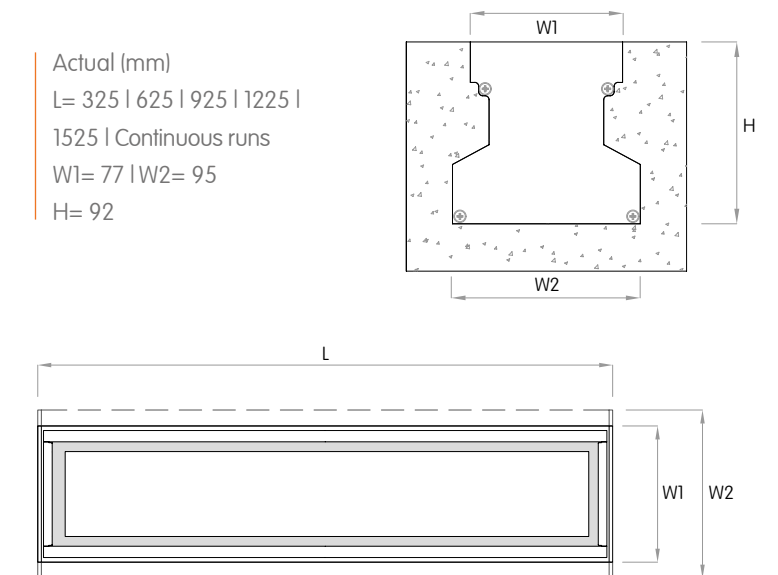
Actual (mm)  
L= 334 | 634 | 934 | 1234 |  
1534 | Continuous runs  
W= 80  
H= 91



**INGROUND**



Actual (mm)  
L= 325 | 625 | 925 | 1225 |  
1525 | Continuous runs  
W1= 77 | W2= 95  
H= 92

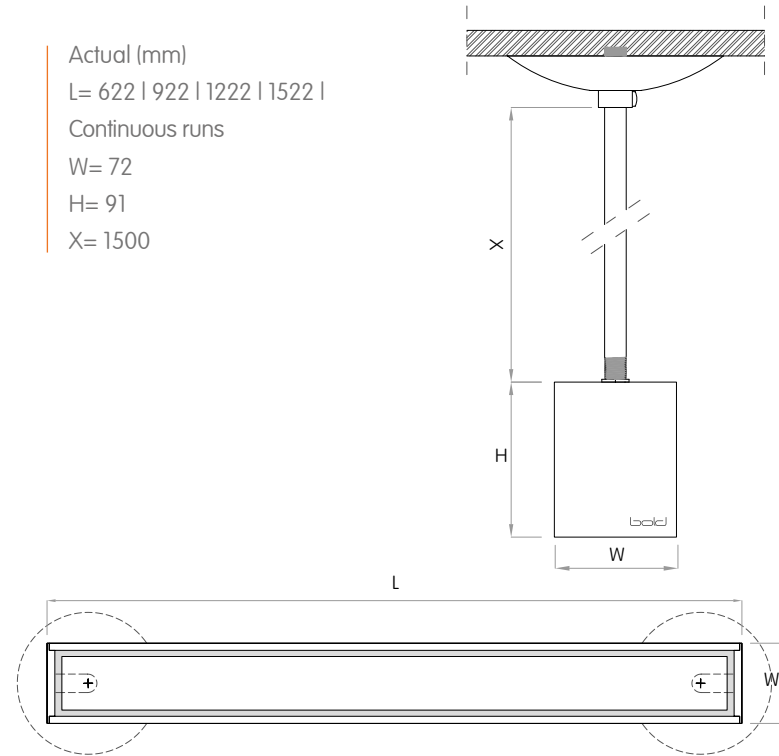


**MOUNTING FLEXIBILITY**  
Per Millimeter

**PENDANT**



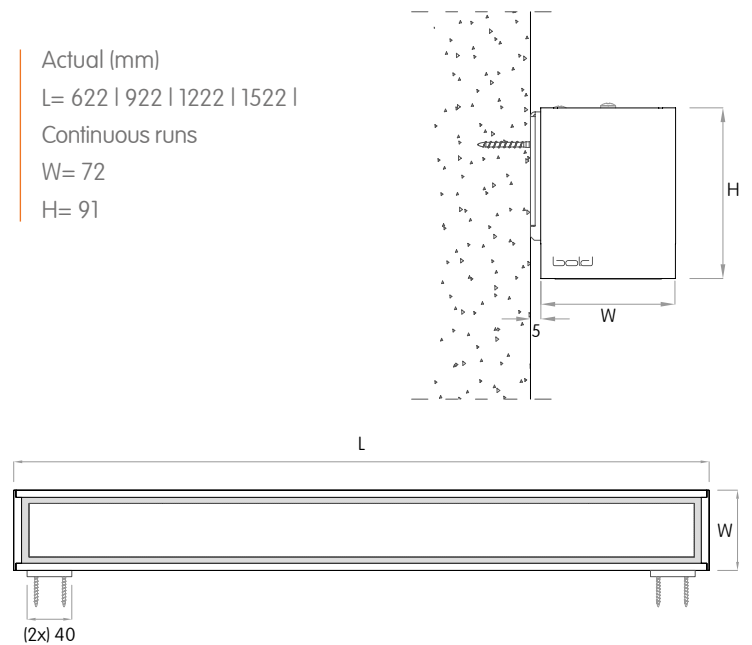
Actual (mm)  
L= 622 | 922 | 1222 | 1522 |  
Continuous runs  
W= 72  
H= 91  
X= 1500



**WALL MOUNTED**



Actual (mm)  
L= 622 | 922 | 1222 | 1522 |  
Continuous runs  
W= 72  
H= 91



**DELIVERED LUMEN OUTPUT**  
Per Meter

Output		Watts		CRI +90			
<b>STATIC-WHITE</b>				<b>2700K</b>	<b>3000K</b>	<b>3500K</b>	<b>4000K</b>
<b>L</b>	16W			975 lm	1030 lm	1065 lm	1085 lm
<b>M</b>	33W			1960 lm	2075 lm	2140 lm	2180 lm
<b>H</b>	49W			2945 lm	3115 lm	3210 lm	3270 lm
<b>V</b>	66W			3765 lm	3985 lm	4105 lm	4185 lm
<b>TUNABLE WHITE</b> 2700K-5000K				<b>2700K</b>			<b>5000K</b>
<b>U</b>	33W			1960 lm			2180 lm
<b>A</b>	66W			3765 lm			4185 lm

**DIMENSIONS TABLE**

	Height		Width		Actual Length									
	mm	inch	mm	inch	12	24	36	48	60					
<b>Surface Mounted</b>	91	3 9/16	72	2 13/16			622	24 1/2	922	36 5/16	1222	48 1/8	1522	59 15/16
<b>Recessed with Trim</b>	91	3 9/16	88	3 7/16	335	13 3/16	634	25	934	36 13/16	1234	48 5/8	1534	60 7/16
<b>Recessed Trimless</b>	97	3 13/16	75	2 15/16			624	24 5/8	924	36 3/8	1224	48 1/4	1524	60
<b>Pendant</b>	91	3 9/16	72	2 13/16			622	24 1/2	922	36 5/16	1222	48 1/8	1522	59 15/16
<b>Inground (with housing)</b>	92	3 5/8	95	3 3/4	325	12 13/16	625	24 5/8	925	36 7/16	1225	48 1/4	1525	60
<b>Wall Mounted</b>	91	3 9/16	72	2 13/16			622	24 1/2	922	36 5/16	1222	48 1/8	1522	59 15/16

**BILLET** STEPLIGHT

# BAFFLED STEPLIGHT



## CONSTRUCTION

**Product Type :** Linear  
**Body Material :** Extruded Aluminum  
**Body Finish :** Black / Grey / White / Custom RAL  
**IP Rating :** IP66  
**Chicago plenum rated**

## INSTALLATION

**Environment :** Wet Location  
**Mounting :** Wall Recessed (Trim & Trimless)

## OPTICS

**Optical Distribution :** Pathway

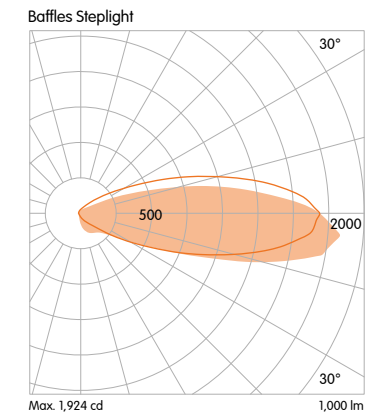
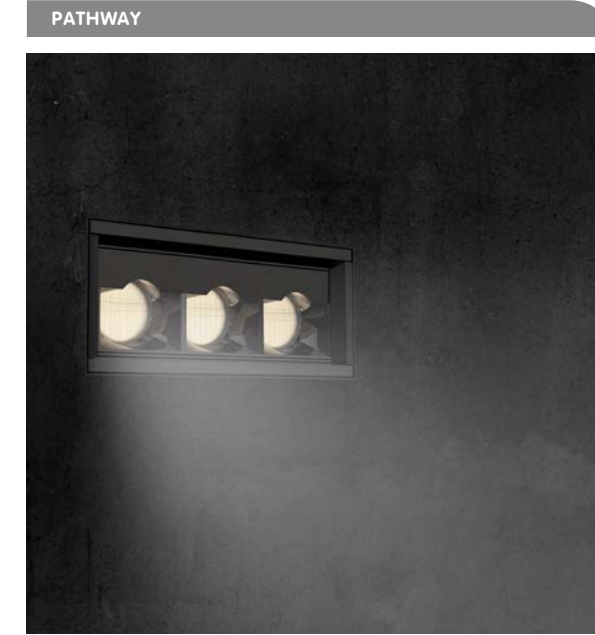
## LIGHT SOURCE

**Direct Light Source :** High-power LEDs  
**Luminous Output :** from 1082lm/m. to 4149lm/m (Delivered)  
**Light Source CCT :** 2700K / 3000K / 3500K 4000K  
**Color Rendering Index :** Ra90  
**Lifetime :** L80 B10 @ 70,000 Hrs

## ELECTRICAL

**Input Voltage :** 220-240V / UNV 120-277V - 50Hz/60Hz  
**Load :** 16W/m to 66W/m  
**Output Type :** Constant Voltage  
**Driver Type :** Remote  
**Dimming :** 0-10V / DALI / ELV / DMX / Lutron Hi-Lume  
**Code Compliance :** ETL / CSA / CE

## OPTICAL FLEXIBILITY

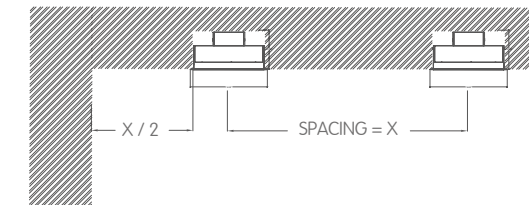


Baffle Steplight provides even illumination of pathway with a flexible setback of 1/8 to 1/6 of the pathway width. This optic is ideal of washing large areas where exceptional uniformity is required.

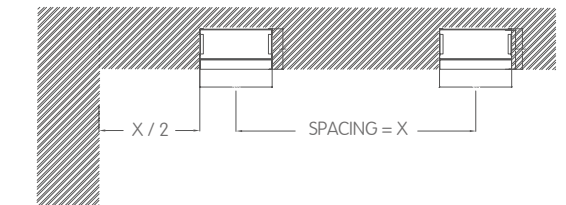
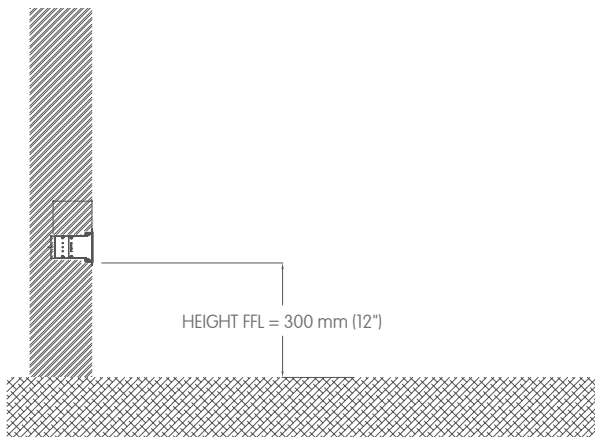
Series	Mounting	Nominal Length
<b>BOP</b>	E Wall Recessed with Trim	02 50mm - Single cell
	F Wall Recessed Trimless	06 150mm
		12 300mm
For exact lengths refer to dimensions table.		

Code example: **BOP-F06W-L1H-W-P927-0**

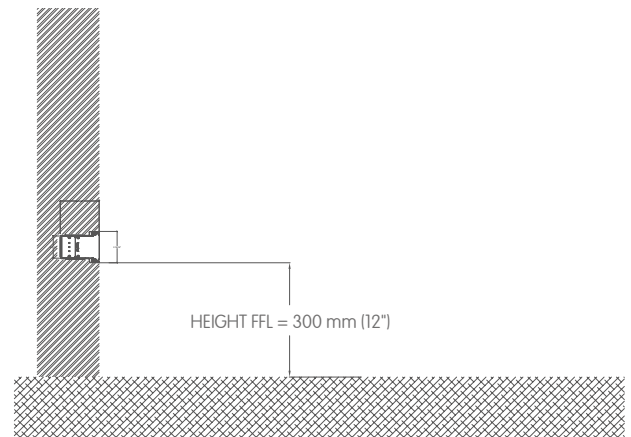
Body Finish	Output	Voltage	Dimming	Baffle	Beam Angle	CRI	Color Temp	Emergency
W White	L <sup>1</sup> 1230lm/m (16W)	1 220-240V	H No Dimming	W Flat White	P Pathway	9 +90	27 2700K	0 no
B Black	M <sup>1</sup> 2132lm/m (33W)	U <sup>2</sup> Universal 120 to 277V	I 0-10V to 1%	B Flat Black			30 3000K	9 90 mins
G Grey	H <sup>1</sup> 3001lm/m (49W)		K DALI to 1%	N Black Nickel			35 3500K	
X Custom RAL	V <sup>1</sup> 3870lm/m (66W)		L ELV Dimming	C Specular Chrome			40 4000K	
			M DMX	S Silver				
			N <sup>3</sup> LUTRON	X Custom				



RECESSED WITH TRIM



RECESSED TRIMLESS

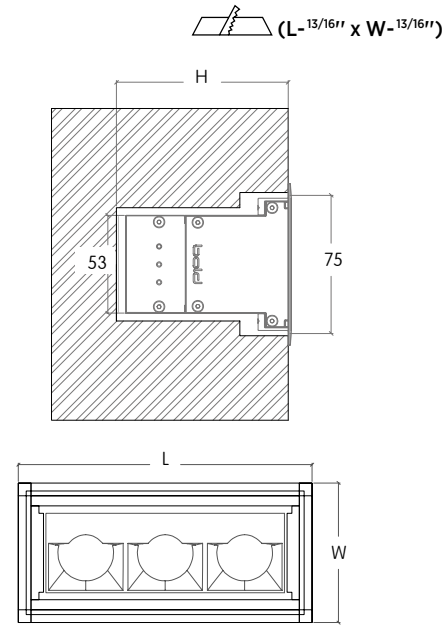
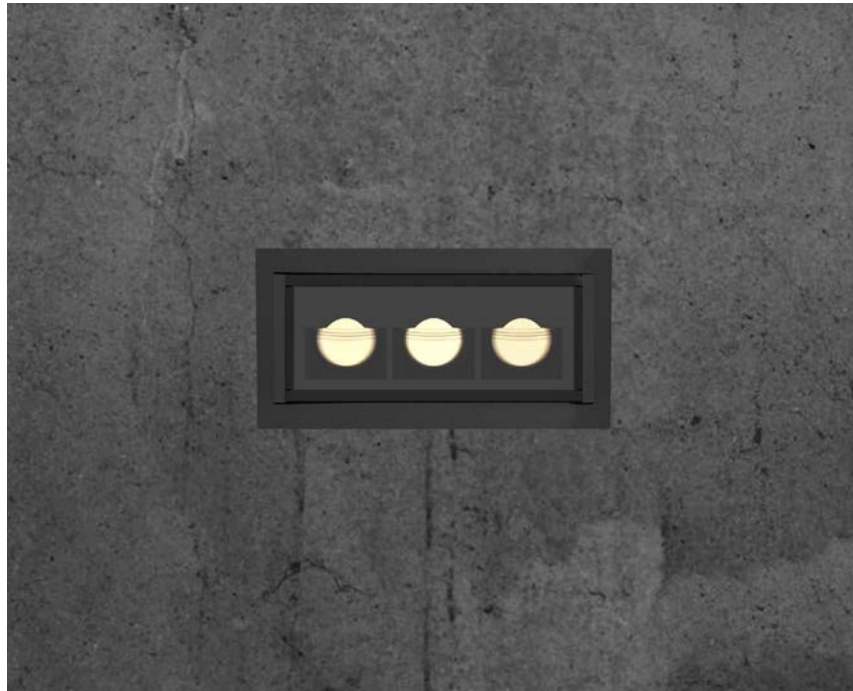


Notes:  
<sup>1</sup> Denotes output at 3000K, unless otherwise noted.  
<sup>2</sup> Not applicable for ELV dimming.  
<sup>3</sup> Hi-lume 1% EcoSystem Soft-on, Fade-to-Black dimming.

Consult factory for lead-times.  
 Consult factory for systems using multiple optics and mounting configurations.

**MOUNTING FLEXIBILITY (THREE CELLS)**  
Per Millimeter

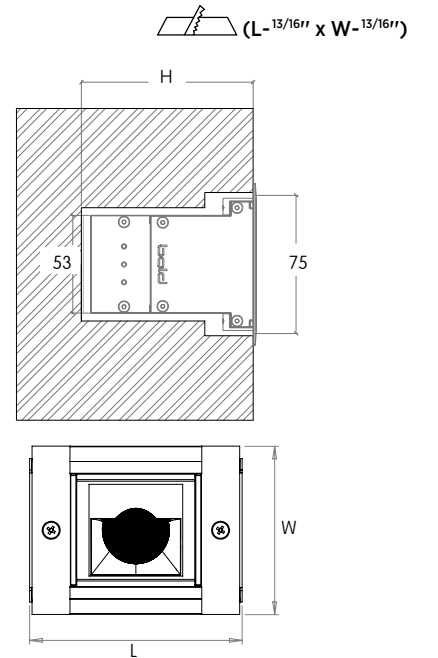
**RECESSED WITH TRIM**



Actual  
L= 185 | 336  
W= 88  
H= 91

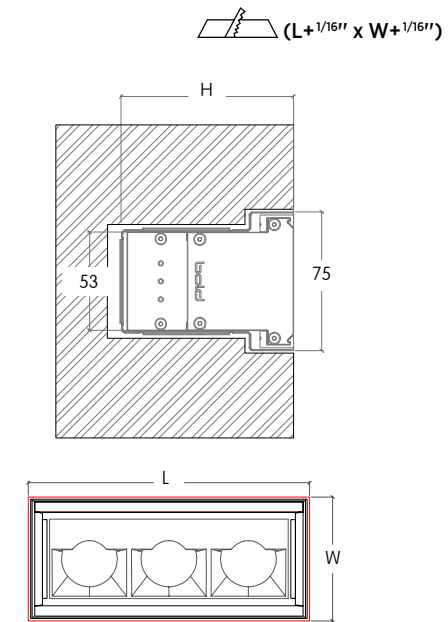
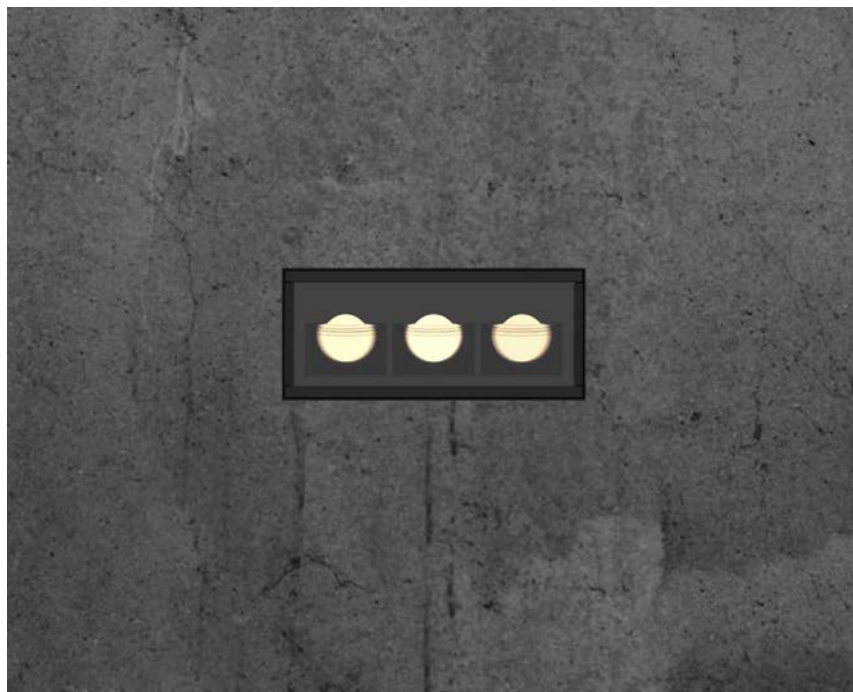
**MOUNTING FLEXIBILITY (SINGLE CELL)**  
Per Millimeter

**RECESSED WITH TRIM**



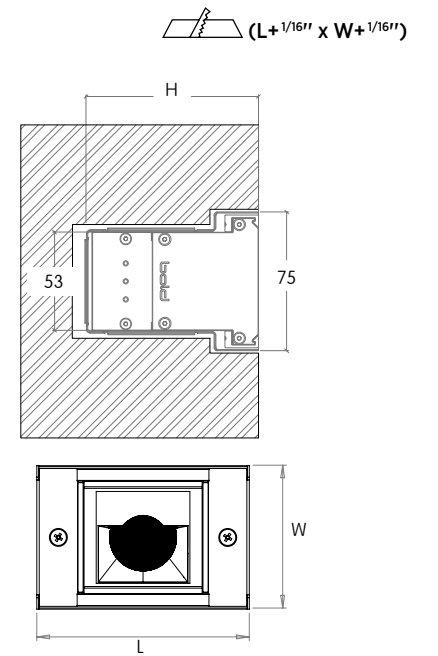
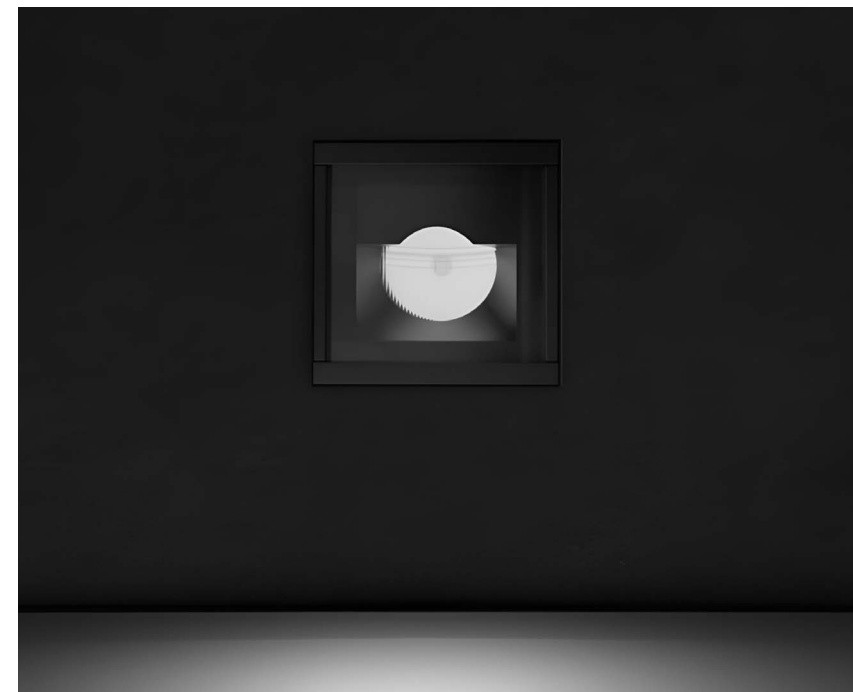
Actual  
L= 111  
W= 88  
H= 91

**RECESSED TRIMLESS**



Actual  
L= 185 | 336  
W= 75  
H= 93

**RECESSED TRIMLESS**



Actual  
L= 111  
W= 75  
H= 93

**DELIVERED LUMEN OUTPUT**  
Per Meter

Output		Watts				CRI +90			
STATIC-WHITE		2700K	3000K	3500K	3500K		4000K		
<b>L</b>	16W	1082 lm	1230 lm	1164 lm	1164 lm		1180 lm		
<b>M</b>	33W	2017 lm	2132 lm	2181 lm	2181 lm		2214 lm		
<b>H</b>	49W	2936 lm	3001 lm	3165 lm	3165 lm		3230 lm		
<b>V</b>	66W	3772 lm	3870 lm	4067 lm	4067 lm		4149 lm		

**DIMENSIONS TABLE**

	6"		12"		6"		12"	
	Height		Width		Actual Length		Actual Length	
	mm	inch	mm	inch	mm	inch	mm	inch
<b>Recessed with Trim</b>	91	3 9/16	88	3 7/16	185	7 5/16	336	13 1/4
<b>Recessed Trimless</b>	93	3 11/16	75	2 15/16	175	6 7/8	325	12 13/16



# STEALTH STEPLIGHT



## CONSTRUCTION

**Product Type :** Linear  
**Body Material :** Extruded Aluminum  
**Body Finish :** Black / Grey / White / Custom RAL  
**IP Rating :** IP66  
**Chicago plenum rated**

## INSTALLATION

**Environment :** Wet Location  
**Mounting :** Wall Recessed (Trim & Trimless)

## OPTICS

**Optical Distribution :** Pathway - Stealth

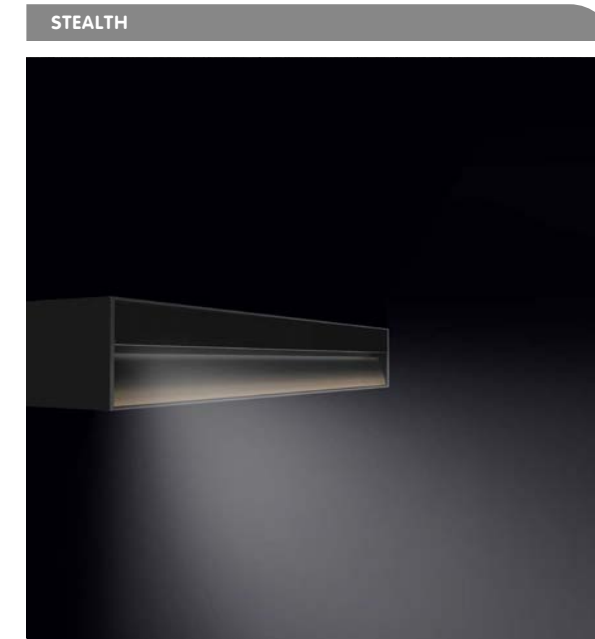
## LIGHT SOURCE

**Direct Light Source :** Mid-power LEDs  
**Luminous Output :** from 225lm/150mm to 940lm/300mm (Delivered)  
**Light Source CCT :** 2700K / 3000K / 3500K / 4000K  
**Color Rendering Index :** Ra90  
**Lifetime :** L80 B10 @ 70,000 Hrs

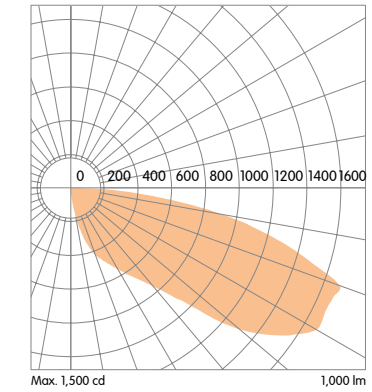
## ELECTRICAL

**Input Voltage :** 220-240V / UNV 120-277V - 50Hz/60Hz  
**Load :** 5W/150mm to 20W/300mm  
**Output Type :** Constant Voltage  
**Driver Type :** Remote  
**Dimming :** 0-10V / DALI / ELV / DMX / Lutron Hi-Lume  
**Code Compliance :** ETL / CSA / CE

## OPTICAL FLEXIBILITY



Stealth Reflector



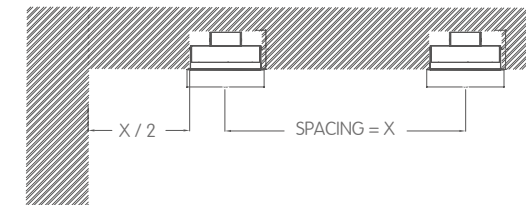
Stealth Steplight provides even illumination of pathway with a flexible setback of 1/5 of the pathway width. This optic is ideal of washing large areas where exceptional uniformity is required.

Series	Mounting	Nominal Length
<b>BOP</b>	E Wall Recessed with Trim	06 150mm
	F Wall Recessed Trimless	12 300mm

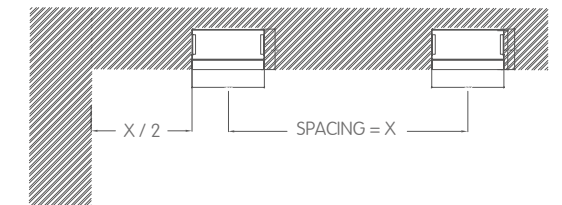
For exact lengths refer to dimensions table.

Code example: **BOP-F06W-M31H-W-S927-0**

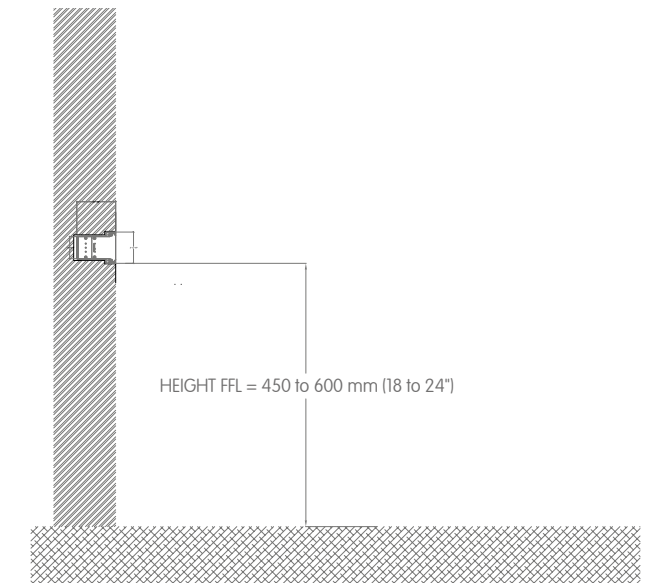
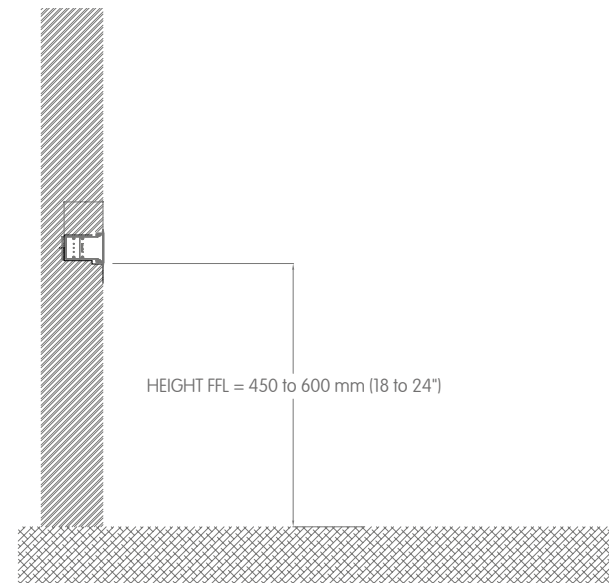
Body Finish	Output	Voltage	Dimming	Baffle	Beam Angle	CRI	Color Temp	Emergency
W White	M1 <sup>1</sup> 235lm/150mm (5W)	1 220-240V	H No Dimming	W White	S Stealth	9 +90	27 2700K	0 no
B Black	H1 <sup>1</sup> 308lm/150mm (7.5W)	U <sup>2</sup> Universal 120 to 277V	I 0-10V to 1%	B Black	L Stealth with Louvers		30 3000K	9 90 mins
G Grey	V1 <sup>1</sup> 438lm/150mm (10W)		K DALI to 1%	S Silver			35 3500K	
X Custom RAL	M3 <sup>1</sup> 470lm/300mm (10W)		L ELV Dimming	X Custom			40 4000K	
	H3 <sup>3</sup> 615lm/300mm (15W)		M DMX					
	V3 <sup>3</sup> 875lm/300mm (20W)		N <sup>3</sup> LUTRON					



RECESSED WITH TRIM



RECESSED TRIMLESS



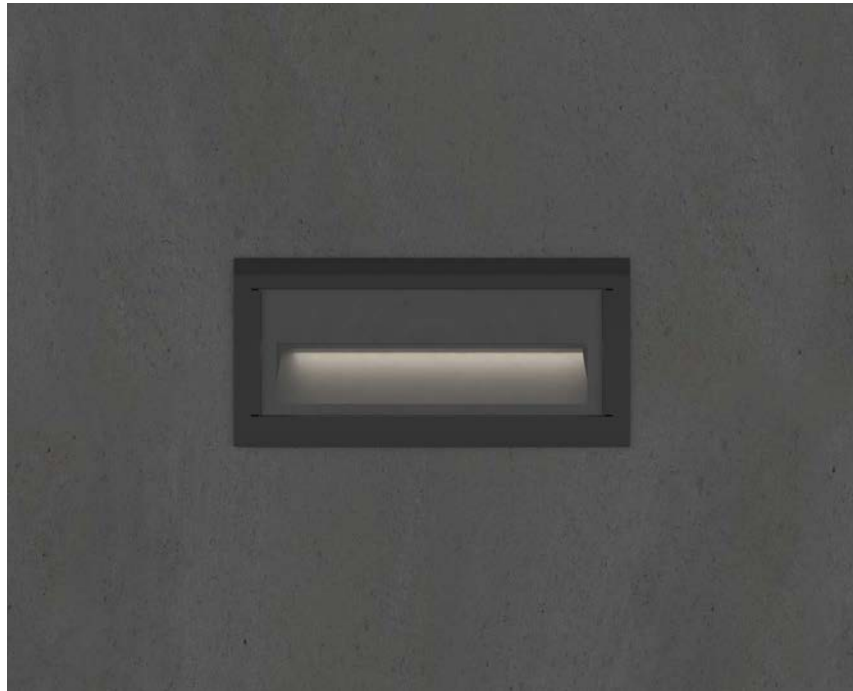
### Notes:

- <sup>1</sup> Denotes output at 3000K, unless otherwise noted.
- <sup>2</sup> Not applicable for ELV dimming.
- <sup>3</sup> Hi-lume 1% EcoSystem Soft-on, Fade-to-Black dimming.

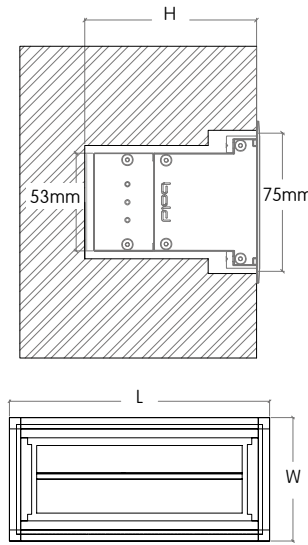
Consult factory for lead-times.  
 Consult factory for systems using multiple optics and mounting configurations.

**MOUNTING FLEXIBILITY**  
Per Millimeter

**RECESSED WITH TRIM**

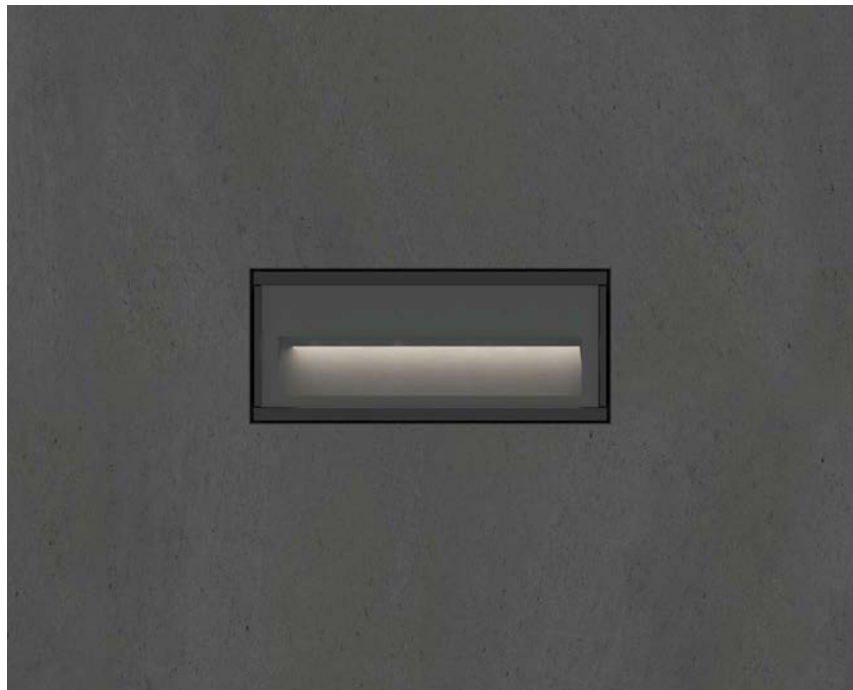


$(L-20\text{mm} \times W-20\text{mm})$

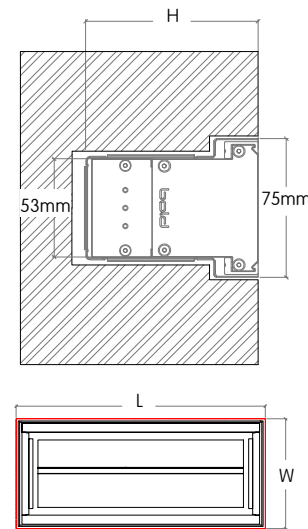


Actual  
L= 185mm | 336mm  
W= 88mm  
H= 91mm

**RECESSED TRIMLESS**



$(L+2\text{mm} \times W+2\text{mm})$



Actual  
L= 175mm | 325mm  
W= 75mm  
H= 97mm

**DELIVERED LUMEN OUTPUT**  
Per 150mm

Output Watts CRI +90

STATIC-WHITE		2700K	3000K	3500K	4000K
<b>M1</b>	5 W	225 lm	235 lm	240 lm	245 lm
<b>H1</b>	7,5 W	295 lm	308 lm	315 lm	325 lm
<b>V1</b>	10 W	420 lm	438 lm	450 lm	465 lm

Per 300mm

Output Watts CRI +90

STATIC-WHITE		2700K	3000K	3500K	4000K
<b>M3</b>	10 W	455 lm	470 lm	485 lm	500 lm
<b>H3</b>	15 W	595 lm	615 lm	635 lm	655 lm
<b>V3</b>	20 W	845 lm	875 lm	910 lm	940 lm

**DIMENSIONS TABLE**

	6"		12"		6"		12"	
	Height		Width		Actual Length			
	mm	inch	mm	inch	mm	inch	mm	inch
<b>Recessed with Trim</b>	91	3 9/16	88	3 7/16	185	7 5/16	336	13 1/4
<b>Recessed Trimless</b>	97	3 13/16	75	2 15/16	175	6 7/8	325	12 13/16

# CALIBER

SHIFTING PERSPECTIVE



Caliber is an innovative approach to linear lighting that combines a small form factor with powerful performance and flexibility in both mounting, adjustability, and light control.

The fixture can adjust up to 90° for precise aiming and can be specified with an adjustable glare-shield for added control of the output and beam spread. Caliber's flexibility makes it ideal for grazing, wallwashing, and performance indirect lighting.



# CALIBER INDOOR

## Wallgrazer / Wallwasher / Cove Lighting



### CONSTRUCTION

Product Type : Linear  
 Body Material : Extruded Aluminum  
 Body Finish : Black / Grey / White  
 Custom RAL  
 IP Rating : IP20  
 IK Rating : IK06

### INSTALLATION

Environment : Indoor  
 Mounting : Surface Mounted

### OPTICS

Optical Distribution : 8° / 15° / 34° / 60°  
 Elliptical (15°x25°) (10°x60°) (30°x60°)

\* Additional optics available upon request.

### LIGHT SOURCE

Direct Light Source : Hi-power LEDs  
 Luminous Output : from 1385lm/m to 5310lm/m (Delivered)<sup>2</sup>  
 Light Source CCT : 2700K / 3000K / 3500K / 4000K  
 Tunable White (2700K-5000K)  
 Dim-to-Warm (3000K-1800K) / RGBW  
 Color Rendering Index : Ra90  
 Lifetime : L80 B10 @ 70,000 Hrs

### ELECTRICAL

Input Voltage : 220-240V / UNV 120-277V - 50Hz/60Hz  
 Load : 16W/m to 66W/m  
 Output Type : Constant Current  
 Driver Type : Integral  
 Dimming : 0-10V / DALI / ELV / DMX  
 Non-Dim

Series	Mounting	Nominal Length	Body Finish
BCI	SM Surface Mounted	12 300 mm	W White
	C1 51 mm Cantilever	24 600 mm	B Black
	C2 150 mm Cantilever	36 900 mm	G Grey
	C3 300 mm Cantilever	48 1200 mm	X Custom RAL
	C4 450 mm Cantilever		
C5 600 mm Cantilever		For exact lengths refer to dimensions table.	

Code example: **BCI-SM12B-X-VUD-N-M927-0**

Glare Shield	Output	Voltage	Dimming	Baffles	Optics	CRI	Color Temp	Accessories
G <sup>1</sup> Glare Shield	L <sup>2</sup> 1580lm/m (16W)	2 220-240V	A No Dimming	W Flat White	S 8°	9 +90	27 2700K	0 No Accessories
X No Glare Shield	M <sup>2</sup> 2740lm/m (33W)	U Universal 120 to 277V	B 0-10V to 1%	B Flat Black	M 15°		30 3000K	
	H <sup>2</sup> 3845lm/m (49W)		D DALI to 1%	N Black Nickel	F 34°		35 3500K	
	V <sup>2</sup> 4960lm/m (66W)		E <sup>5</sup> ELV Dimming	C Specular Chrome	W 60°		40 4000K	
	D <sup>3</sup> 1500m/m (26W)		F DMX	G Bright Gold	E 10°x 28°		WD 3000K - 1800K	
	W <sup>3</sup> 4265lm/m (59W)		G 0-10V to 1% Logarithmic curve	S Diffuse Gold	K 10°x 36°		TW 2700K - 5000K	
	U <sup>4</sup> 2325lm/m (33W)		X Custom			CC <sup>7</sup> RGBW		
	A <sup>4</sup> 4265lm/m (66W)							
	C <sup>5</sup> 3585lm/m (66W)							

#### Notes:

- <sup>1</sup> The lumen values will be 50% lower in the fully shield-covered position.
- <sup>2</sup> Denotes static white (L/M/H/V) output at 3000K, without glare shield.
- <sup>3</sup> Denotes output specific to Dim-to-Warm at 3000K, without glare shield.
- <sup>4</sup> Denotes output specific to Tunable White at full on, without glare shield.
- <sup>5</sup> Denotes RGBW (C) output with all colors at full power.

- <sup>6</sup> Not available with UNV voltage.
- <sup>7</sup> Only available with DMX dimming.

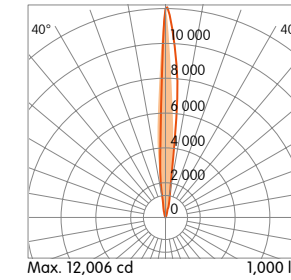
Consult factory for lead-times.  
 Consult factory for systems using multiple optics and mounting configurations.

## OPTICAL FLEXIBILITY

### TIGHT DISTRIBUTION



#### 8° Beam Angle

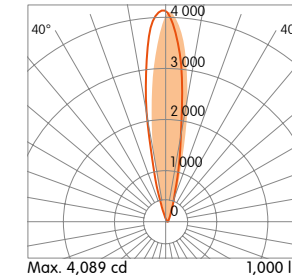


A tight 8° beam is ideal for illuminating tall vertical surfaces where an emphasis on texture and drama is desired.

### NARROW DISTRIBUTION



#### 15° Beam Angle

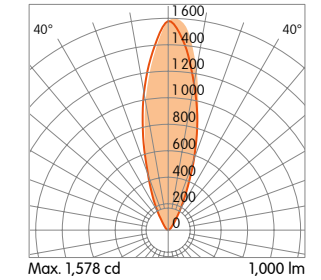


The narrow 15° beam is a versatile distribution used in a wide range of applications and is ideal for high ceilings and illuminating tall vertical surfaces.

### FLOOD DISTRIBUTION



#### 34° Beam Angle

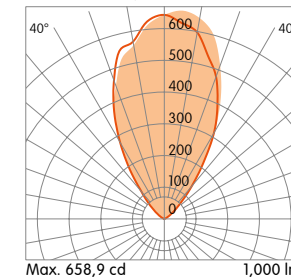


A 34° flood beam is an optimal option for achieving efficient ambient lighting and is a balance between light punch and ambient uniformity.

### WIDE BEAM DISTRIBUTION



#### 60° Beam Angle

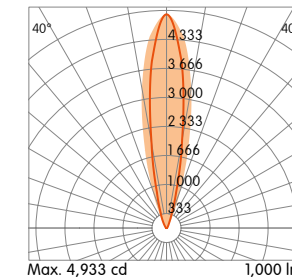


The 60° wide beam is an optimal distribution for general lighting with low glare.

### ELLIPTICAL BEAM DISTRIBUTION

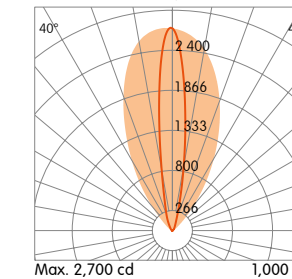


#### 15°x25° Beam Angle

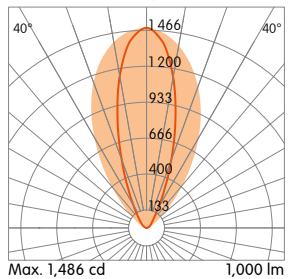


Elliptical distributions can be used anywhere focused illumination is needed and are ideal for lighting multiple textures on vertical surfaces.

#### 10°x60° Beam Angle



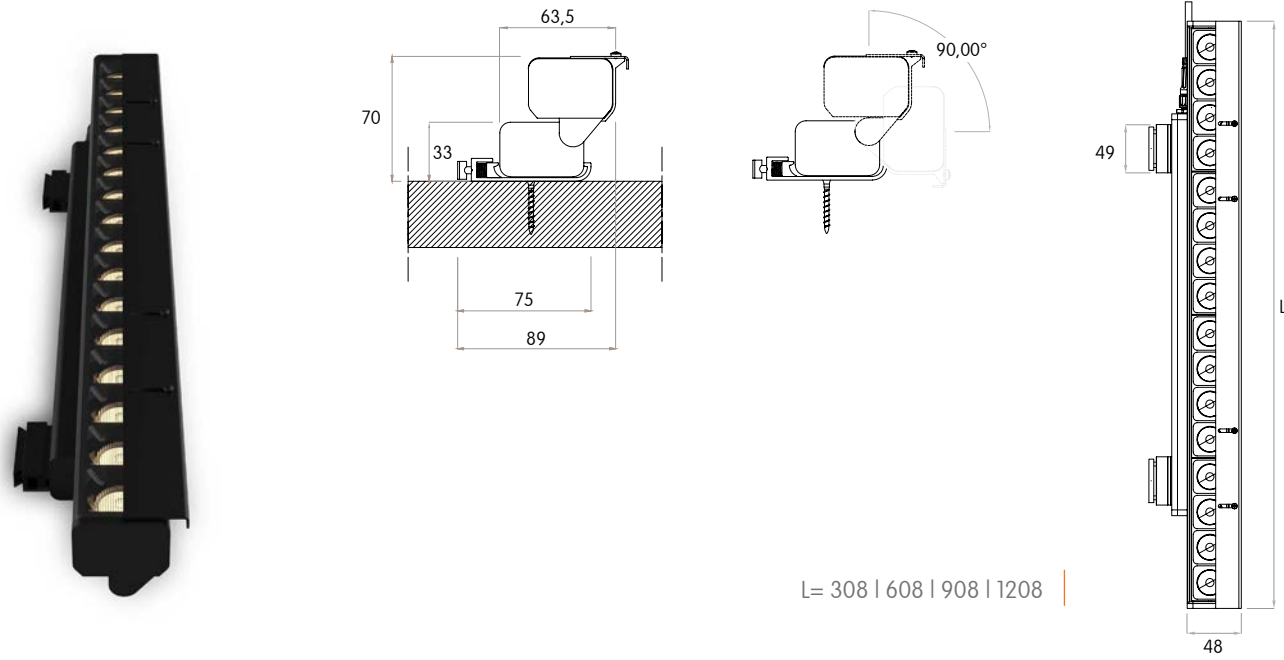
#### 30°x60° Beam Angle



\* Additional optics available upon request.

**MOUNTING FLEXIBILITY**  
Per Millimeter

CALIBER WITH SURFACE MOUNTED BRACKETS

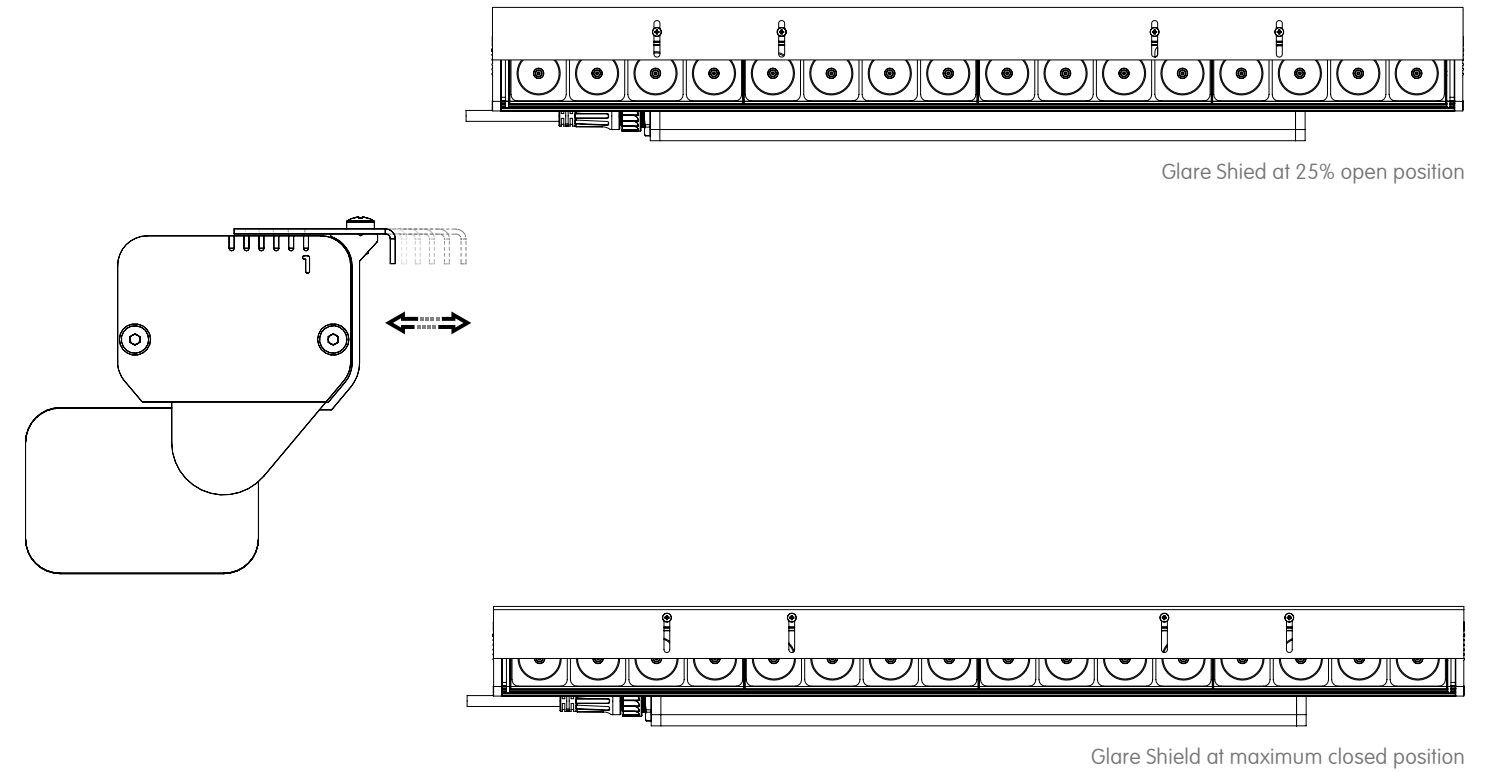


CALIBER WITH CANTILEVER

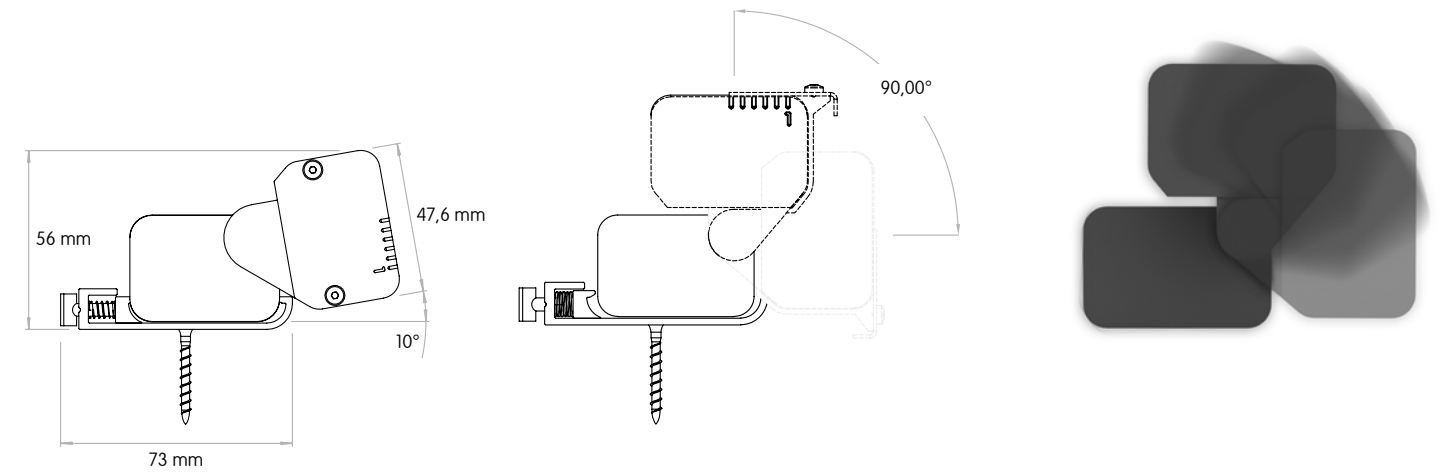


**GLARE SHIELD & TILTABILITY**

SLIDING GLARE SHIELD



TILT FROM 0 TO 90°



## DELIVERED LUMEN OUTPUT

Per Meter

Output	Watts	CRI +90			
--------	-------	---------	--	--	--

STATIC-WHITE		2700K	3000K	3500K	4000K
L	16W	1385 lm	1580 lm	1495 lm	1525 lm
M	33W	2585 lm	2740 lm	2790 lm	2840 lm
H	49W	3760 lm	3845 lm	4065 lm	4140 lm
V	66W	4830 lm	4960 lm	5215 lm	5310 lm

DIM-TO-WARM 3000K-1800K		3000K			
D	26W	1500 lm			
W	59W	4265 lm			

TUNABLE WHITE 2700K-5000K		2700K	5000K		
U	33W	2325 lm	2325 lm		
A	66W	4265 lm	4265 lm		

RGBW		R	G	B	W
C	66W	2205 lm	3585 lm	555 lm	3415 lm



## DIMENSION TABLE

		12		24		36		48					
		Height				Width				Actual Length			
Fixture dimensions	mm	inch	mm	inch	mm	inch	mm	inch	mm	inch	mm	inch	
		70	2 3/4	47	1 7/8	308	12 1/8	608	23 15/16	908	35 3/4	1208	47 9/16

# CALIBER OUTDOOR

## Wallgrazer / Wallwasher / Cove Lighting



### CONSTRUCTION

Product Type : Linear  
 Body Material : Extruded Aluminum  
 Body Finish : Black / Grey / White  
 Custom RAL  
 IP Rating : IP66  
 IK Rating : IK06

### INSTALLATION

Environment : Outdoor  
 Mounting : Surface Mounted

### OPTICS

Optical Distribution : 8° / 15° / 34° / 60°  
 Elliptical (15°x25°) (10°x60°) (30°x60°)

\* Additional optics available upon request.

### LIGHT SOURCE

Direct Light Source : Hi-power LEDs  
 Luminous Output : from 1385lm/m to 5310lm/m (Delivered)<sup>2</sup>  
 Light Source CCT : 2700K / 3000K  
 3500K / 4000K  
 Tunable White (2700K-5000K)  
 Dim-to-Warm (3000K-1800K) / RGBW  
 Color Rendering Index : Ra90  
 Lifetime : L80 B10 @ 70,000 Hrs

### ELECTRICAL

Input Voltage : 220-240V / UNV 120-277V - 50Hz/60Hz  
 Load : 16W/m to 66W/m  
 Output Type : Constant Current  
 Driver Type : Integral  
 Dimming : 0-10V / DALI / ELV / DMX  
 Non-Dim

Series	Mounting	Nominal Length	Body Finish
<b>BCW</b>	<b>SM</b> Surface Mounted	12 300 mm	<b>W</b> White
	<b>C1</b> 51 mm Cantilever	24 600 mm	<b>B</b> Black
	<b>C2</b> 150 mm Cantilever	36 900 mm	<b>G</b> Grey
	<b>C3</b> 300 mm Cantilever	48 1200 mm	<b>X</b> Custom RAL
	<b>C4</b> 450 mm Cantilever		
<b>C5</b> 600 mm Cantilever		For exact lengths refer to dimensions table.	

Code example: **BCW-SM12B-X-VUD-N-M927-0**

Glare Shield	Output	Voltage	Dimming	Baffles	Optics	CRI	Color Temp	Accessories
<b>G<sup>1</sup></b> Glare Shield	<b>L<sup>2</sup></b> 1580lm/m (16W)	<b>2</b> 220-240V	<b>A</b> No Dimming	<b>W</b> Flat White	<b>S</b> 8°	<b>9</b> +90	<b>27</b> 2700K	<b>0</b> No Accessories
<b>X</b> No Glare Shield	<b>M<sup>2</sup></b> 2740lm/m (33W)	<b>U</b> Universal 120 to 277V	<b>B</b> 0-10V to 1%	<b>B</b> Flat Black	<b>M</b> 15°		<b>30</b> 3000K	
	<b>H<sup>2</sup></b> 3845lm/m (49W)		<b>D</b> DALI to 1%	<b>N</b> Black Nickel	<b>F</b> 34°		<b>35</b> 3500K	
	<b>V<sup>2</sup></b> 4960lm/m (66W)		<b>E<sup>5</sup></b> ELV Dimming	<b>C</b> Specular Chrome	<b>W</b> 60°		<b>40</b> 4000K	
	<b>D<sup>3</sup></b> 1500m/m (26W)		<b>F</b> DMX	<b>G</b> Bright Gold	<b>E</b> 10°x 28°		<b>WD</b> 3000K - 1800K	
	<b>W<sup>3</sup></b> 4265lm/m (59W)		<b>G</b> 0-10V to 1% Logarithmic curve	<b>S</b> Diffuse Gold	<b>K</b> 10°x 36°		<b>TW</b> 2700K - 5000K	
	<b>U<sup>4</sup></b> 2325lm/m (33W)			<b>X</b> Custom				<b>CC<sup>7</sup></b> RGBW
	<b>A<sup>4</sup></b> 4265lm/m (66W)							
	<b>C<sup>5</sup></b> 3585lm/m (66W)							

### Notes:

- <sup>1</sup> The lumen values will be 50% lower in the fully shield-covered position.
- <sup>2</sup> Denotes static white (L/M/H/V) output at 3000K, without glare shield.
- <sup>3</sup> Denotes output specific to Dim-to-Warm at 3000K, without glare shield.
- <sup>4</sup> Denotes output specific to Tunable White at full on, without glare shield.
- <sup>5</sup> Denotes RGBW (C) output with all colors at full power.

- <sup>6</sup> Not available with UNV voltage.
- <sup>7</sup> Only available with DMX dimming.

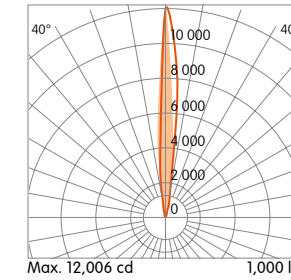
Consult factory for lead-times.  
 Consult factory for systems using multiple optics and mounting configurations.

## OPTICAL FLEXIBILITY

### TIGHT DISTRIBUTION



#### 8° Beam Angle

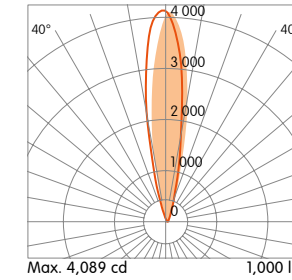


A tight 8° beam is ideal for illuminating tall vertical surfaces where an emphasis on texture and drama is desired.

### NARROW DISTRIBUTION



#### 15° Beam Angle

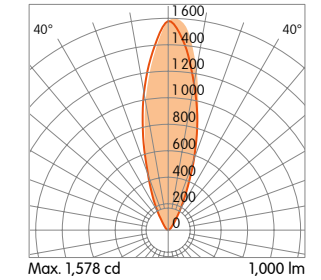


The narrow 15° beam is a versatile distribution used in a wide range of applications and is ideal for high ceilings and illuminating tall vertical surfaces.

### FLOOD DISTRIBUTION



#### 34° Beam Angle

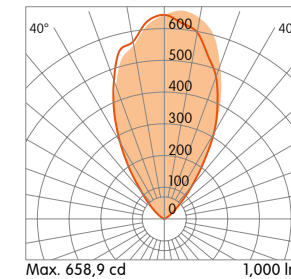


A 34° flood beam is an optimal option for achieving efficient ambient lighting and is a balance between light punch and ambient uniformity.

### WIDE BEAM DISTRIBUTION



#### 60° Beam Angle

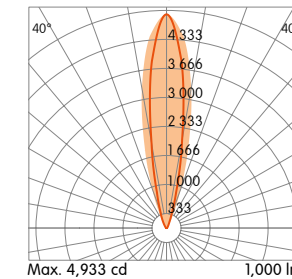


The 60° wide beam is an optimal distribution for general lighting with low glare.

### ELLIPTICAL BEAM DISTRIBUTION

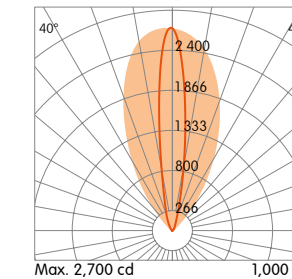


#### 15°x25° Beam Angle

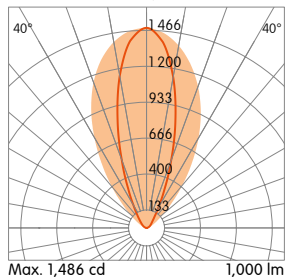


Elliptical distributions can be used anywhere focused illumination is needed and are ideal for lighting multiple textures on vertical surfaces.

#### 10°x60° Beam Angle



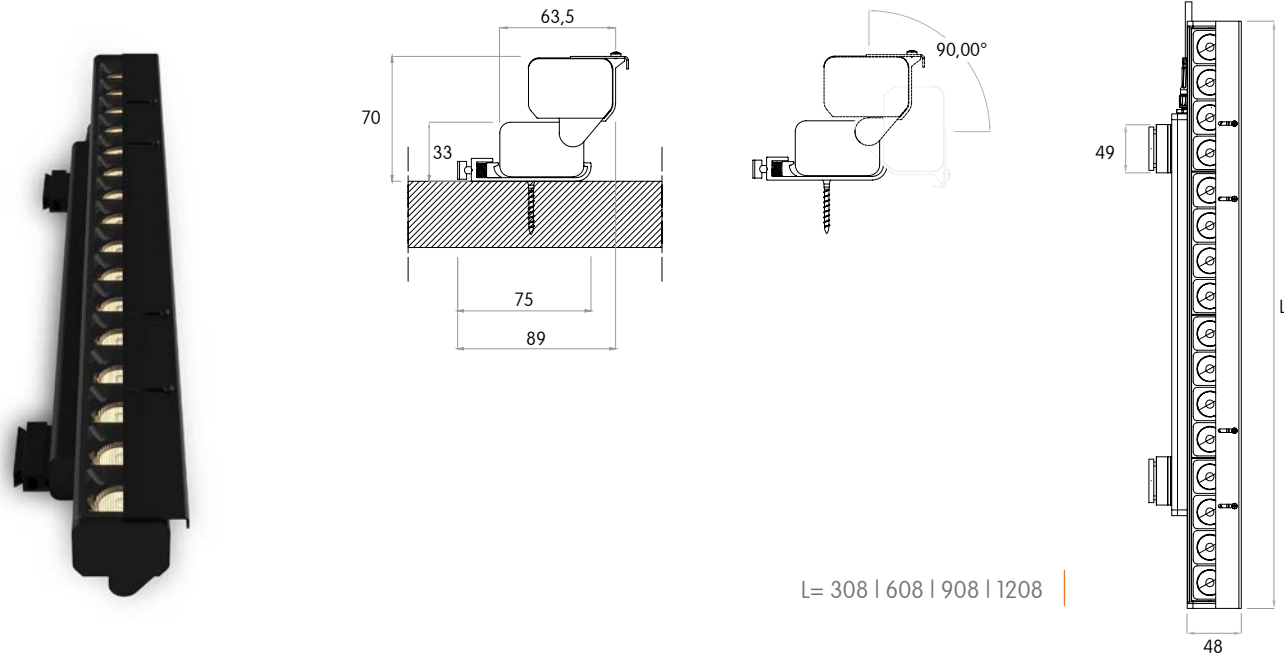
#### 30°x60° Beam Angle



\* Additional optics available upon request.

**MOUNTING FLEXIBILITY**  
Per Millimeter

CALIBER WITH SURFACE MOUNTED BRACKETS



L= 308 | 608 | 908 | 1208

CALIBER WITH CANTILEVER



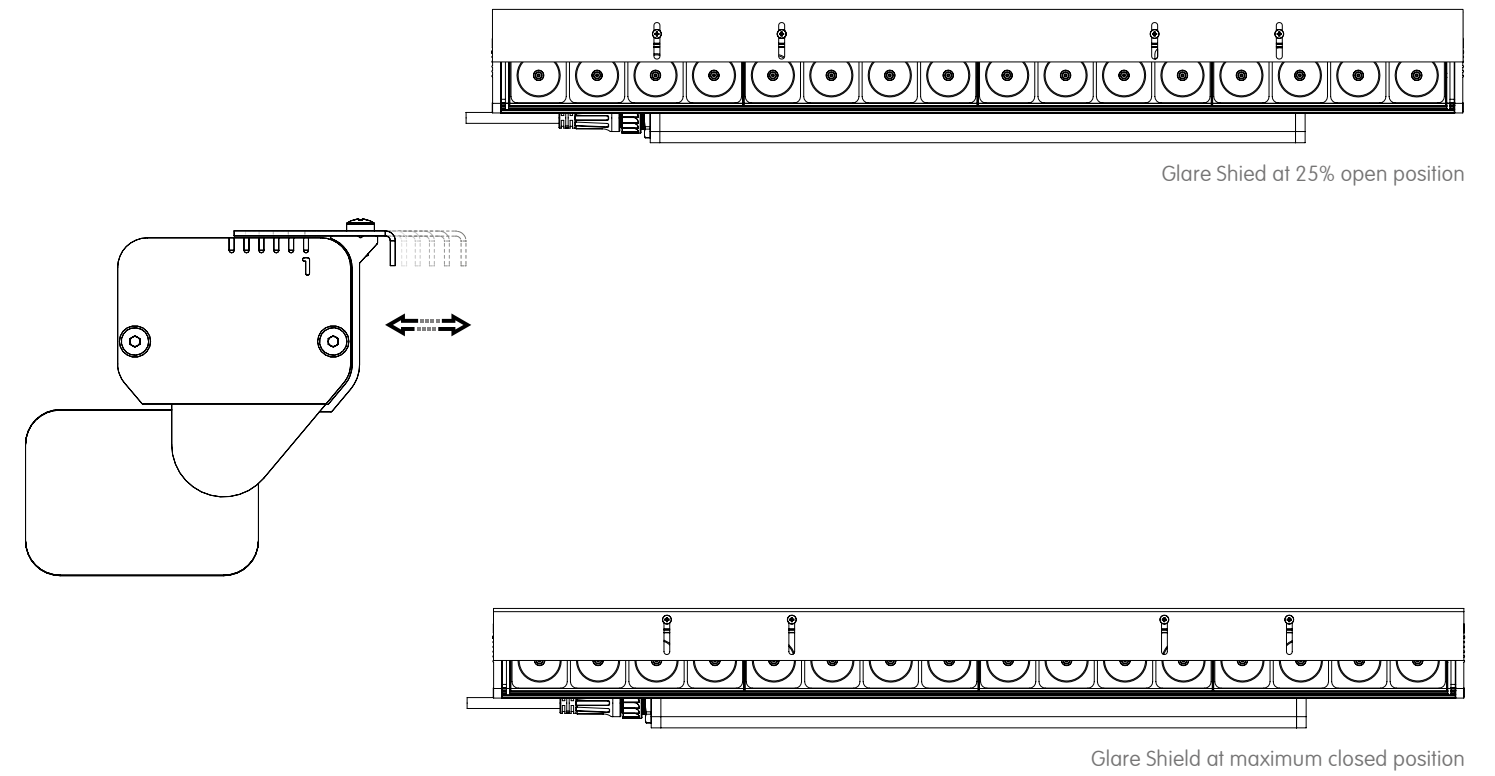
Cantilever Arms

50 | 150 | 300 | 450 | 600

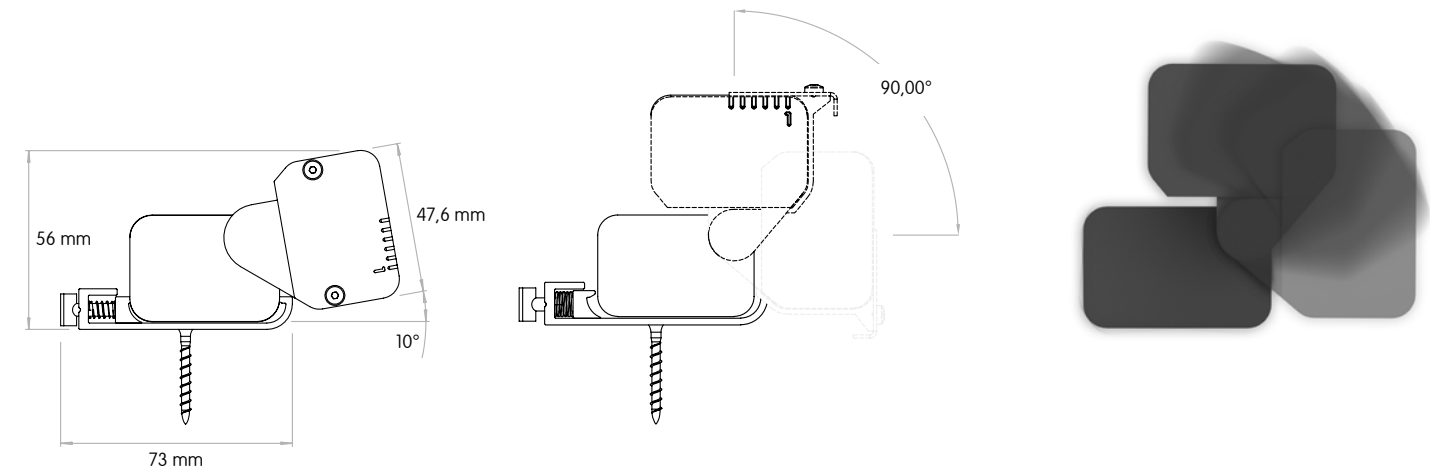
L= 308 | 608 | 908 | 1208

**GLARE SHIELD & TILTABILITY**

SLIDING GLARE SHIELD



TILT FROM 0 TO 90°



## DELIVERED LUMEN OUTPUT

Per Meter

Output Watts CRI +90

STATIC-WHITE		2700K	3000K	3500K	4000K
L	16W	1385 lm	1580 lm	1495 lm	1525 lm
M	33W	2585 lm	2740 lm	2790 lm	2840 lm
H	49W	3760 lm	3845 lm	4065 lm	4140 lm
V	66W	4830 lm	4960 lm	5215 lm	5310 lm

DIM-TO-WARM 3000K-1800K		3000K			
D	26W	1500 lm			
W	59W	4265 lm			

TUNABLE WHITE 2700K-5000K		2700K	5000K		
U	33W	2325 lm	2325 lm		
A	66W	4265 lm	4265 lm		

RGBW		R	G	B	W
C	66W	2205 lm	3585 lm	555 lm	3415 lm



## DIMENSION TABLE

		12		24		36		48					
		Height				Width				Actual Length			
Fixture dimensions	mm	inch	mm	inch	mm	inch	mm	inch	mm	inch	mm	inch	
		70	2 <sup>3/4</sup>	47	1 <sup>7/8</sup>	308	12 <sup>1/8</sup>	608	23 <sup>15/16</sup>	908	35 <sup>3/4</sup>	1208	47 <sup>9/16</sup>



# LANCE

DYNAMIC TRACE



Lance is an innovative approach to linear lighting that combines a small form factor with powerful performance and flexibility in both mounting, adjustability, and light control.

The fixture can adjust up to 90° for precise aiming and can be specified with an adjustable glare-shield for added control of the output and beam spread. Lance's flexibility makes it ideal for grazing, wallwashing, and performance indirect lighting.



# LANCE

## Integral Baffled



### CONSTRUCTION

**Product Type :** Linear  
**Body Material :** Extruded Aluminum  
**Body Finish :** Black / Grey / White  
 Custom RAL  
**IP Rating :** IP66

### INSTALLATION

**Environment :** Indoor/Outdoor  
**Mounting :** Surface Mounted

### OPTICS

**Optical Distribution :** 10° / 20° / 28° / 50°  
 Elliptical (10°x28°) / (10°x36°) / Asymmetric  
**Integral Anti glare baffles**

### LIGHT SOURCE

**Direct Light Source :** High power LEDs  
**Luminous Output :** from 1385lm/m to 5310lm/m (Delivered)  
**Light Source CCT :** 2700K / 3000K / 3500K  
 4000K / Tunable White (2700K-5000K)  
 Dim-to-Warm (3000K-1800K) / RGBW  
**Color Rendering Index :** Ra90

### ELECTRICAL

**Input Voltage :** 220-240V / UNV 120-277V - 50Hz/60Hz  
**Load :** 16W/m to 66W/m  
**Output Type :** Constant Current  
**Driver Type :** Integral  
**Dimming :** 0-10V / DALI / ELV / DMX  
**Code Compliance :** ETL / CSA / CE

Series	Mounting	Nominal Length	Body Finish
LBW	S Surface Mounted	12 300 mm	W White
		24 600 mm	B Black
		36 900 mm	G Grey
		48 1200 mm	X Custom RAL
		60 1500 mm	
		XX Custom mm	
		For custom lengths and shapes, consult factory. For exact lengths refer to dimensions table.	

Code example: **LBW-S12B-X-VUD-N-M927**

Glare Shield	Output	Voltage	Dimming	Baffles	Optics	CRI	Color Temp
G <sup>1</sup> Glare Shield	L <sup>2</sup> 1580lm/m (16W)	2 220V	A No Dimming	W Flat White	S 10°	9 +90	27 2700K
X No Glare Shield	M <sup>2</sup> 2740lm/m (33W)	U Universal 120 to 277V	B 0-10V to 1%	B Flat Black	N 20°		30 3000K
	H <sup>2</sup> 3845lm/m (49W)		C 0-10V to Fade-off	N Black Nickel	M 28°		35 3500K
	V <sup>2</sup> 4960lm/m (66W)		D DALI to 1%	C Specular Chrome	F 50°		40 4000K
	D <sup>3</sup> 1500lm/m (26W)		E <sup>6</sup> ELV Dimming	G Bright Gold	E 10°x 28°		WD 3000K - 1800K
	W <sup>3</sup> 4265lm/m (59W)		F DMX	S Diffuse Gold	G 10°x 36°		TW 2700K - 5000K
	U <sup>4</sup> 2325lm/m (33W)			X Custom	X Custom		CC <sup>7</sup> RGBW
	A <sup>4</sup> 4265lm/m (66W)			O No Baffles	A Asymmetric		
	C <sup>5</sup> 3585lm/m (66W)						

#### Notes:

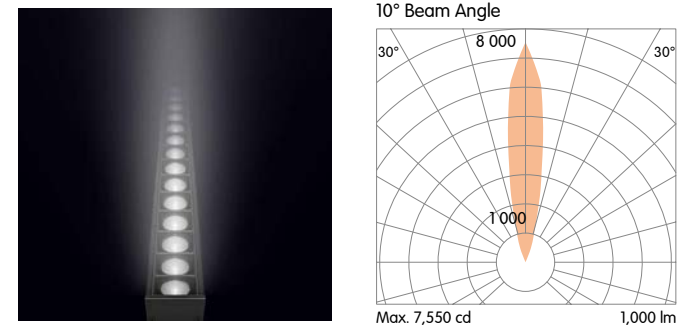
<sup>1</sup> The lumen values will be 50% lower in the fully shield-covered position.  
<sup>2</sup> Denotes static white (LJMJHJV) output at 3000K, without glare shield.  
<sup>3</sup> Denotes output specific to Dim-to-Warm at 3000K, without glare shield.  
<sup>4</sup> Denotes output specific to Tunable White at full on, without glare shield.  
<sup>5</sup> Denotes RGBW (C) output with all colors at full power.

<sup>6</sup> Not available with UNV voltage.  
<sup>7</sup> Only available with DMX dimming.

Consult factory for lead-times.  
 Consult factory for systems using multiple optics and mounting configurations.

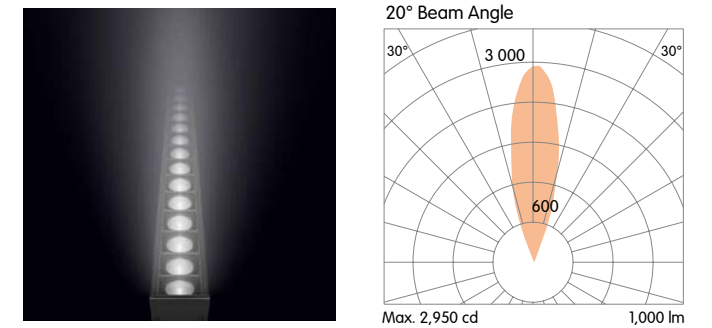
## OPTICAL FLEXIBILITY

### SUPER-NARROW BEAM DISTRIBUTION



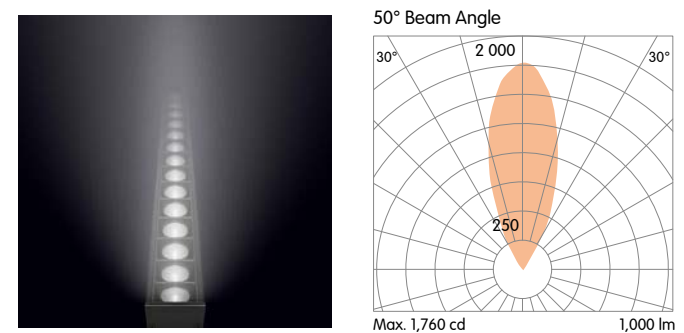
A super-narrow 10° beam is ideal for high-ceiling applications and for emphasizing texture on vertical surfaces and architectural elements.

### NARROW BEAM DISTRIBUTION



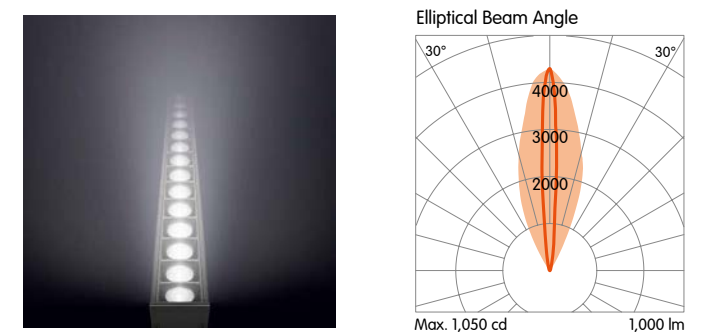
The 20° narrow beam is a versatile distribution that works in a wide range of applications and spaces. This optic is a nice balance between light punch and ambient uniformity.

### FLOOD BEAM DISTRIBUTION



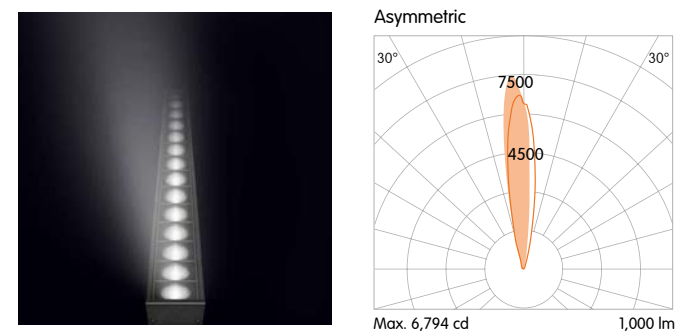
A 50° flood beam is the optimal option for achieving efficient ambient lighting with excellent uniformity and very low glare.

### ELLIPTICAL DISTRIBUTION



Elliptical distributions can be used anywhere focused illumination is needed. Billet's elliptical beam is ideal for applications such as grazing texture on vertical surfaces and illuminating long narrow spaces without scallops.

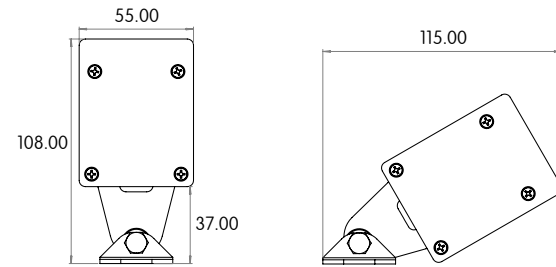
### ASYMMETRICAL DISTRIBUTION



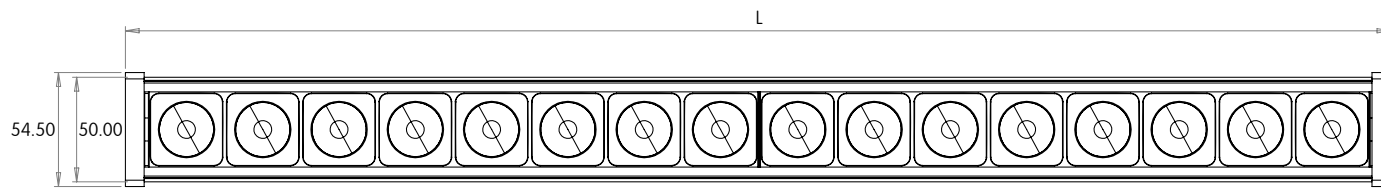
Lance Asymmetric delivers maximum performance for emphasizing textured and rough vertical surfaces. The standard output illuminates walls up to 14'-0" with outstanding transversal and longitudinal glare control.

**MOUNTING FLEXIBILITY**  
Per Millimeter

**SURFACE MOUNTED**



**Note:**  
This bracket's height is customizable.



L = 271 | 527 | 1039 | 1295 | 1551

**DIMENSIONS TABLE**  
Per Millimeter

			12"	24"	36"	48"	60"
	Height	Width	Actual Length (L)				
	mm	mm	mm	mm	mm	mm	mm
Surface Mounted	106.75	53.5	271	527	1039	1295	1551

**DELIVERED LUMEN OUTPUT**  
Per Meter

Output	Watts	CRI +90			
<b>STATIC-WHITE</b>		<b>2700K</b>	<b>3000K</b>	<b>3500K</b>	<b>4000K</b>
L	16W	1385 lm	1580 lm	1495 lm	1525 lm
M	33W	2585 lm	2740 lm	2790 lm	2840 lm
H	49W	3760 lm	3845 lm	4065 lm	4140 lm
V	66W	4830 lm	4960 lm	5215 lm	5310 lm
<b>DIM-TO-WARM 3000K-1800K</b>		<b>3000K</b>			
D	26W	1500 lm			
W	59W	4265 lm			
<b>TUNABLE WHITE 2700K-5000K</b>		<b>2700K</b>			<b>5000K</b>
U	33W	2325 lm			2325 lm
A	66W	4265 lm			4265 lm
<b>RGBW</b>		<b>R</b>	<b>G</b>	<b>B</b>	<b>W</b>
<b>TOTAL</b>	66W	2205 lm	3585 lm	555 lm	3415 lm

# LANCE Integral



## CONSTRUCTION

**Product Type :** Linear  
**Body Material :** Extruded Aluminum  
**Body Finish :** Black / Grey / White  
 Custom RAL  
**IP Rating :** IP66

## INSTALLATION

**Environment :** Indoor/Outdoor  
**Mounting :** Surface Mounted

## OPTICS

**Optical Distribution :** 10° / 20° / 28° / 50°  
 Elliptical (10°x28°) / (10°x36°) / Asymmetric  
**Anti glare Honeycomb Louvers**

## LIGHT SOURCE

**Direct Light Source :** High power LEDs  
**Luminous Output :** from 1385lm/m to 5310lm/m (Delivered)  
**Light Source CCT :** 2700K / 3000K / 3500K  
 4000K / Tunable White (2700K-5000K)  
 Dim-to-Warm (3000K-1800K) / RGBW  
**Color Rendering Index :** Ra90

## ELECTRICAL

**Input Voltage :** 220-240V / UNV 120-277V - 50Hz/60Hz  
**Load :** 16W/m to 66W/m  
**Output Type :** Constant Current  
**Driver Type :** Integral  
**Dimming :** 0-10V / DALI / ELV / DMX  
**Code Compliance :** ETL / CSA / CE

Series	Mounting	Nominal Length	Body Finish
LGW	S Surface Mounted	12 300 mm	W White
		24 600 mm	B Black
		36 900 mm	G Grey
		48 1200 mm	X Custom RAL
		60 1500 mm	
		XX Custom mm	
For custom lengths and shapes, consult factory. For exact lengths refer to dimensions table.			

Code example: **LGW-S12B-X-VUD-N-M927-0**

Glare Shield	Output	Voltage	Dimming	Baffles	Optics	CRI	Color Temp	Accessories
G <sup>1</sup> Glare Shield	L <sup>2</sup> 1580lm/m (16W)	2 220V	A No Dimming	W Flat White	S 10°	9 +90	27 2700K	O No Accessories
X No Glare Shield	M <sup>2</sup> 2740lm/m (33W)	U Universal 120 to 277V	B 0-10V to 1%	B Flat Black	N 20°		30 3000K	D Diffuse Lens
	H <sup>2</sup> 3845lm/m (49W)		C 0-10V to Fade-off	N Black Nickel	M 28°	35 3500K	E Elliptical Lens	
	V <sup>2</sup> 4960lm/m (66W)		D DALI to 1%	C Specular Chrome	F 50°	40 4000K	H Honeycomb Louvers	
	D <sup>3</sup> 1500lm/m (26W)		E <sup>6</sup> ELV Dimming	G Bright Gold	E 10°x 28°	WD 3000K - 1800K		
	W <sup>3</sup> 4265lm/m (59W)		F DMX	S Diffuse Gold	G 10°x 36°	TW 2700K - 5000K		
	U <sup>4</sup> 2325lm/m (33W)			X Custom	X Custom	CC <sup>5</sup> RGBW		
	A <sup>4</sup> 4265lm/m (66W)			O No Baffles	A Asymmetric			
C <sup>5</sup> 3585lm/m (66W)								

### Notes:

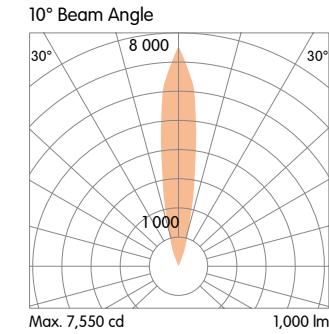
- The lumen values will be 50% lower in the fully shield-covered position.
- Denotes static white (LJMJHJV) output at 3000K, without glare shield.
- Denotes output specific to Dim-to-Warm at 3000K, without glare shield.
- Denotes output specific to Tunable White at full on, without glare shield.
- Denotes RGBW (C) output with all colors at full power.

- Not available with UNV voltage.
- Only available with DMX dimming.

Consult factory for lead-times.  
 Consult factory for systems using multiple optics and mounting configurations.

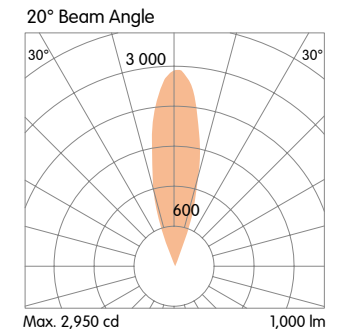
## OPTICAL FLEXIBILITY

### SUPER-NARROW BEAM DISTRIBUTION



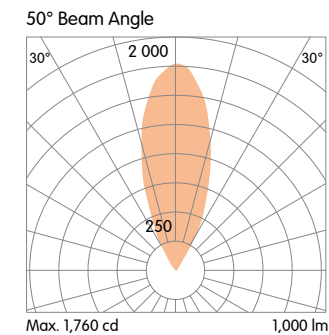
A super-narrow 10° beam is ideal for high-ceiling applications and for emphasizing texture on vertical surfaces and architectural elements.

### NARROW BEAM DISTRIBUTION



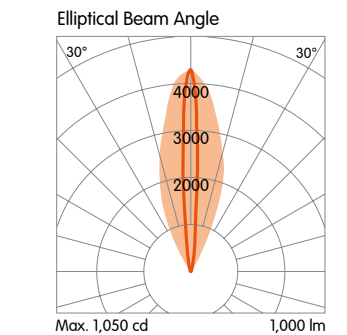
The 20° narrow beam is a versatile distribution that works in a wide range of applications and spaces. This optic is a nice balance between light punch and ambient uniformity.

### FLOOD BEAM DISTRIBUTION



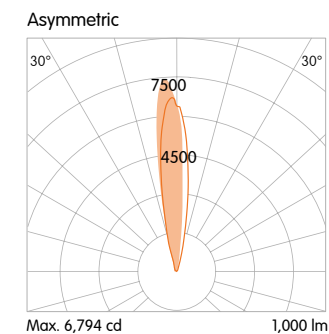
A 50° flood beam is the optimal option for achieving efficient ambient lighting with excellent uniformity and very low glare.

### ELLIPTICAL DISTRIBUTION



Elliptical distributions can be used anywhere focused illumination is needed. Bille's elliptical beam is ideal for applications such as grazing texture on vertical surfaces and illuminating long narrow spaces without scallops.

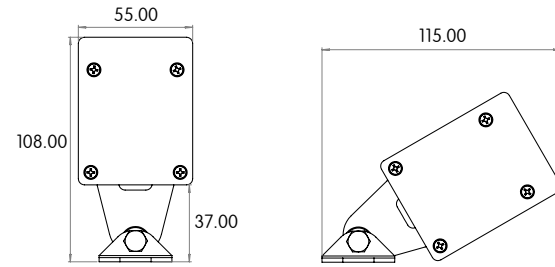
### ASYMMETRICAL DISTRIBUTION



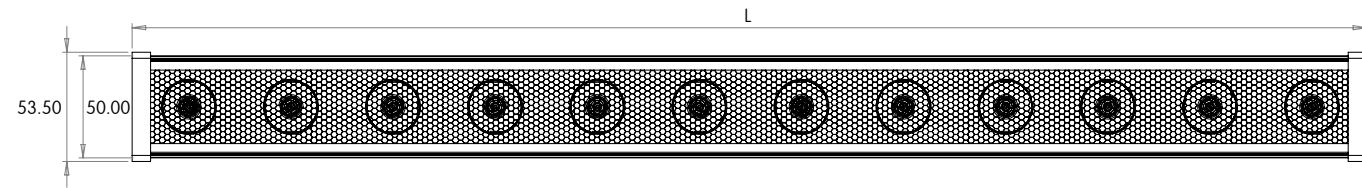
Lance Asymmetric delivers maximum performance for emphasizing textured and rough vertical surfaces. The standard output illuminates walls up to 14'-0" with outstanding transversal and longitudinal glare control.

**MOUNTING FLEXIBILITY**  
Per Millimeter

**SURFACE MOUNTED**



**Note:**  
This bracket's height is customizable.



**DELIVERED LUMEN OUTPUT**  
Per Meter

Output	Watts	CRI +90			
<b>STATIC-WHITE</b>		<b>2700K</b>	<b>3000K</b>	<b>3500K</b>	<b>4000K</b>
<b>L</b>	16W	1385 lm	1580 lm	1495 lm	1525 lm
<b>M</b>	33W	2585 lm	2740 lm	2790 lm	2840 lm
<b>H</b>	49W	3760 lm	3845 lm	4065 lm	4140 lm
<b>V</b>	66W	4830 lm	4960 lm	5215 lm	5310 lm
<b>DIM-TO-WARM 3000K-1800K</b>		<b>3000K</b>			
<b>D</b>	26W	1500 lm			
<b>W</b>	59W	4265 lm			
<b>TUNABLE WHITE 2700K-5000K</b>		<b>2700K</b>			<b>5000K</b>
<b>U</b>	33W	2325 lm			2325 lm
<b>A</b>	66W	4265 lm			4265 lm
<b>RGBW</b>		<b>R</b>	<b>G</b>	<b>B</b>	<b>W</b>
<b>TOTAL</b>	66W	2205 lm	3585 lm	555 lm	3415 lm

**DIMENSIONS TABLE**  
Per Millimeter

		12"	24"	36"	48"	60"
	Height	Actual Length (L)				
Surface Mounted	mm	mm	mm	mm	mm	mm
		91.25	54.5	304.5	604.5	904.5
						1504.5

# LANCE

## Integral Opal



### CONSTRUCTION

**Product Type :** Linear  
**Body Material :** Extruded Aluminum  
**Body Finish :** Black / Grey / White  
 Custom RAL  
**IP Rating :** IP66

### INSTALLATION

**Environment :** Indoor/Outdoor  
**Mounting :** Surface Mounted

### OPTICS

**Optical Distribution :** Lambertian

### LIGHT SOURCE

**Direct Light Source :** Mid-Power LEDs  
**Luminous Output :** from 975lm/m to 4185lm/m (Delivered)  
**Light Source CCT :** 2700K / 3000K  
 3500K / 4000K  
 Tunable White (2700K-5000K)  
**Color Rendering Index :** Ra90  
**Lifetime :** L80 B10 @ 70,000 Hrs

### ELECTRICAL

**Input Voltage :** 220-240V / UNV 120-277V - 50Hz/60Hz  
**Load :** 16W/m to 66W/m  
**Output Type :** Constant Current  
**Driver Type :** Integral  
**Dimming :** 0-10V / DALI / ELV / DMX  
**Code Compliance :** ETL / CSA / CE

Series	Mounting	Nominal Length	Body Finish
<b>LOW</b>	S Surface Mounted	12 300 mm	W White
		24 600 mm	B Black
		36 900 mm	G Grey
		48 1200 mm	X Custom RAL
		60 1500 mm	
		XX Custom mm	
For custom lengths and shapes, consult factory.			
For exact lengths refer to dimensions table.			

Code example: **LOW**-S12B-X-VUD-O-L927

Glare Shield	Output	Voltage	Dimming	Diffuser	Optics	CRI	Color Temp
G <sup>1</sup> Glare Shield	L <sup>2</sup> 1030lm/m (16W)	2 220V	A No Dimming	O Opal	L Opal	9 +90	27 2700K
X No Glare Shield	M <sup>2</sup> 2075lm/m (33W)	U Universal 120 to 277V	B 0-10V to 1%				30 3000K
	H <sup>2</sup> 3115lm/m (49W)		C 0-10V to Fade-off				35 3500K
	V <sup>2</sup> 3985lm/m (66W)		D DALI to 1%				40 4000K
	U <sup>3</sup> 2180lm/m (33W)		E <sup>4</sup> ELV Dimming				TW 2700K - 5000K
	A <sup>3</sup> 4185lm/m (66W)		F DMX				

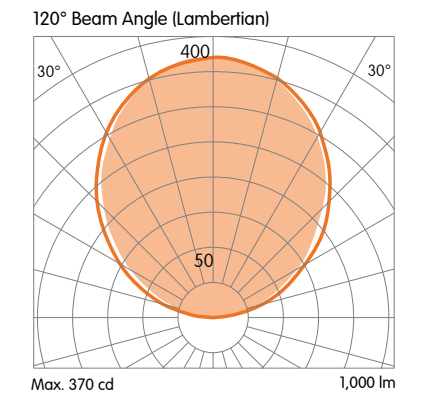
#### Notes:

- <sup>1</sup> The lumen values will be 50% lower in the fully shield-covered position.
- <sup>2</sup> Denotes static white (LJIMIHV) output at 3000K, without glare shield.
- <sup>3</sup> Denotes output specific to Dim-to-Warm at 3000K, without glare shield.
- <sup>4</sup> Not available with UNV voltage.
- <sup>5</sup> Hi-lume, Vive, and Athena compatible.

Consult factory for lead-times.  
 Consult factory for systems using multiple optics and mounting configurations.

## OPTICAL FLEXIBILITY

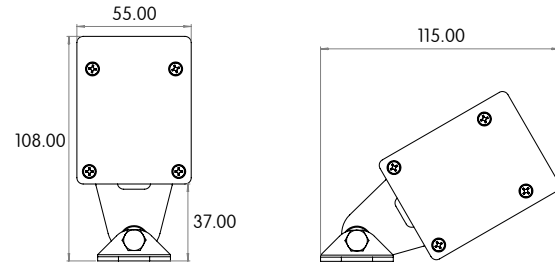
### LAMBERTIAN DISTRIBUTION



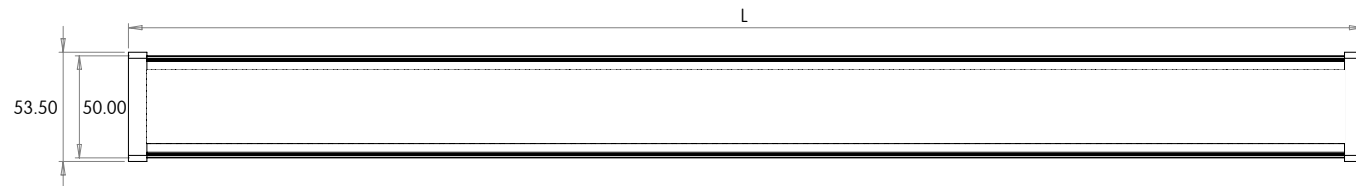
Lambertian distributions are optimal for general lighting, providing a soft and uniform illumination on both horizontal and vertical surfaces. Lance's opal lens is ideal for commercial, retail, institutional, and any other environment where comfortable and even illumination is needed.

**MOUNTING FLEXIBILITY**  
Per Millimeter

**SURFACE MOUNTED**



Note: This bracket's height is customizable.



**DIMENSIONS TABLE**  
Per Millimeter

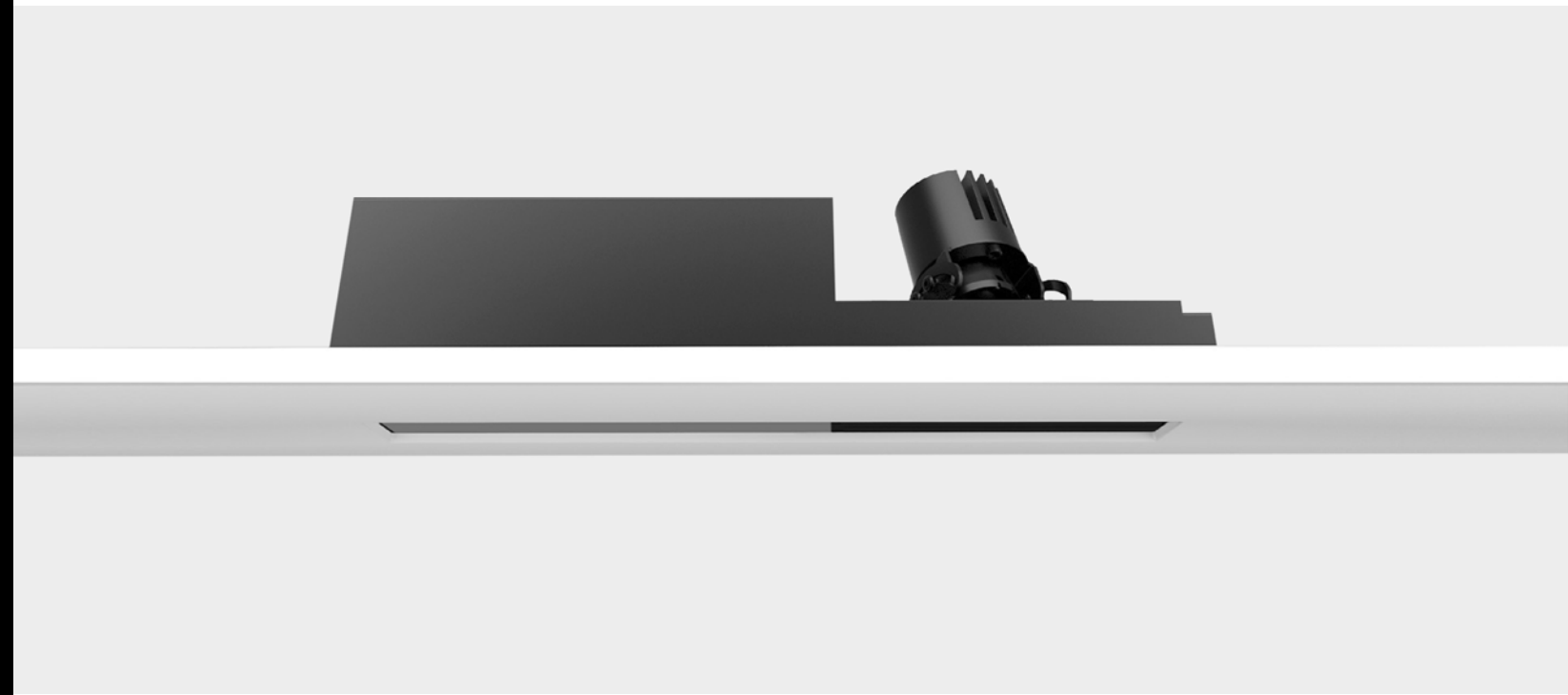
		12"	24"	36"	48"	60"		
Surface Mounted	Height	Actual Length (L)						
	Width							
		mm	mm	mm	mm	mm		
	Height	106.75	53.5	304.5	604.5	904.5	1204.5	1504.5

**DELIVERED LUMEN OUTPUT**  
Per Meter

Output	Watts	CRI +90			
<b>STATIC-WHITE</b>		<b>2700K</b>	<b>3000K</b>	<b>3500K</b>	<b>4000K</b>
L	16W	975 lm	1030 lm	1065 lm	1085 lm
M	33W	1960 lm	2075 lm	2140 lm	2180 lm
H	49W	2945 lm	3115 lm	3210 lm	3270 lm
V	66W	3765 lm	3985 lm	4105 lm	4185 lm
<b>TUNABLE WHITE 2700K-5000K</b>		<b>2700K</b>			<b>5000K</b>
U	33W	1960 lm		2180 lm	
A	66W	3765 lm		4185 lm	

POINTSOURCE

ghost  
INTANGIBLE PRESENCE



**Ghost Washer - Downlighting Fixed**

**Ghost Downlighting Adjustable**

**Ghost Hybrid**

Ghost is a unique optical lighting system designed to disappear in a narrow 1" slot.

The optics are deeply regressed to give the impression of a slim void and the mud flange provides a trimless integration in gypsum ceilings, also available with trim option.

Ghost relies on indirect light reflectors and double focus lens technology to achieve glare-free optics. It offers an infinite number of optical iterations allowing transitions from a fixed downlight to an adjustable downlight, to a single wallwash and even to a double wallwash. All these optics are integrated into a compact slot for an outstanding quiet lighting effect.

# GHOST

## Washer - Downlighting Fixed



- Discreet and recessed source of light
- UGR <10
- Multi-Optics configurations
- Fixed Downlight, Wallwash, and Adjustable Accent from a 30mm Slot
- Unobstructed complete beams even with 40° tilt
- Powers are 16W/ft for the Double Washer and 8W for both the Adjustable and Fixed Downlights

### Washer Nomenclature : GIWD-T12W-1S1A-930-0

Series	Wallwash	Mounting	Nominal Length <sup>1</sup>	Body Finish	Fixed Downlight/ft	Beam Angle	Voltage	Dimming	CRI	Color Temp	Emergency
GIW	D Double Wallwash	R Recessed with Trim	06	06"	W None	S Narrow 10°	1 120V	A Non-Dim	9 +90	27 2700K	0 No
	O One Wallwash	T Recessed Trimless	12	12"	B Textured Black	M Medium 24°	U Universal 120-277V	B 0-10V to 1%		30 3000K	9 90 mins
	E Empty Profile		24	24"	G Silver 9006	F Flood 36°		D DALI to 1%		35 3500K	
			36	36"	X Custom RAL			E ELV		40 4000K	
			48	48"				G <sup>2</sup> LUTRON			
		60	60"								

### DELIVERED LUMEN OUTPUT

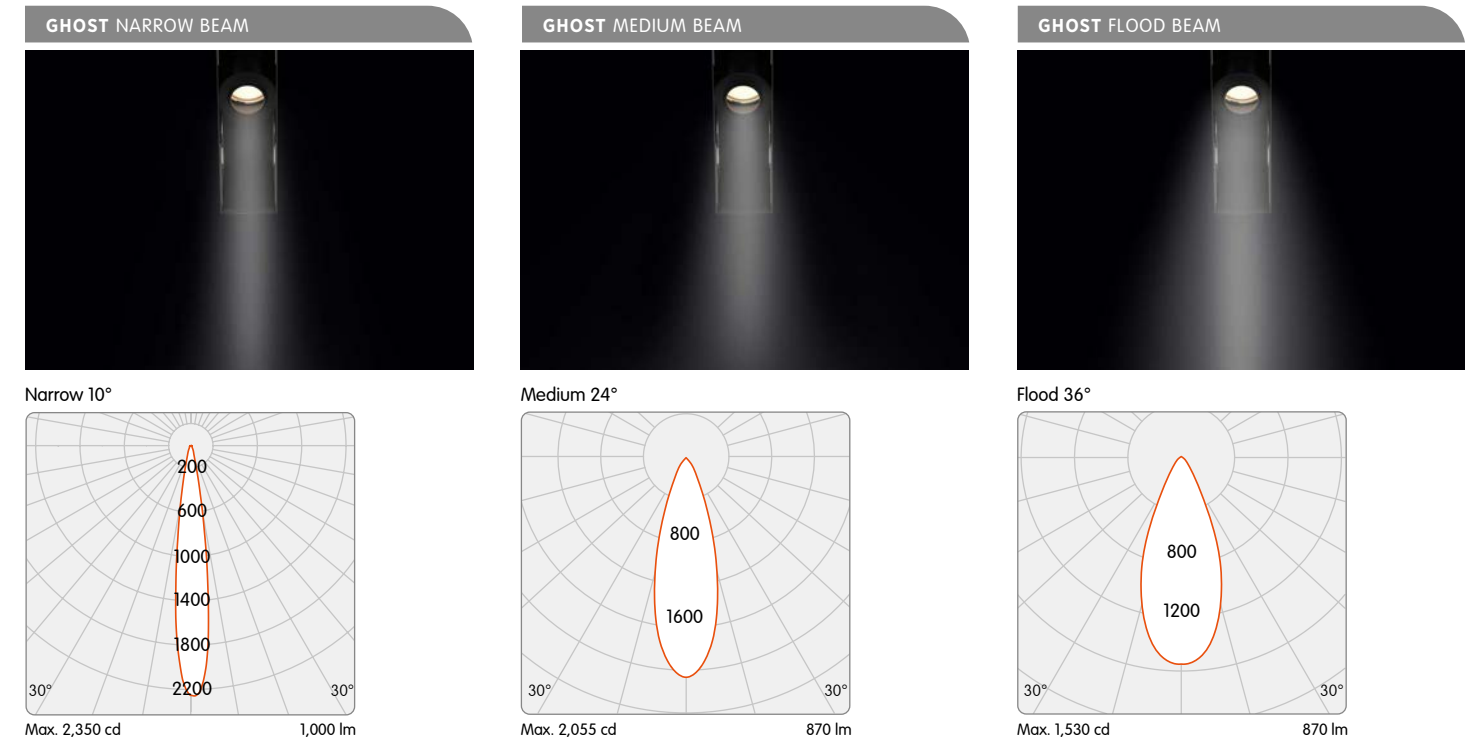
Output	Watts	CRI +90			
		2700K	3000K	3500K	4000K
Wallwash	8W/ft	580lm	600lm	630lm	640lm
Fixed Downlight	8W	630lm	650lm	680lm	700lm

Notes:  
<sup>1</sup> For exact lengths refer to dimensions table.  
<sup>2</sup> Hi-lume 1% EcoSystem Soft-on, Fade-to-Black dimming.

Consult factory for lead-times.  
 Consult factory for systems using multiple optics and mounting configurations.

### OPTICAL FLEXIBILITY

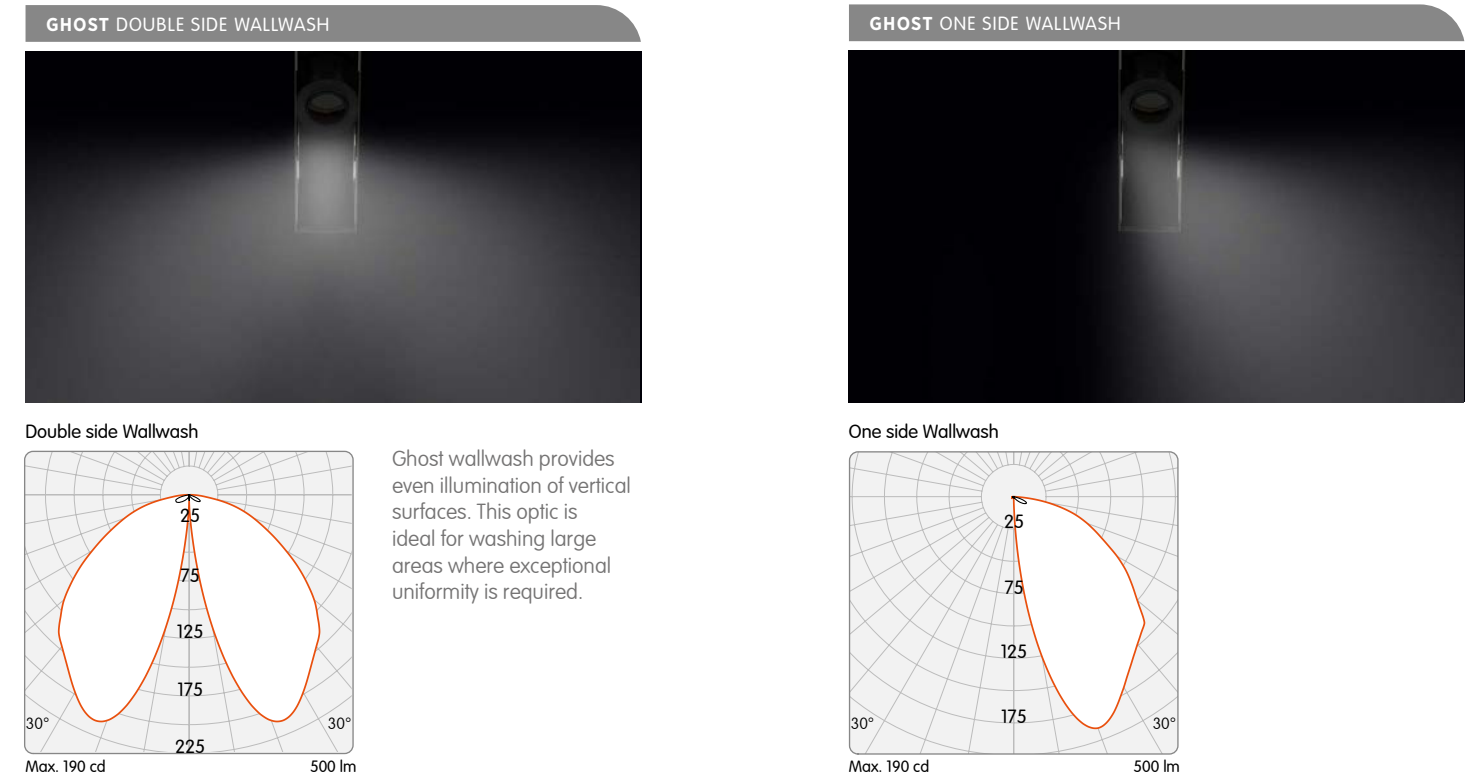
#### Photometric data: Fixed Polar Curves



The narrow 10° beam is ideal for high-ceiling applications and for emphasizing texture on vertical surfaces and architectural elements.

The medium 24° beam is a versatile distribution that works in a wide range of applications and spaces. This optic is a nice balance between light punch and ambient uniformity.

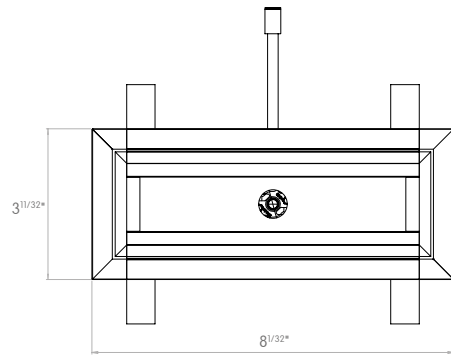
A 36° flood beam is the optimal option for achieving efficient ambient lighting with excellent uniformity and very low glare.



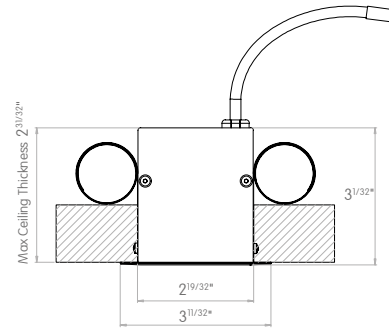
Ghost wallwash provides even illumination of vertical surfaces. This optic is ideal for washing large areas where exceptional uniformity is required.

**MOUNTING FLEXIBILITY**

**FIXED WITH TRIM**

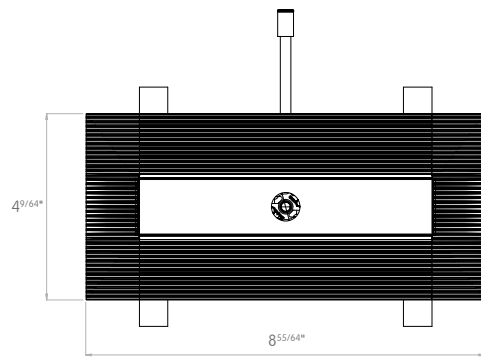


TOP VIEW

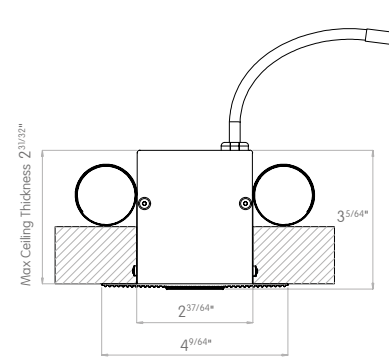


FRONT VIEW

**FIXED TRIMLESS**

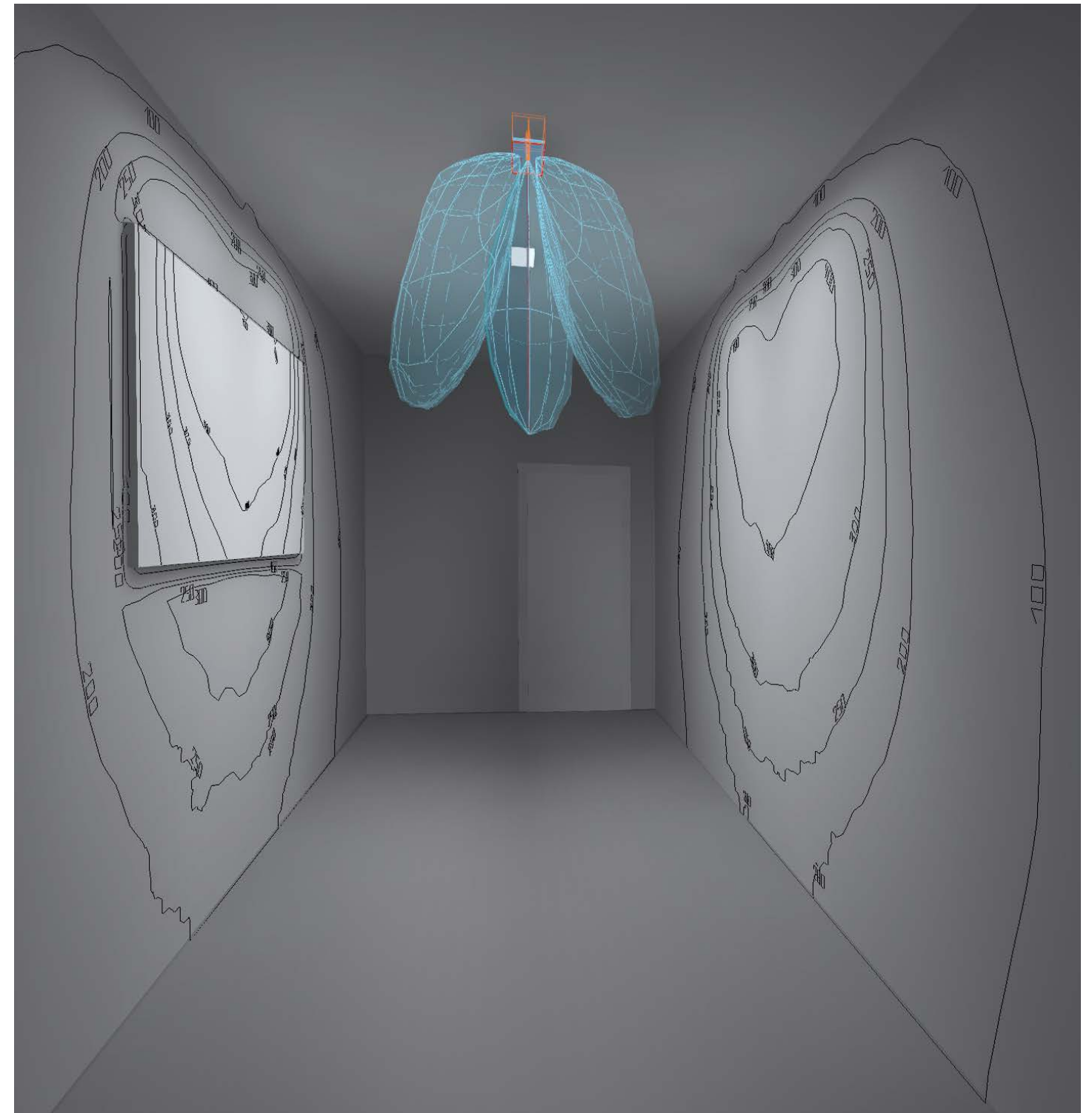


TOP VIEW



FRONT VIEW

**Wallwash and Downlight Isolux**



**DIMENSIONS TABLE**

	12"	24"	36"	48"	60"
Actual Length (L)					
<b>Trim</b>	inch 13 7/16"	inch 25 5/16"	inch 37 3/16"	inch 49 2/16"	inch 61
<b>Trimless</b>	inch 14 4/16"	inch 26 2/16"	inch 38 1/16"	inch 49 15/16"	inch 61 13/16"

# GHOST

## Downlighting Adjustable



- Discreet and recessed source of light
- UGR <10
- Adjustable Accent from a 30mm Slot
- Unobstructed complete beams even with 30° tilt
- Powers is 8W for both the Adjustable Downlights

### Adjustable Nomenclature : **GIA-RW-S-1A-930-0**

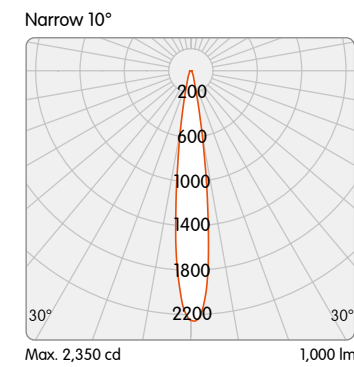
Series	Mounting	Body Finish	Beam Angle	Voltage	Dimming	CRI	Color Temp	Emergency
<b>GIA</b>	R Recessed with Trim	W Textured White	S Narrow 10°	1 120V	A Non-Dim	9 +90	27 2700K	0 No
	T Recessed Trimless	B Textured Black	M Medium 24°	U Universal 120-277V	B 0-10V to 1%		30 3000K	9 90 mins
		G Silver 9006	F Flood 36°		D DALI to 1%		35 3500K	
		X Custom RAL			E ELV		40 4000K	
					G' LUTRON			

### DELIVERED LUMEN OUTPUT

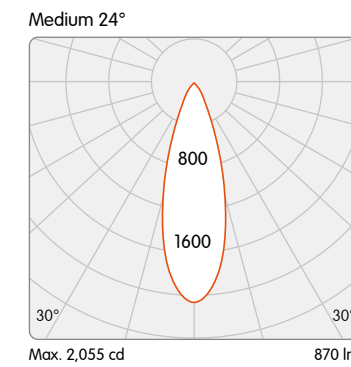
Output	Watts	CRI +90			
	8W	2700K	3000K	3500K	4000K
Adjustable Downlight	8W	630lm	650lm	680lm	700lm

### OPTICAL FLEXIBILITY

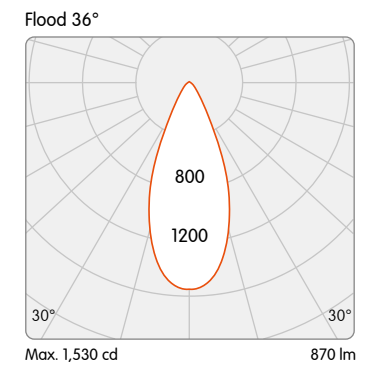
#### Photometric data: Adjustable Polar Curves



The narrow 10° beam is ideal for high-ceiling applications and for emphasizing texture on vertical surfaces and architectural elements.



The medium 24° beam is a versatile distribution that works in a wide range of applications and spaces. This optic is a nice balance between light punch and ambient uniformity.



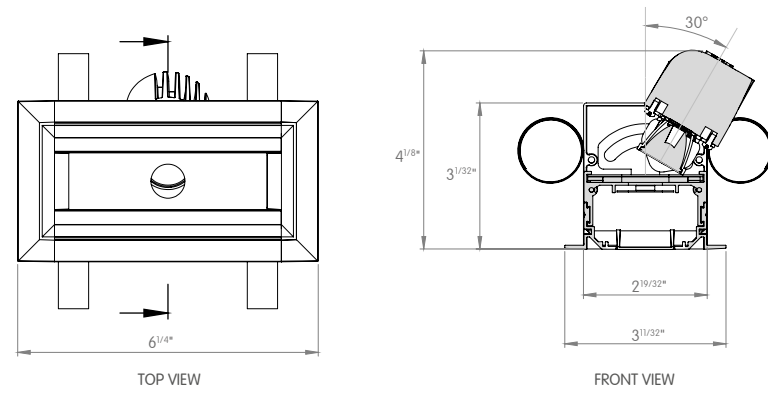
A 36° flood beam is the optimal option for achieving efficient ambient lighting with excellent uniformity and very low glare.

Notes:  
<sup>1</sup> Hi-lume 1% EcoSystem Soft-on, Fade-to-Black dimming.

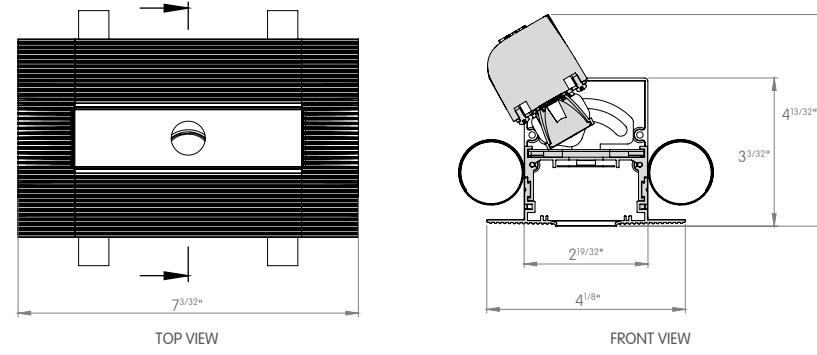
Consult factory for lead-times.  
 Consult factory for systems using multiple optics and mounting configurations.

## MOUNTING FLEXIBILITY

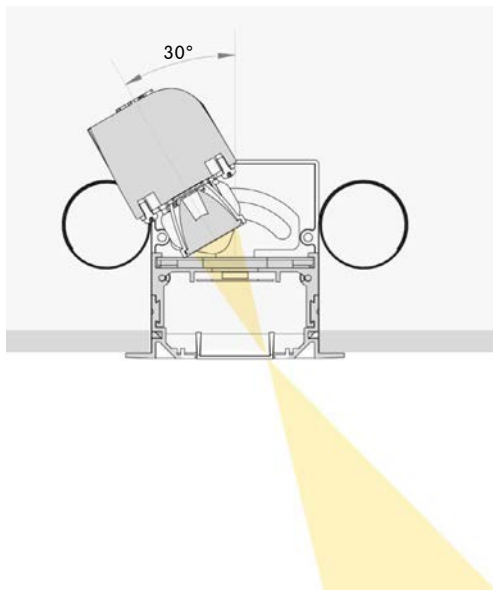
### ADJUSTABLE WITH TRIM



### ADJUSTABLE TRIMLESS



## TILTABILITY



- $\pm 30^\circ$  Downlight Tilt
- $360^\circ$  Rotation
- No Beam Cutoff



# GHOST Hybrid



- Discreet and recessed source of light
- UGR <10
- Multi-Optics configurations
- Fixed Downlight, Wallwash, and Adjustable Accent from a 30mm Slot
- Unobstructed complete beams even with 40° tilt
- Powers are 16W/ft for the Double Washer and 8W for both the Adjustable and Fixed Downlights

## Washer Nomenclature : GIWH-T12W-1S1A-930-0

Series	Wallwash	Mounting	Nominal Length <sup>1</sup>	Body Finish	Qty - Fixed Downlight	Beam Angle	Voltage	Dimming	CRI	Color Temp	Emergency
GIW	H Double Wallwash Hybrid	R Recessed with Trim	6	6" (Only 1 downlight)	1	S Narrow 10°	1 120V	A Non-Dim	9 +90	27 2700K	0 No
		T Recessed Trimless	12	12" (Up to 2 downlights)	2	M Medium 24°	U Universal 120-277V	B 0-10V to 1%		30 3000K	9 90 mins
						F Flood 36°		D DALI to 1%		35 3500K	
				G Silver 9006				E ELV		40 4000K	
				X Custom RAL				G <sup>2</sup> LUTRON			

## Adjustable Nomenclature : GIAH-T12W-1S1A-930-0

Series	Adjustable	Mounting	Nominal Length <sup>1</sup>	Body Finish	Qty - Adjustable Downlight	Beam Angle	Voltage	Dimming	CRI	Color Temp	Emergency
GIA	H Adjustable Hybrid	R Recessed with Trim	6	6" (Only 1 downlight)	1	S Narrow 10°	1 120V	A Non-Dim	9 +90	27 2700K	0 No
		T Recessed Trimless	12	12" (Up to 2 downlights)	2	M Medium 24°	U Universal 120-277V	B 0-10V to 1%		30 3000K	9 90 mins
						F Flood 36°		D DALI to 1%		35 3500K	
				G Silver 9006				E ELV		40 4000K	
				X Custom RAL				G <sup>2</sup> LUTRON			

### Notes:

<sup>1</sup> For exact lengths refer to dimensions table.

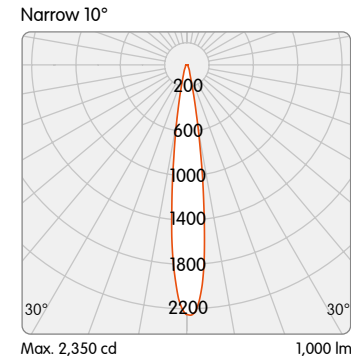
<sup>2</sup> Hi-lume 1% EcoSystem Soft-on, Fade-to-Black dimming.

Consult factory for lead-times.

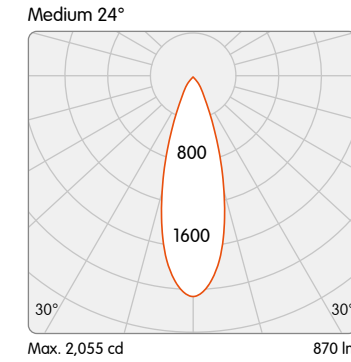
Consult factory for systems using multiple optics and mounting configurations.

## OPTICAL FLEXIBILITY

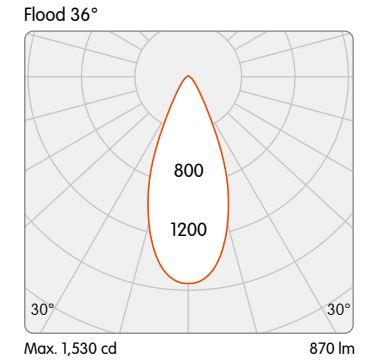
### Photometric data: Fixed and Adjustable Polar Curves



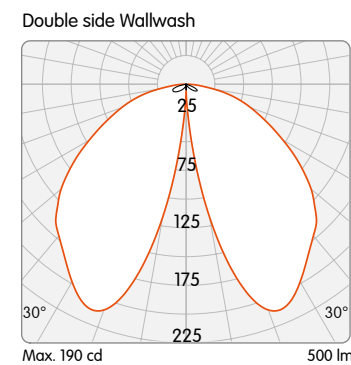
The narrow 10° beam is ideal for high-ceiling applications and for emphasizing texture on vertical surfaces and architectural elements.



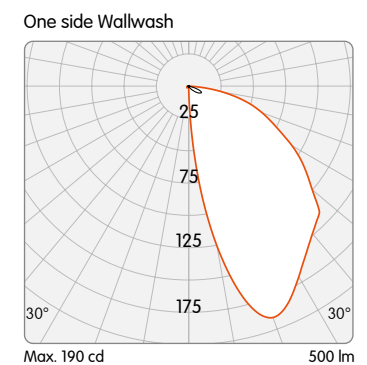
The medium 24° beam is a versatile distribution that works in a wide range of applications and spaces. This optic is a nice balance between light punch and ambient uniformity.



A 36° flood beam is the optimal option for achieving efficient ambient lighting with excellent uniformity and very low glare.

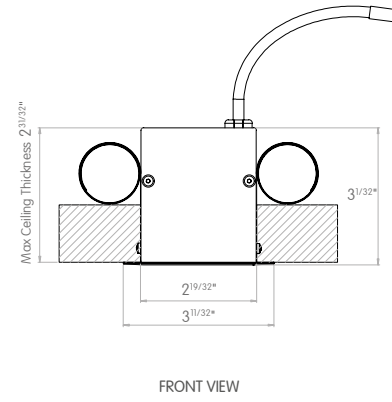
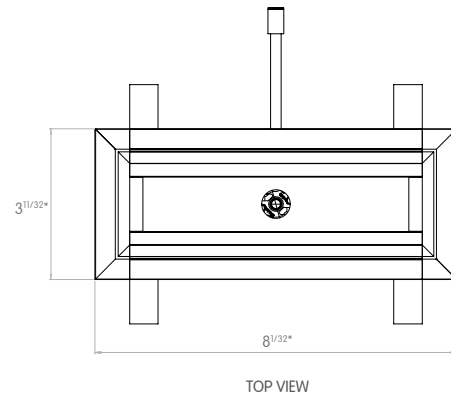


Ghost wallwash provides even illumination of vertical surfaces. This optic is ideal for washing large areas where exceptional uniformity is required.

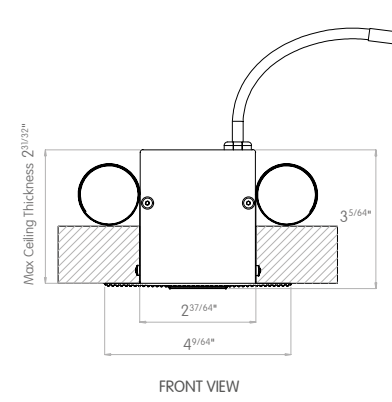
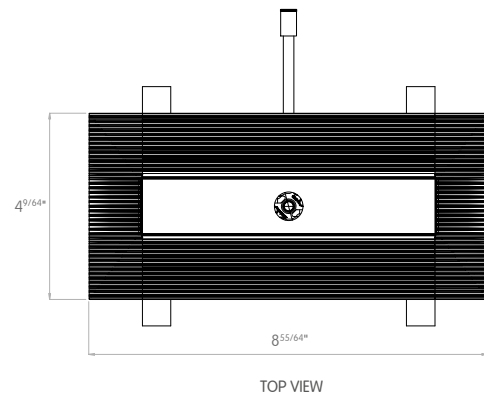


## MOUNTING FLEXIBILITY

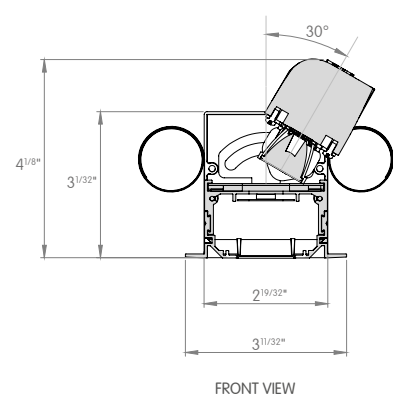
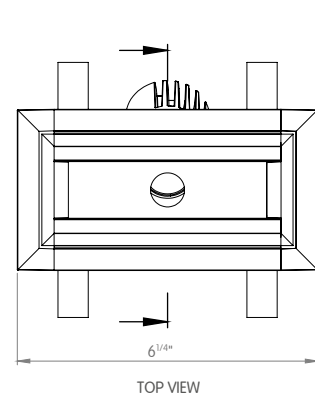
### FIXED WITH TRIM



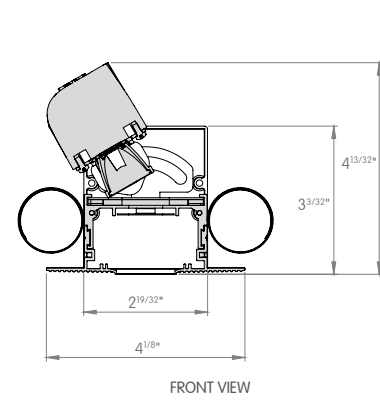
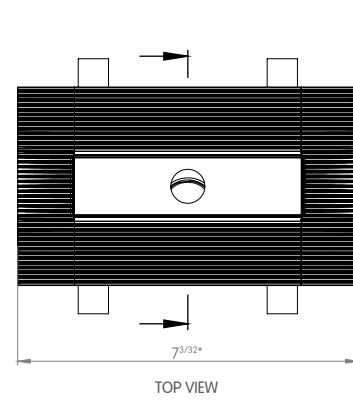
### FIXED TRIMLESS



### ADJUSTABLE WITH TRIM



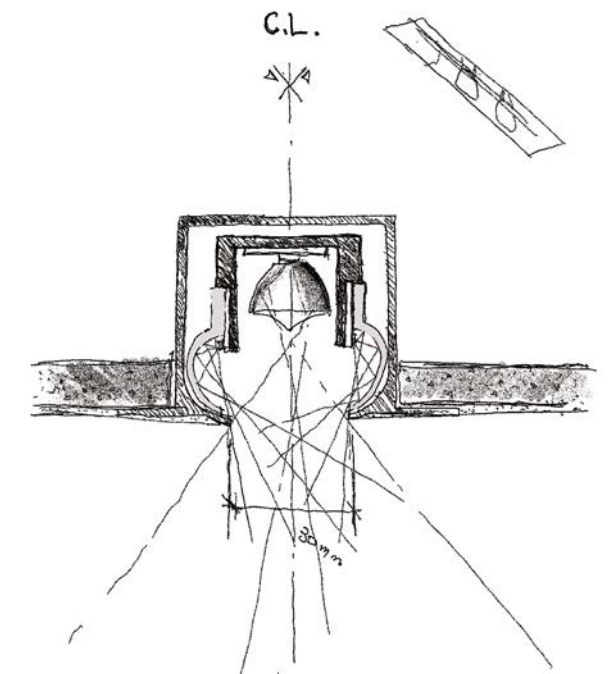
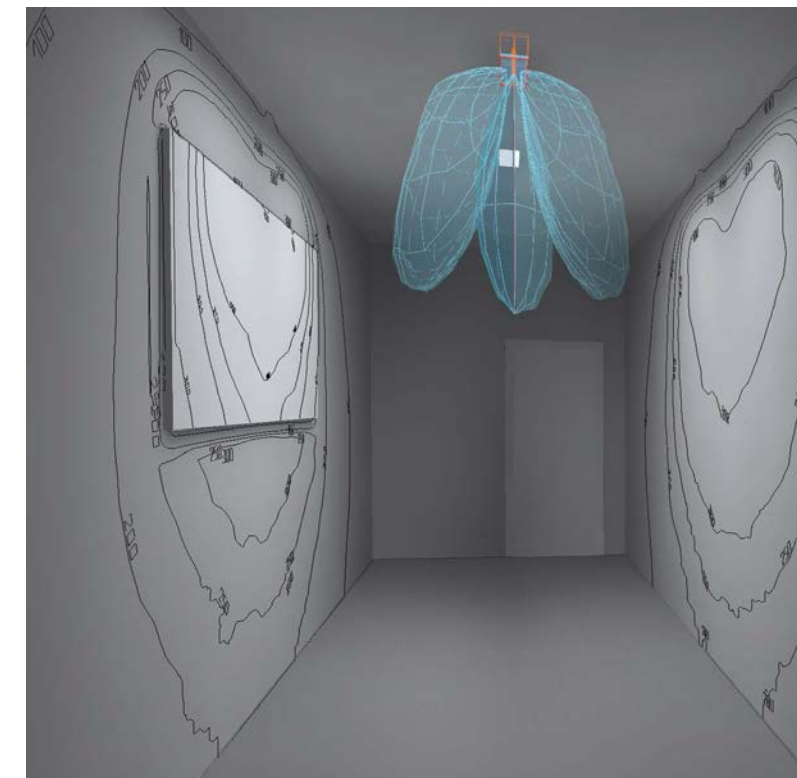
### ADJUSTABLE TRIMLESS



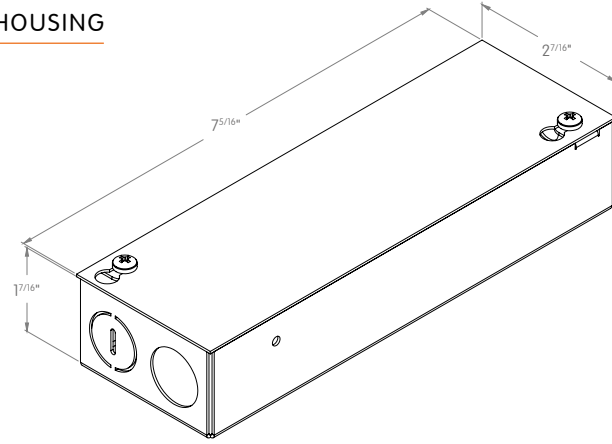
## DELIVERED LUMEN OUTPUT

Output	Watts	CRI +90			
Adjustable Downlight	8W	2700K	3000K	3500K	4000K
	8W	630lm	650lm	680lm	700lm
Wallwash	8W/ft	2700K	3000K	3500K	4000K
		580lm	600lm	630lm	640lm
Fixed Downlight	8W	630lm	650lm	680lm	700lm

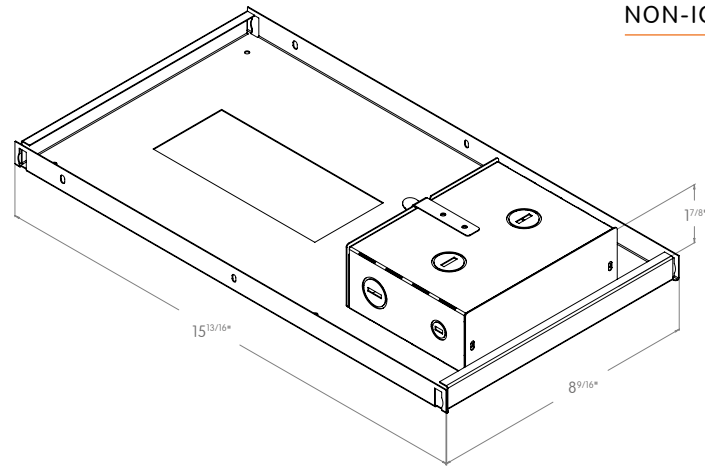
## Wallwash and Downlight Isolux



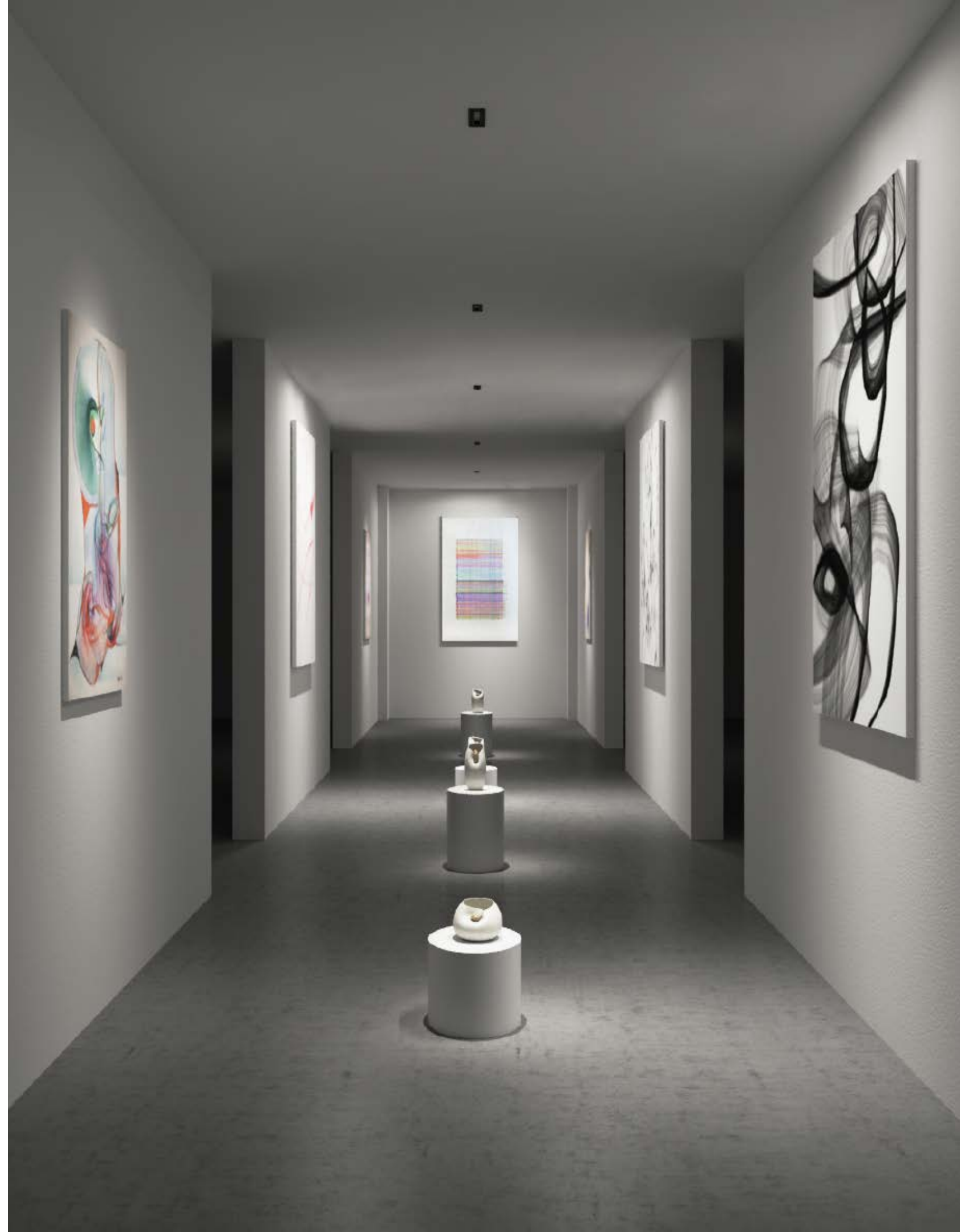
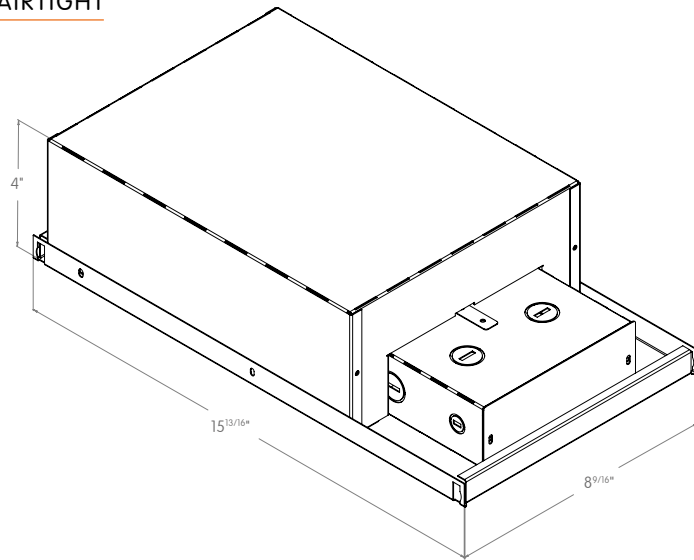
REMODEL HOUSING



NON-IC HOUSING



IC HOUSING & AIRTIGHT



hameleon

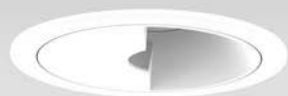
UNRIVALED UNIFORMITY



**FIXED**  
Round



**ADJUSTABLE / ZOOMABLE**  
Square



**WALLWASH**  
Shallow Round

A Versatile Family of 70mm & 100mm downlights.

Chameleon downlights offer a unique interchangeability of optics, accessories, trims, and reflectors, which can be easily modified at any point in the design process.

As an added feature, the adjustable luminaire comes standard with a zoomable lens, giving specifiers even more flexibility to transform a changing environment.

Bold's new 3" streamlined downlight and wallwasher complement the spec grade range of Chameleon downlights by offering an equivalent performance and quality, yet with simplicity that allows it to meet the strictest budgets. Engineered for efficiency and value, the Streamlined Chameleon maintains a high level of flexibility in optical and finish options. It is a great tool for multi-family residential projects as well as large scale corporate and hospitality developments.



CCC Certified  
to GB7000



JA8 Certified  
to Title 24  
standards



## CHAMELEON 3 INCH

# CHAMELEON R3"

## Fixed



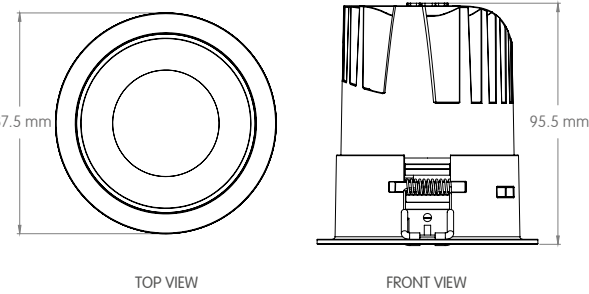
- Up to 890lm delivered output
- Trim, trimless and millwork mounting options
- High CRI, up to +97 CRI, available upon request
- Dim-to-Warm capability 3000K to 1800K
- Tunable White capability 2700K to 5000K
- Wide Range of optical options
- 5 years limited warranty
- Chicago plenum rated

\* Downlight is inherently IC rated per ETL testing to UL1598 standard and can be installed without a housing when specified with Standard Output (11 Watts). LED driver current is factory set at 260mA.

### HOUSING SPECS

Code example: **C3-L10R9**

Series	Power/Output	Voltage	Control	Housing	Emergency
<b>C3</b>	L <sup>1</sup> 9W (850lm)	1 120V	0 Non-Dim	R Remodel	N No
	M <sup>1</sup> 11W (1050lm)	U Universal 120V to 277V	1 0-10 to 1%	N Non-IC	9 90 mins
	H <sup>1</sup> 13W (1250lm)		2 0-10 fade-off	I <sup>5</sup> IC	
	D <sup>2</sup> 8W (565lm)		D Dali	A <sup>8</sup> Airtight	
	W <sup>2</sup> 12W (800lm)		P Phase ELV & Triac	O No Housing	
	U <sup>3</sup> 8W (1010lm)		L Lutron		
	A <sup>3</sup> 12W (1440lm)		X DMX		
	C <sup>4</sup> 8W (180lm)				



### MODULE SPECS

The Module should have the same Power as the Housing

Code example: **C3-LR0-FWP-WW-S927-0-N**

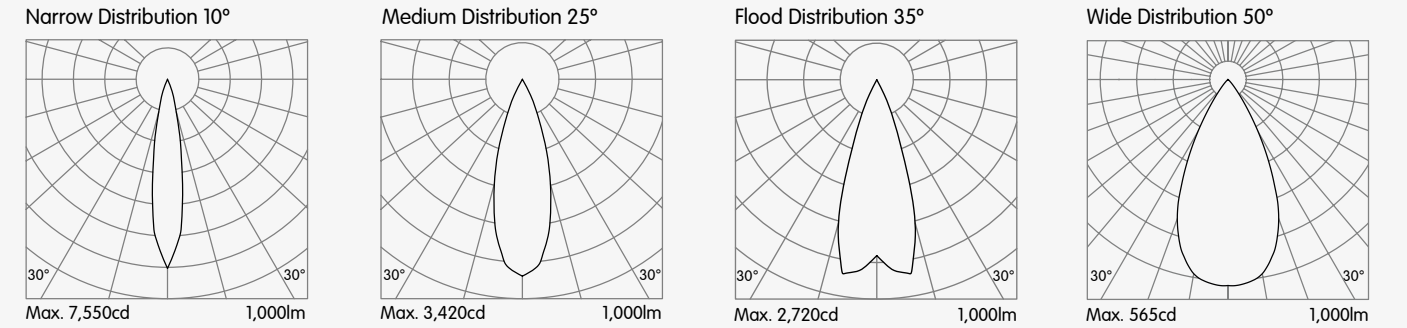
P/O	Mounting	Trim Color	Ref. Style	Ref. Color	IP Rating	Optics Type	LED CRI	LED CCT	Accessories (Primary)	Accessories (Secondary)
<b>C3</b>	R0 Round Trimless	<b>F</b> W White	<b>B</b> Beveled	<b>W</b> Flat White	<b>D</b> Dry	<b>S</b> 10°	<b>9</b> 90	<b>27</b> 2700K	<b>0</b> No Accessories	<b>N</b> No Accessories
	R1 Round Trim	<b>B</b> Black	<b>P</b> Pinhole	<b>B</b> Flat Black	<b>W</b> Wet	<b>M</b> 25°	<b>H</b> Thrive	<b>30</b> 3000K	<b>C</b> Clear Lens	<b>T</b> Clear Lens
	R2 Round Trim with Constant Force Spring	<b>S</b> Grey		<b>N</b> Black Nickel		<b>F</b> 35°		<b>35</b> 3500K	<b>D<sup>7</sup></b> Diffuse lens	<b>L</b> Diffuse lens
	R3 Round Millwork	<b>X</b> Custom		<b>C</b> Specular Chrome		<b>W</b> 50°		<b>40</b> 4000K	<b>E<sup>8</sup></b> Elliptical Lens	<b>F</b> Solite Lens
				<b>D</b> Diffuse Chrome				<b>WD</b> 3000 - 1800K	<b>H</b> Honeycomb Lens	
				<b>G</b> Bright Gold				<b>TW<sup>6</sup></b> 2700 - 5000K	<b>S</b> Solite Lens	
				<b>E</b> Diffuse Gold				<b>CC</b> RGBW	<b>M</b> Mixing	

### Notes:

- Denotes output at 3000K, unless otherwise noted.
  - Denotes output specific to Dim-to-Warm at 3000K.
  - Denotes output specific to Tunable White at full on.
  - Denotes output at White, 3000K.
  - Chicago Plenum rated.
  - Tunable White available in 0-10V, DMX and DALI.
  - Diffuse lenses available in different angles.
  - Elliptical lenses available in different angles.
- Consult factory for lead-times. Bold Lighting reserves the right to make technical changes without notice.

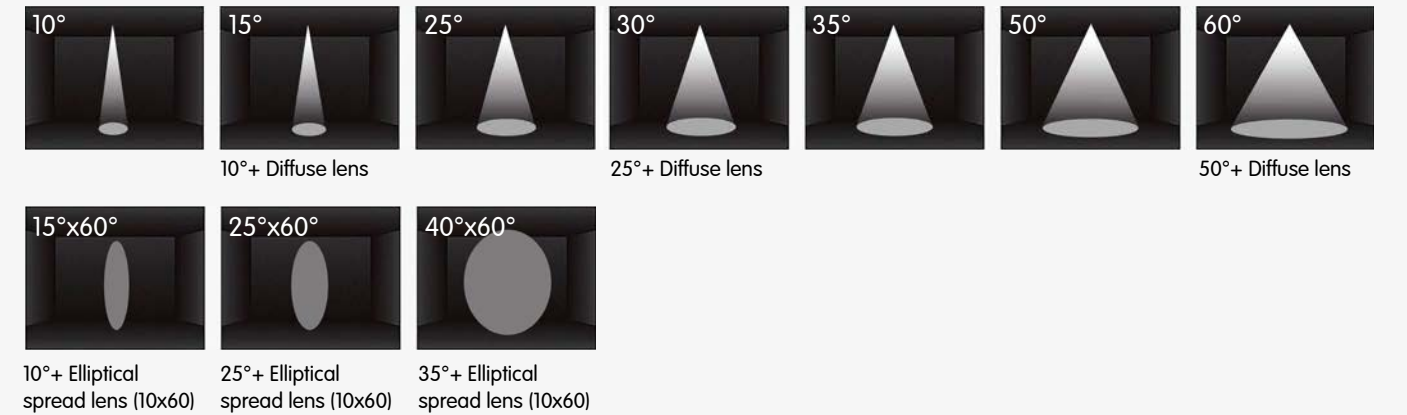
## OPTICAL FLEXIBILITY

### Photometric data: Type C Polar Curves

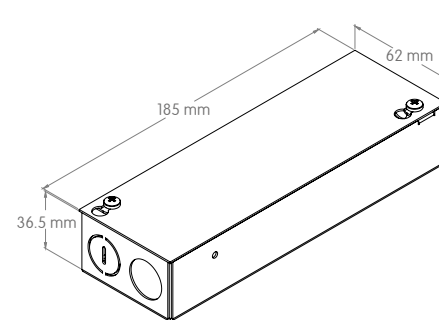


Notes:  
Other beam distribution available on demand. Please consult factory.

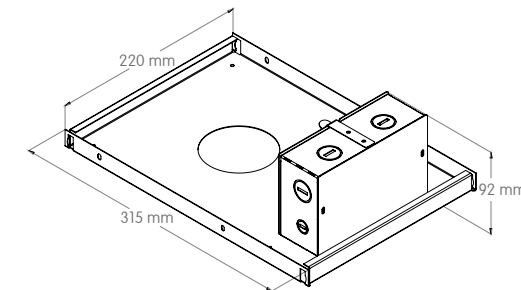
### Beam distribution and combination



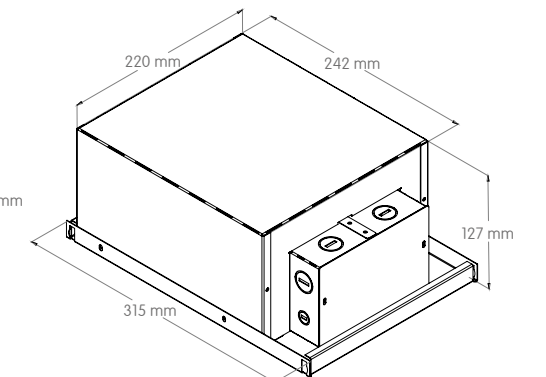
### REMODEL HOUSING



### NON-IC HOUSING

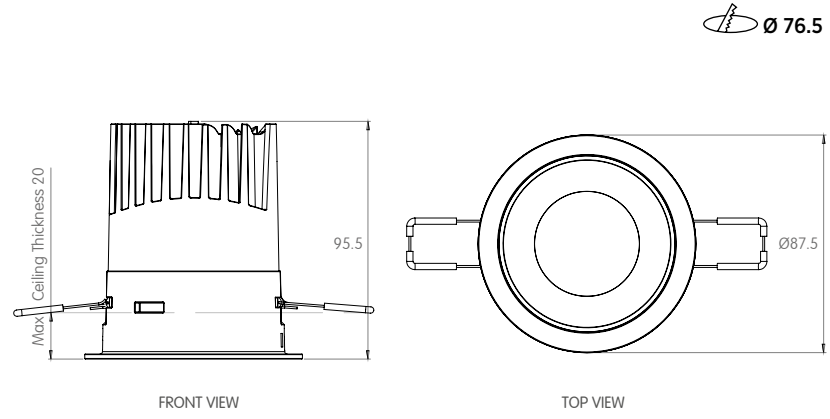


### IC HOUSING & AIRTIGHT

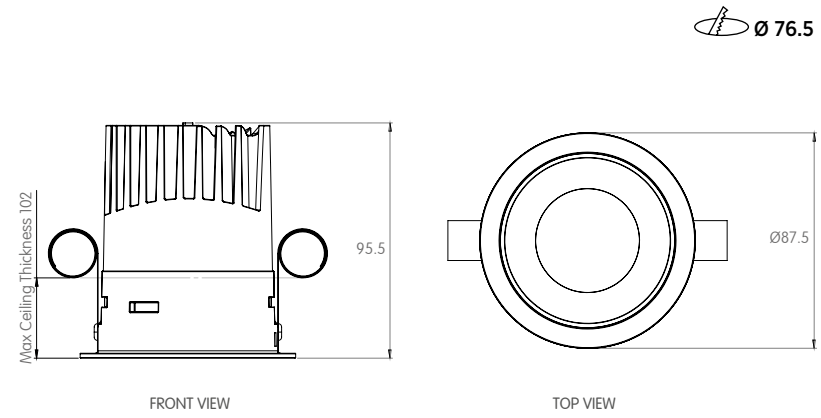


**MOUNTING FLEXIBILITY**  
Per Millimeter

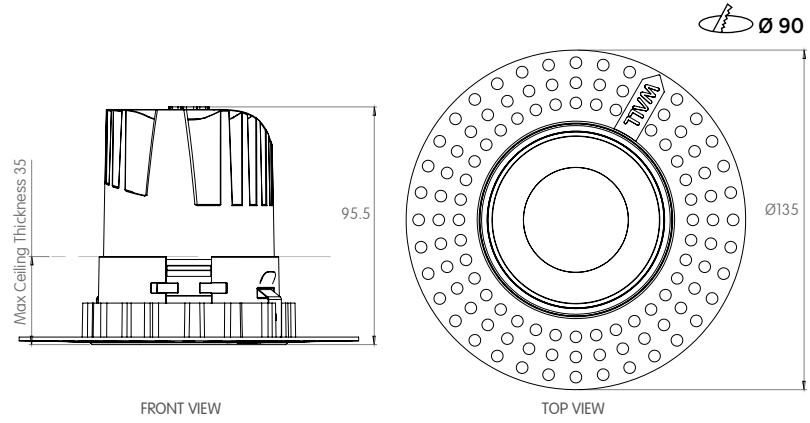
**TRIM TORSION SPRINGS**



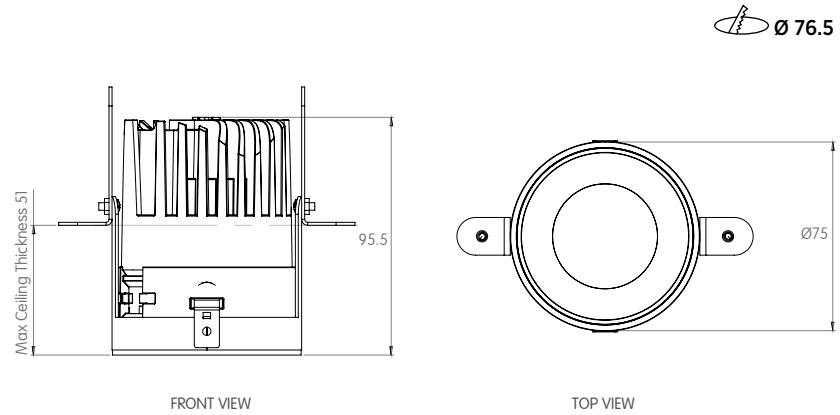
**TRIM CONSTANT FORCE SPRINGS**



**TRIMLESS**



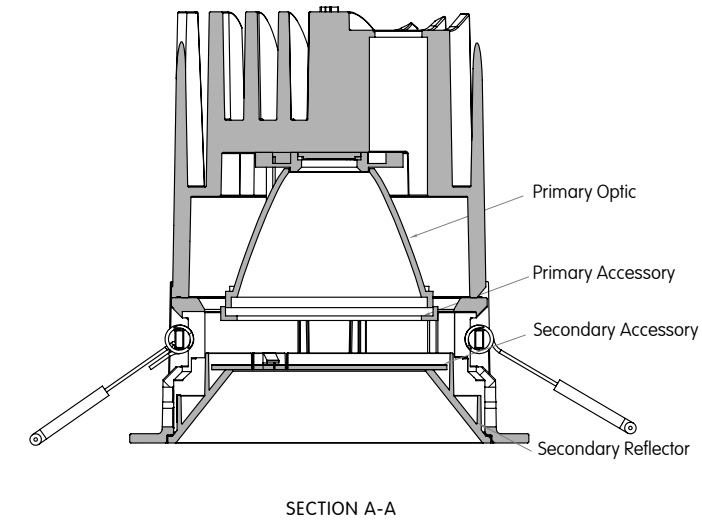
**MILLWORK**



**DELIVERED LUMEN OUTPUT**

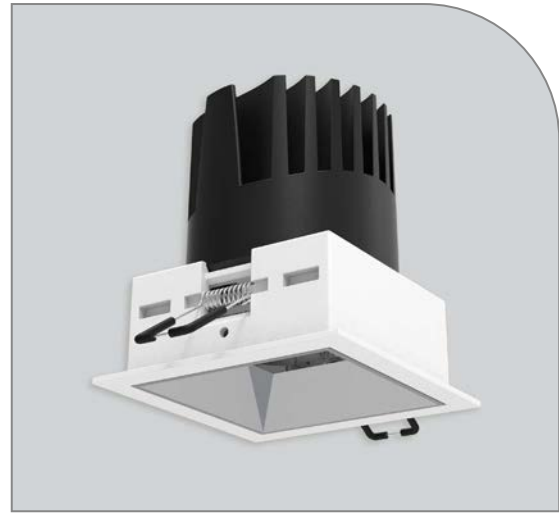
Output	Watts	CRI +90			
<b>STATIC-WHITE</b>		<b>2700K</b>	<b>3000K</b>	<b>4000K</b>	
L	9W	816 lm	850 lm	870 lm	
M	11W	1022 lm	1050 lm	1071 lm	
H	13W	1207 lm	1250 lm	1264 lm	
<b>DIM-TO-WARM 3000K-1800K</b>		<b>3000K</b>			
D	8W	565 lm			
W	12W	800 lm			
<b>TUNABLE WHITE 2700K-6500K</b>		<b>2700K</b>	<b>6500K</b>		
U	8W	650 lm	1010 lm		
A	12W	1225 lm	1440 lm		
<b>RGBW</b>		<b>R</b>	<b>G</b>	<b>B</b>	<b>W</b>
L	2W	50 lm	240 lml	50 lm	180 lm
C	8W				

**ACCESSORIES SCHEMATIC**



# CHAMELEON S3"

## Fixed



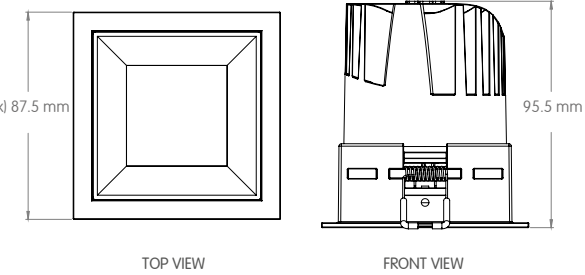
- Up to 890lm delivered output
- Trim, trimless and millwork mounting options
- High CRI, up to +97 CRI, available upon request
- Dim-to-Warm capability 3000K to 1800K
- Tunable White capability 2700K to 5000K
- Wide Range of optical options
- 5 years limited warranty
- Chicago plenum rated

\* Downlight is inherently IC rated per ETL testing to UL1598 standard and can be installed without a housing when specified with Standard Output (11 Watts). LED driver current is factory set at 260mA.

### HOUSING SPECS

Code example: **C3-L10R9**

Series	Power/Output	Voltage	Control	Housing	Emergency
<b>C3</b>	<b>L<sup>1</sup></b> 9W (850lm)	<b>1</b> 120V	<b>0</b> Non-Dim	<b>R</b> Remodel	<b>N</b> No
	<b>M<sup>1</sup></b> 11W (1050lm)	<b>U</b> Universal 120V to 277V	<b>1</b> 0-10 to 1%	<b>N</b> Non-IC	<b>9</b> 90 mins
	<b>H<sup>1</sup></b> 13W (1250lm)		<b>2</b> 0-10 fade-off	<b>I<sup>5</sup></b> IC	
	<b>D<sup>2</sup></b> 8W (565lm)		<b>D</b> Dali	<b>A<sup>5</sup></b> Airtight	
	<b>W<sup>2</sup></b> 12W (800lm)		<b>P</b> Phase ELV & Triac	<b>O</b> No Housing	
	<b>U<sup>3</sup></b> 8W (1010lm)		<b>L</b> Lutron		
	<b>A<sup>3</sup></b> 12W (1440lm)		<b>X</b> DMX		
	<b>C<sup>4</sup></b> 8W (180lm)				



### MODULE SPECS

The Module should have the same Power as the Housing

Code example: **C3-LS0-FW-WW-S927-0-N**

P/O	Mounting	Trim Color	Ref. Color	IP Rating	Optics Type	LED CRI	LED CCT	Accessories (Primary)	Accessories (Secondary)
<b>C3</b>	<b>S0</b> Square Trimless	<b>F</b> <b>W</b> White	<b>W</b> Flat White	<b>D</b> Dry	<b>S</b> 10°	<b>9</b> 90	<b>27</b> 2700K	<b>O</b> No Accessories	<b>N</b> No Accessories
	<b>S1</b> Square Trim	<b>B</b> Black	<b>B</b> Flat Black	<b>W</b> Wet	<b>M</b> 25°	<b>H</b> Thrive	<b>30</b> 3000K	<b>C</b> Clear Lens	<b>T</b> Clear Lens
	<b>S2</b> Square Trim with Constant Force Spring	<b>S</b> Grey	<b>N</b> Black Nickel		<b>F</b> 35°		<b>35</b> 3500K	<b>D<sup>7</sup></b> Diffuse lens	<b>L</b> Diffuse lens
	<b>S3</b> Square Millwork	<b>X</b> Custom	<b>C</b> Specular Chrome		<b>W</b> 50°		<b>40</b> 4000K	<b>E<sup>8</sup></b> Elliptical Lens	<b>F</b> Solite Lens
			<b>D</b> Diffuse Chrome				<b>WD</b> 3000K - 1800K	<b>H</b> Honeycomb Lens	
			<b>G</b> Bright Gold				<b>TW<sup>6</sup></b> 2700K - 5000K	<b>S</b> Solite Lens	
			<b>E</b> Diffuse Gold				<b>CC</b> RGBW	<b>M</b> Mixing	

For more info about the placement of the accessories, please consult the schematic on P4

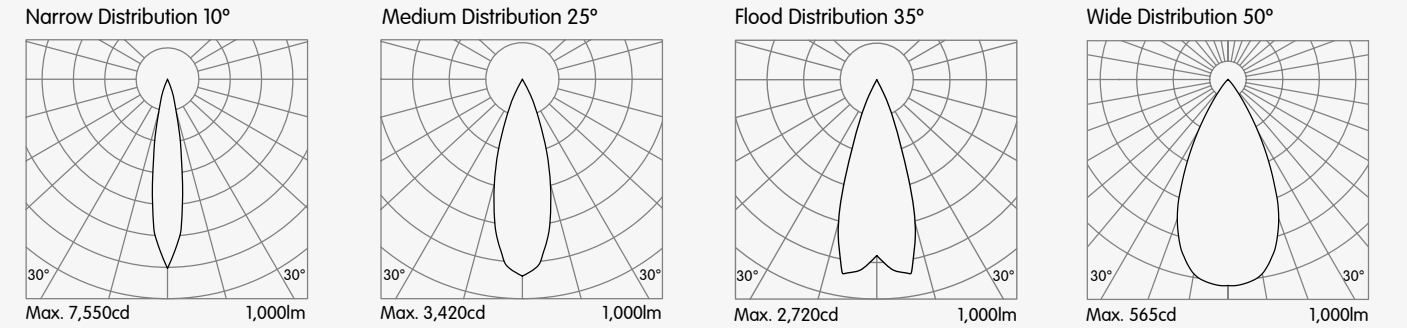
### Notes:

- <sup>1</sup> Denotes output at 3000K, unless otherwise noted.
- <sup>2</sup> Denotes output specific to Dim-to-Warm at 3000K.
- <sup>3</sup> Denotes output specific to Tunable White at full on.
- <sup>4</sup> Denotes output at White, 3000K.
- <sup>5</sup> Chicago Plenum rated.
- <sup>6</sup> Tunable White available in 0-10V, DMX and DALI.
- <sup>7</sup> Diffuse lenses available in different angles.
- <sup>8</sup> Elliptical lenses available in different angles.

Consult factory for lead-times. Bold Lighting reserves the right to make technical changes without notice.

## OPTICAL FLEXIBILITY

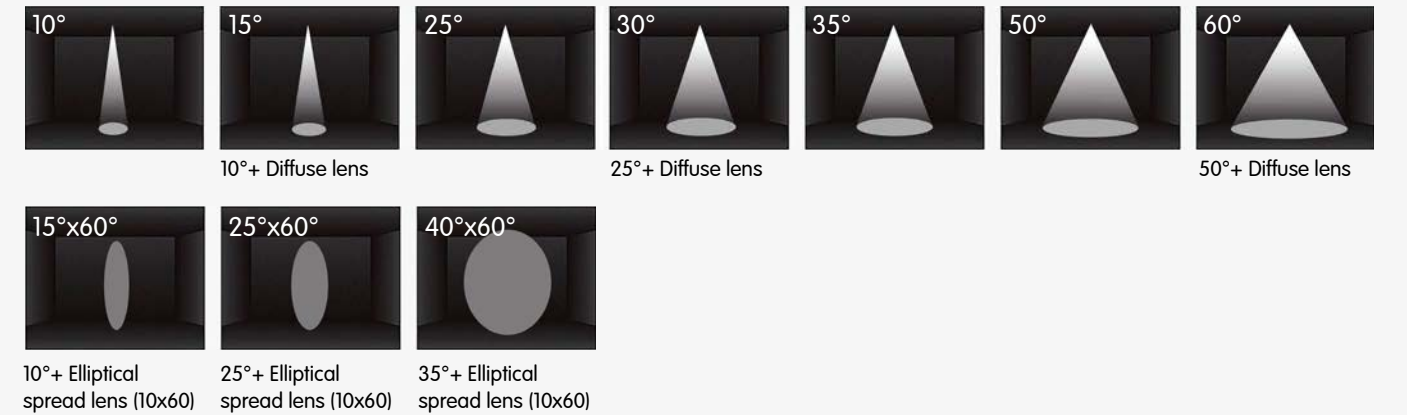
### Photometric data: Type C Polar Curves



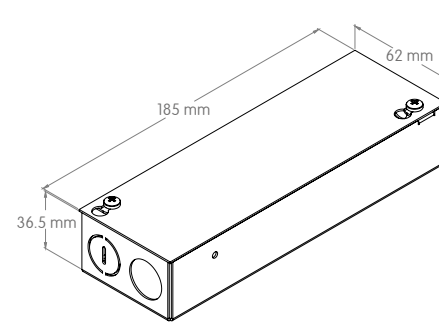
### Notes:

Other beam distribution available on demand. Please consult factory.

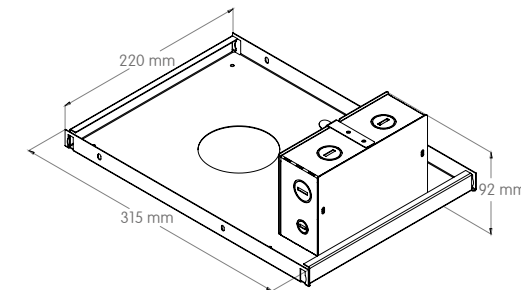
### Beam distribution and combination



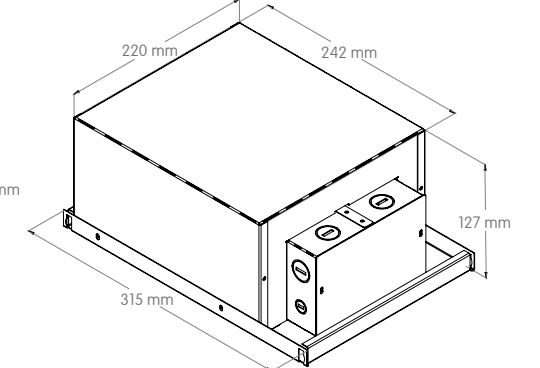
### REMODEL HOUSING



### NON-IC HOUSING

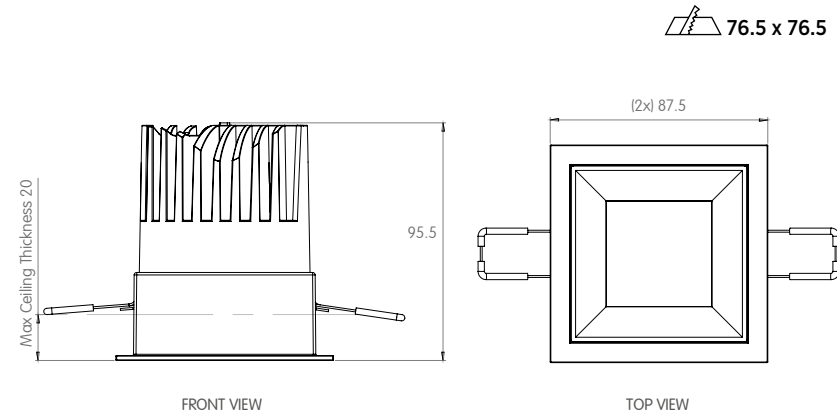


### IC HOUSING & AIRTIGHT

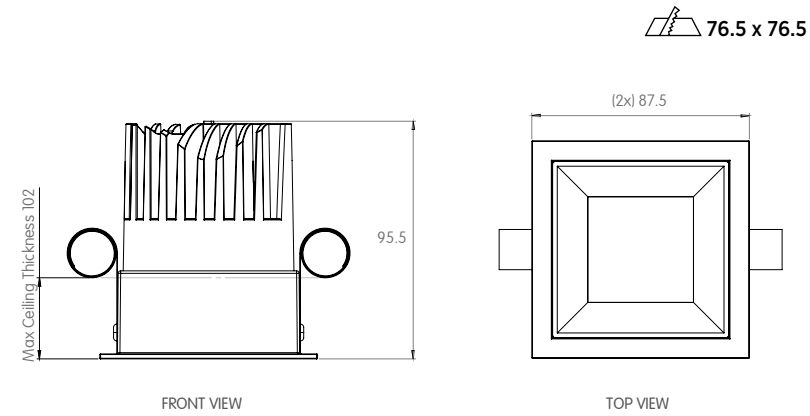


**MOUNTING FLEXIBILITY**  
Per Millimeter

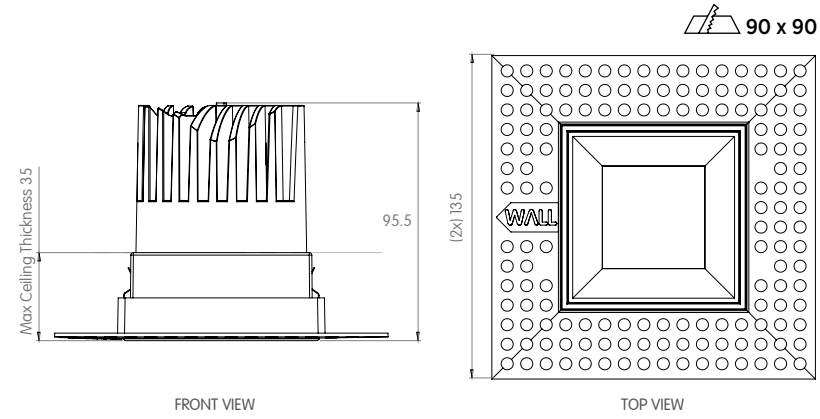
**TRIM TORSION SPRINGS**



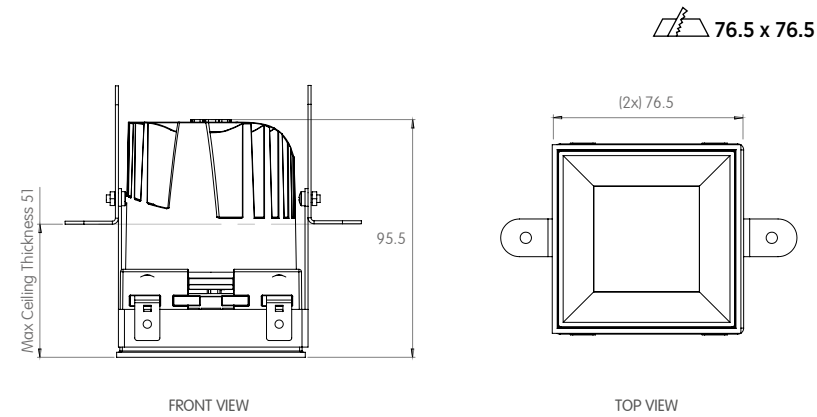
**TRIM CONSTANT FORCE SPRINGS**



**TRIMLESS**



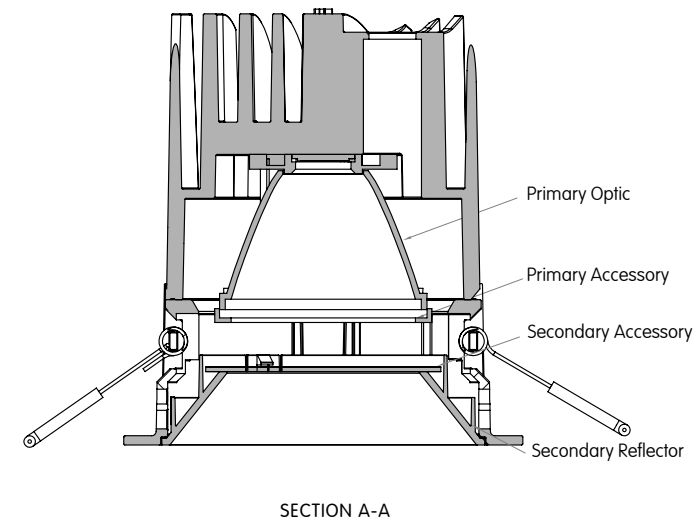
**MILLWORK**



**DELIVERED LUMEN OUTPUT**

Output		Watts				CRI +90					
<b>STATIC-WHITE</b>				<b>2700K</b>	<b>3000K</b>			<b>4000K</b>			
<b>L</b>	9W			816 lm	850 lm			870 lm			
<b>M</b>	11W			1022 lm	1050 lm			1071 lm			
<b>H</b>	13W			1207 lm	1250 lm			1264 lm			
<b>DIM-TO-WARM</b>				<b>3000K</b>							
<b>D</b>	8W			565 lm							
<b>W</b>	12W			800 lm							
<b>TUNABLE WHITE</b>				<b>2700K</b>			<b>6500K</b>				
<b>U</b>	8W			650 lm			1010 lm				
<b>A</b>	12W			1225 lm			1440 lm				
<b>RGBW</b>				<b>R</b>	<b>G</b>	<b>B</b>	<b>W</b>				
<b>L</b>	2W			50 lm	240 lml	50 lm	180 lm				
<b>C</b>	8W										

**ACCESSORIES SCHEMATIC**



# CHAMELEON R3"

## Shallow Fixed



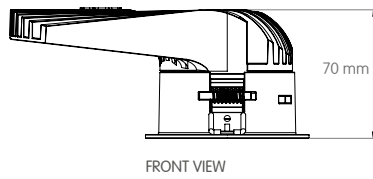
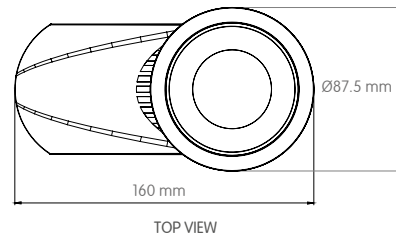
- Up to 890lm delivered output
- Trim mounting option
- High CRI, up to +97 CRI, available upon request
- Dim-to-Warm capability 3000K to 1800K
- Tunable White capability 2700K to 5000K
- Wide Range of optical options
- 5 years limited warranty
- Chicago plenum rated

\* Downlight is inherently IC rated per ETL testing to UL1598 standard and can be installed without a housing when specified with Standard Output (11 Watts). LED driver current is factory set at 260mA.

### HOUSING SPECS

Code example: **C3-L10R9**

Series	Power/Output	Voltage	Control	Housing	Emergency
<b>C3</b>	<b>L<sup>1</sup></b> 9W (702lm)	<b>1</b> 120V	<b>0</b> Non-Dim	<b>R</b> Remodel	<b>N</b> No
	<b>M<sup>1</sup></b> 11W (858lm)	<b>U</b> Universal 120V to 277V	<b>1</b> 0-10 to 1%	<b>N</b> Non-IC	<b>9</b> 90 mins
	<b>H<sup>1</sup></b> 13W (1014lm)		<b>2</b> 0-10 fade-off	<b>I<sup>5</sup></b> IC	
	<b>D<sup>2</sup></b> 8W (540lm)		<b>D</b> Dali	<b>A<sup>5</sup></b> Airtight	
	<b>W<sup>2</sup></b> 12W (810lm)		<b>P</b> Phase ELV & Triac	<b>0</b> No Housing	
	<b>U<sup>3</sup></b> 8W (560lm)		<b>L</b> Lutron		
	<b>A<sup>3</sup></b> 12W (795lm)		<b>X</b> DMX		
	<b>C<sup>4</sup></b> 8W (140lm)				



### MODULE SPECS

The Module should have the same Power as the Housing

Code example: **C3-LR2-SWP-WW-S927-0**

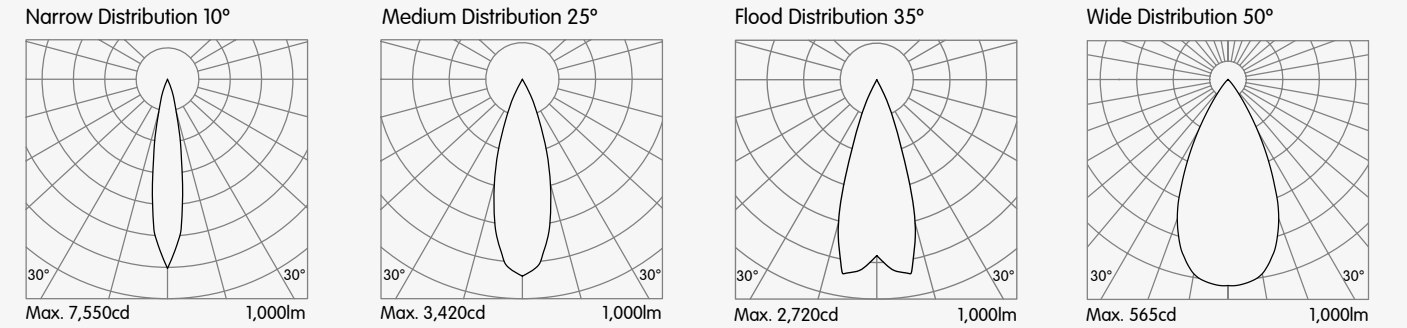
P/O	Mounting	Trim Color	Ref. Style	Ref. Color	IP Rating	Optics Type	LED CRI	LED CCT	Accessories	
<b>C3</b> Refer to Housing Output	<b>R1</b> Round Trim	<b>S</b>	<b>W</b> White	<b>B</b> Beveled	<b>W</b> Flat White	<b>D</b> Dry	<b>S</b> 10°	<b>9</b> 90	<b>27</b> 2700K	<b>0</b> No Accessories
			<b>B</b> Black	<b>P</b> Pinhole	<b>B</b> Flat Black	<b>W</b> Wet	<b>M</b> 25°	<b>H</b> Thrive	<b>30</b> 3000K	<b>C</b> Clear Lens
	<b>R2</b> Round Trim with Constant Force Spring	<b>S</b> Grey	<b>N</b> Black Nickel		<b>N</b> Black Nickel		<b>F</b> 35°		<b>35</b> 3500K	<b>D<sup>7</sup></b> Diffuse lens
			<b>X</b>		<b>C</b> Specular Chrome		<b>W</b> 50°		<b>40</b> 4000K	<b>E<sup>8</sup></b> Elliptical Lens
					<b>D</b> Diffuse Chrome				<b>WD<sup>6</sup></b> 3000K - 1800K	<b>H</b> Honeycomb Lens
					<b>G</b> Bright Gold				<b>TW<sup>6</sup></b> 2700K - 5000K	<b>S</b> Solite Lens
					<b>E</b> Diffuse Gold				<b>CC</b> RGBW	<b>M</b> Mixing

#### Notes:

- <sup>1</sup> Denotes output at 3000K, unless otherwise noted.
  - <sup>2</sup> Denotes output specific to Dim-to-Warm at 3000K.
  - <sup>3</sup> Denotes output specific to Tunable White at full on.
  - <sup>4</sup> Denotes output at White, 3000K.
  - <sup>5</sup> Chicago Plenum rated.
  - <sup>6</sup> Tunable White available in 0-10V, DMX and DALI.
  - <sup>7</sup> Diffuse lenses available in different angles.
  - <sup>8</sup> Elliptical lenses available in different angles.
- Consult factory for lead-times.  
Bold Lighting reserves the right to make technical changes without notice.

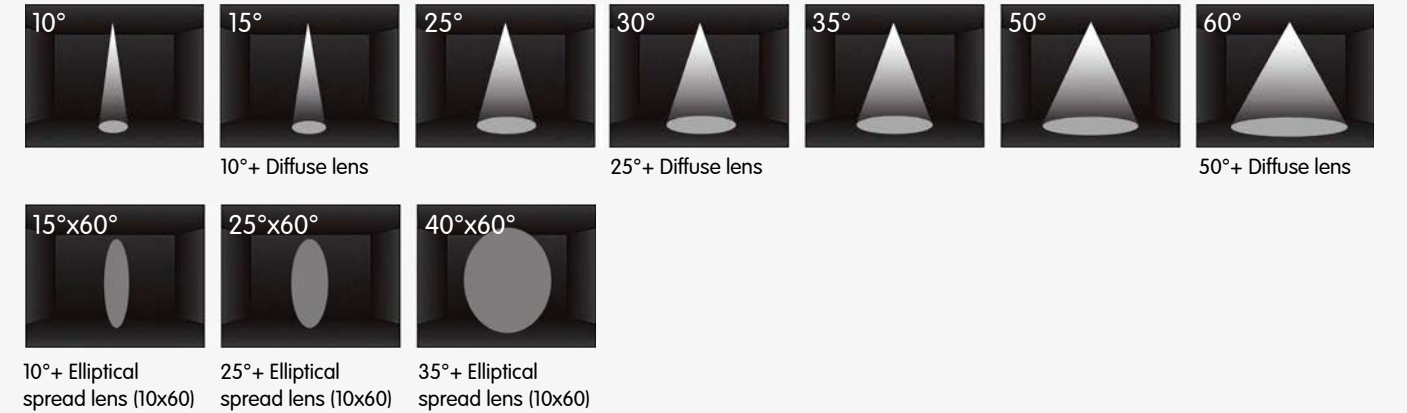
### OPTICAL FLEXIBILITY

#### Photometric data: Type C Polar Curves

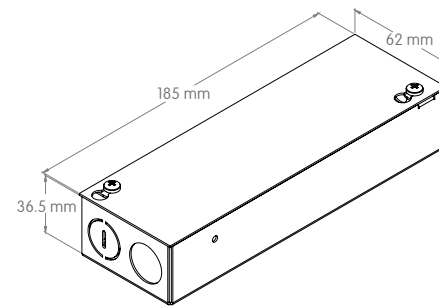


Notes:  
Other beam distribution available on demand. Please consult factory.

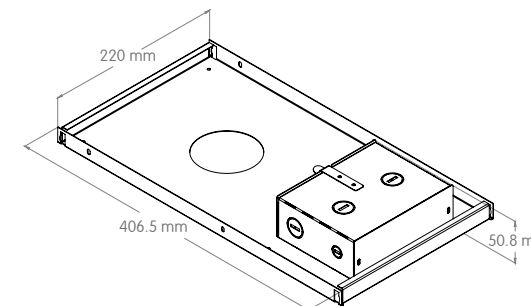
#### Beam distribution and combination



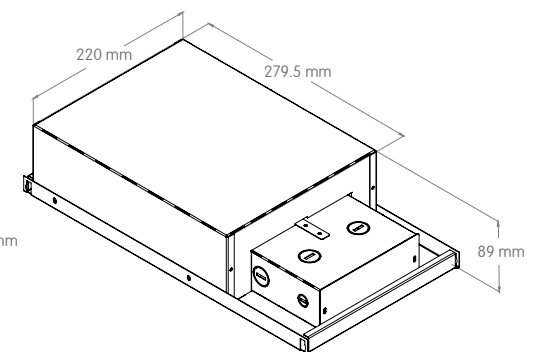
#### REMODEL HOUSING



#### NON-IC HOUSING

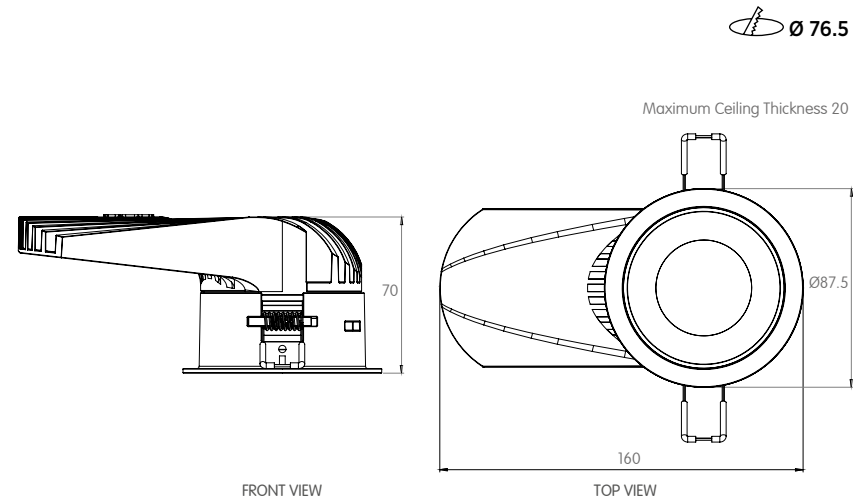


#### IC HOUSING & AIRTIGHT

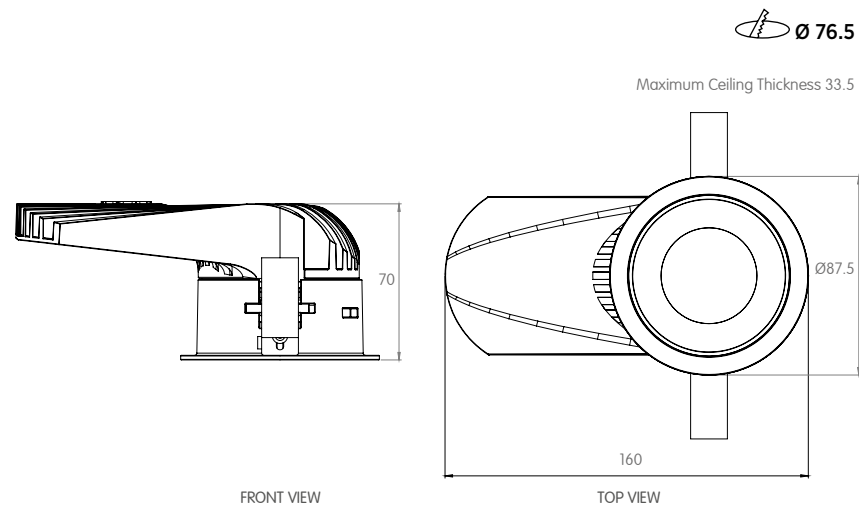


**MOUNTING FLEXIBILITY**  
Per Millimeter

**TRIM TORSION SPRINGS**



**TRIM CONSTANT FORCE SPRINGS**



**DELIVERED LUMEN OUTPUT**

Output	Watts	CRI +90			
<b>STATIC-WHITE</b>		<b>2700K</b>	<b>3000K</b>	<b>4000K</b>	
L	9W	656 lm	702 lm	839 lm	
M	11W	808 lm	858 lm	1113 lm	
H	13W	964 lm	1014 lm	1271 lm	
<b>DIM-TO-WARM 3000K-1800K</b>		<b>3000K</b>			
D	8W			540 lm	
W	12W			810 lm	
<b>TUNABLE WHITE 2700K-6500K</b>		<b>2700K</b>			<b>6500K</b>
U	8W	470 lm			560 lm
A	12W	675 lm			795 lm
<b>RGBW</b>		<b>R</b>	<b>G</b>	<b>B</b>	<b>W</b>
L	2W	35 lm	185 lm	35 lm	140 lm
C	8W				

# CHAMELEON S3"

## Shallow Fixed



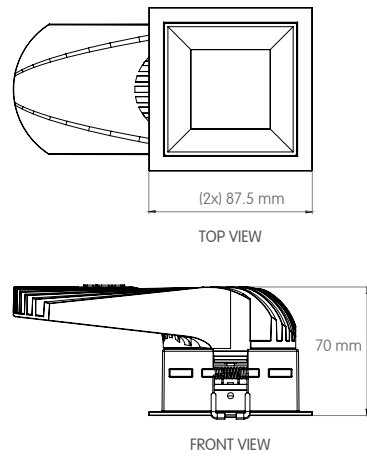
- Up to 890lm delivered output
- Trim mounting option
- High CRI, up to +97 CRI, available upon request
- Dim-to-Warm capability 3000K to 1800K
- Tunable White capability 2700K to 5000K
- Wide Range of optical options
- 5 years limited warranty
- Chicago plenum rated

\* Downlight is inherently IC rated per ETL testing to UL1598 standard and can be installed without a housing when specified with Standard Output (11 Watts). LED driver current is factory set at 260mA.

### HOUSING SPECS

Code example: **C3-L10R9**

Series	Power/Output	Voltage	Control	Housing	Emergency
<b>C3</b>	<b>L<sup>1</sup></b> 9W (702lm)	<b>1</b> 120V	<b>0</b> Non-Dim	<b>R</b> Remodel	<b>N</b> No
	<b>M<sup>2</sup></b> 11W (858lm)	<b>U</b> Universal 120V to 277V	<b>1</b> 0-10 to 1%	<b>N</b> Non-IC	<b>9</b> 90 mins
	<b>H<sup>3</sup></b> 13W (1014lm)		<b>2</b> 0-10 fade-off	<b>I<sup>5</sup></b> IC	
	<b>D<sup>2</sup></b> 8W (540lm)		<b>D</b> Dali	<b>A<sup>5</sup></b> Airtight	
	<b>W<sup>2</sup></b> 12W (810lm)		<b>P</b> Phase ELV & Triac	<b>0</b> No Housing	
	<b>U<sup>3</sup></b> 8W (560lm)		<b>L</b> Lutron		
	<b>A<sup>3</sup></b> 12W (795lm)		<b>X</b> DMX		
	<b>C<sup>4</sup></b> 8W (140lm)				



### MODULE SPECS

The Module should have the same Power as the Housing

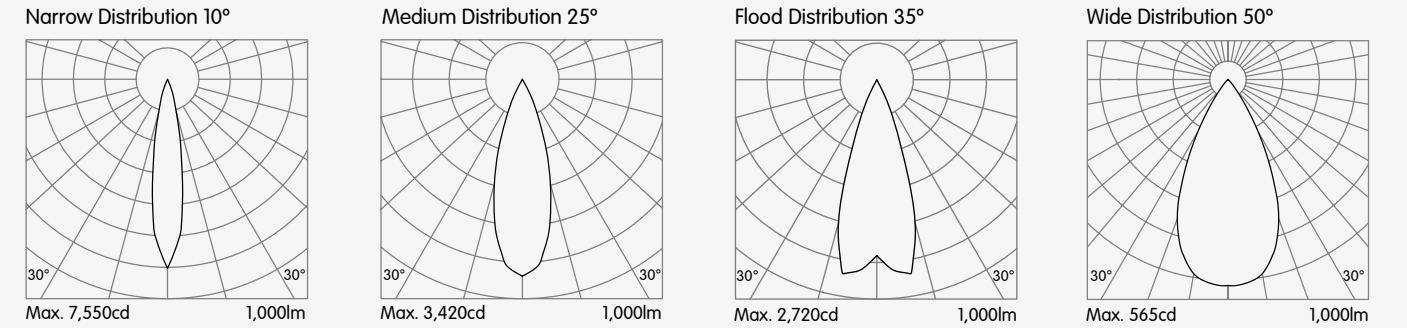
Code example: **C3-LS2-SW-WW-S927-0**

P/O	Mounting	Trim Color	Ref. Color	IP Rating	Optics Type	LED CRI	LED CCT	Accessories	
<b>C3</b>	<b>S1</b> Square Trim	<b>S</b>	<b>W</b> White	<b>W</b> Flat White	<b>D</b> Dry	<b>S</b> 10°	<b>9</b> 90	<b>27</b> 2700K	<b>0</b> No Accessories
			<b>B</b> Black	<b>B</b> Flat Black					<b>W</b> Wet
	<b>S2</b> Square Trim with Constant Force Spring	<b>S</b>	<b>S</b> Grey	<b>N</b> Black Nickel	<b>F</b> 35°	<b>W</b> 50°			<b>D<sup>7</sup></b> Diffuse lens
			<b>X</b> Custom	<b>C</b> Specular Chrome					<b>H</b> Honeycomb Lens
			<b>D</b> Diffuse Chrome	<b>G</b> Bright Gold	<b>E</b> Diffuse Gold			<b>S</b> Solite Lens	
			<b>G</b> Bright Gold					<b>E</b> Diffuse Gold	
			<b>E</b> Diffuse Gold						

Notes:  
<sup>1</sup> Denotes output at 3000K, unless otherwise noted.  
<sup>2</sup> Denotes output specific to Dim-to-Warm at 3000K.  
<sup>3</sup> Denotes output specific to Tunable White at full on.  
<sup>4</sup> Denotes output at White, 3000K.  
<sup>5</sup> Not applicable for ELV dimming.  
<sup>6</sup> Tunable White available in 0-10V, DMX and DALI.  
<sup>7</sup> Diffuse lenses available in different angles.  
<sup>8</sup> Elliptical lenses available in different angles.  
 Consult factory for lead-times.  
 Bold Lighting reserves the right to make technical changes without notice.

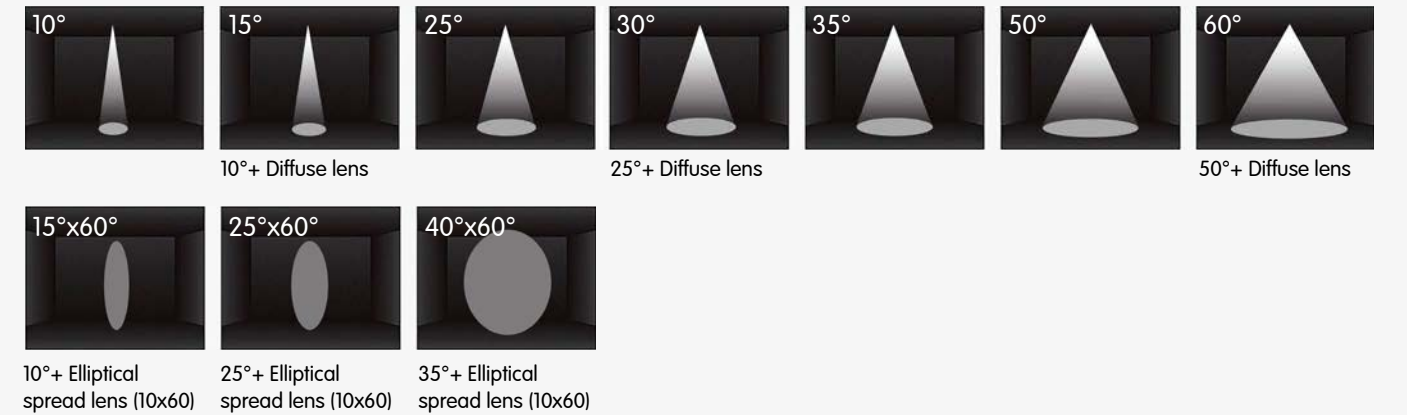
### OPTICAL FLEXIBILITY

#### Photometric data: Type C Polar Curves

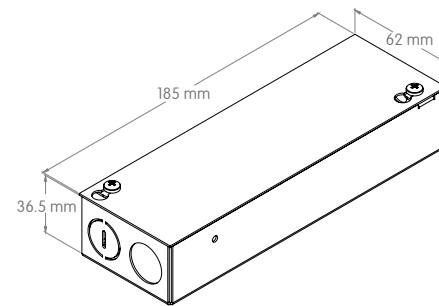


Notes:  
Other beam distribution available on demand. Please consult factory.

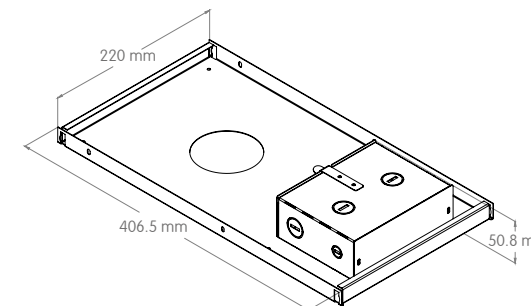
#### Beam distribution and combination



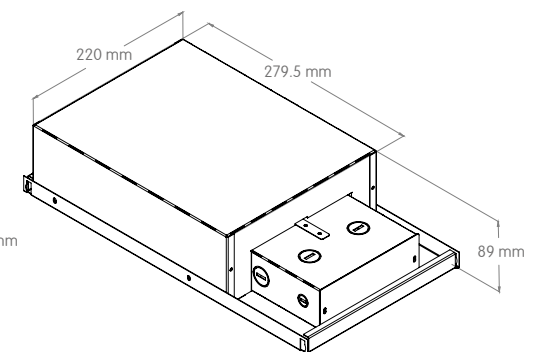
#### REMODEL HOUSING



#### NON-IC HOUSING

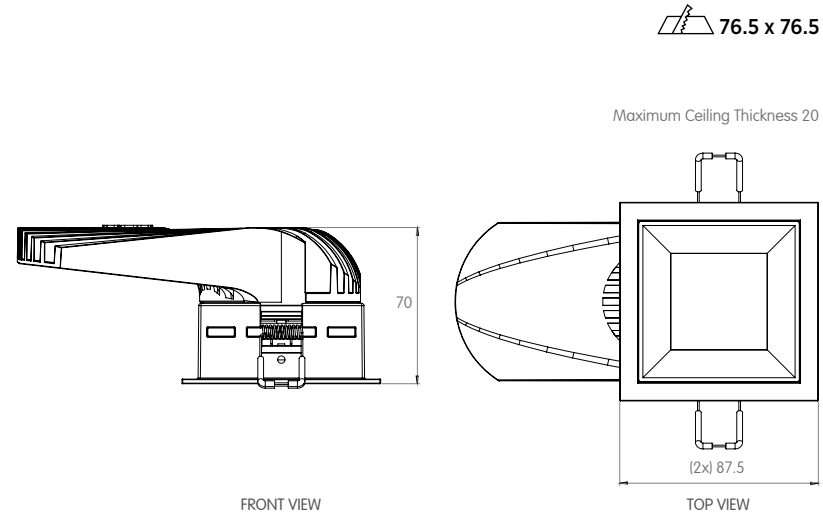


#### IC HOUSING & AIRTIGHT

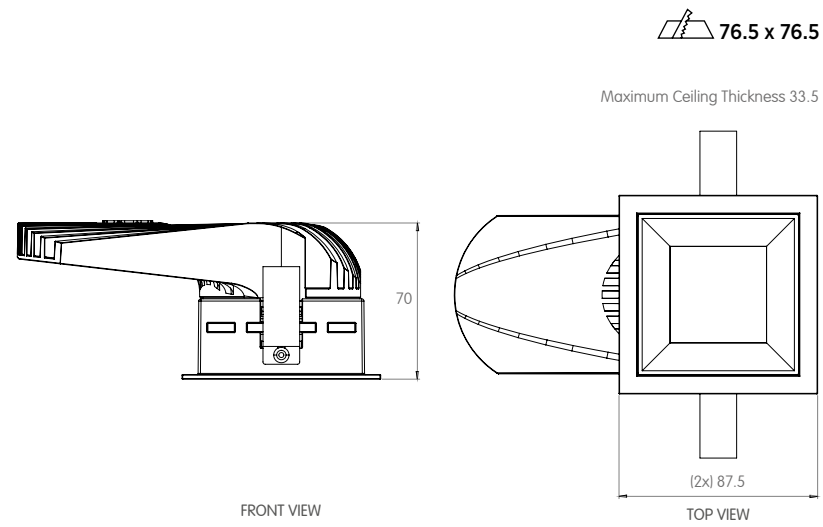


**MOUNTING FLEXIBILITY**  
Per Millimeter

**TRIM TORSION SPRINGS**



**TRIM CONSTANT FORCE SPRINGS**



**DELIVERED LUMEN OUTPUT**

Output	Watts	CRI +90			
<b>STATIC-WHITE</b>		<b>2700K</b>	<b>3000K</b>	<b>4000K</b>	
L	9W	656 lm	702 lm	839 lm	
M	11W	808 lm	858 lm	1113 lm	
H	13W	964 lm	1014 lm	1271 lm	
<b>DIM-TO-WARM 3000K-1800K</b>		<b>3000K</b>			
D	8W	540 lm			
W	12W	810 lm			
<b>TUNABLE WHITE 2700K-6500K</b>		<b>2700K</b>			<b>6500K</b>
U	8W	470 lm			560 lm
A	12W	675 lm			795 lm
<b>RGBW</b>		<b>R</b>	<b>G</b>	<b>B</b>	<b>W</b>
L	2W	35 lm	185 lm	35 lm	140 lm
C	8W				

# CHAMELEON R3"

## Adjustable

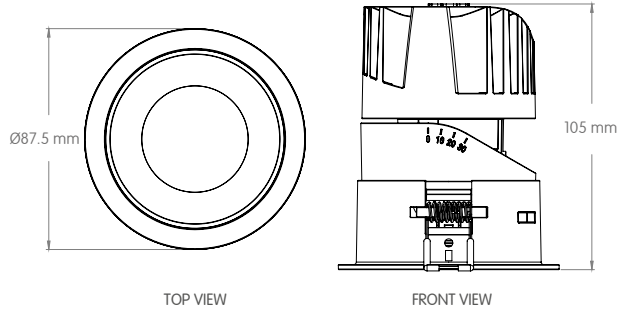


- Up to 890lm delivered output
- Trim, trimless and millwork mounting options
- High CRI, up to +97 CRI, available upon request
- Dim-to-Warm capability 3000K to 1800K
- Tunable White capability 2700K to 5000K
- Gear driven tilt 0° to 30° and 360° lockable rotation
- Standard 10°, 25°, 35°, 50° in addition to various beams available upon request
- 5 years limited warranty
- Chicago plenum rated

### HOUSING SPECS

Code example: **C3-L10R9**

Series	Power/Output	Voltage	Control	Housing	Emergency
<b>C3</b>	<b>L<sup>1</sup></b> 9W (702lm)	<b>1</b> 120V	<b>0</b> Non-Dim	<b>R</b> Remodel	<b>N</b> No
	<b>M<sup>1</sup></b> 11W (858lm)	<b>U</b> Universal 120V to 277V	<b>1</b> 0-10 to 1%	<b>N</b> Non-IC	<b>9</b> 90 mins
	<b>H<sup>1</sup></b> 13W (1014lm)		<b>2</b> 0-10 fade-off	<b>I<sup>5</sup></b> IC	
	<b>D<sup>2</sup></b> 8W (540lm)		<b>D</b> Dali	<b>A<sup>5</sup></b> Airtight	
	<b>W<sup>2</sup></b> 12W (810lm)		<b>P</b> Phase ELV & Triac	<b>0</b> No Housing	
	<b>U<sup>3</sup></b> 8W (560lm)		<b>L</b> Lutron		
	<b>A<sup>3</sup></b> 12W (795lm)		<b>X</b> DMX		
	<b>C<sup>4</sup></b> 8W (140lm)				



### MODULE SPECS

The Module should have the same Power as the Housing

Code example: **C3-LR0-AW-WW-S927-0-N**

P/O	Mounting	Trim Color	Ref. Color	IP Rating	Optics Type	LED CRI	LED CCT	Accessories (Primary)	Accessories (Secondary)
<b>C3</b>	<b>R0</b> Round Trimless	<b>A</b> <b>W</b> White	<b>W</b> Flat White	<b>D</b> Dry	<b>S</b> 10°	<b>9</b> 90	<b>27</b> 2700K	<b>0</b> No Accessories	<b>N</b> No Accessories
	<b>R1</b> Round Trim	<b>B</b> Black	<b>B</b> Flat Black	<b>W</b> Wet	<b>M</b> 25°	<b>H</b> Thrive	<b>30</b> 3000K	<b>C</b> Clear Lens	<b>T</b> Clear Lens
	<b>R2</b> Round Trim with Constant Force Spring	<b>S</b> Grey	<b>N</b> Black Nickel		<b>F</b> 35°		<b>35</b> 3500K	<b>D<sup>7</sup></b> Diffuse lens	<b>L</b> Diffuse lens
	<b>R3</b> Round Millwork	<b>X</b> Custom	<b>C</b> Specular Chrome		<b>W</b> 50°		<b>40</b> 4000K	<b>E<sup>8</sup></b> Elliptical Lens	<b>F</b> Solite Lens
			<b>D</b> Diffuse Chrome				<b>WD</b> 3000K - 1800K	<b>H</b> Honeycomb Lens	
			<b>G</b> Bright Gold				<b>TW<sup>6</sup></b> 2700K - 5000K	<b>S</b> Solite Lens	
			<b>E</b> Diffuse Gold				<b>CC</b> RGBW	<b>M</b> Mixing	

For other beam option, refer to P2

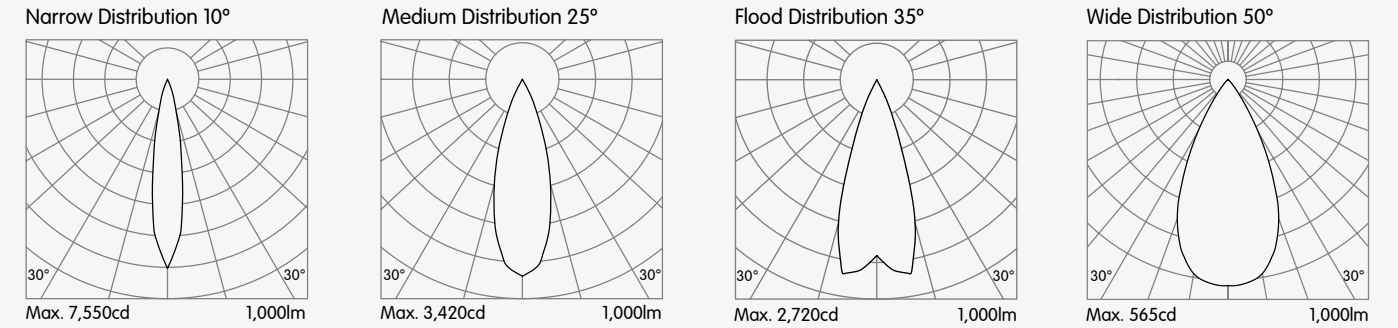
For more info about the placement of the accessories, please consult the schematic on P4

#### Notes:

- Denotes output at 3000K, unless otherwise noted.
  - Denotes output specific to Dim-to-Warm at 3000K.
  - Denotes output specific to Tunable White at full on.
  - Denotes output at White, 3000K.
  - Chicago Plenum rated.
  - Tunable White available in 0-10V, DMX and DALI.
  - Diffuse lenses available in different angles.
  - Elliptical lenses available in different angles.
- Consult factory for lead-times.  
Bold Lighting reserves the right to make technical changes without notice.

### OPTICAL FLEXIBILITY

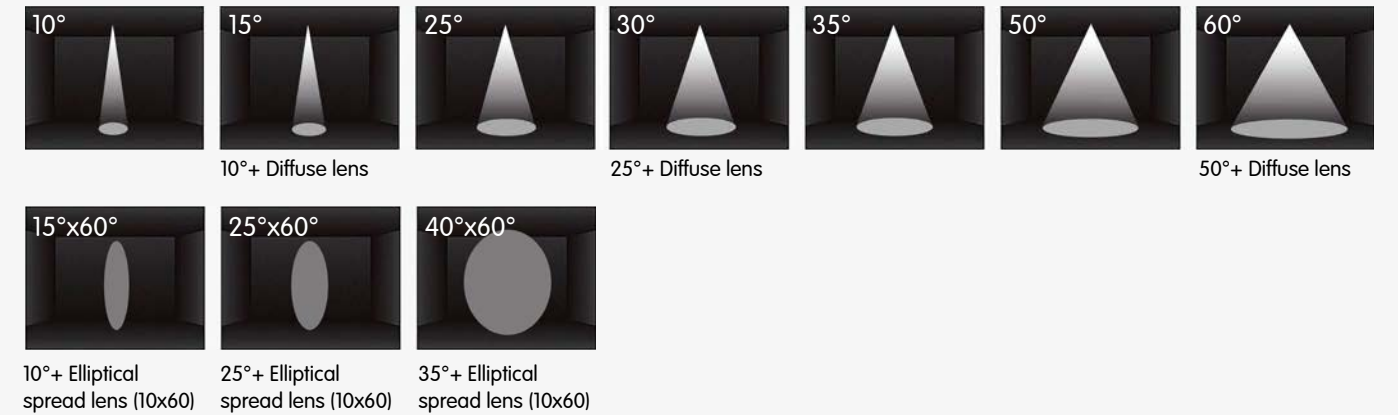
#### Photometric data: Type C Polar Curves



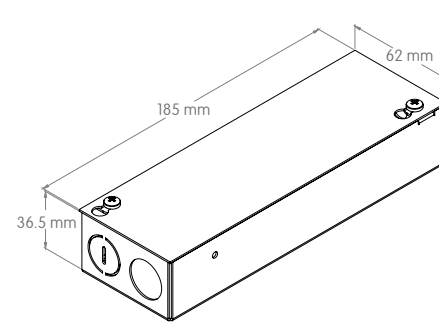
#### Notes:

Other beam distribution available on demand. Please consult factory.

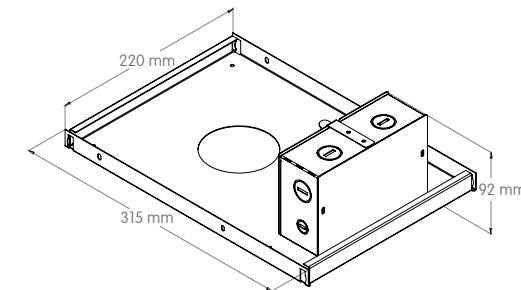
#### Beam distribution and combination



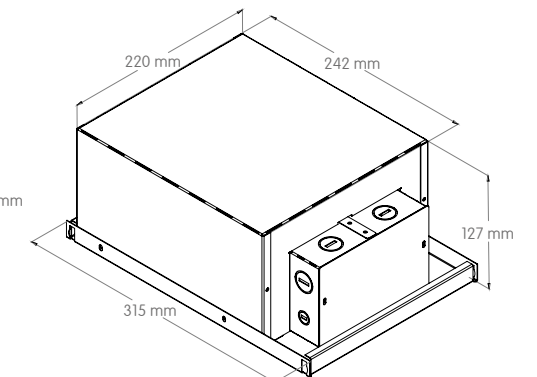
#### REMODEL HOUSING



#### NON-IC HOUSING

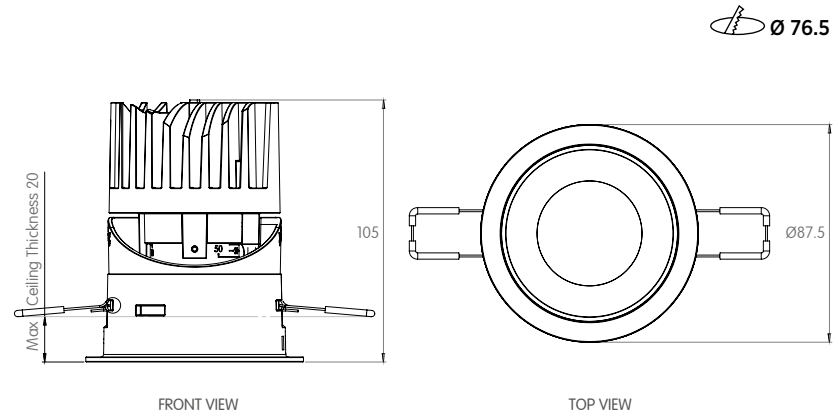


#### IC HOUSING & AIRTIGHT

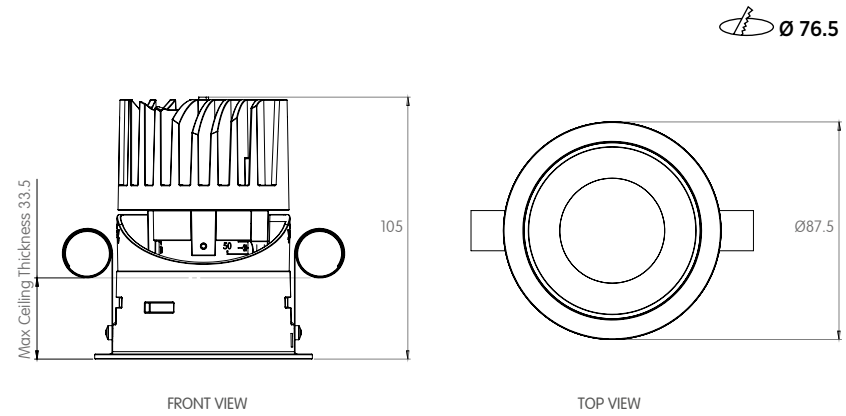


**MOUNTING FLEXIBILITY**  
Per Millimeter

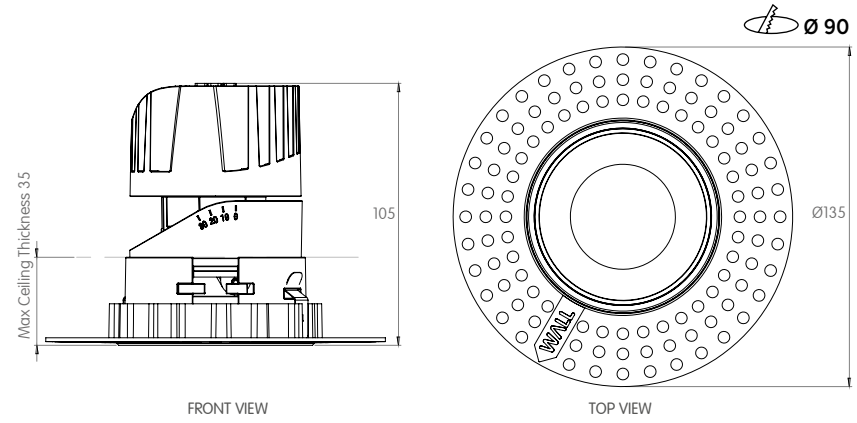
**TRIM TORSION SPRINGS**



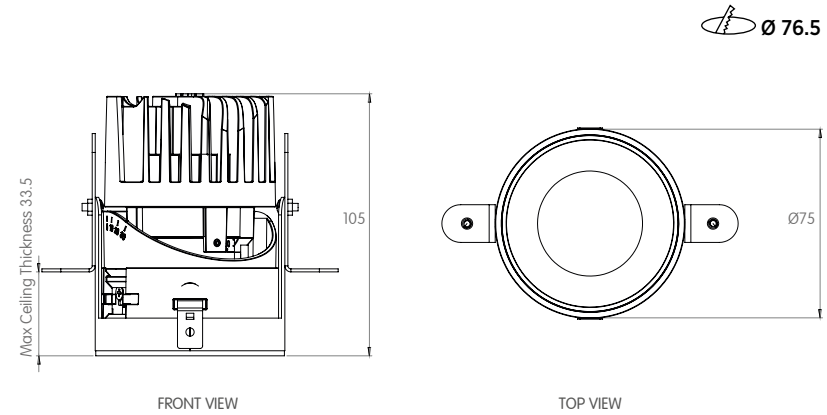
**TRIM CONSTANT FORCE SPRINGS**



**TRIMLESS**



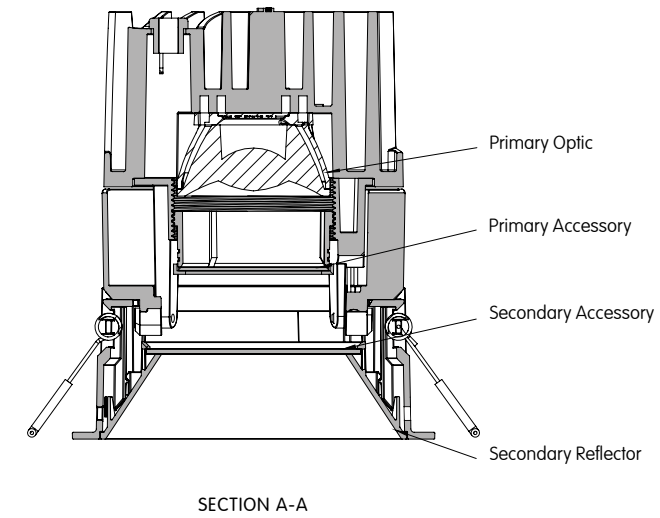
**MILLWORK**



**DELIVERED LUMEN OUTPUT**

Output	Watts	CRI +90			
<b>STATIC-WHITE</b>		<b>2700K</b>	<b>3000K</b>	<b>4000K</b>	
L	9W	656 lm	702 lm	839 lm	
M	11W	808 lm	858 lm	1113 lm	
H	13W	964 lm	1014 lm	1271 lm	
<b>DIM-TO-WARM 3000K-1800K</b>		<b>3000K</b>			
D	8W	540 lm			
W	12W	810 lm			
<b>TUNABLE WHITE 2700K-6500K</b>		<b>2700K</b>	<b>6500K</b>		
U	8W	470 lm	560 lm		
A	12W	675 lm	795 lm		
<b>RGBW</b>		<b>R</b>	<b>G</b>	<b>B</b>	<b>W</b>
L	2W	35 lm	185 lm	35 lm	140 lm
C	8W				

**ACCESSORIES SCHEMATIC**





# CHAMELEON S3"

## Adjustable

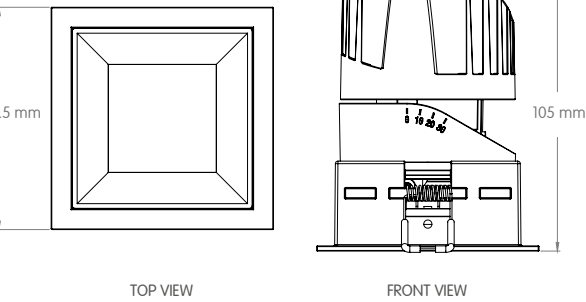


- Up to 890lm delivered output
- Trim, trimless and millwork mounting options
- High CRI, up to +97 CRI, available upon request
- Dim-to-Warm capability 3000K to 1800K
- Tunable White capability 2700K to 5000K
- Gear driven tilt 0° to 30° and 360° lockable rotation
- Standard 10°, 25°, 35°, 50° in addition to various beams available upon request
- 5 years limited warranty
- Chicago plenum rated

### HOUSING SPECS

Code example: **C3-L10R9**

Series	Power/Output	Voltage	Control	Housing	Emergency
<b>C3</b>	<b>L<sup>1</sup></b> 9W (702lm)	<b>1</b> 120V	<b>O</b> Non-Dim	<b>R</b> Remodel	<b>N</b> No
	<b>M<sup>1</sup></b> 11W (858lm)	<b>U</b> Universal 120V to 277V	<b>1</b> 0-10 to 1%	<b>N</b> Non-IC	<b>9</b> 90 mins
	<b>H<sup>1</sup></b> 13W (1014lm)		<b>2</b> 0-10 fade-off	<b>I<sup>5</sup></b> IC	
	<b>D<sup>2</sup></b> 8W (540lm)		<b>D</b> Dali	<b>A<sup>5</sup></b> Airtight	
	<b>W<sup>2</sup></b> 12W (810lm)		<b>P</b> Phase ELV & Triac	<b>O</b> No Housing	
	<b>U<sup>3</sup></b> 8W (560lm)		<b>L</b> Lutron		
	<b>A<sup>3</sup></b> 12W (795lm)		<b>X</b> DMX		
	<b>C<sup>4</sup></b> 8W (140lm)				



### MODULE SPECS

The Module should have the same Power as the Housing

Code example: **C3-LS0-AW-WW-S927-0-N**

P/O	Mounting	Trim Color	Ref. Color	IP Rating	Optics Type	LED CRI	LED CCT	Accessories (Primary)	Accessories (Secondary)
<b>C3</b>	S0 Square Trimless	<b>A</b> White	<b>W</b> Flat White	<b>D</b> Dry	<b>S</b> 10°	<b>9</b> 90	<b>27</b> 2700K	<b>O</b> No Accessories	<b>N</b> No Accessories
	S1 Square Trim	<b>B</b> Black	<b>B</b> Flat Black	<b>W</b> Wet	<b>M</b> 25°	<b>H</b> Thrive	<b>30</b> 3000K	<b>C</b> Clear Lens	<b>T</b> Clear Lens
	S2 Square Trim with Constant Force Spring	<b>S</b> Grey	<b>N</b> Black Nickel		<b>F</b> 35°		<b>35</b> 3500K	<b>D<sup>7</sup></b> Diffuse lens	<b>L</b> Diffuse lens
	S3 Square Millwork	<b>X</b> Custom	<b>C</b> Specular Chrome		<b>W</b> 50°		<b>40</b> 4000K	<b>E<sup>8</sup></b> Elliptical Lens	<b>F</b> Solite Lens
			<b>D</b> Diffuse Chrome				<b>WD</b> 3000K - 1800K	<b>H</b> Honeycomb Lens	
			<b>G</b> Bright Gold				<b>TW<sup>6</sup></b> 2700K - 5000K	<b>S</b> Solite Lens	
			<b>E</b> Diffuse Gold				<b>CC</b> RGBW	<b>M</b> Mixing	

For other beam option, refer to P2

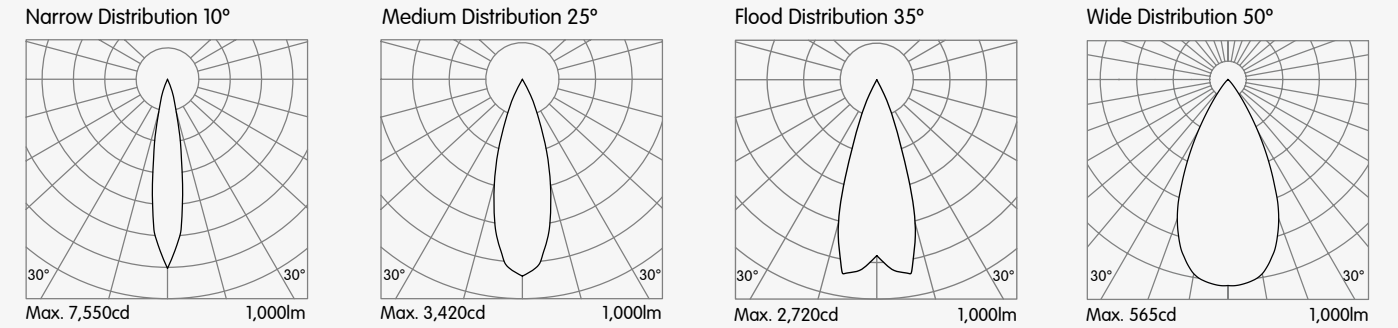
For more info about the placement of the accessories, please consult the schematic on P4

### Notes:

- Denotes output at 3000K, unless otherwise noted.
  - Denotes output specific to Dim-to-Warm at 3000K.
  - Denotes output specific to Tunable White at full on.
  - Denotes output at White, 3000K.
  - Chicago Plenum rated.
  - Tunable White available in 0-10V, DMX and DALI.
  - Diffuse lenses available in different angles.
  - Elliptical lenses available in different angles.
- Consult factory for lead-times. Bold Lighting reserves the right to make technical changes without notice.

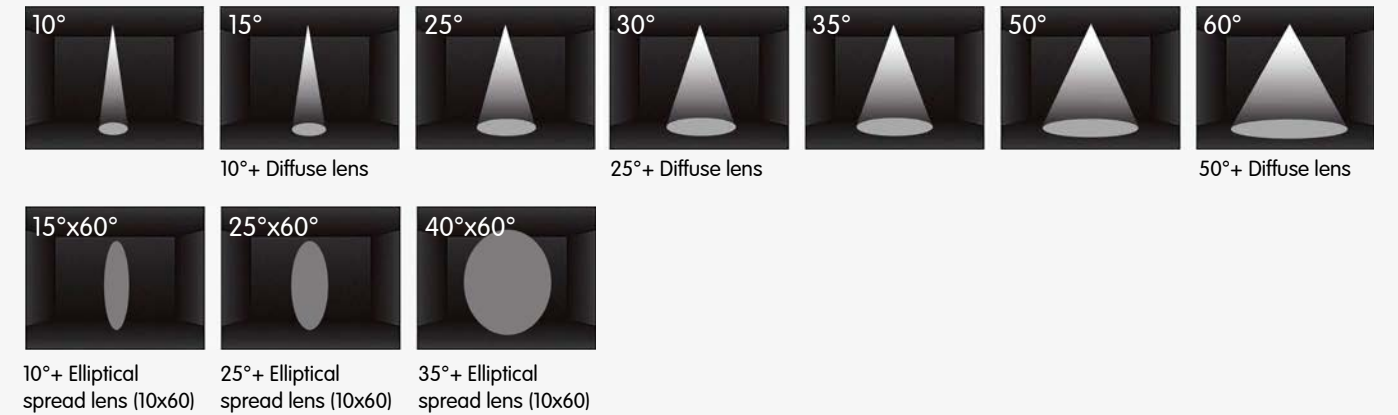
### OPTICAL FLEXIBILITY

#### Photometric data: Type C Polar Curves

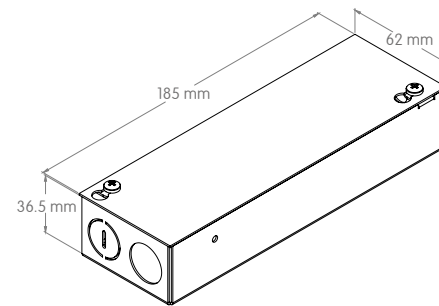


Notes:  
Other beam distribution available on demand. Please consult factory.

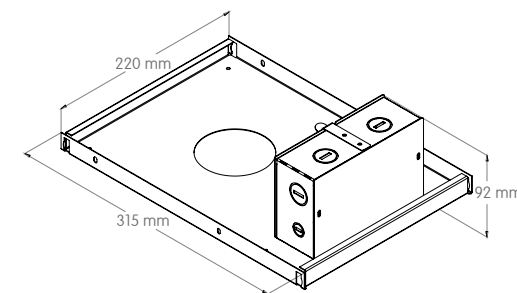
#### Beam distribution and combination



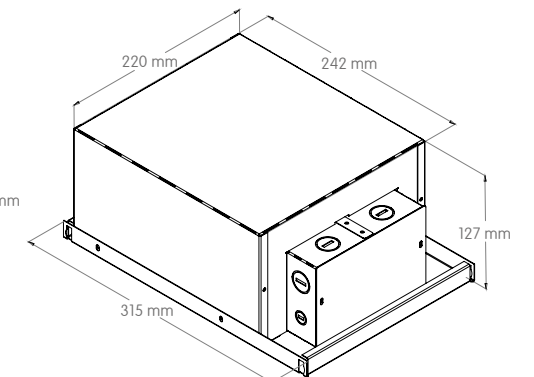
#### REMODEL HOUSING



#### NON-IC HOUSING

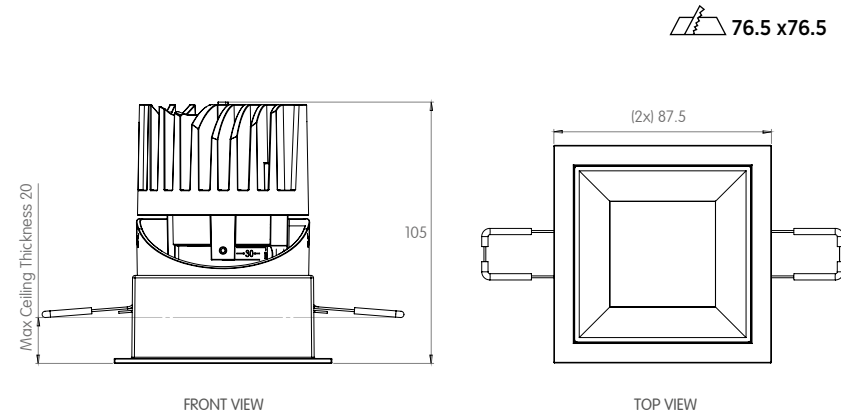


#### IC HOUSING & AIRTIGHT

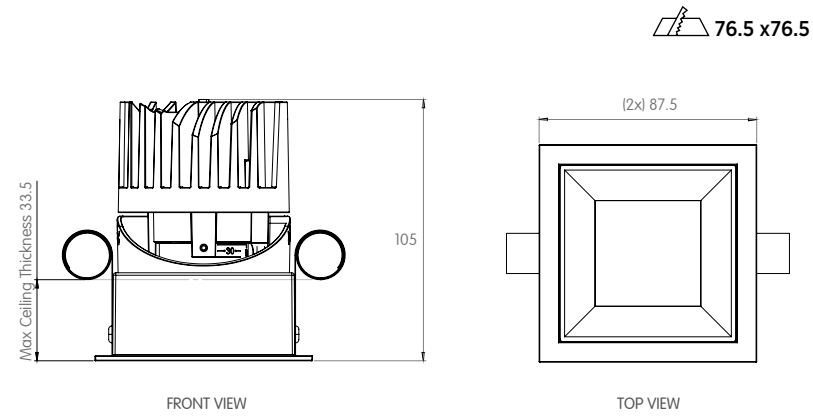


**MOUNTING FLEXIBILITY**  
Per Millimeter

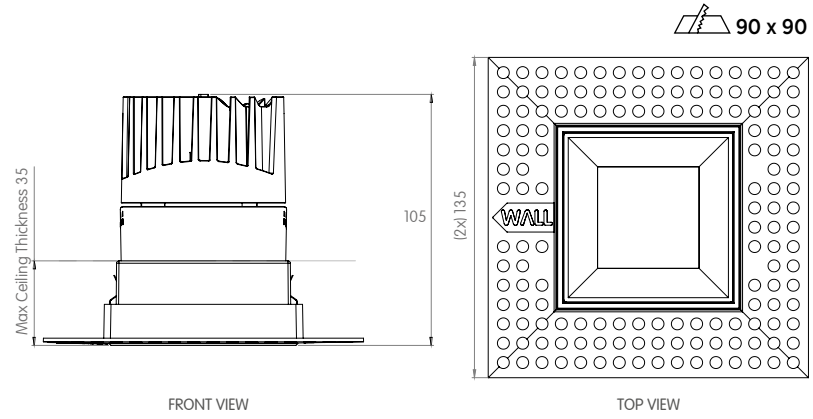
**TRIM TORSION SPRINGS**



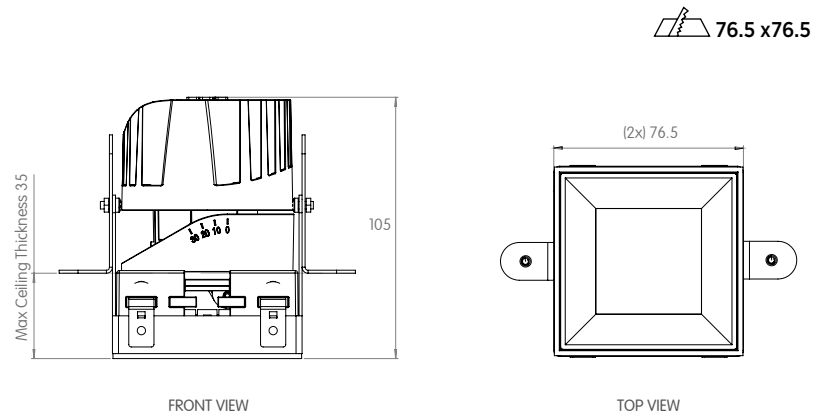
**TRIM CONSTANT FORCE SPRINGS**



**TRIMLESS**



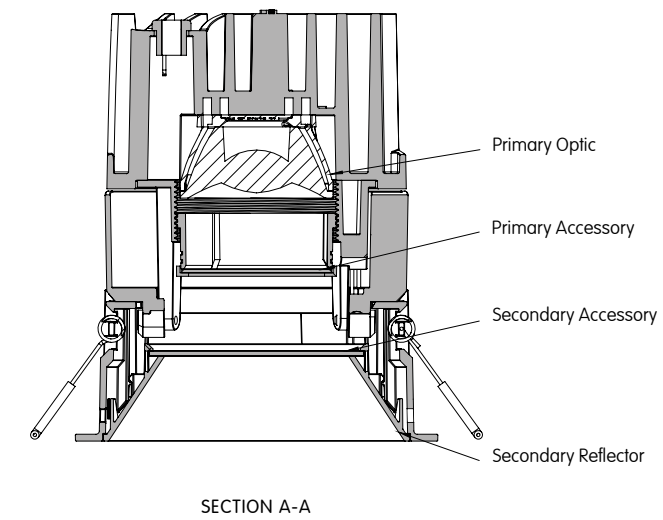
**MILLWORK**



**DELIVERED LUMEN OUTPUT**

Output	Watts	CRI +90			
<b>STATIC-WHITE</b>		<b>2700K</b>	<b>3000K</b>	<b>4000K</b>	
L	9W	656 lm	702 lm	839 lm	
M	11W	808 lm	858 lm	1113 lm	
H	13W	964 lm	1014 lm	1271 lm	
<b>DIM-TO-WARM 3000K-1800K</b>		<b>3000K</b>			
D	8W	540 lm			
W	12W	810 lm			
<b>TUNABLE WHITE 2700K-6500K</b>		<b>2700K</b>	<b>6500K</b>		
U	8W	470 lm	560 lm		
A	12W	675 lm	795 lm		
<b>RGBW</b>		<b>R</b>	<b>G</b>	<b>B</b>	<b>W</b>
L	2W	35 lm	185 lm	35 lm	140 lm
C	8W				

**ACCESSORIES SCHEMATIC**



# CHAMELEON R3"

## Zoomable

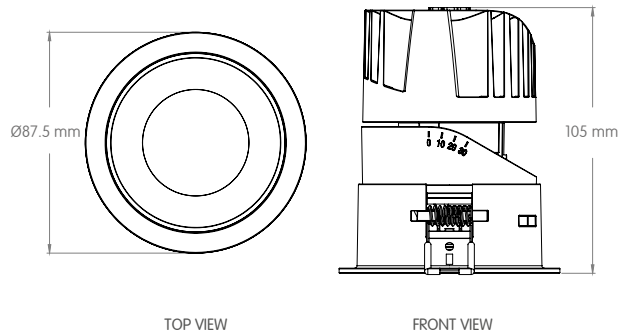


- Up to 750lm delivered output
- Trim, trimless and millwork mounting options
- High CRI, up to +97 CRI, available upon request
- Dim-to-Warm capability 3000K to 1800K
- Tunable White capability 2700K to 5000K
- Gear driven tilt 0° to 30° and 360° lockable rotation
- Zoomable Lens from 15° to 50°
- 5 years limited warranty
- Chicago plenum rated

### HOUSING SPECS

Code example: **C3-L10R9**

Series	Power/Output	Voltage	Control	Housing	Emergency
<b>C3</b>	L <sup>1</sup> 9W (585lm)	1 120V	0 Non-Dim	R Remodel	N No
	M <sup>1</sup> 11W (715lm)	U Universal 120V to 277V	1 0-10 to 1%	N Non-IC	9 90 mins
	H <sup>1</sup> 13W (845lm)		2 0-10 fade-off	I <sup>4</sup> IC	
	R <sup>2</sup> 10W (605lm)		D Dali	A <sup>4</sup> Airtight	
	T <sup>3</sup> 4.5W (260lm)		P Phase ELV & Triac	O No Housing	
			L Lutron		
			X DMX		



### MODULE SPECS

The Module should have the same Power as the Housing

Code example: **C3-LR0-ZW-WW-Z927-0-N**

P/O	Mounting	Trim Color	Ref. Color	IP Rating	Optics Type	LED CRI	LED CCT	Accessories (Primary)	Accessories (Secondary)
<b>C3</b>	R0 Round Trimless	<b>Z</b> W White	W Flat White	D Dry	Z 15°-50°	9 90	27 2700K	0 No Accessories	N No Accessories
	R1 Round Trim	B Black	B Flat Black	W Wet		H Thrive	30 3000K	C Clear Lens	T Clear Lens
	R2 Round Trim with Constant Force Spring	S Grey	N Black Nickel				35 3500K	D <sup>6</sup> Diffuse lens	L Diffuse lens
	R3 Round Millwork	X Custom	C Specular Chrome				40 4000K	E <sup>7</sup> Elliptical Lens	F Solite Lens
			D Diffuse Chrome				<b>WD</b> 3000K - 1800K	H Honeycomb Lens	
			G Bright Gold				<b>TW<sup>5</sup></b> 2700K - 5000K	S Solite Lens	
			E Diffuse Gold					M Mixing	

### Notes:

- <sup>1</sup> Denotes output at 3000K, unless otherwise noted.
- <sup>2</sup> Denotes output specific to Dim-to-Warm at 3000K.
- <sup>3</sup> Denotes output specific to Tunable White at full on.

<sup>4</sup> Chicago Plenum rated.

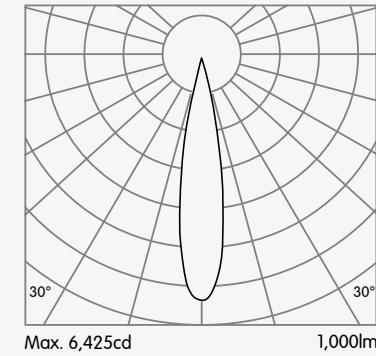
- <sup>5</sup> Tunable White available in 0-10V, DMX and DALI.
- <sup>6</sup> Diffuse lenses available in different angles.
- <sup>7</sup> Elliptical lenses available in different angles.

Consult factory for lead-times. Bold Lighting reserves the right to make technical changes without notice.

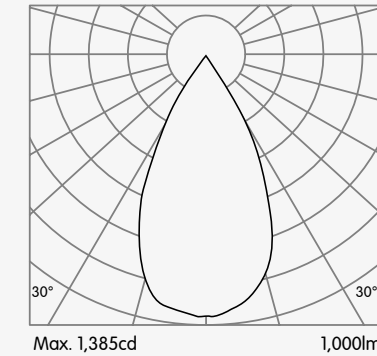
### OPTICAL FLEXIBILITY

#### Photometric data: Type C Polar Curves

Zoomable Distribution 15°

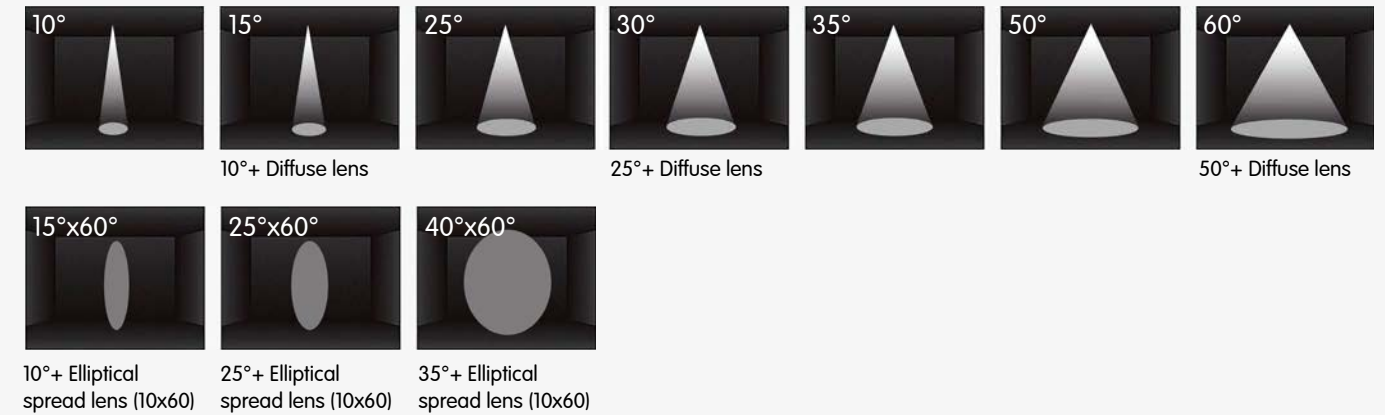


Zoomable Distribution 50°

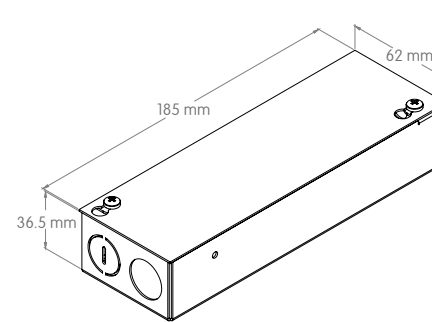


Notes:  
Other beam distribution available on demand. Please consult factory.

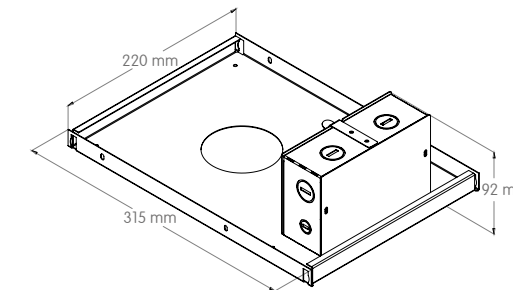
#### Beam distribution and combination



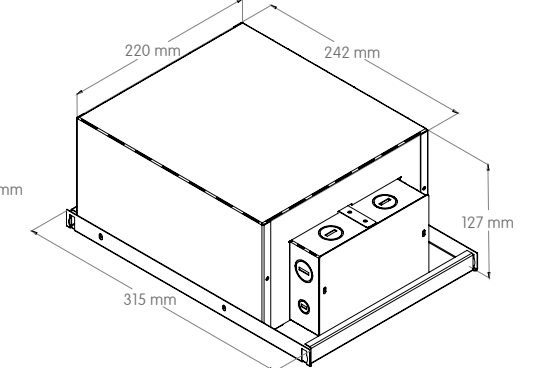
#### REMODEL HOUSING



#### NON-IC HOUSING

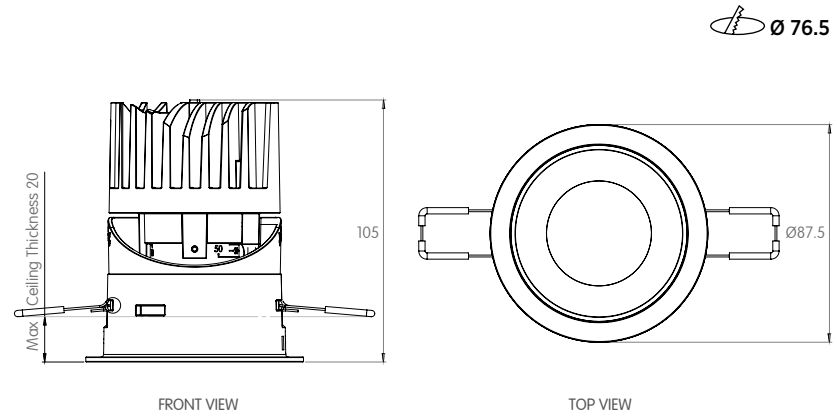


#### IC HOUSING & AIRTIGHT

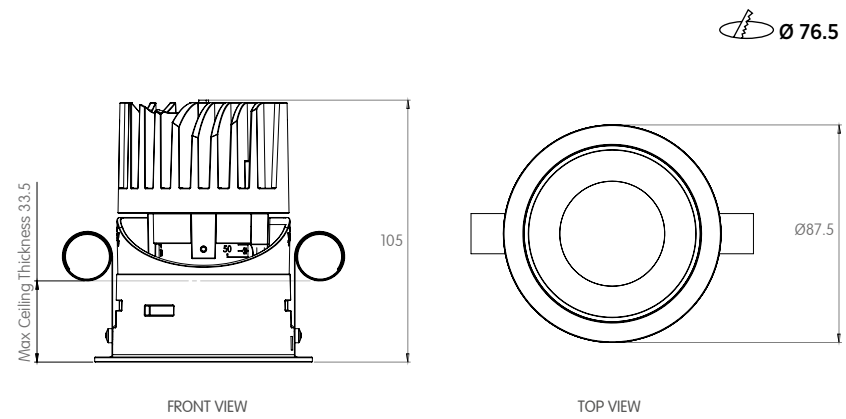


**MOUNTING FLEXIBILITY**  
Per Millimeter

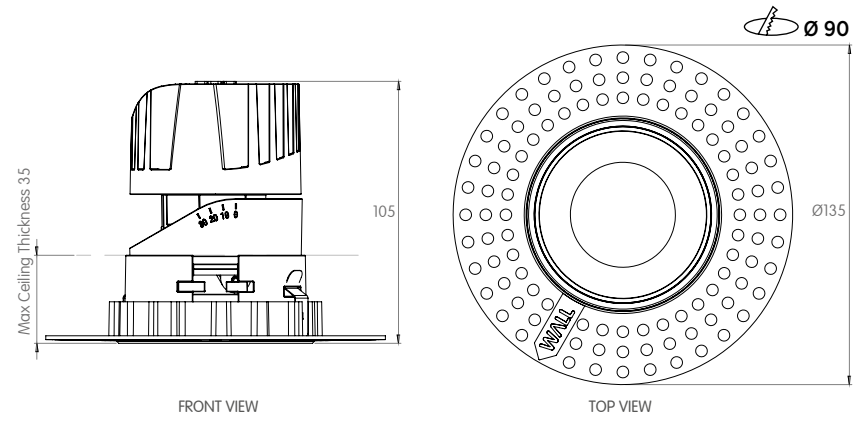
**TRIM TORSION SPRINGS**



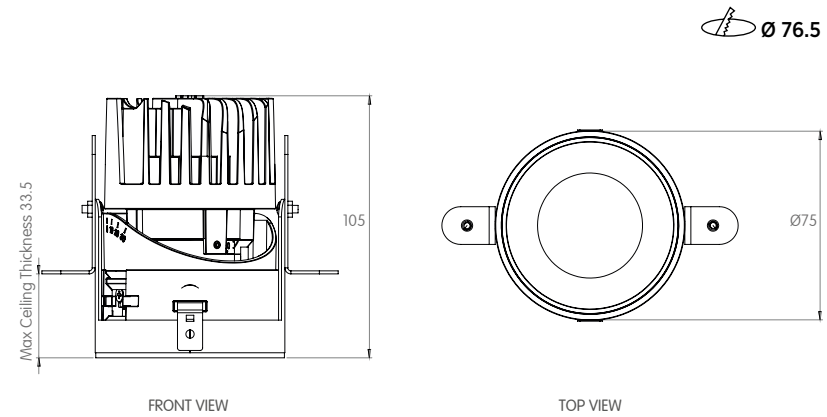
**TRIM CONSTANT FORCE SPRINGS**



**TRIMLESS**



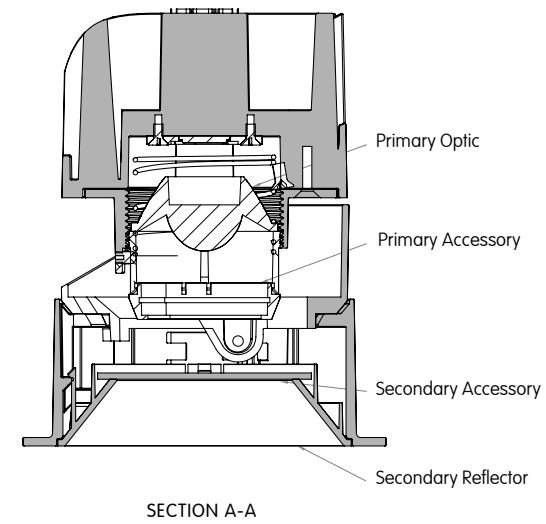
**MILLWORK**

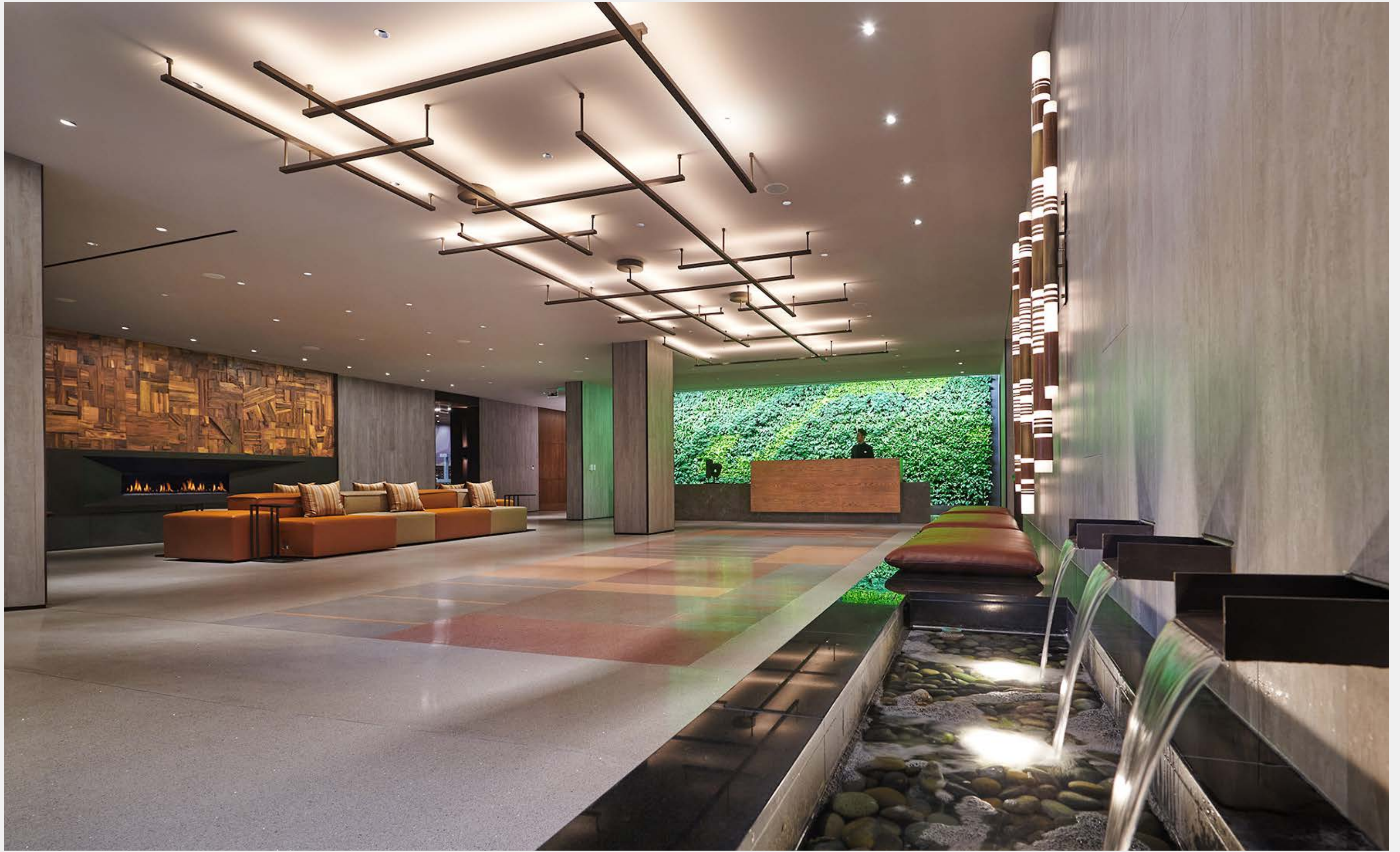


**DELIVERED LUMEN OUTPUT**

Output	Watts	CRI +90		
<b>STATIC-WHITE</b>		<b>2700K</b>	<b>3000K</b>	<b>4000K</b>
L	9W	546 lm	585 lm	702 lm
M	11W	672 lm	715 lm	925 lm
H	13W	802 lm	845 lm	1056 lm
<b>DIM-TO-WARM 3000K-1800K</b>		<b>3000K</b>		
R	10W	605 lm		
<b>TUNABLE WHITE 2700K-6500K</b>		<b>2700K</b>	<b>6500K</b>	
T	4.5W	200 lm	260 lm	

**ACCESSORIES SCHEMATIC**





*Crossing DC  
Washington, DC  
Lighting Design: George Sexton Associates*

# CHAMELEON S3"

## Zoomable

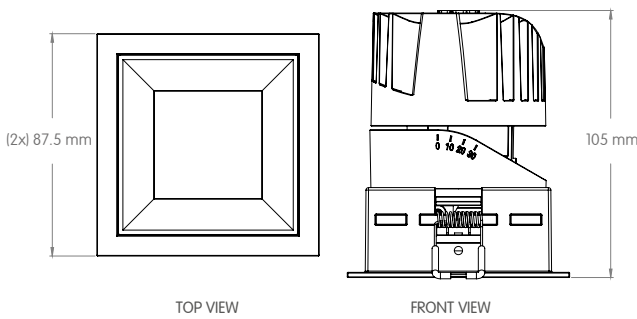


- Up to 750lm delivered output
- Trim, trimless and millwork mounting options
- High CRI, up to +97 CRI, available upon request
- Dim-to-Warm capability 3000K to 1800K
- Tunable White capability 2700K to 5000K
- Gear driven tilt 0° to 30° and 360° lockable rotation
- Zoomable Lens from 15° to 50°
- 5 years limited warranty
- Chicago plenum rated

### HOUSING SPECS

Code example: **C3-L10R9**

Series	Power/Output	Voltage	Control	Housing	Emergency
<b>C3</b>	<b>L<sup>1</sup></b> 9W (585lm)	<b>1</b> 120V	<b>0</b> Non-Dim	<b>R</b> Remodel	<b>N</b> No
	<b>M<sup>1</sup></b> 11W (715lm)	<b>U</b> Universal 120V to 277V	<b>1</b> 0-10 to 1%	<b>N</b> Non-IC	<b>9</b> 90 mins
	<b>H<sup>1</sup></b> 13W (845lm)		<b>2</b> 0-10 fade-off	<b>I<sup>4</sup></b> IC	
	<b>R<sup>2</sup></b> 10W (605lm)		<b>D</b> Dali	<b>A<sup>4</sup></b> Airtight	
	<b>T<sup>3</sup></b> 4.5W (260lm)		<b>P</b> Phase ELV & Triac	<b>O</b> No Housing	
			<b>L</b> Lutron		
			<b>X</b> DMX		



### MODULE SPECS

The Module should have the same Power as the Housing

Code example: **C3-LS0-ZW-WW-Z927-0-N**

P/O	Mounting	Trim Color	Ref. Color	IP Rating	Optics Type	LED CRI	LED CCT	Accessories (Primary)	Accessories (Secondary)
<b>C3</b>	<b>S0</b> Square Trimless	<b>Z</b> <b>W</b> White	<b>W</b> Flat White	<b>D</b> Dry	<b>Z</b> 15°-50°	<b>9</b> 90	<b>27</b> 2700K	<b>0</b> No Accessories	<b>N</b> No Accessories
	<b>S1</b> Square Trim	<b>B</b> Black	<b>B</b> Flat Black	<b>W</b> Wet		<b>H</b> Thrive	<b>30</b> 3000K	<b>C</b> Clear Lens	<b>T</b> Clear Lens
	<b>S2</b> Square Trim with Constant Force Spring	<b>S</b> Grey	<b>N</b> Black Nickel				<b>35</b> 3500K	<b>D<sup>6</sup></b> Diffuse lens	<b>L</b> Diffuse lens
	<b>S3</b> Square Millwork	<b>X</b> Custom	<b>C</b> Specular Chrome				<b>40</b> 4000K	<b>E<sup>7</sup></b> Elliptical Lens	<b>F</b> Solite Lens
			<b>D</b> Diffuse Chrome				<b>WD</b> 3000K - 1800K	<b>H</b> Honeycomb Lens	
			<b>G</b> Bright Gold				<b>TW<sup>5</sup></b> 2700K - 5000K	<b>S</b> Solite Lens	
			<b>E</b> Diffuse Gold					<b>M</b> Mixing	

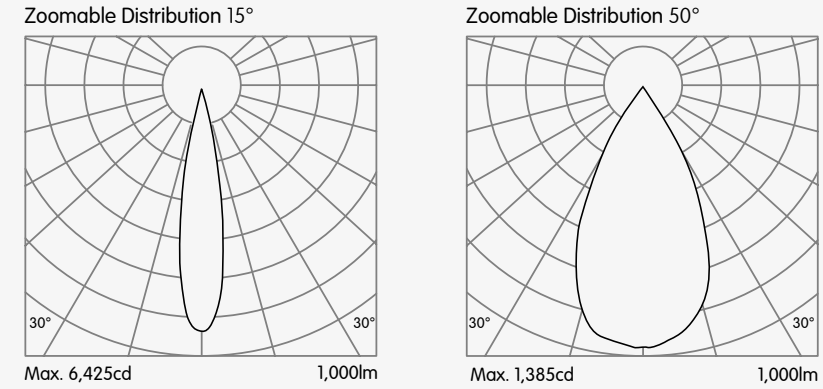
For more info about the placement of the accessories, please consult the schematic on P4

#### Notes:

- <sup>1</sup> Denotes output at 3000K, unless otherwise noted.
  - <sup>2</sup> Denotes output specific to Dim-to-Warm at 3000K.
  - <sup>3</sup> Denotes output specific to Tunable White at full on.
  - <sup>4</sup> Chicago Plenum rated.
  - <sup>5</sup> Tunable White available in 0-10V, DMX and DALI.
  - <sup>6</sup> Diffuse lenses available in different angles.
  - <sup>7</sup> Elliptical lenses available in different angles.
- Consult factory for lead-times. Bold Lighting reserves the right to make technical changes without notice.

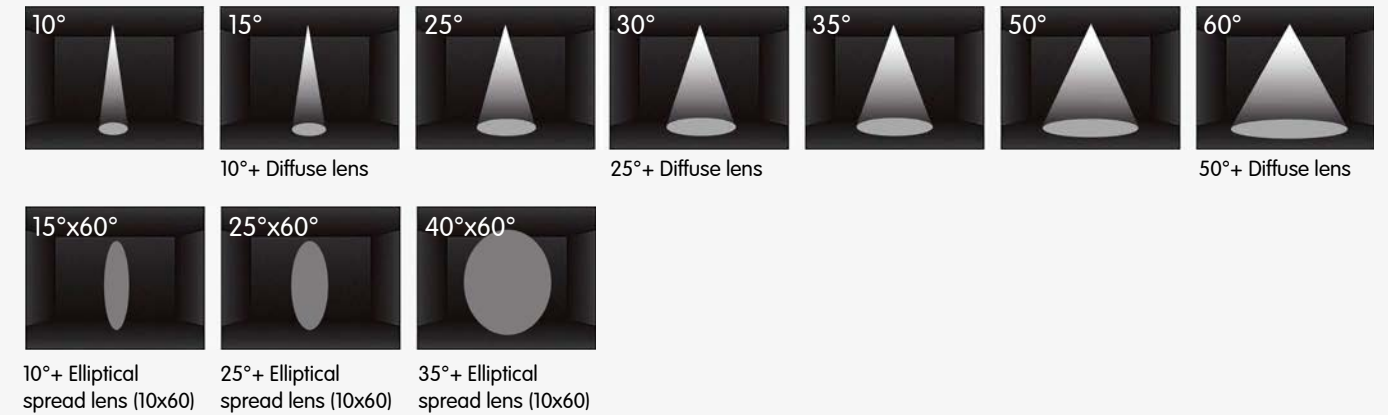
## OPTICAL FLEXIBILITY

### Photometric data: Type C Polar Curves

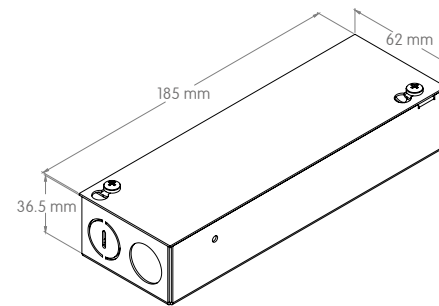


Notes:  
Other beam distribution available on demand.  
Please consult factory.

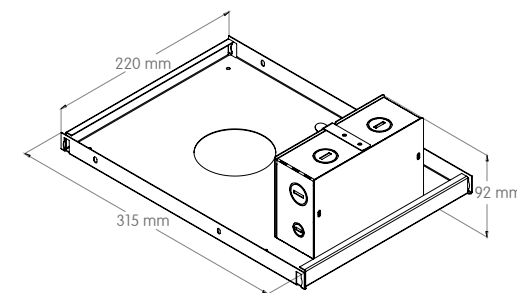
### Beam distribution and combination



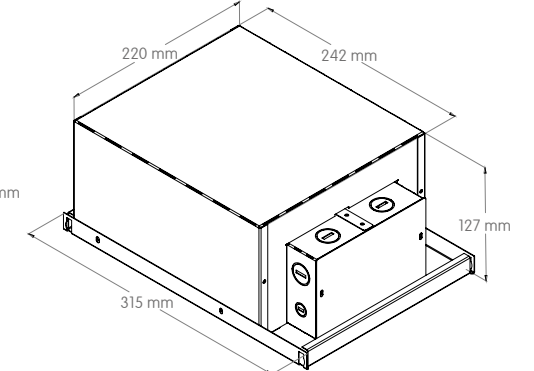
### REMODEL HOUSING



### NON-IC HOUSING

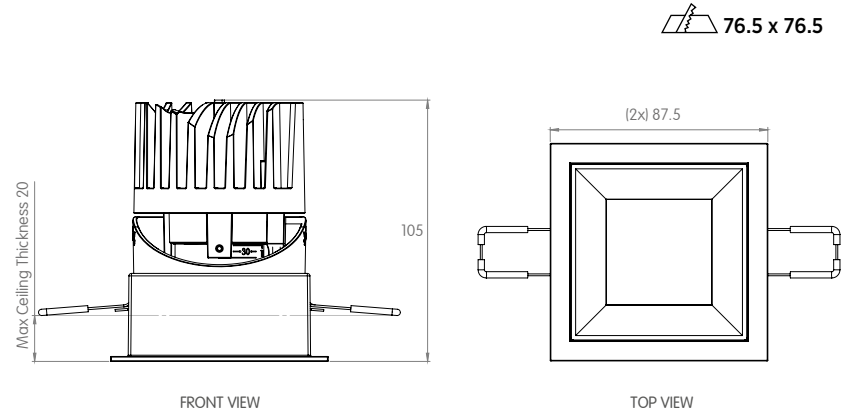


### IC HOUSING & AIRTIGHT

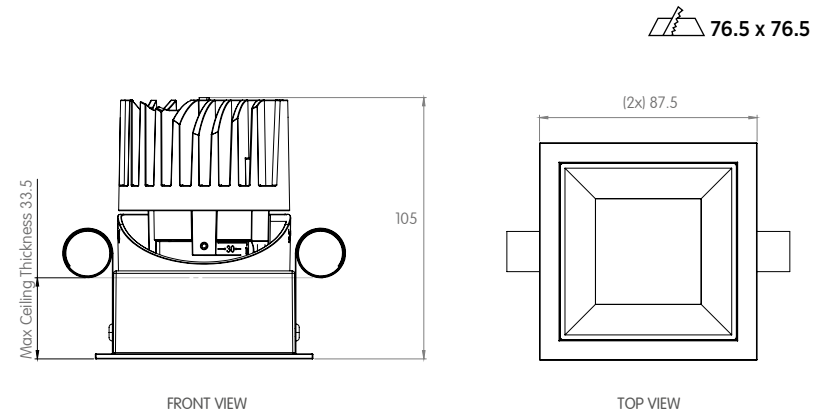


**MOUNTING FLEXIBILITY**  
Per Millimeter

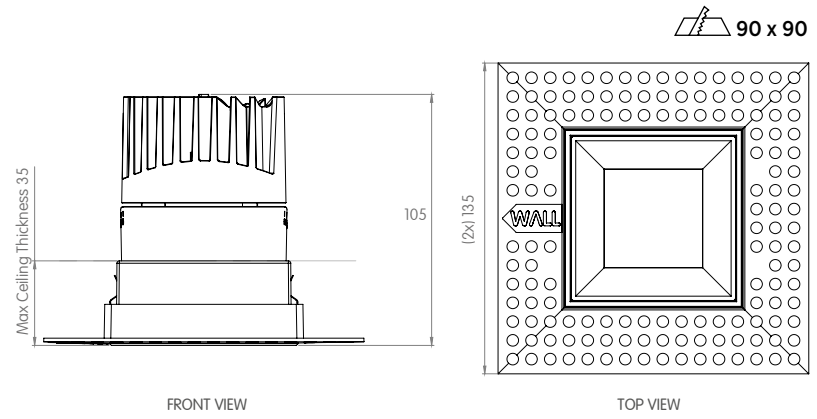
**TRIM TORSION SPRINGS**



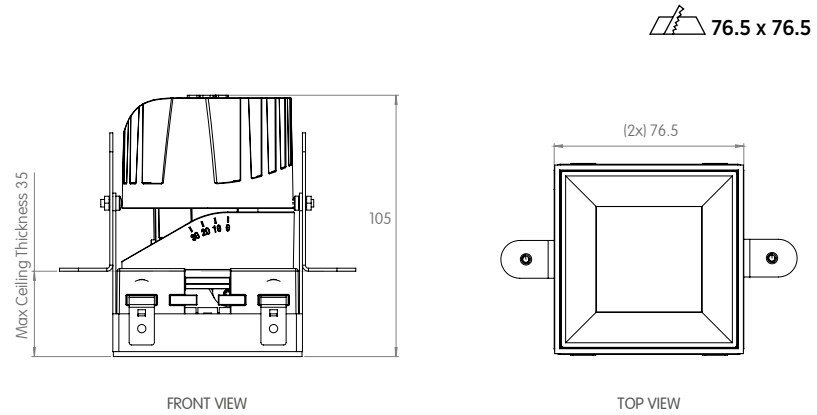
**TRIM CONSTANT FORCE SPRINGS**



**TRIMLESS**



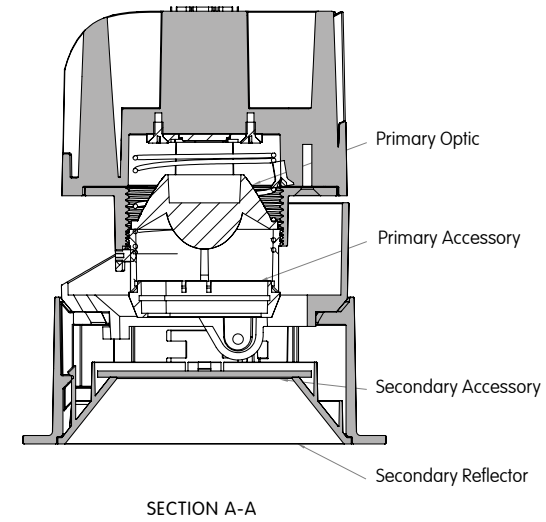
**MILLWORK**



**DELIVERED LUMEN OUTPUT**

Output	Watts	CRI +90		
<b>STATIC-WHITE</b>		<b>2700K</b>	<b>3000K</b>	<b>4000K</b>
L	9W	546 lm	585 lm	702 lm
M	11W	672 lm	715 lm	925 lm
H	13W	802 lm	845 lm	1056 lm
<b>DIM-TO-WARM 3000K-1800K</b>		<b>3000K</b>		
R	10W	605 lm		
<b>TUNABLE WHITE 2700K-6500K</b>		<b>2700K</b>	<b>6500K</b>	
T	4.5W	200 lm	260 lm	

**ACCESSORIES SCHEMATIC**



# CHAMELEON R3"

## Washed



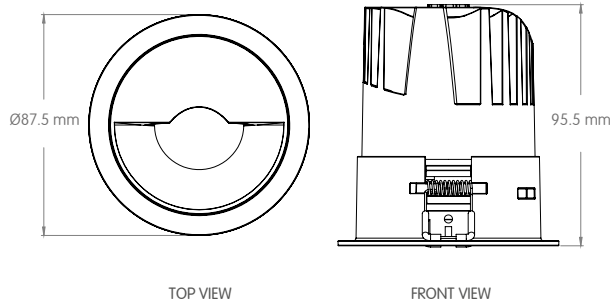
- Up to 570lm delivered output
- Trim, trimless and millwork mounting options
- High CRI, up to +97 CRI, available upon request
- Dim-to-Warm capability 3000K to 1800K
- Tunable White capability 2700K to 5000K
- High uniformity light distribution  $E_{min.}/E_{max.} = 1/3$
- 5 years limited warranty
- Chicago plenum rated

\* Downlight is inherently IC rated per ETL testing to UL1598 standard and can be installed without a housing when specified with Standard Output (11 Watts). LED driver current is factory set at 260mA.

### HOUSING SPECS

Code example: **C3-L10R9**

Series	Power/Output	Voltage	Control	Housing	Emergency
<b>C3</b>	L <sup>1</sup> 9W (495lm)	1 120V	0 Non-Dim	R Remodel	N No
	M <sup>1</sup> 11W (605lm)	U Universal 120V to 277V	1 0-10 to 1%	N Non-IC	9 90 mins
	H <sup>1</sup> 13W (715lm)		2 0-10 fade-off	I <sup>5</sup> IC	
	D <sup>2</sup> 8W (385lm)		D Dali	A <sup>5</sup> Airtight	
	W <sup>2</sup> 12W (590lm)		P Phase ELV & Triac	O No Housing	
	U <sup>3</sup> 8W (468lm)		L Lutron		
	A <sup>3</sup> 12W (650lm)		X DMX		
	C <sup>4</sup> 8W (100lm)				



### MODULE SPECS

The Module should have the same Power as the Housing

Code example: **C3-LR0-WW-WW-W927-0**

P/O	Mounting	Trim Color	Ref. Color	IP Rating	Optics Type	LED CRI	LED CCT	Accessories
<b>C3</b>	R0 Round Trimless	<b>W</b> White	<b>W</b> Flat White	D Dry	W Washer	9 90	27 2700K	0 No Accessories
	R1 Round Trim	<b>B</b> Black	<b>B</b> Flat Black	W Wet		H Thrive	30 3000K	
	R2 Round Trim with Constant Force Spring	<b>S</b> Grey	<b>N</b> Black Nickel				35 3500K	
	R3 Round Millwork	<b>X</b> Custom	<b>C</b> Specular Chrome				40 4000K	
			<b>D</b> Diffuse Chrome				<b>WD</b> 3000K - 1800K	
			<b>G</b> Bright Gold				<b>TW</b> <sup>6</sup> 2700K - 5000K	
			<b>E</b> Diffuse Gold				<b>CC</b> RGBW	

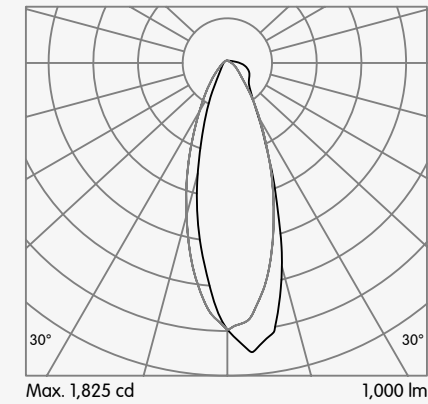
#### Notes:

- <sup>1</sup> Denotes output at 3000K, unless otherwise noted.
  - <sup>2</sup> Denotes output specific to Dim-to-Warm at 3000K.
  - <sup>3</sup> Denotes output specific to Tunable White at full on.
  - <sup>4</sup> Denotes output at White, 3000K.
  - <sup>5</sup> Chicago Plenum rated.
  - <sup>6</sup> Tunable White available in 0-10V, DMX and DALI.
- Consult factory for lead-times.  
Bold Lighting reserves the right to make technical changes without notice.

## OPTICAL FLEXIBILITY

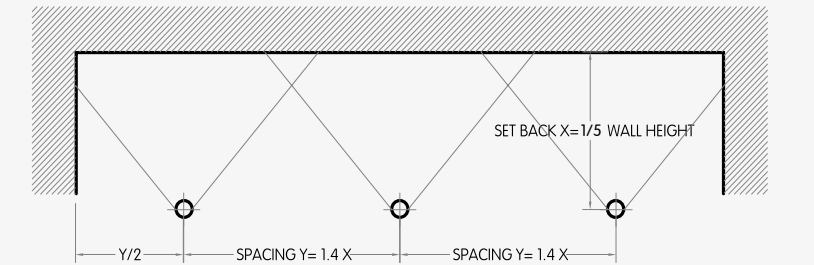
### Photometric data: Type C Polar Curves

#### Wallwash Distribution



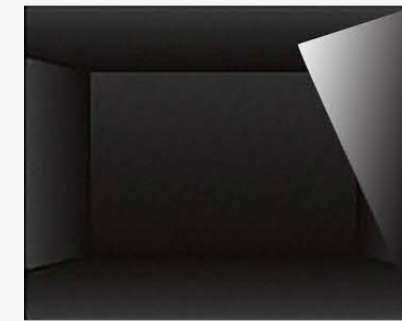
#### Wallwasher optimal spacing

#### Plan View

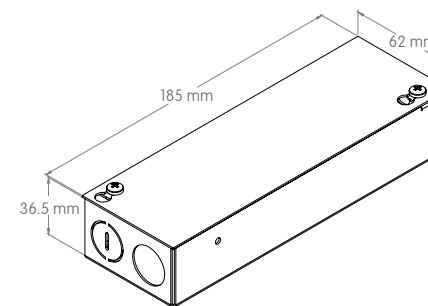


### Beam distribution

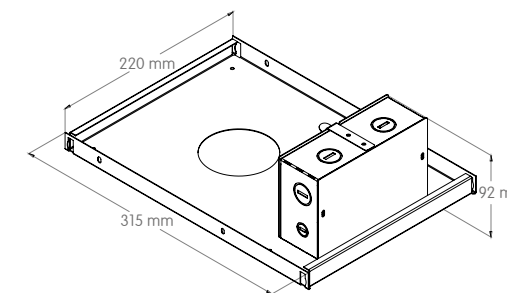
#### Wallwash



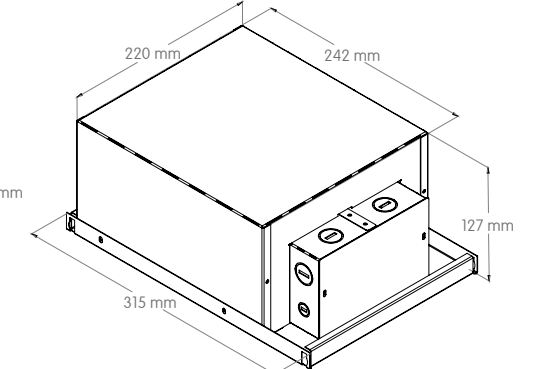
#### REMODEL HOUSING



#### NON-IC HOUSING

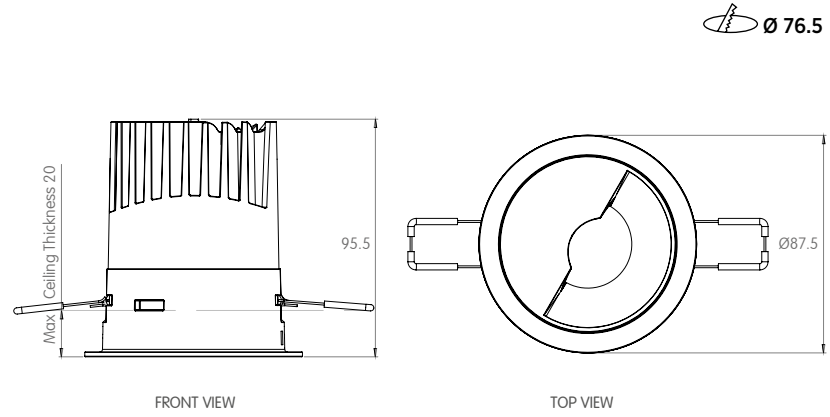


#### IC HOUSING & AIRTIGHT

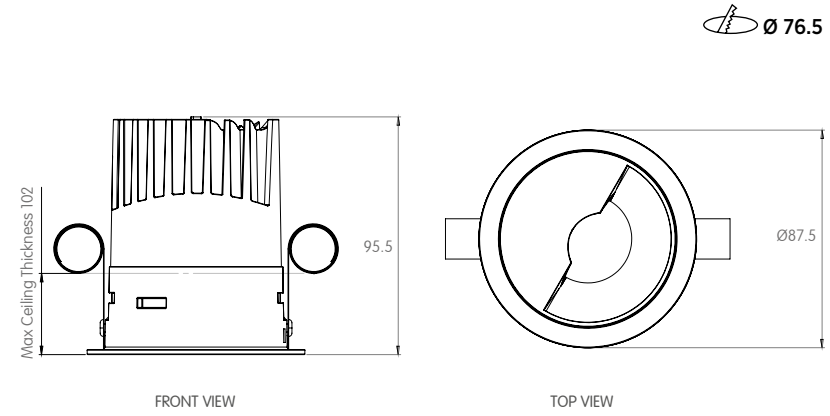


**MOUNTING FLEXIBILITY**  
Per Millimeter

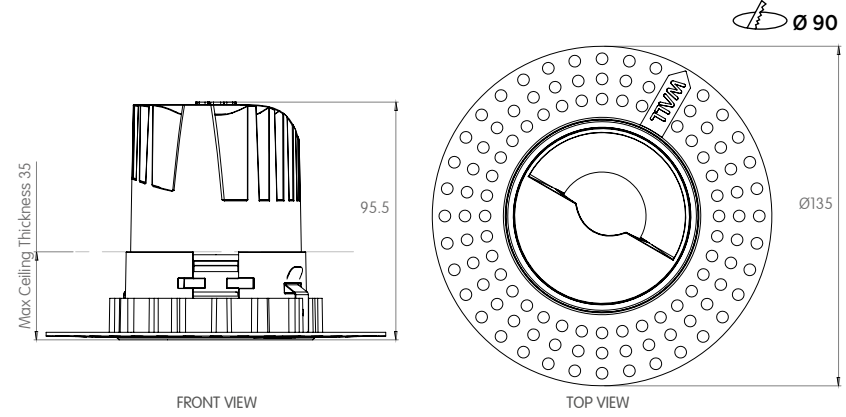
**TRIM TORSION SPRINGS**



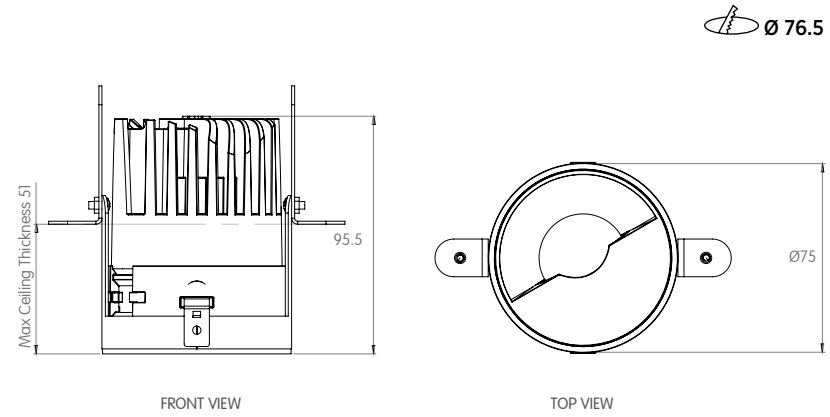
**TRIM CONSTANT FORCE SPRINGS**



**TRIMLESS**



**MILLWORK**



**DELIVERED LUMEN OUTPUT**

Output	Watts	CRI +90			
<b>STATIC-WHITE</b>		<b>2700K</b>	<b>3000K</b>	<b>4000K</b>	
L	9W	482 lm	495 lm	507 lm	
M	11W	579 lm	605 lm	617 lm	
H	13W	689 lm	715 lm	727 lm	
<b>DIM-TO-WARM 3000K-1800K</b>		<b>3000K</b>			
D	8W	385 lm			
W	12W	590 lm			
<b>TUNABLE WHITE 2700K-6500K</b>		<b>2700K</b>	<b>6500K</b>		
U	8W	400 lm	468 lm		
A	12W	562 lm	650 lm		
<b>RGBW</b>		<b>R</b>	<b>G</b>	<b>B</b>	<b>W</b>
L	2W	20 lm	130 lm	20 lm	100 lm
C	8W				

# CHAMELEON S3"

## Washed



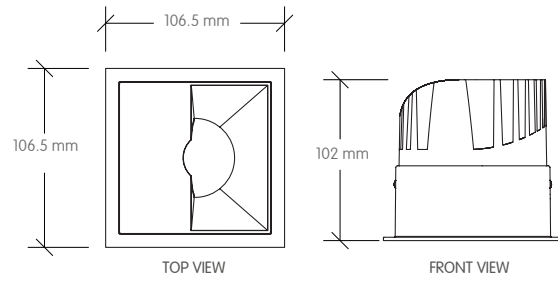
- Up to 950lm delivered output
- Trim, trimless and millwork mounting options
- High CRI, up to +97 CRI, available upon request
- Dim-to-Warm capability 3000K to 1800K
- Tunable White capability 2700K to 5000K
- High uniformity light distribution  $E_{min.}/E_{max.} = 1/3$
- 5 years limited warranty
- Chicago plenum rated

\* Downlight is inherently IC rated per ETL testing to UL1598 standard and can be installed without a housing when specified with Standard Output (11 Watts). LED driver current is factory set at 260mA.

### HOUSING SPECS

Code example: **C3-L10R9**

Series	Power/Output	Voltage	Control	Housing	Emergency
<b>C3</b>	L <sup>1</sup> 9W (495lm)	1 120V	0 Non-Dim	R Remodel	N No
	M <sup>1</sup> 11W (605lm)	U Universal 120V to 277V	1 0-10 to 1%	N Non-IC	9 90 mins
	H <sup>1</sup> 13W (715lm)		2 0-10 fade-off	I <sup>5</sup> IC	
	D <sup>2</sup> 8W (385lm)		D Dali	A <sup>5</sup> Airtight	
	W <sup>2</sup> 12W (590lm)		P Phase ELV & Triac	O No Housing	
	U <sup>3</sup> 8W (468lm)		L Lutron		
	A <sup>3</sup> 12W (650lm)		X DMX		
	C <sup>4</sup> 8W (100lm)				



### MODULE SPECS

The Module should have the same Power as the Housing

Code example: **C3-LS0-WW-WW-W927-0**

P/O	Mounting	Trim Color	Ref. Color	IP Rating	Optics Type	LED CRI	LED CCT	Accessories
<b>C3</b>	S0 Square Trimless	<b>W</b> White	<b>W</b> Flat White	<b>D</b> Dry	<b>W</b> Washer	<b>9</b> 90	<b>27</b> 2700K	<b>0</b> No Accessories
	S1 Square Trim	<b>B</b> Black	<b>B</b> Flat Black	<b>W</b> Wet		<b>H</b> Thrive	<b>30</b> 3000K	
	S2 Square Trim with Constant Force Spring	<b>S</b> Grey	<b>N</b> Black Nickel				<b>35</b> 3500K	
	S3 Square Millwork	<b>X</b> Custom	<b>C</b> Specular Chrome				<b>40</b> 4000K	
			<b>D</b> Diffuse Chrome				<b>WD</b> 3000K - 1800K	
			<b>G</b> Bright Gold				<b>TW<sup>6</sup></b> 2700K - 5000K	
			<b>E</b> Diffuse Gold				<b>CC</b> RGBW	

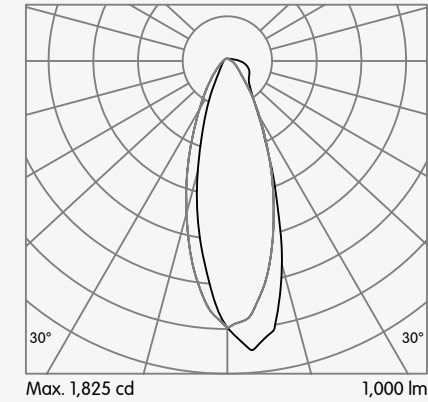
#### Notes:

- <sup>1</sup> Denotes output at 3000K, unless otherwise noted.
  - <sup>2</sup> Denotes output specific to Dim-to-Warm at 3000K.
  - <sup>3</sup> Denotes output specific to Tunable White at full on.
  - <sup>4</sup> Denotes output at White, 3000K.
  - <sup>5</sup> Chicago Plenum rated.
  - <sup>6</sup> Tunable White available in 0-10V, DMX and DALI.
- Consult factory for lead-times.  
Bold Lighting reserves the right to make technical changes without notice.

## OPTICAL FLEXIBILITY

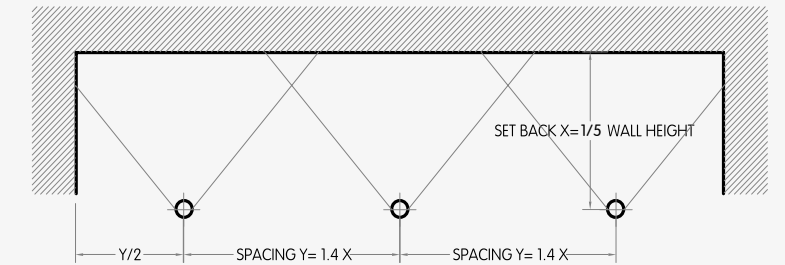
### Photometric data: Type C Polar Curves

#### Wallwash Distribution



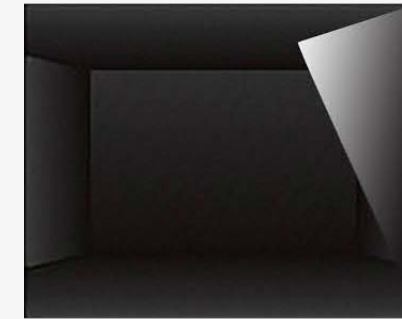
#### Wallwasher optimal spacing

#### Plan View

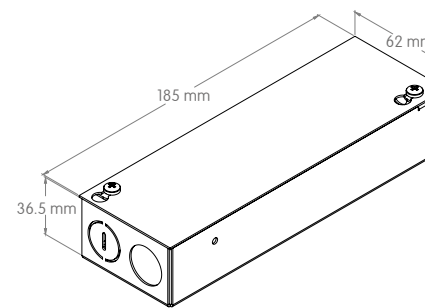


### Beam distribution

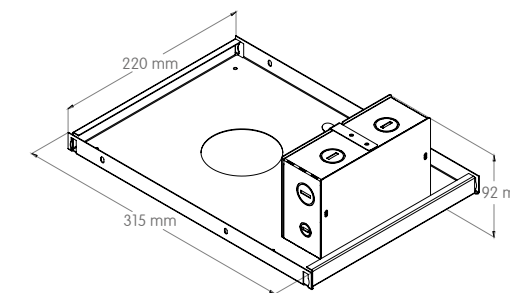
#### Wallwash



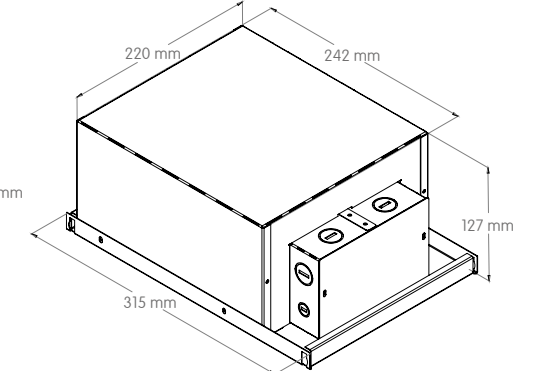
#### REMODEL HOUSING



#### NON-IC HOUSING

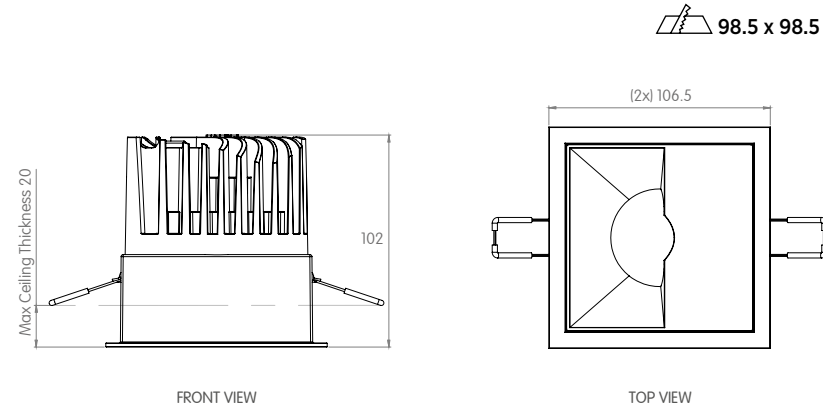


#### IC HOUSING & AIRTIGHT

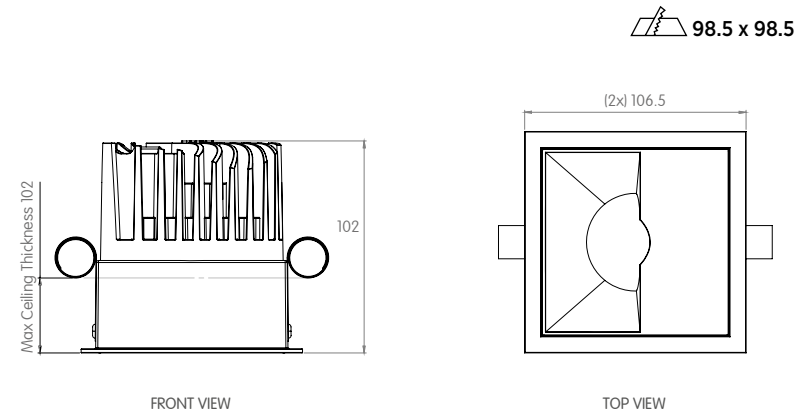


**MOUNTING FLEXIBILITY**  
Per Millimeter

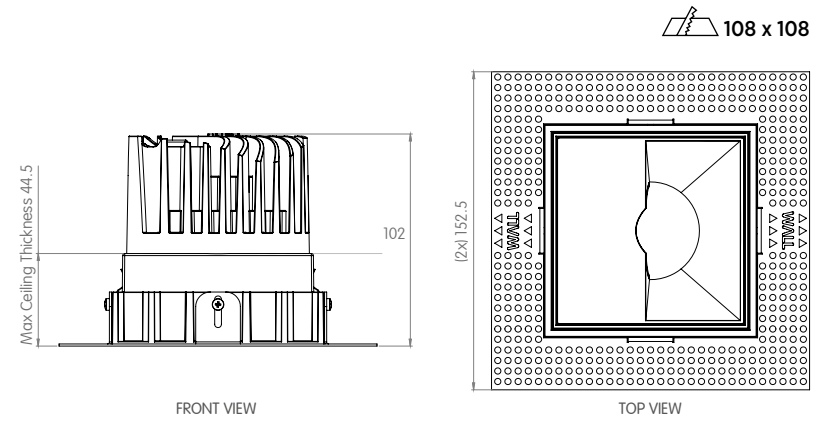
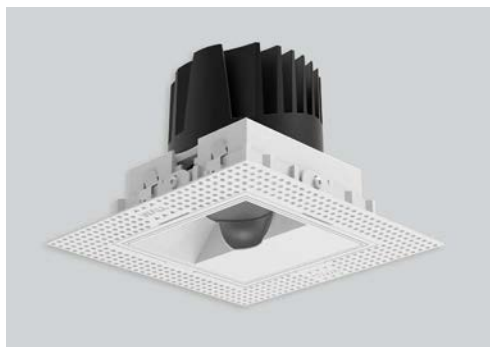
**TRIM TORSION SPRINGS**



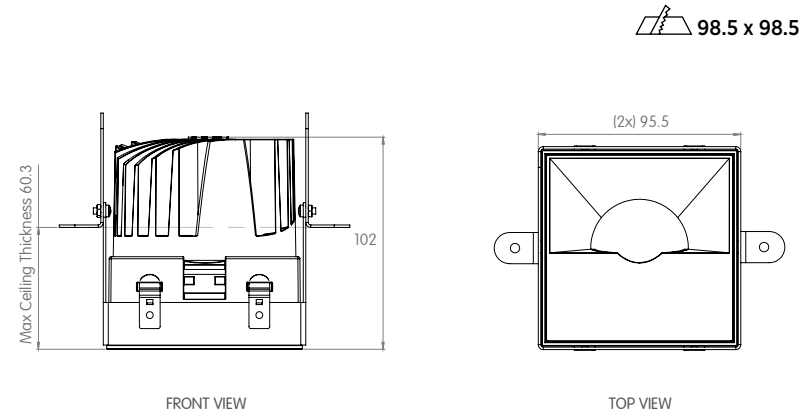
**TRIM CONSTANT FORCE SPRINGS**



**TRIMLESS**



**MILLWORK**



**DELIVERED LUMEN OUTPUT**

Output	Watts	CRI +90			
<b>STATIC-WHITE</b>		<b>2700K</b>	<b>3000K</b>	<b>4000K</b>	
L	9W	482 lm	495 lm	507 lm	
M	11W	579 lm	605 lm	617 lm	
H	13W	689 lm	715 lm	727 lm	
<b>DIM-TO-WARM</b> 3000K-1800K		<b>3000K</b>			
D	8W	385 lm			
W	12W	590 lm			
<b>TUNABLE WHITE</b> 2700K-6500K		<b>2700K</b>	<b>6500K</b>		
U	8W	400 lm	468 lm		
A	12W	562 lm	650 lm		
<b>RGBW</b>		<b>R</b>	<b>G</b>	<b>B</b>	<b>W</b>
L	2W	20 lm	130 lm	20 lm	100 lm
C	8W				

# CHAMELEON R3"

## Shallow Washed



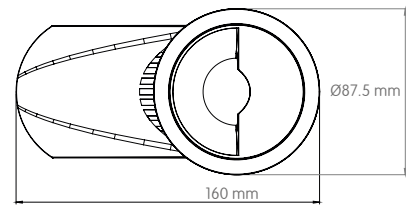
- Up to 570lm delivered output
- Trim mounting option
- High CRI, up to +97 CRI, available upon request
- Dim-to-Warm capability 3000K to 1800K
- Tunable White capability 2700K to 5000K
- High uniformity light distribution  $E_{min.}/E_{max.} = 1/3$
- 5 years limited warranty
- Chicago plenum rated

\* Downlight is inherently IC rated per ETL testing to UL1598 standard and can be installed without a housing when specified with Standard Output (11 Watts). LED driver current is factory set at 260mA.

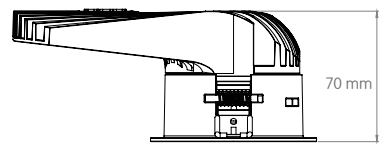
### HOUSING SPECS

Code example: **C3-L10R9**

Series	Power/Output	Voltage	Control	Housing	Emergency
<b>C3</b>	<b>L<sup>1</sup></b> 9W (495lm)	<b>1</b> 120V	<b>0</b> Non-Dim	<b>R</b> Remodel	<b>N</b> No
	<b>M<sup>1</sup></b> 11W (605lm)	<b>U</b> Universal 120V to 277V	<b>1</b> 0-10 to 1%	<b>N</b> Non-IC	<b>9</b> 90 mins
	<b>H<sup>1</sup></b> 13W (715lm)		<b>2</b> 0-10 fade-off	<b>F<sup>5</sup></b> IC	
	<b>D<sup>2</sup></b> 8W (385lm)		<b>D</b> Dali	<b>A<sup>5</sup></b> Airtight	
	<b>W<sup>2</sup></b> 12W (590lm)		<b>P</b> Phase ELV & Triac	<b>0</b> No Housing	
	<b>U<sup>3</sup></b> 8W (468lm)		<b>L</b> Lutron		
	<b>A<sup>3</sup></b> 12W (650lm)		<b>X</b> DMX		
	<b>C<sup>4</sup></b> 8W (100lm)				



TOP VIEW



FRONT VIEW

### MODULE SPECS

The Module should have the same Power as the Housing

Code example: **C3-LR2-GW-WW-W927-0**

P/O	Mounting	Trim Color	Ref. Color	IP Rating	Optics Type	LED CRI	LED CCT	Accessories
<b>C3</b>	<b>R1</b> Round Trim	<b>G</b> <b>W</b> White	<b>W</b> Flat White	<b>D</b> Dry	<b>W</b> Washer	<b>9</b> 90	<b>27</b> 2700K	<b>0</b> No Accessories
	<b>R2</b> Round Trim with Constant Force Spring	<b>B</b> Black	<b>B</b> Flat Black	<b>W</b> Wet		<b>H</b> Thrive	<b>30</b> 3000K	
		<b>S</b> Grey	<b>N</b> Black Nickel				<b>35</b> 3500K	
		<b>X</b> Custom	<b>C</b> Specular Chrome				<b>40</b> 4000K	
			<b>D</b> Diffuse Chrome				<b>WD</b> 3000K - 1800K	
			<b>G</b> Bright Gold				<b>TW<sup>6</sup></b> 2700K - 5000K	
			<b>E</b> Diffuse Gold				<b>CC</b> RGBW	

Refer to Housing Output

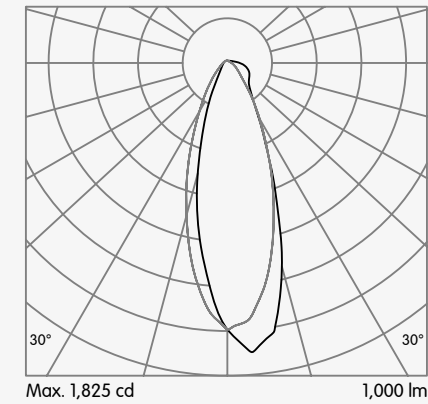
#### Notes:

- <sup>1</sup> Denotes output at 3000K, unless otherwise noted.
  - <sup>2</sup> Denotes output specific to Dim-to-Warm at 3000K.
  - <sup>3</sup> Denotes output specific to Tunable White at full on.
  - <sup>4</sup> Denotes output at White, 3000K.
  - <sup>5</sup> Chicago Plenum rated.
  - <sup>6</sup> Tunable White available in 0-10V, DMX and DALI.
- Consult factory for lead-times.  
Bold Lighting reserves the right to make technical changes without notice.

## OPTICAL FLEXIBILITY

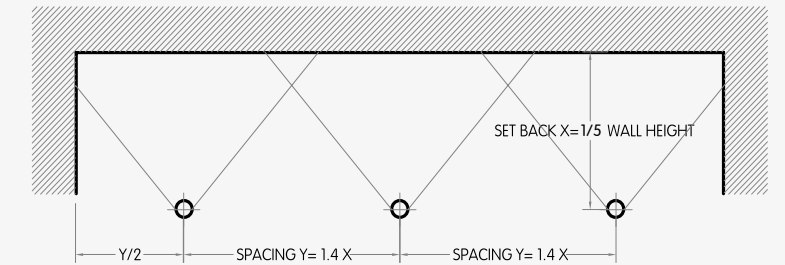
### Photometric data: Type C Polar Curves

#### Wallwash Distribution



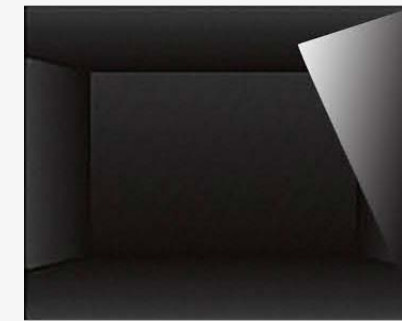
#### Wallwasher optimal spacing

#### Plan View

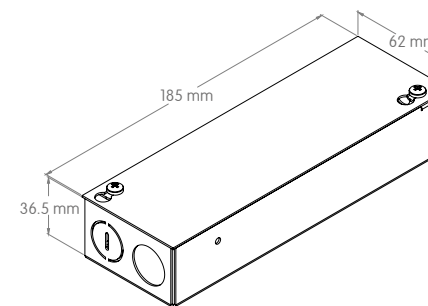


### Beam distribution

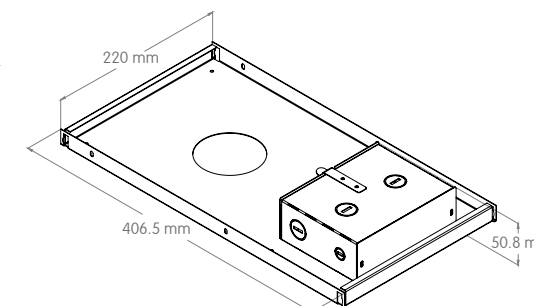
#### Wallwash



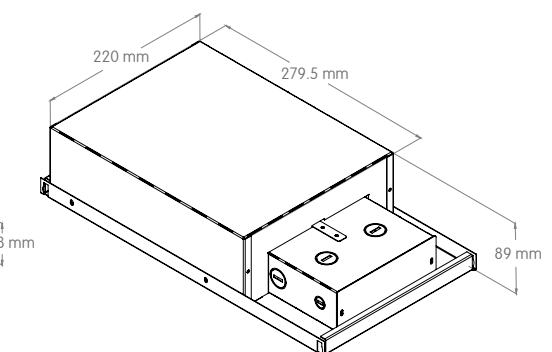
#### REMODEL HOUSING



#### NON-IC HOUSING

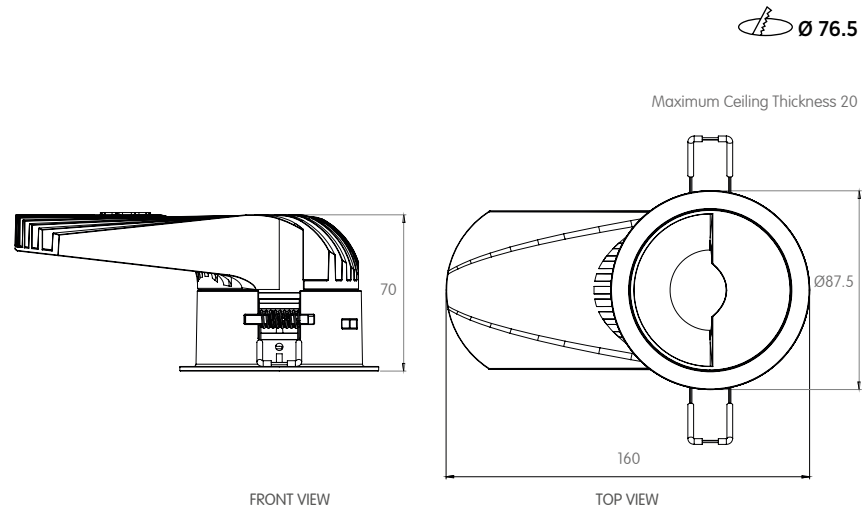


#### IC HOUSING & AIRTIGHT

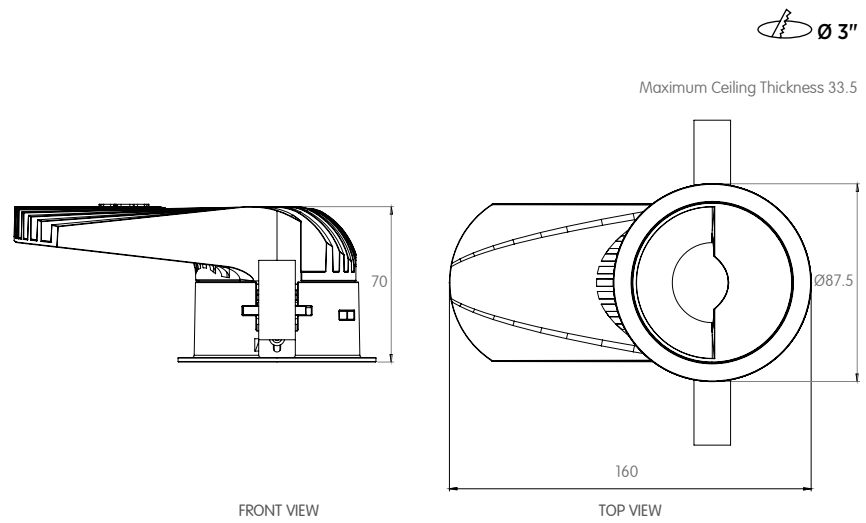


**MOUNTING FLEXIBILITY**  
Per Millimeter

**TRIM TORSION SPRINGS**



**TRIM CONSTANT FORCE SPRINGS**



**DELIVERED LUMEN OUTPUT**

Output		Watts		CRI +90			
<b>STATIC-WHITE</b>				<b>2700K</b>	<b>3000K</b>	<b>4000K</b>	
<b>L</b>	9W			482 lm	495 lm	507 lm	
<b>M</b>	11W			579 lm	605 lm	617 lm	
<b>H</b>	13W			689 lm	715 lm	727 lm	
<b>DIM-TO-WARM</b> <b>3000K-1800K</b>				<b>3000K</b>			
<b>D</b>	8W			385 lm			
<b>W</b>	12W			590 lm			
<b>TUNABLE WHITE</b> <b>2700K-6500K</b>				<b>2700K</b>		<b>6500K</b>	
<b>U</b>	8W			400 lm		468 lm	
<b>A</b>	12W			562 lm		650 lm	
<b>RGBW</b>				<b>R</b>	<b>G</b>	<b>B</b>	<b>W</b>
<b>L</b>	2W			20 lm	130 lm	20 lm	100 lm
<b>C</b>	8W						

# CHAMELEON S3"

## Shallow Washed



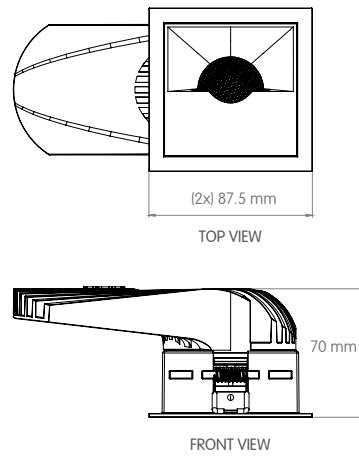
- Up to 570lm delivered output
- Trim mounting option
- High CRI, up to +97 CRI, available upon request
- Dim-to-Warm capability 3000K to 1800K
- Tunable White capability 2700K to 5000K
- High uniformity light distribution  $E_{min.}/E_{max.} = 1/3$
- 5 years limited warranty
- Chicago plenum rated

\* Downlight is inherently IC rated per ETL testing to UL1598 standard and can be installed without a housing when specified with Standard Output (11 Watts). LED driver current is factory set at 260mA.

### HOUSING SPECS

Code example: **C3-L10R9**

Series	Power/Output	Voltage	Control	Housing	Emergency
<b>C3</b>	<b>L</b> <sup>1</sup> 9W (495lm)	<b>1</b> 120V	<b>0</b> Non-Dim	<b>R</b> Remodel	<b>N</b> No
	<b>M</b> <sup>1</sup> 11W (605lm)	<b>U</b> Universal 120V to 277V	<b>1</b> 0-10 to 1%	<b>N</b> Non-IC	<b>9</b> 90 mins
	<b>H</b> <sup>1</sup> 13W (715lm)		<b>2</b> 0-10 fade-off	<b>F</b> IC	
	<b>D</b> <sup>2</sup> 8W (385lm)		<b>D</b> Dali	<b>A</b> <sup>5</sup> Airtight	
	<b>W</b> <sup>2</sup> 12W (590lm)		<b>P</b> Phase ELV & Triac	<b>O</b> No Housing	
	<b>U</b> <sup>3</sup> 8W (468lm)		<b>L</b> Lutron		
	<b>A</b> <sup>3</sup> 12W (650lm)		<b>X</b> DMX		
	<b>C</b> <sup>4</sup> 8W (100lm)				



### MODULE SPECS

The Module should have the same Power as the Housing

Code example: **C3-LS2-GW-WW-W927-0**

P/O	Mounting	Trim Color	Ref. Color	IP Rating	Optics Type	LED CRI	LED CCT	Accessories
<b>C3</b>	<b>S1</b> Square Trim	<b>G</b> <b>W</b> White	<b>W</b> Flat White	<b>D</b> Dry	<b>W</b> Washer	<b>9</b> 90	<b>27</b> 2700K	<b>0</b> No Accessories
	<b>S2</b> Square Trim with Constant Force Spring	<b>B</b> Black	<b>B</b> Flat Black	<b>W</b> Wet		<b>H</b> Thrive	<b>30</b> 3000K	
		<b>S</b> Grey	<b>N</b> Black Nickel				<b>35</b> 3500K	
		<b>X</b> Custom	<b>C</b> Specular Chrome				<b>40</b> 4000K	
			<b>D</b> Diffuse Chrome				<b>WD</b> 3000K - 1800K	
			<b>G</b> Bright Gold				<b>TW</b> <sup>6</sup> 2700K - 5000K	
			<b>E</b> Diffuse Gold				<b>CC</b> RGBW	

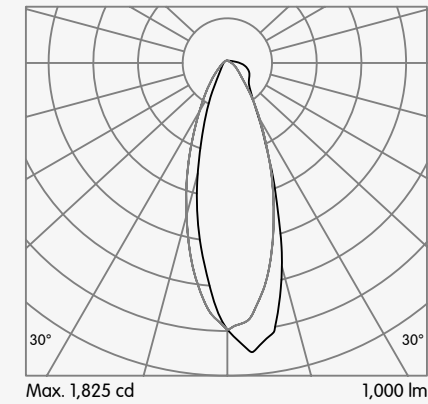
#### Notes:

- <sup>1</sup> Denotes output at 3000K, unless otherwise noted.
  - <sup>2</sup> Denotes output specific to Dim-to-Warm at 3000K.
  - <sup>3</sup> Denotes output specific to Tunable White at full on.
  - <sup>4</sup> Denotes output at White, 3000K.
  - <sup>5</sup> Chicago Plenum rated.
  - <sup>6</sup> Tunable White available in 0-10V, DMX and DALI.
- Consult factory for lead-times.  
Bold Lighting reserves the right to make technical changes without notice.

## OPTICAL FLEXIBILITY

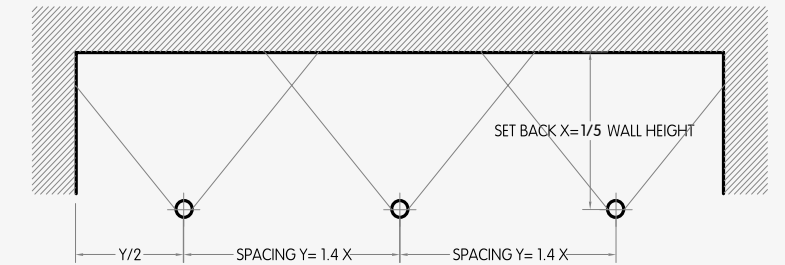
### Photometric data: Type C Polar Curves

#### Wallwash Distribution



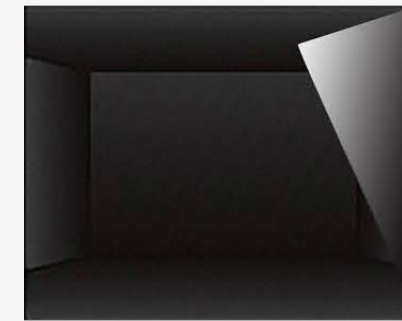
#### Wallwasher optimal spacing

#### Plan View

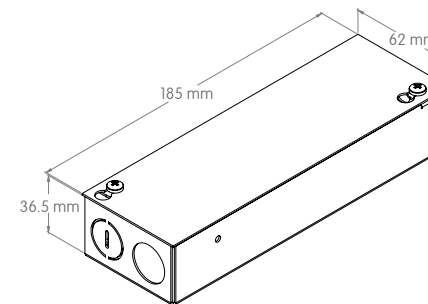


### Beam distribution

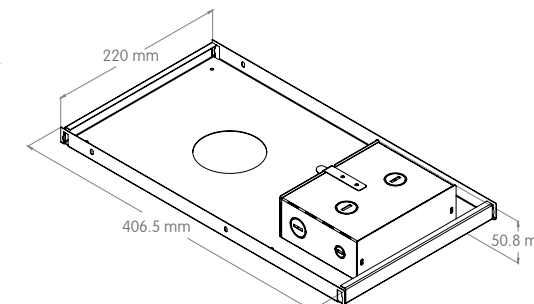
#### Wallwash



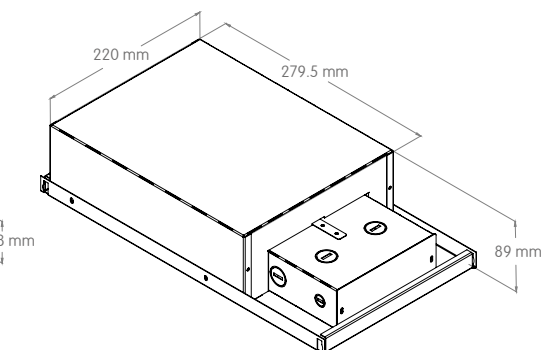
### REMODEL HOUSING



### NON-IC HOUSING

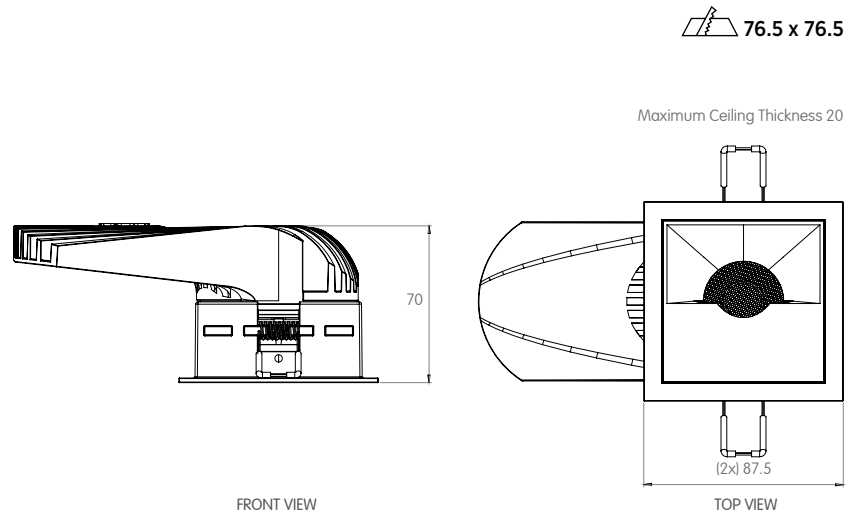


### IC HOUSING & AIRTIGHT

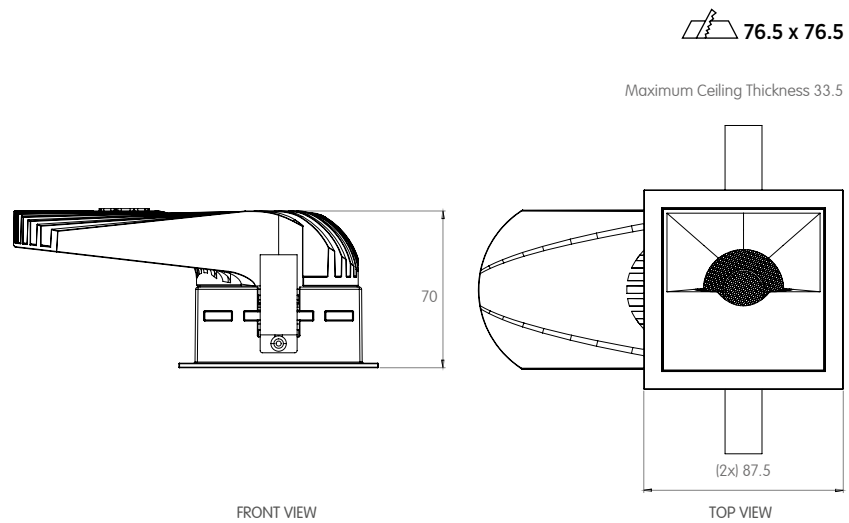


**MOUNTING FLEXIBILITY**  
Per Millimeter

**TRIM TORSION SPRINGS**



**TRIM CONSTANT FORCE SPRINGS**



**DELIVERED LUMEN OUTPUT**

Output	Watts	CRI +90			
<b>STATIC-WHITE</b>		<b>2700K</b>	<b>3000K</b>	<b>4000K</b>	
L	9W	482 lm	495 lm	507 lm	
M	11W	579 lm	605 lm	617 lm	
H	13W	689 lm	715 lm	727 lm	
<b>DIM-TO-WARM 3000K-1800K</b>		<b>3000K</b>			
D	8W	385 lm			
W	12W	590 lm			
<b>TUNABLE WHITE 2700K-6500K</b>		<b>2700K</b>			<b>6500K</b>
U	8W	400 lm			468 lm
A	12W	562 lm			650 lm
<b>RGBW</b>		<b>R</b>	<b>G</b>	<b>B</b>	<b>W</b>
L	2W	20 lm	130 lm	20 lm	100 lm
C	8W				

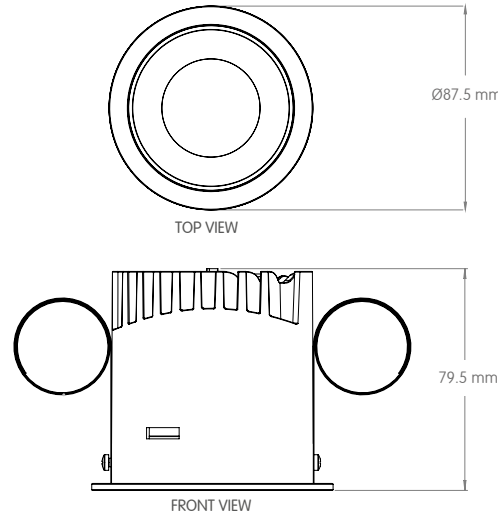
# CHAMELEON R3"

## Streamline



- Up to 890lm delivered output
- 0-10V and ELV dimming
- Remodel, Non-IC, IC, and IC airtight (Chicago Plenum) Housings available
- Trim, trimless and millwork mounting options
- High CRI, up to +97 CRI, available upon request
- Dim-to-Warm capability 3000K to 1800K
- Tunable White capability 2700K to 5000K
- 5 years limited warranty
- Chicago plenum rated

\* Downlight is inherently IC rated per ETL testing to UL1598 standard and can be installed without a housing when specified with Standard Output (11 Watts). LED driver current is factory set at 260mA.



### HOUSING SPECS

Code example: **CE-L10R9**

Series	Power/Output	Voltage	Control	Housing	Emergency
<b>CE</b>	<b>L<sup>1</sup></b> 9W (850lm)	<b>1</b> 120V	<b>0</b> Non-Dim	<b>R</b> Remodel	<b>N</b> No
	<b>M<sup>1</sup></b> 11W (1050lm)	<b>U</b> Universal 120V to 277V	<b>1</b> 0-10 to 1%	<b>N</b> Non-IC	<b>9</b> 90 mins
	<b>H<sup>1</sup></b> 13W (1250lm)		<b>2</b> 0-10 fade-off	<b>I<sup>5</sup></b> IC	
	<b>D<sup>2</sup></b> 8W (565lm)		<b>D</b> Dali	<b>A<sup>5</sup></b> Airtight	
	<b>W<sup>2</sup></b> 12W (800lm)		<b>P</b> Phase ELV & Triac	<b>O</b> No Housing	
	<b>U<sup>3</sup></b> 8W (1010lm)		<b>L</b> Lutron		
	<b>A<sup>3</sup></b> 12W (1440lm)		<b>X</b> DMX		
	<b>C<sup>4</sup></b> 8W (180lm)				

### MODULE SPECS

The Module should have the same Power as the Housing

Code example: **CE-LR0-FWP-WW-S927-T**

P/O	Mounting	Trim Color	Ref. Style	Ref. Color	IP Rating	Optics Type	LED CRI	LED CCT	Accessories (Secondary)
<b>CE</b>	<b>R0</b> Round Trimless	<b>F</b> <b>W</b> White	<b>B</b> Beveled	<b>W</b> Flat White	<b>D</b> Dry	<b>S</b> 10°	<b>9</b> 90	<b>27</b> 2700K	<b>N</b> No Accessories
	<b>R1</b> Round Trim	<b>B</b> Black	<b>P</b> Pinhole	<b>B</b> Flat Black	<b>W</b> Wet	<b>M</b> 25°	<b>H</b> Thrive	<b>30</b> 3000K	<b>T</b> Clear Lens
	<b>R3</b> Round Millwork	<b>S</b> Grey		<b>N</b> Black Nickel		<b>F</b> 35°		<b>35</b> 3500K	<b>L</b> Diffuse lens
		<b>X</b> Custom		<b>C</b> Specular Chrome		<b>W</b> 50°		<b>40</b> 4000K	<b>F</b> Solite Lens
				<b>D</b> Diffuse Chrome				<b>WD<sup>6</sup></b> 3000K - 1800K	<b>M</b> Mixing
				<b>G</b> Bright Gold				<b>TW<sup>7</sup></b> 2700K - 5000K	
				<b>E</b> Diffuse Gold				<b>CC</b> RGBW	

For other beam option, refer to P2

For more info about the placement of the accessories, please consult the schematic on P4.

### Notes:

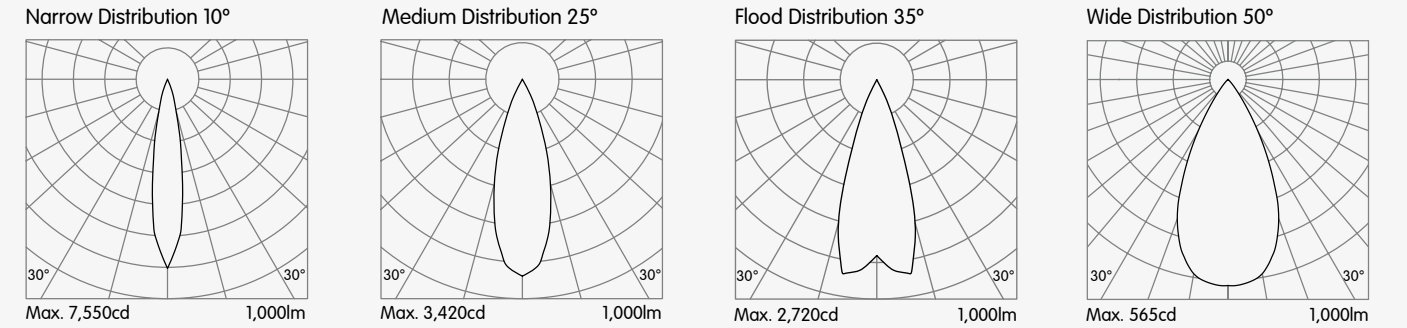
<sup>1</sup> Denotes output at 3000K, unless otherwise noted.  
<sup>2</sup> Denotes output specific to Dim-to-Warm at 3000K.  
<sup>3</sup> Denotes output specific to Tunable White at full on.

<sup>4</sup> Denotes output at White, 3000K.  
<sup>5</sup> Chicago Plenum rated.  
<sup>6</sup> Dim-to-Warm only available in CRI +90.  
<sup>7</sup> Tunable White available in 0-10V, DMX and DALI.

Consult factory for lead-times.  
 Bold Lighting reserves the right to make technical changes without notice.

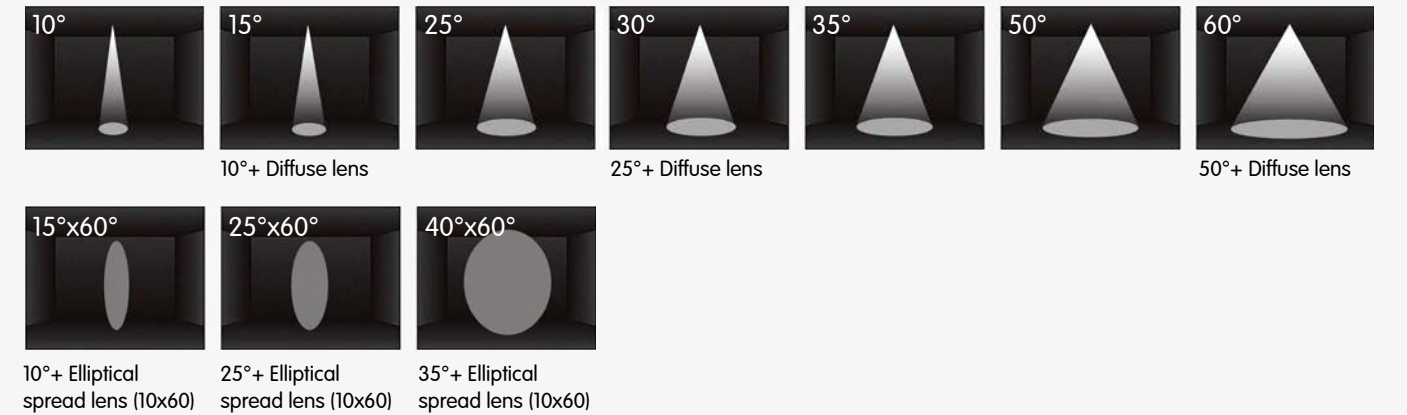
## OPTICAL FLEXIBILITY

### Photometric data: Type C Polar Curves

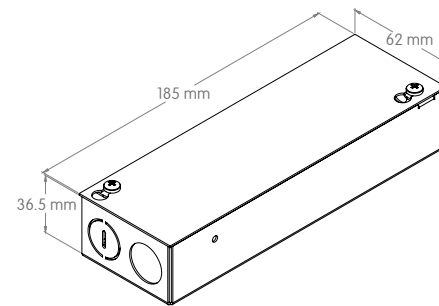


Notes:  
 Other beam distribution available on demand. Please consult factory.

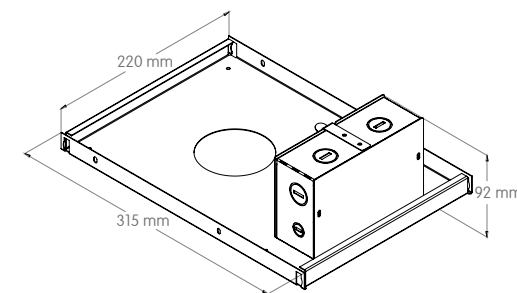
### Beam distribution and combination



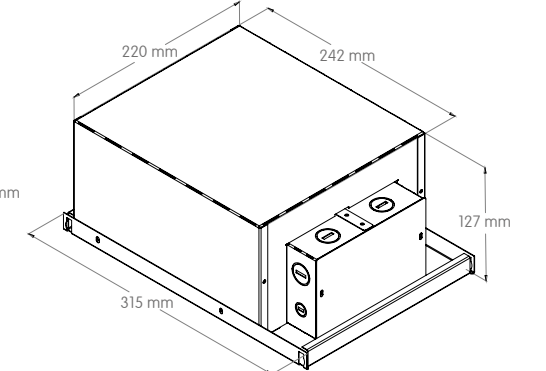
### REMODEL HOUSING



### NON-IC HOUSING

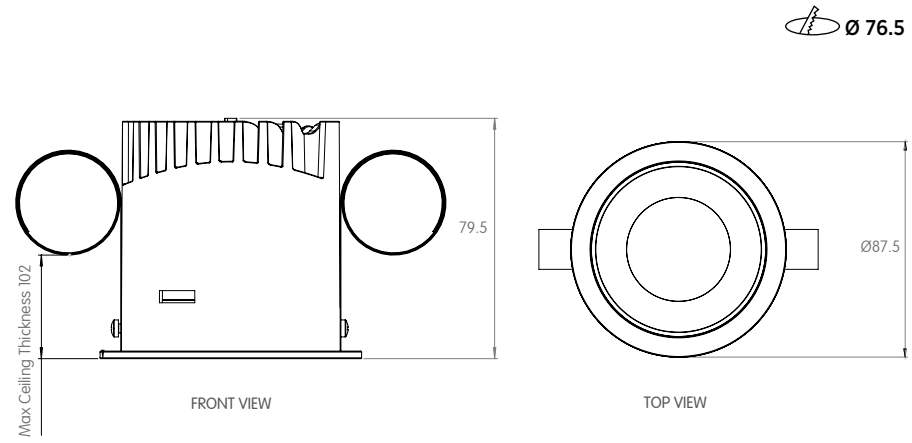


### IC HOUSING & AIRTIGHT

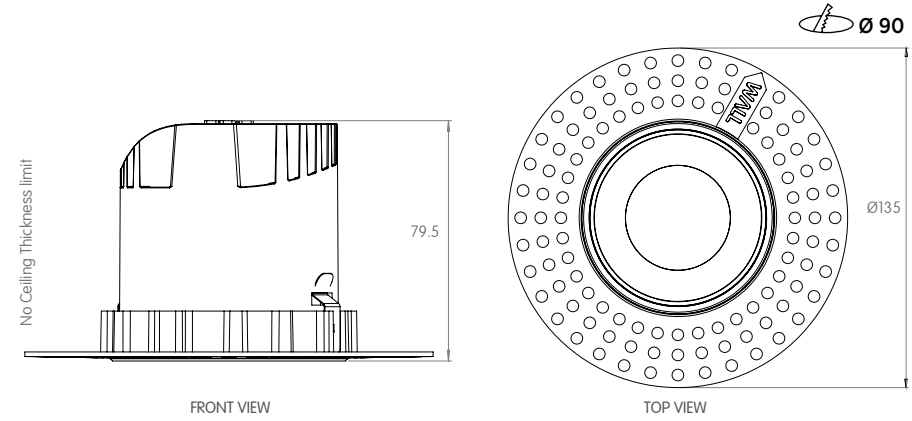


**MOUNTING FLEXIBILITY**  
Per Millimeter

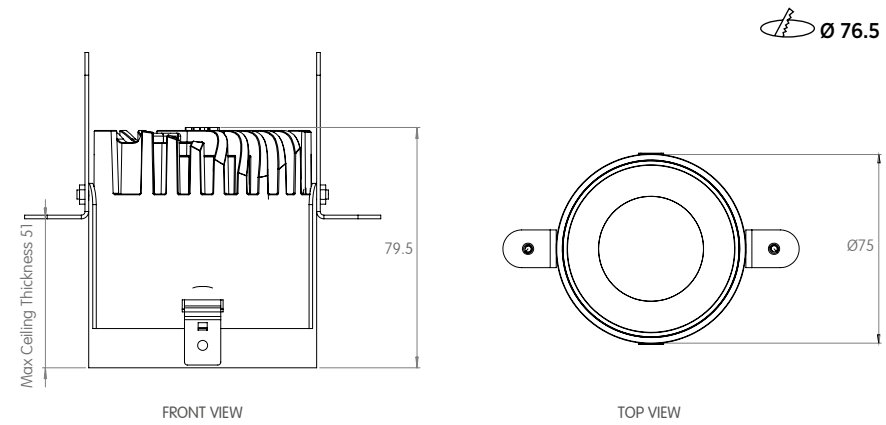
**TRIM CONSTANT FORCE SPRINGS**



**TRIMLESS**



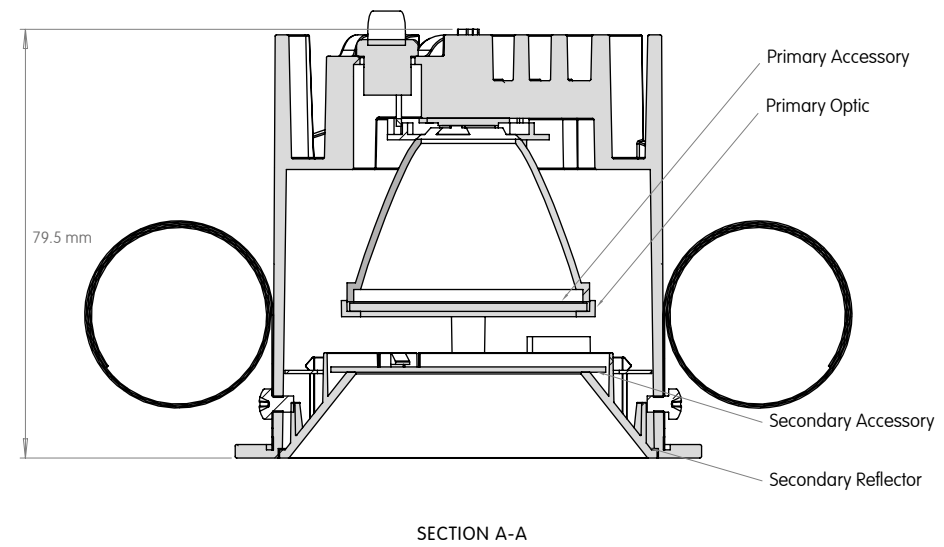
**MILLWORK**



**DELIVERED LUMEN OUTPUT**

Output	Watts	CRI +90			
<b>STATIC-WHITE</b>		<b>2700K</b>	<b>3000K</b>	<b>4000K</b>	
L	9W	816 lm	850 lm	870 lm	
M	11W	1022 lm	1050 lm	1071 lm	
H	13W	1207 lm	1250 lm	1264 lm	
<b>DIM-TO-WARM</b> 3000K-1800K		<b>3000K</b>			
D	8W	565 lm			
W	12W	800 lm			
<b>TUNABLE WHITE</b> 2700K-6500K		<b>2700K</b>	<b>6500K</b>		
U	8W	650 lm	1010 lm		
A	12W	1225 lm	1440 lm		
<b>RGBW</b>		<b>R</b>	<b>G</b>	<b>B</b>	<b>W</b>
L	2W	50 lm	240 lm	50 lm	180 lm
C	8W				

**ACCESSORIES SCHEMATIC**



# CHAMELEON R3"

## Streamline Wallwash



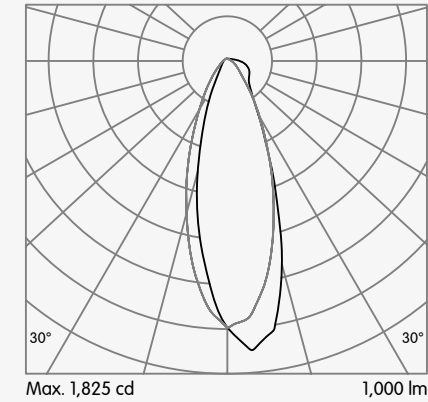
- Up to 570lm delivered output
- 0-10V and ELV dimming
- Remodel, Non-IC, IC, and IC airtight (Chicago Plenum) Housings available
- Trim, trimless and millwork mounting options
- High CRI, up to +97 CRI, available upon request
- Dim-to-Warm capability 3000K to 1800K
- Tunable White capability 2700K to 5000K
- 5 years limited warranty
- Chicago plenum rated

\* Downlight is inherently IC rated per ETL testing to UL1598 standard and can be installed without a housing when specified with Standard Output (11 Watts). LED driver current is factory set at 260mA.

### OPTICAL FLEXIBILITY

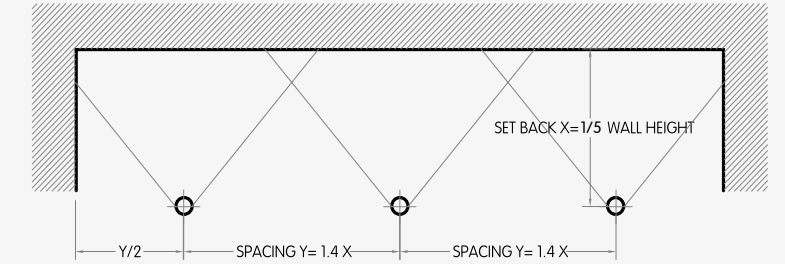
#### Photometric data: Type C Polar Curves

##### Wallwash Distribution



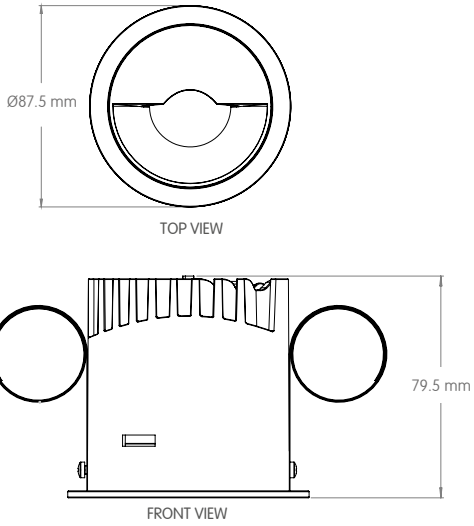
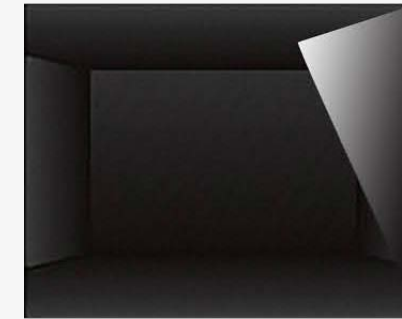
##### Wallwasher optimal spacing

##### Plan View



#### Beam distribution

##### Wallwash



#### HOUSING SPECS

Code example: **CE-L10R9**

Series	Power/Output	Voltage	Control	Housing	Emergency
<b>CE</b>	<b>L<sup>1</sup></b> 9W (495lm)	<b>1</b> 120V	<b>0</b> Non-Dim	<b>R</b> Remodel	<b>N</b> No
	<b>M<sup>1</sup></b> 11W (605lm)	<b>U</b> Universal 120V to 277V	<b>1</b> 0-10 to 1%	<b>N</b> Non-IC	<b>9</b> 90 mins
	<b>H<sup>1</sup></b> 13W (715lm)		<b>2</b> 0-10 fade-off	<b>I<sup>5</sup></b> IC	
	<b>D<sup>2</sup></b> 8W (385lm)		<b>D</b> Dali	<b>A<sup>5</sup></b> Airtight	
	<b>W<sup>2</sup></b> 12W (590lm)		<b>P</b> Phase ELV & Triac	<b>O</b> No Housing	
	<b>U<sup>3</sup></b> 8W (468lm)		<b>L</b> Lutron		
	<b>A<sup>3</sup></b> 12W (650lm)		<b>X</b> DMX		
	<b>C<sup>4</sup></b> 8W (100lm)				

#### MODULE SPECS

The Module should have the same Power as the Housing

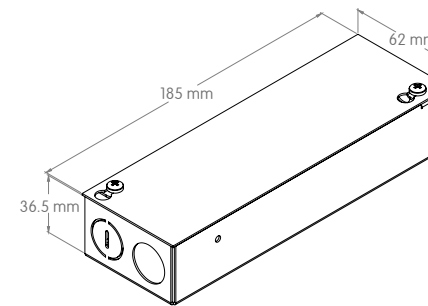
Code example: **CE-LR0-WW-WW-S927**

P/O	Mounting	Trim Color	Ref. Color	IP Rating	Optics Type	LED CRI	LED CCT	
<b>CE</b>	Refer to Housing Output	<b>W</b>	<b>W</b> White	<b>W</b> Flat White	<b>D</b> Dry	<b>W</b> Washer	<b>9</b> 90	<b>27</b> 2700K
			<b>B</b> Black	<b>B</b> Flat Black	<b>W</b> Wet		<b>H</b> Thrive	<b>30</b> 3000K
			<b>S</b> Grey	<b>N</b> Black Nickel				<b>35</b> 3500K
			<b>X</b> Custom	<b>C</b> Specular Chrome				<b>40</b> 4000K
				<b>D</b> Diffuse Chrome				<b>WD<sup>6</sup></b> 3000K - 1800K
				<b>G</b> Bright Gold				<b>TW<sup>7</sup></b> 2700K - 5000K
				<b>E</b> Diffuse Gold				<b>CC</b> RGBW

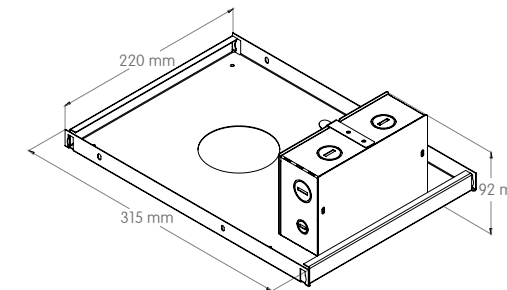
#### Notes:

- Denotes output at 3000K, unless otherwise noted.
  - Denotes output specific to Dim-to-Warm at 3000K.
  - Denotes output specific to Tunable White at full on.
  - Denotes output at White, 3000K.
  - Not applicable for ELV dimming.
  - Chicago Plenum rated.
  - Dim-to-Warm only available in CRI +90.
  - Tunable White available in 0-10V, DMX and DALI.
- Consult factory for lead-times. Bold Lighting reserves the right to make technical changes without notice.

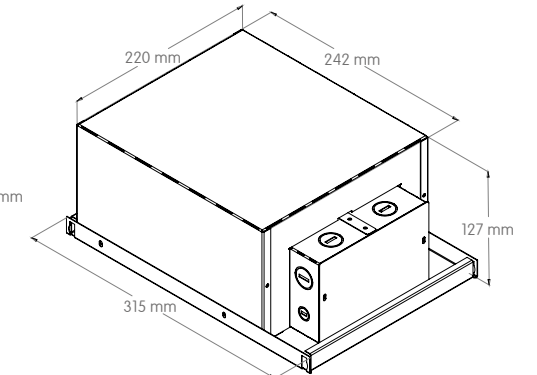
#### REMODEL HOUSING



#### NON-IC HOUSING

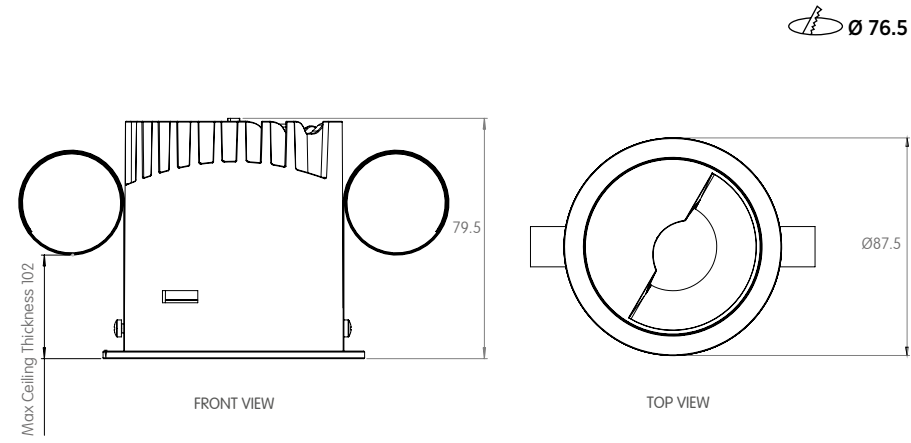


#### IC HOUSING & AIRTIGHT

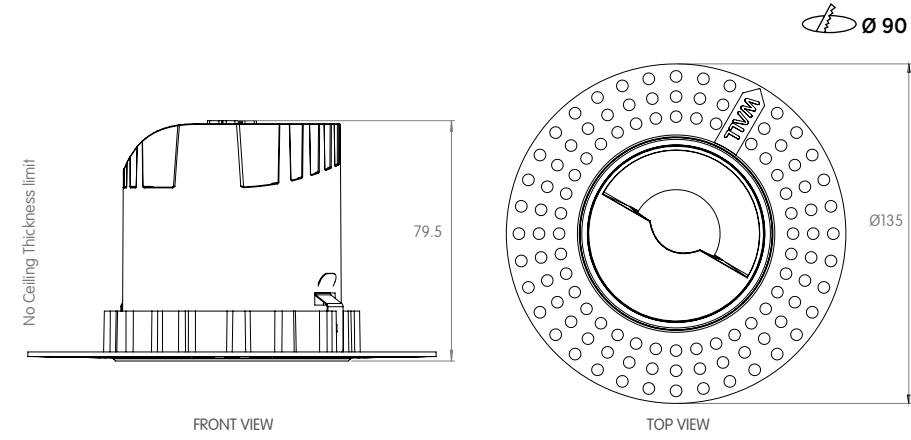


**MOUNTING FLEXIBILITY**  
Per Millimeter

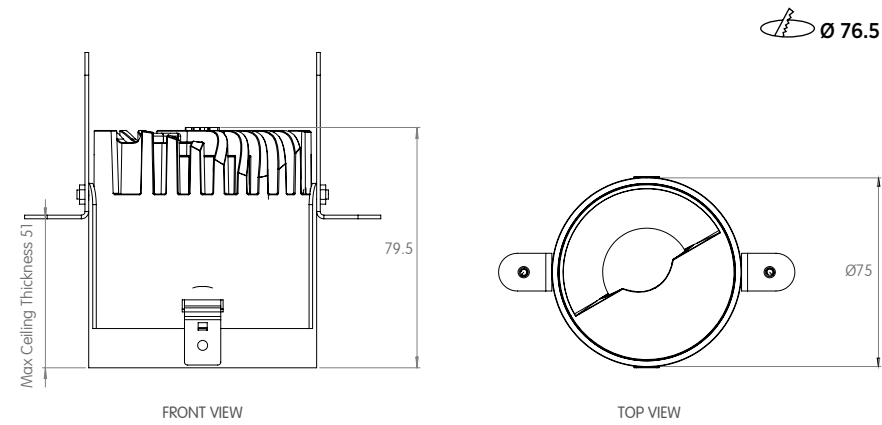
**TRIM CONSTANT FORCE SPRINGS**



**TRIMLESS**



**MILLWORK**



**DELIVERED LUMEN OUTPUT**

Output	Watts	CRI +90			
<b>STATIC-WHITE</b>		<b>2700K</b>	<b>3000K</b>	<b>4000K</b>	
L	9W	482 lm	495 lm	507 lm	
M	11W	579 lm	605 lm	617 lm	
H	13W	689 lm	715 lm	727 lm	
<b>DIM-TO-WARM</b> 3000K-1800K		<b>3000K</b>			
D	8W	385 lm			
W	12W	590 lm			
<b>TUNABLE WHITE</b> 2700K-6500K		<b>2700K</b>	<b>6500K</b>		
U	8W	400 lm	468 lm		
A	12W	562 lm	650 lm		
<b>RGBW</b>		<b>R</b>	<b>G</b>	<b>B</b>	<b>W</b>
L	2W	20 lm	130 lm	20 lm	100 lm
C	8W				



**CHAMELEON 4 INCH**

# CHAMELEON R4"

## Fixed



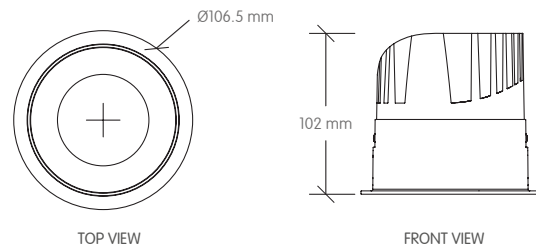
- Up to 2,045lm delivered output
- Trim, trimless and millwork mounting options
- High CRI, up to +97 CRI, available upon request
- Dim-to-Warm capability 3000K to 1800K
- Tunable White capability 2700K to 5000K
- Wide Range of optical options
- 5 years limited warranty
- Chicago plenum rated

\* Downlight is inherently IC rated per ETL testing to UL1598 standard and can be installed without a housing when specified with Standard Output (11 Watts). LED driver current is factory set at 260mA.

### HOUSING SPECS

Code example: **C4-L10R9**

Series	Power/Output	Voltage	Control	Housing	Emergency
<b>C4</b>	<b>L<sup>1</sup></b> 10W (1296lm)	<b>1</b> 120V	<b>O</b> Non-Dim	<b>R</b> Remodel	<b>N</b> No
	<b>M<sup>1</sup></b> 12W (1512lm)	<b>U</b> Universal 120V to 277V	<b>1</b> 0-10 to 1%	<b>N</b> Non-IC	<b>9</b> 90 mins
	<b>H<sup>1</sup></b> 18W (2100lm)		<b>2</b> 0-10 fade-off	<b>F<sup>5</sup></b> IC	
	<b>V<sup>1</sup></b> 22W (2700lm)		<b>D</b> Dali	<b>A<sup>5</sup></b> Airtight	
	<b>D<sup>2</sup></b> 10W (950lm)		<b>P</b> Phase ELV & Triac	<b>O</b> No Housing	
	<b>W<sup>2</sup></b> 18W (1845lm)		<b>L</b> Lutron		
	<b>U<sup>3</sup></b> 10W (1000lm)		<b>X</b> DMX		
	<b>A<sup>3</sup></b> 18W (1396lm)				
	<b>C<sup>4</sup></b> 16W (374lm)				



### MODULE SPECS

The Module should have the same Power as the Housing

Code example: **C4-LR0-FWP-WW-S927-**

P/O	Mounting	Trim Color	Ref. Style	Ref. Color	IP Rating	Optics Type	LED CRI	LED CCT	Accessories (Primary)	Accessories (Secondary)
<b>C4</b>	<b>R0</b> Round Trimless	<b>F</b> <b>W</b> White	<b>B</b> Beveled	<b>W</b> Flat White	<b>D</b> Dry	<b>S</b> 10°	<b>9</b> 90	<b>27</b> 2700K	<b>O</b> No Accessories	<b>N</b> No Accessories
	<b>R1</b> Round Trim	<b>B</b> Black	<b>P</b> Pinhole	<b>B</b> Flat Black	<b>W</b> Wet	<b>M</b> 25°	<b>H</b> Thrive	<b>30</b> 3000K	<b>C</b> Clear Lens	<b>T</b> Clear Lens
	<b>R2</b> Round Trim with Constant Force Spring	<b>S</b> Grey		<b>N</b> Black Nickel		<b>F</b> 35°		<b>35</b> 3500K	<b>D<sup>7</sup></b> Diffuse lens	<b>L</b> Diffuse lens
	<b>R3</b> Round Millwork	<b>X</b> Custom		<b>C</b> Specular Chrome		<b>W</b> 50°		<b>40</b> 4000K	<b>E<sup>8</sup></b> Elliptical Lens	<b>F</b> Solite Lens
				<b>D</b> Diffuse Chrome				<b>WD</b> 3000K - 1800K	<b>H</b> Honeycomb Lens	
				<b>G</b> Bright Gold				<b>TW<sup>6</sup></b> 2700K - 5000K	<b>S</b> Solite Lens	
				<b>E</b> Diffuse Gold				<b>CC</b> RGBW	<b>M</b> Mixing	

For other beam option, refer to P2

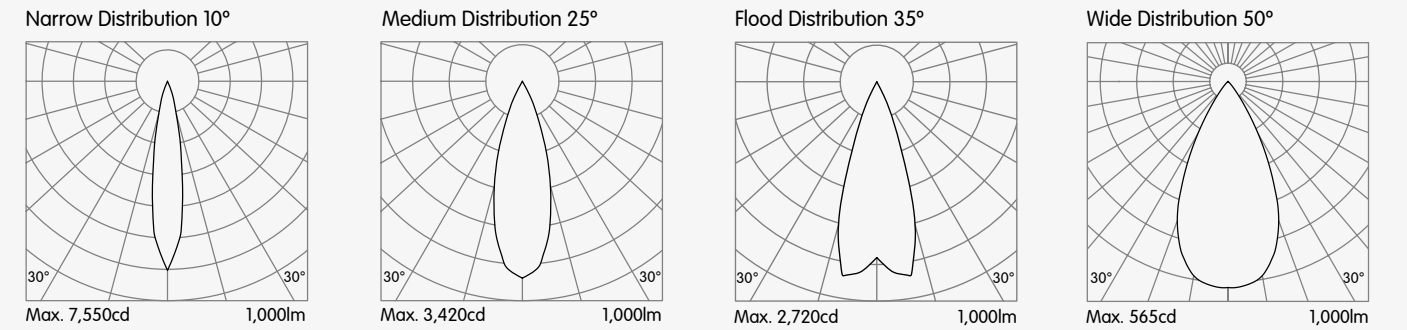
For more info about the placement of the accessories, please consult the schematic on P4

### Notes:

- Denotes output at 3000K, unless otherwise noted.
  - Denotes output specific to Dim-to-Warm at 3000K.
  - Denotes output specific to Tunable White at full on.
  - Denotes output at White, 3000K.
  - Chicago Plenum rated.
  - Tunable White available in 0-10V, DMX and DALI.
  - Diffuse lenses available in different angles.
  - Elliptical lenses available in different angles.
- Consult factory for lead-times. Bold Lighting reserves the right to make technical changes without notice.

### OPTICAL FLEXIBILITY

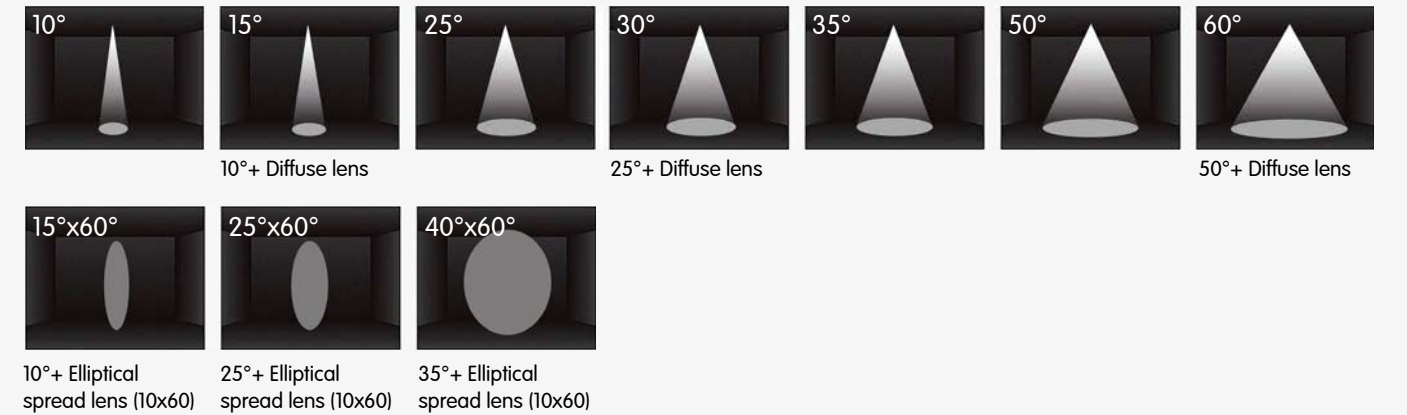
#### Photometric data: Type C Polar Curves



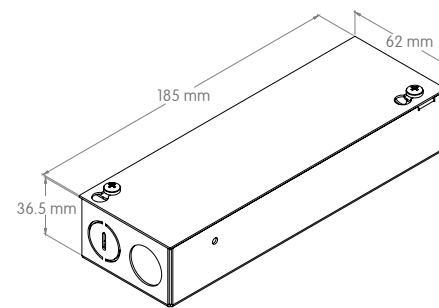
#### Notes:

Other beam distribution available on demand. Please consult factory.

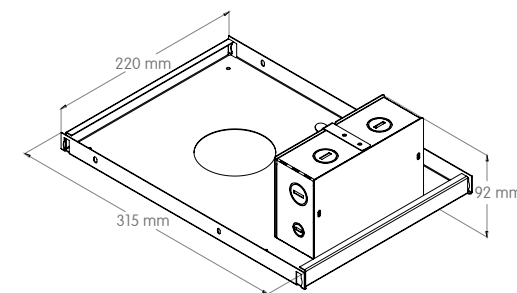
#### Beam distribution and combination



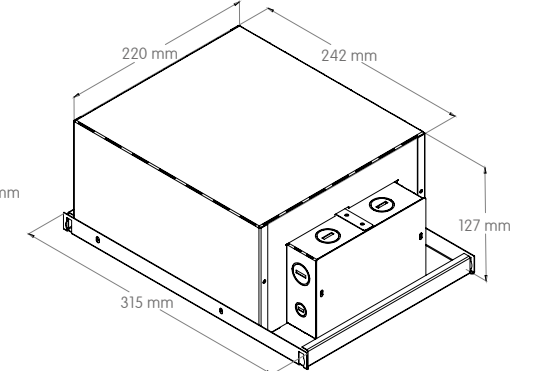
#### REMODEL HOUSING



#### NON-IC HOUSING

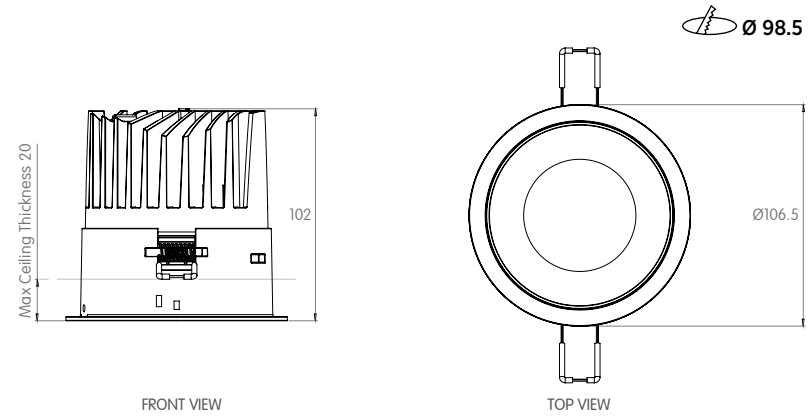


#### IC HOUSING & AIRTIGHT

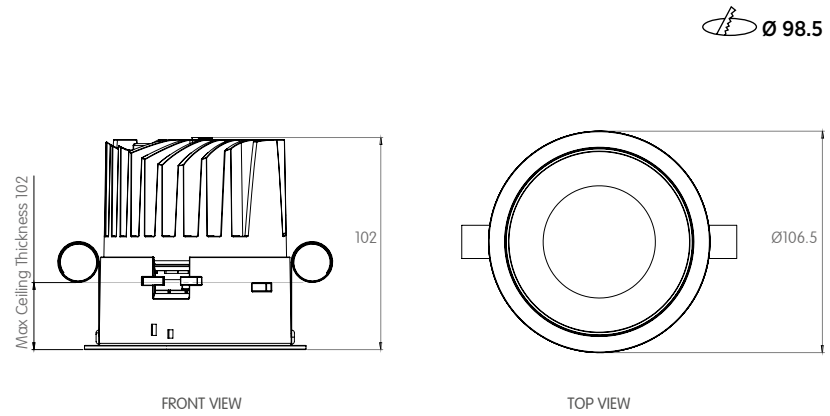


**MOUNTING FLEXIBILITY**  
Per Millimeter

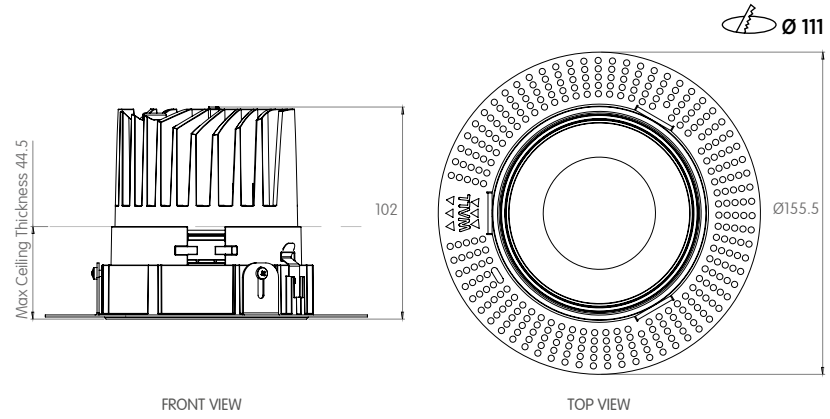
**TRIM TORSION SPRINGS**



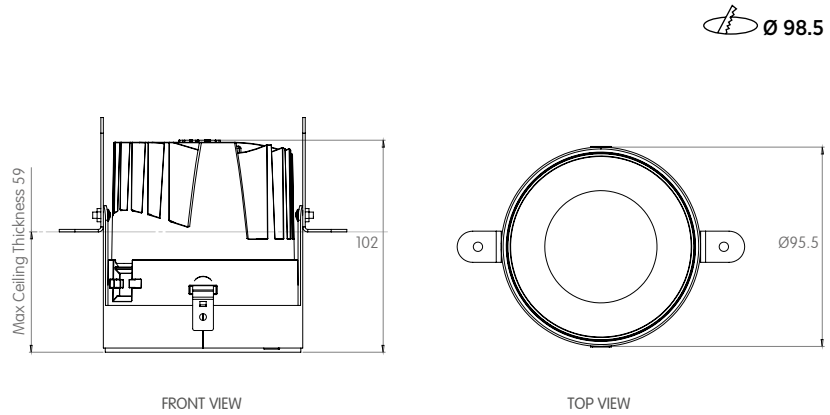
**TRIM CONSTANT FORCE SPRINGS**



**TRIMLESS**



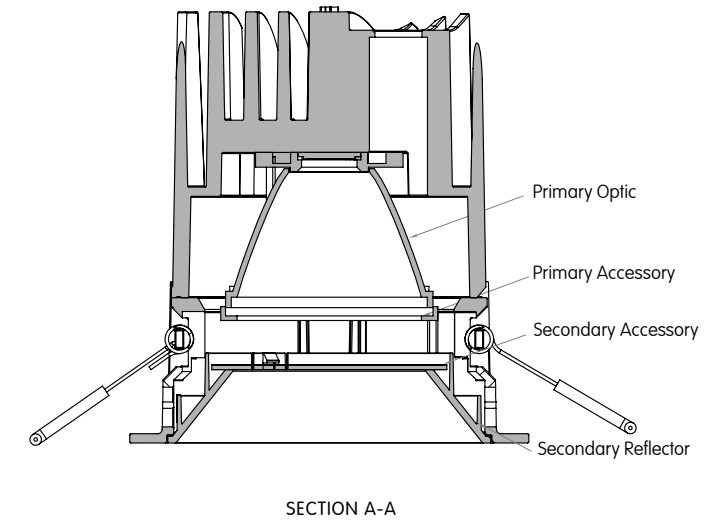
**MILLWORK**



**DELIVERED LUMEN OUTPUT**

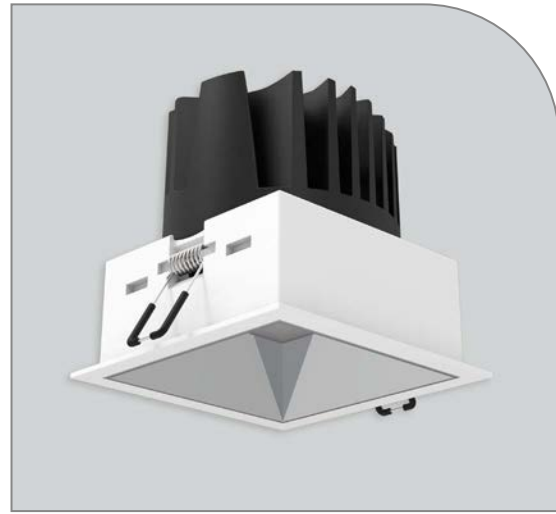
Output		Watts		CRI +90		
<b>STATIC-WHITE</b>				<b>2700K</b>	<b>3000K</b>	<b>4000K</b>
<b>L</b>	10W			1098 lm	1296 lm	1320 lm
<b>M</b>	12W			1450 lm	1512 lm	1597 lm
<b>H</b>	18W			1950 lm	2100 lm	2190 lm
<b>V</b>	22W			2645 lm	2700 lm	2746 lm
<b>DIM-TO-WARM</b> 3000K-1800K				<b>3000K</b>		
<b>D</b>	10W			950 lm		
<b>W</b>	18W			1845 lm		
<b>TUNABLE WHITE</b> 2700K-6500K				<b>2700K</b>		<b>6500K</b>
<b>U</b>	10W			849 lm		1000 lm
<b>A</b>	18W			1152 lm		1396 lm
<b>RGBW</b>				<b>R</b>	<b>G</b>	<b>B</b>   <b>W</b>
<b>L</b>	4W			86 lm	498 lm	101 lm   374 lm
<b>C</b>	16W					

**ACCESSORIES SCHEMATIC**



# CHAMELEON S4"

## Fixed



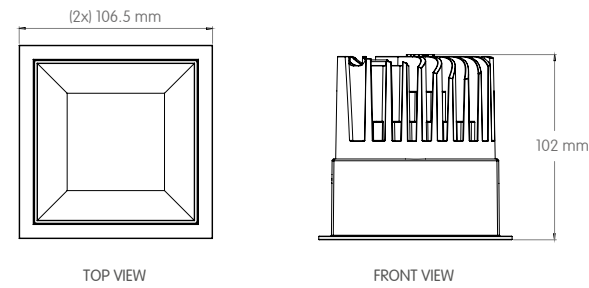
- Up to 2,045lm delivered output
- Trim, trimless and millwork mounting options
- High CRI, up to +97 CRI, available upon request
- Dim-to-Warm capability 3000K to 1800K
- Tunable White capability 2700K to 5000K
- Wide Range of optical options
- 5 years limited warranty
- Chicago plenum rated

\* Downlight is inherently IC rated per ETL testing to UL1598 standard and can be installed without a housing when specified with Standard Output (11 Watts). LED driver current is factory set at 260mA.

### HOUSING SPECS

Code example: **C4-L10R9**

Series	Power/Output	Voltage	Control	Housing	Emergency
<b>C4</b>	L <sup>1</sup> 10W (1296lm)	1 120V	0 Non-Dim	R Remodel	N No
	M <sup>1</sup> 12W (1512lm)	U Universal 120V to 277V	1 0-10 to 1%	N Non-IC	9 90 mins
	H <sup>1</sup> 18W (2100lm)		2 0-10 fade-off	I <sup>5</sup> IC	
	V <sup>1</sup> 22W (2700lm)		D Dali	A <sup>5</sup> Airtight	
	D <sup>2</sup> 10W (1950lm)		P Phase ELV & Triac	O No Housing	
	W <sup>2</sup> 18W (1845lm)		L Lutron		
	U <sup>3</sup> 10W (1000lm)		X DMX		
	A <sup>3</sup> 18W (1396lm)				
	C <sup>4</sup> 16W (374lm)				



### MODULE SPECS

The Module should have the same Power as the Housing

Code example: **C4-LS0-FW-WW-S927-0-N**

P/O	Mounting	Trim Color	Ref. Color	IP Rating	Optics Type	LED CRI	LED CCT	Accessories (Primary)	Accessories (Secondary)
<b>C4</b>	S0 Square Trimless	<b>F</b> <b>W</b> White	<b>W</b> Flat White	<b>D</b> Dry	<b>S</b> 10°	<b>9</b> 90	<b>27</b> 2700K	<b>O</b> No Accessories	<b>N</b> No Accessories
	S1 Square Trim	<b>B</b> Black	<b>B</b> Flat Black	<b>W</b> Wet	<b>M</b> 25°	<b>H</b> Thrive	<b>30</b> 3000K	<b>C</b> Clear Lens	<b>T</b> Clear Lens
	S2 Square Trim with Constant Force Spring	<b>S</b> Grey	<b>N</b> Black Nickel		<b>F</b> 35°		<b>35</b> 3500K	<b>D<sup>7</sup></b> Diffuse lens	<b>L</b> Diffuse lens
	S3 Square Millwork	<b>X</b> Custom	<b>C</b> Specular Chrome		<b>W</b> 50°		<b>40</b> 4000K	<b>E<sup>8</sup></b> Elliptical Lens	<b>F</b> Solite Lens
			<b>D</b> Diffuse Chrome				<b>WD</b> 3000K - 1800K	<b>H</b> Honeycomb Lens	
			<b>G</b> Bright Gold				<b>TW<sup>6</sup></b> 2700K - 5000K	<b>S</b> Solite Lens	
			<b>E</b> Diffuse Gold				<b>CC</b> RGBW	<b>M</b> Mixing	

For other beam option, refer to P2

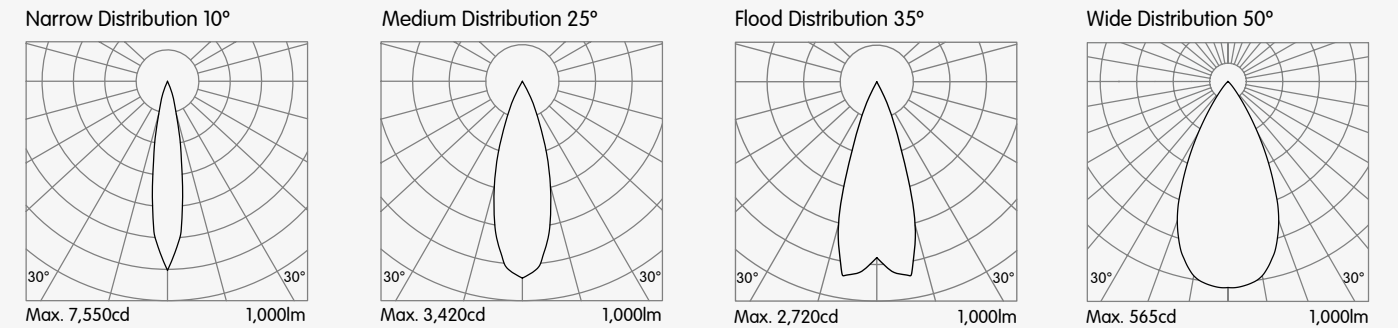
For more info about the placement of the accessories, please consult the schematic on P4

### Notes:

- Denotes output at 3000K, unless otherwise noted.
  - Denotes output specific to Dim-to-Warm at 3000K.
  - Denotes output specific to Tunable White at full on.
  - Denotes output at White, 3000K.
  - Chicago Plenum rated.
  - Tunable White available in 0-10V, DMX and DALI.
  - Diffuse lenses available in different angles.
  - Elliptical lenses available in different angles.
- Consult factory for lead-times. Bold Lighting reserves the right to make technical changes without notice.

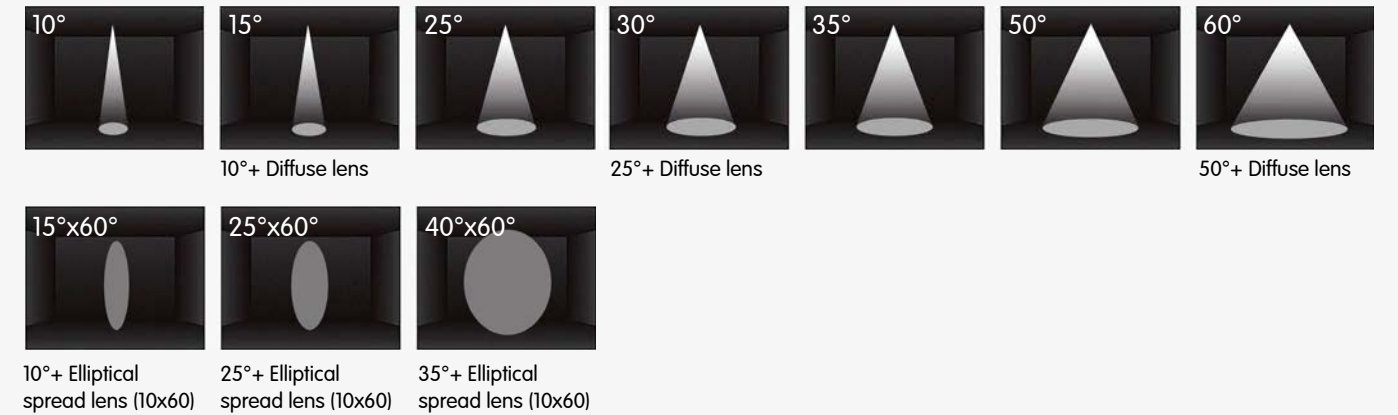
### OPTICAL FLEXIBILITY

#### Photometric data: Type C Polar Curves

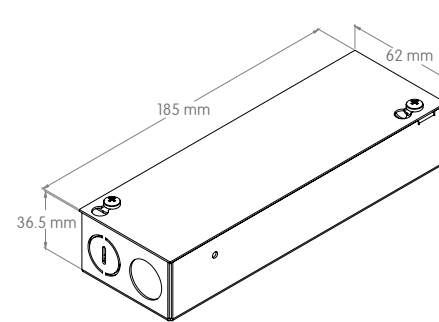


Notes:  
Other beam distribution available on demand. Please consult factory.

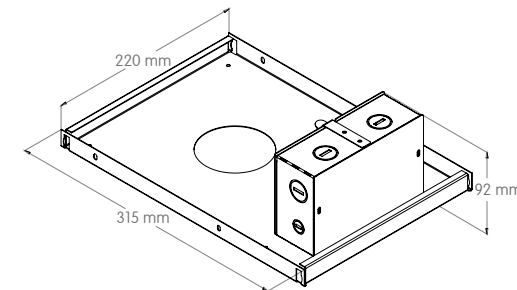
#### Beam distribution and combination



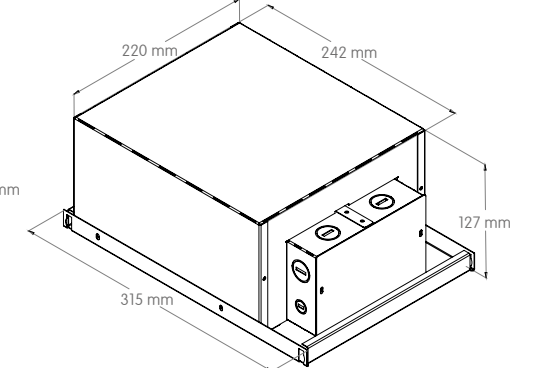
#### REMODEL HOUSING



#### NON-IC HOUSING

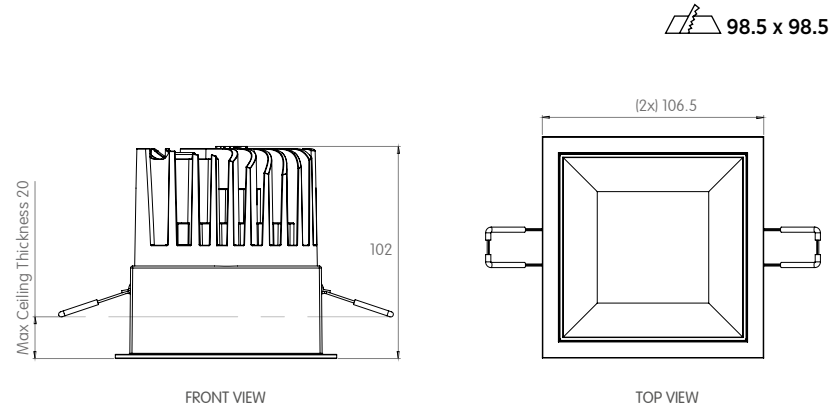


#### IC HOUSING & AIRTIGHT

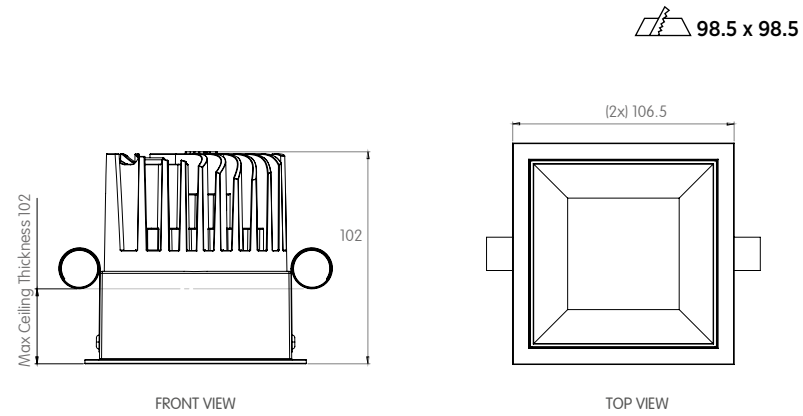


**MOUNTING FLEXIBILITY**  
Per Millimeter

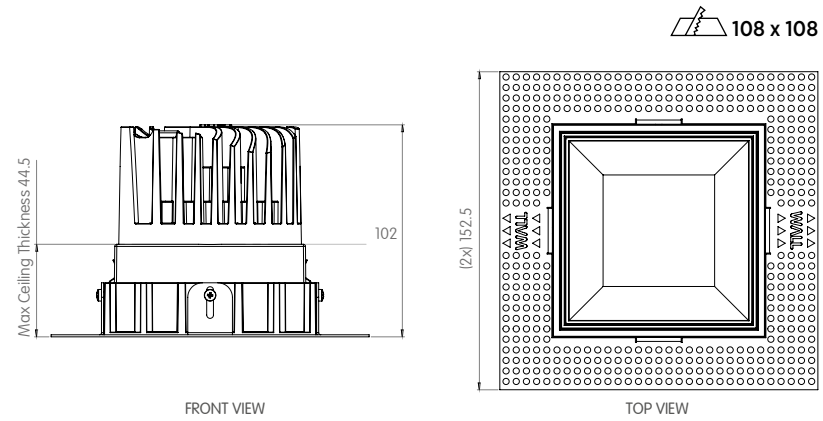
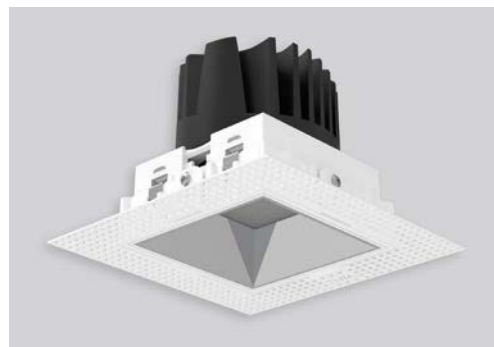
**TRIM TORSION SPRINGS**



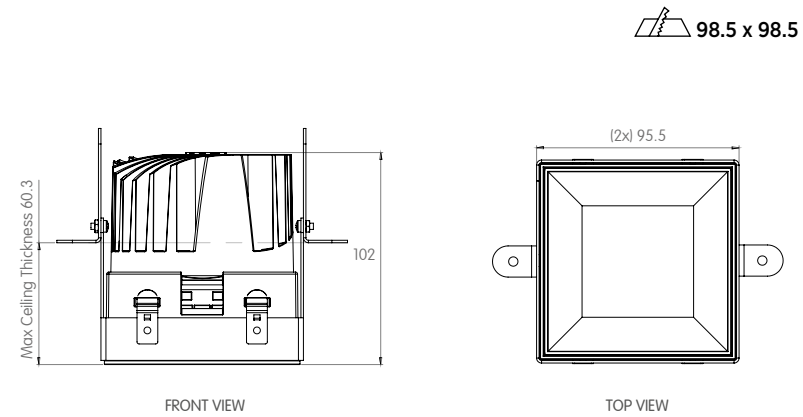
**TRIM CONSTANT FORCE SPRINGS**



**TRIMLESS**



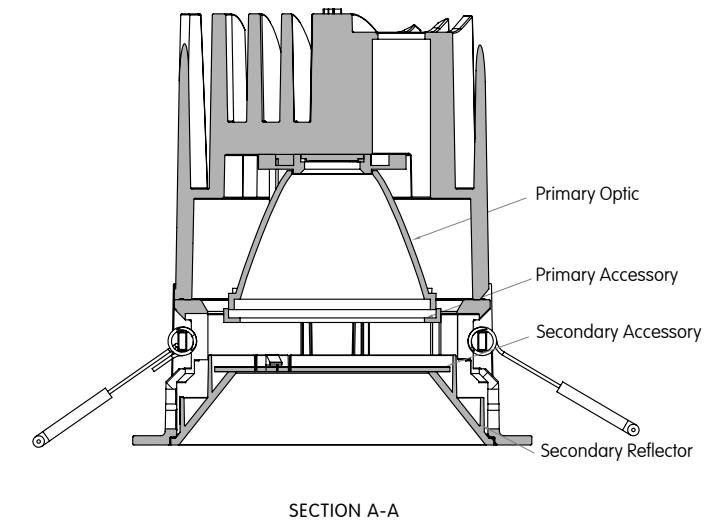
**MILLWORK**



**DELIVERED LUMEN OUTPUT**

Output	Watts	CRI +90			
<b>STATIC-WHITE</b>		<b>2700K</b>	<b>3000K</b>	<b>4000K</b>	
L	10W	1098 lm	1296 lm	1320 lm	
M	12W	1450 lm	1512 lm	1597 lm	
H	18W	1950 lm	2100 lm	2190 lm	
V	22W	2645 lm	2700 lm	2746 lm	
<b>DIM-TO-WARM 3000K-1800K</b>		<b>3000K</b>			
D	10W	950 lm			
W	18W	1845 lm			
<b>TUNABLE WHITE 2700K-6500K</b>		<b>2700K</b>	<b>6500K</b>		
U	10W	849 lm	1000 lm		
A	18W	1152 lm	1396 lm		
<b>RGBW</b>		<b>R</b>	<b>G</b>	<b>B</b>	<b>W</b>
L	4W	86 lm	498 lm	101 lm	374 lm
C	16W				

**ACCESSORIES SCHEMATIC**



# CHAMELEON R4"

## Adjustable

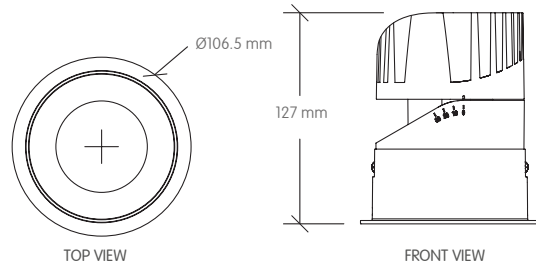


- Up to 1,907lm delivered output
- Trim, trimless and millwork mounting options
- High CRI, up to +97 CRI, available upon request
- Dim-to-Warm capability 3000K to 1800K
- Tunable White capability 2700K to 5000K
- Gear driven tilt 0° to 35° and 360° lockable rotation
- Standard 10°, 25°, 35°, 50° in addition to various beams available upon request
- 5 years limited warranty
- Chicago plenum rated

### HOUSING SPECS

Code example: **C4-L10R9**

Series	Power/Output	Voltage	Control	Housing	Emergency
<b>C4</b>	L <sup>1</sup> 10W (1080lm)	1 120V	0 Non-Dim	R Remodel	N No
	M <sup>1</sup> 12W (1260lm)	U Universal 120V to 277V	1 0-10 to 1%	N Non-IC	9 90 mins
	H <sup>1</sup> 18W (1750lm)		2 0-10 fade-off	F <sup>5</sup> IC	
	V <sup>1</sup> 22W (2250lm)		D Dali	A <sup>5</sup> Airtight	
	D <sup>2</sup> 10W (792lm)		P Phase ELV & Triac	O No Housing	
	W <sup>2</sup> 18W (1536lm)		L Lutron		
	U <sup>3</sup> 10W (834lm)		X DMX		
	A <sup>3</sup> 18W (1164lm)				
	C <sup>4</sup> 16W (312lm)				



### MODULE SPECS

The Module should have the same Power as the Housing

Code example: **C4-LR0-AW-WW-S927-0-N**

P/O	Mounting	Trim Color	Ref. Color	IP Rating	Optics Type	LED CRI	LED CCT	Accessories (Primary)	Accessories (Secondary)
<b>C4</b>	R0 Round Trimless	A W White B Black S Grey X Custom	W Flat White	D Dry	S 10°	9 90	27 2700K	O No Accessories	N No Accessories
	R1 Round Trim		B Flat Black	W Wet	M 25°	H Thrive	30 3000K	C Clear Lens	T Clear Lens
	R2 Round Trim with Constant Force Spring		N Black Nickel		F 35°		35 3500K	D <sup>7</sup> Diffuse lens	L Diffuse lens
	R3 Round Millwork		C Specular Chrome		W 50°		40 4000K	E <sup>8</sup> Elliptical Lens	F Solite Lens
			D Diffuse Chrome				WD 3000K - 1800K	H Honeycomb Lens	
			G Bright Gold				TW <sup>6</sup> 2700K - 5000K	S Solite Lens	
			E Diffuse Gold				CC RGBW	M Mixing	

For other beam option, refer to P2

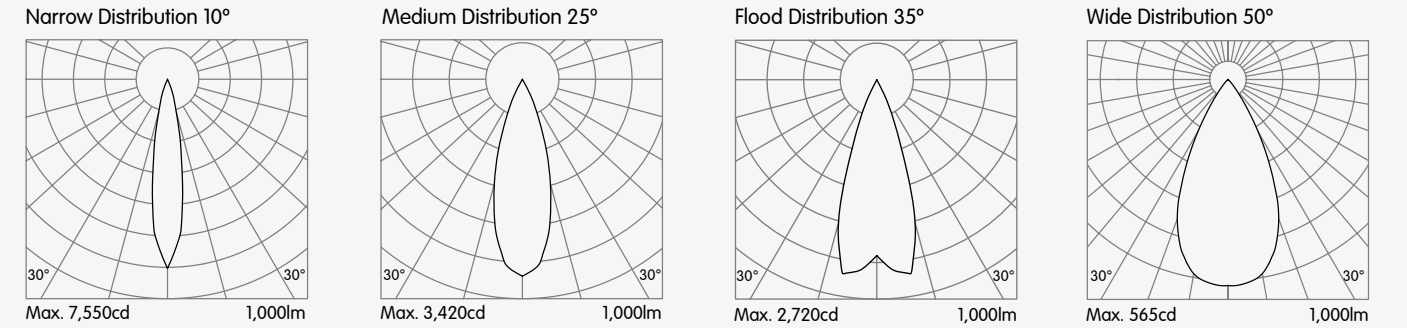
For more info about the placement of the accessories, please consult the schematic on P4

#### Notes:

- <sup>1</sup> Denotes output at 3000K, unless otherwise noted.
  - <sup>2</sup> Denotes output specific to Dim-to-Warm at 3000K.
  - <sup>3</sup> Denotes output specific to Tunable White at full on.
  - <sup>4</sup> Denotes output at White, 3000K.
  - <sup>5</sup> Chicago Plenum rated.
  - <sup>6</sup> Tunable White available in 0-10V, DMX and DALI.
  - <sup>7</sup> Diffuse lenses available in different angles.
  - <sup>8</sup> Elliptical lenses available in different angles.
- Consult factory for lead-times. Bold Lighting reserves the right to make technical changes without notice.

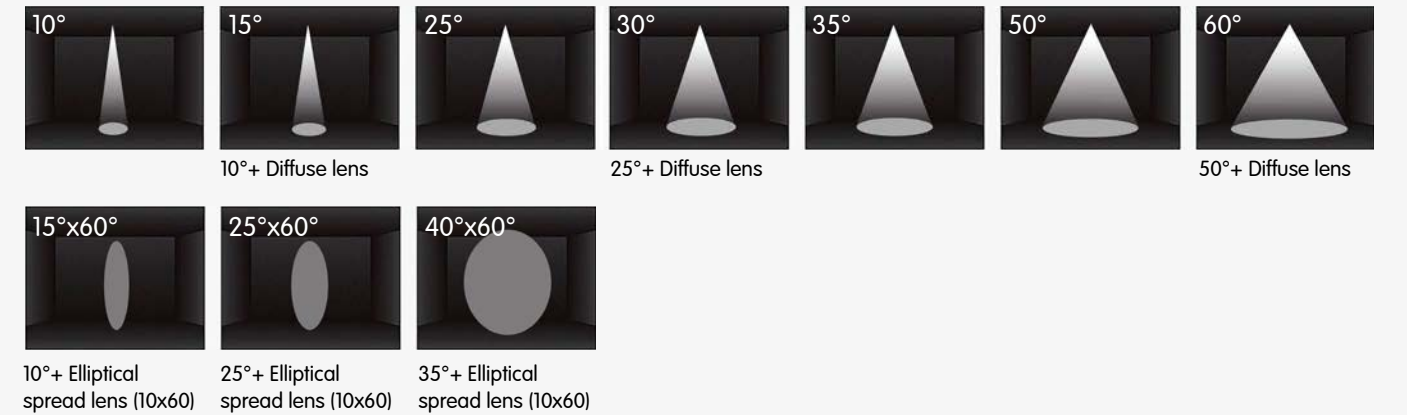
### OPTICAL FLEXIBILITY

#### Photometric data: Type C Polar Curves

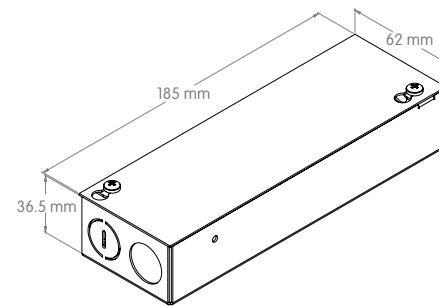


Notes:  
Other beam distribution available on demand. Please consult factory.

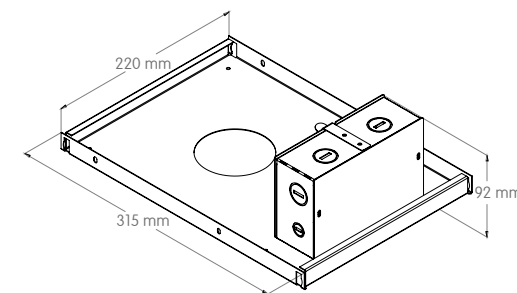
#### Beam distribution and combination



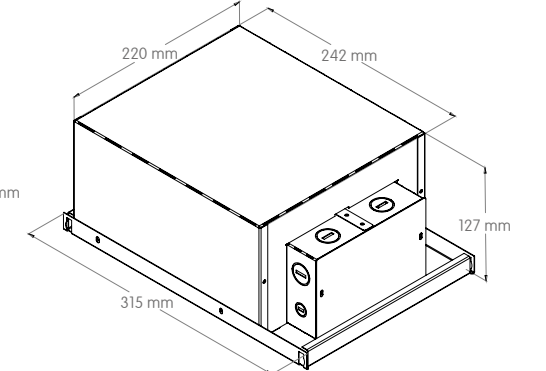
#### REMODEL HOUSING



#### NON-IC HOUSING

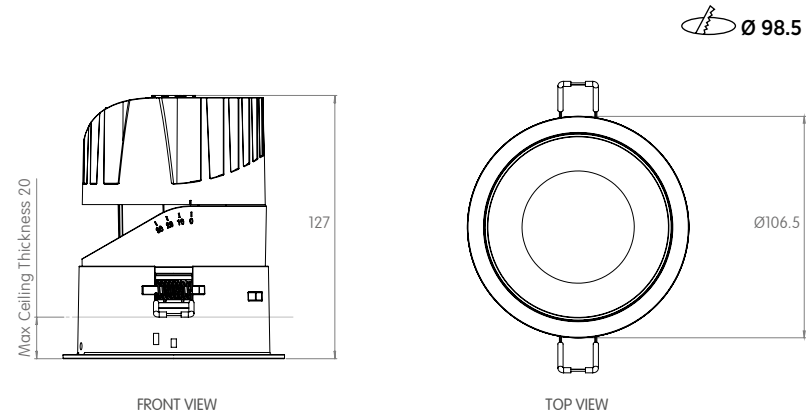


#### IC HOUSING & AIRTIGHT

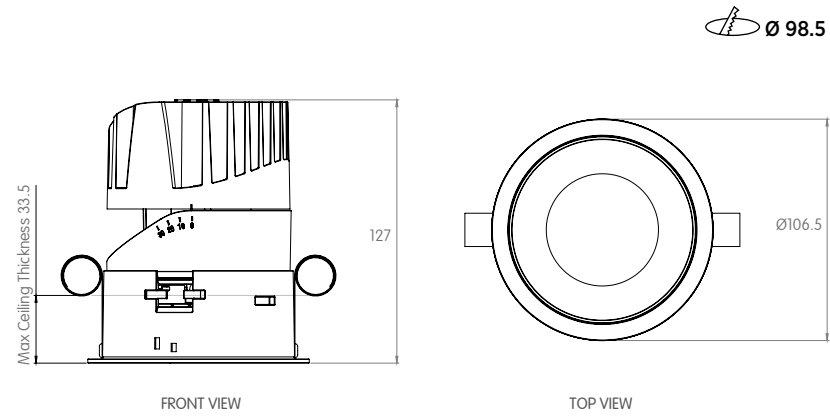


**MOUNTING FLEXIBILITY**  
Per Millimeter

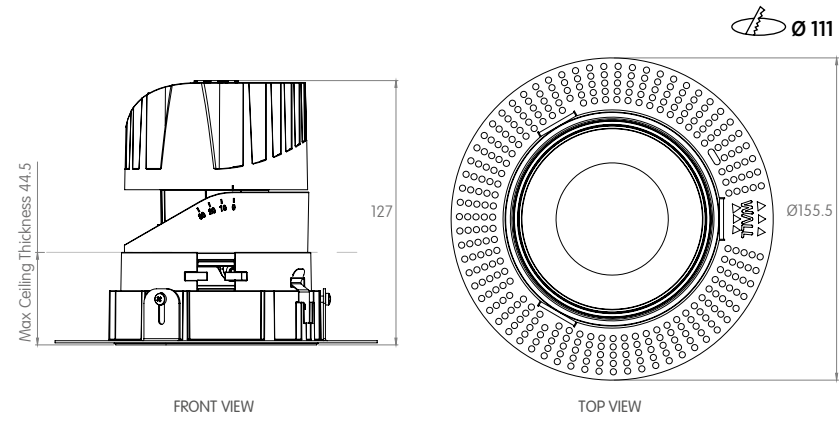
**TRIM TORSION SPRINGS**



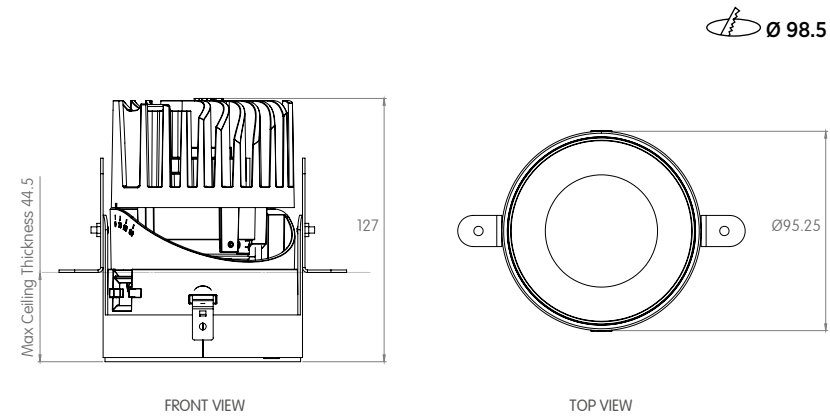
**TRIM CONSTANT FORCE SPRINGS**



**TRIMLESS**



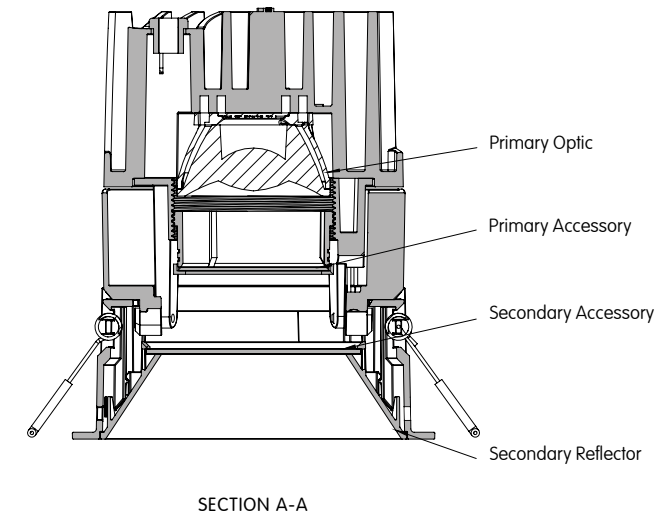
**MILLWORK**



**DELIVERED LUMEN OUTPUT**

Output	Watts	CRI +90			
<b>STATIC-WHITE</b>		<b>2700K</b>	<b>3000K</b>	<b>4000K</b>	
L	10W	915 lm	1080 lm	1100 lm	
M	12W	1248 lm	1260 lm	1331 lm	
H	18W	1650 lm	1750 lm	1864 lm	
V	22W	2204 lm	2250 lm	2288 lm	
<b>DIM-TO-WARM</b> 3000K-1800K		<b>3000K</b>			
D	10W	792 lm			
W	18W	1536 lm			
<b>TUNABLE WHITE</b> 2700K-6500K		<b>2700K</b>	<b>6500K</b>		
U	10W	708 lm	834 lm		
A	18W	960 lm	1164 lm		
<b>RGBW</b>		<b>R</b>	<b>G</b>	<b>B</b>	<b>W</b>
L	4W	72 lm	415 lm	84 lm	312 lm
C	16W				

**ACCESSORIES SCHEMATIC**





# CHAMELEON S4"

## Adjustable

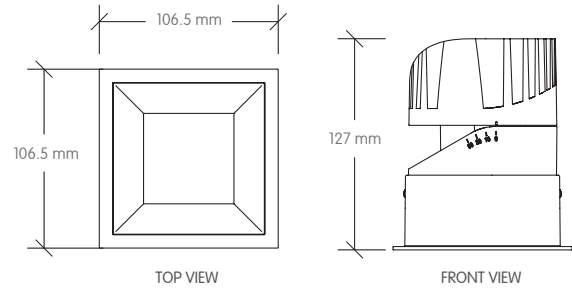


- Up to 1,907lm delivered output
- Trim, trimless and millwork mounting options
- High CRI, up to +97 CRI, available upon request
- Dim-to-Warm capability 3000K to 1800K
- Tunable White capability 2700K to 5000K
- Gear driven tilt 0° to 35° and 360° lockable rotation
- Standard 10°, 25°, 35°, 50° in addition to various beams available upon request
- 5 years limited warranty
- Chicago plenum rated

### HOUSING SPECS

Code example: **C4-L10R9**

Series	Power/Output	Voltage	Control	Housing	Emergency
<b>C4</b>	L <sup>1</sup> 10W (1080lm)	1 120V	0 Non-Dim	R Remodel	N No
	M <sup>1</sup> 12W (1260lm)	U Universal 120V to 277V	1 0-10 to 1%	N Non-IC	9 90 mins
	H <sup>1</sup> 18W (1750lm)		2 0-10 fade-off	F <sup>5</sup> IC	
	V <sup>1</sup> 22W (2250lm)		D Dali	A <sup>5</sup> Airtight	
	D <sup>2</sup> 10W (792lm)		P Phase ELV & Triac	0 No Housing	
	W <sup>2</sup> 18W (1536lm)		L Lutron		
	U <sup>3</sup> 10W (834lm)		X DMX		
	A <sup>3</sup> 18W (1164lm)				
	C <sup>4</sup> 16W (312lm)				



### MODULE SPECS

The Module should have the same Power as the Housing

Code example: **C4-LS0-AW-WW-S927-0-N**

P/O	Mounting	Trim Color	Ref. Color	IP Rating	Optics Type	LED CRI	LED CCT	Accessories (Primary)	Accessories (Secondary)	
<b>C4</b>	S0 Square Trimless	A W White B Black S Grey X Custom	W Flat White	D Dry	S 10°	9 90	27 2700K	0 No Accessories	N No Accessories	
	S1 Square Trim		B Flat Black	W Wet	M 25°	H Thrive	30 3000K	C Clear Lens	T Clear Lens	
	S2 Square Trim with Constant Force Spring		N Black Nickel		F 35°		35 3500K	D <sup>7</sup> Diffuse lens	L Diffuse lens	
	S3 Square Millwork		C Specular Chrome		W 50°		40 4000K	E <sup>8</sup> Elliptical Lens	F Solite Lens	
			D Diffuse Chrome			For other beam option, refer to P2		WD 3000K - 1800K	H Honeycomb Lens	
			G Bright Gold					TW <sup>6</sup> 2700K - 5000K	S Solite Lens	
			E Diffuse Gold					CC RGBW	M Mixing	

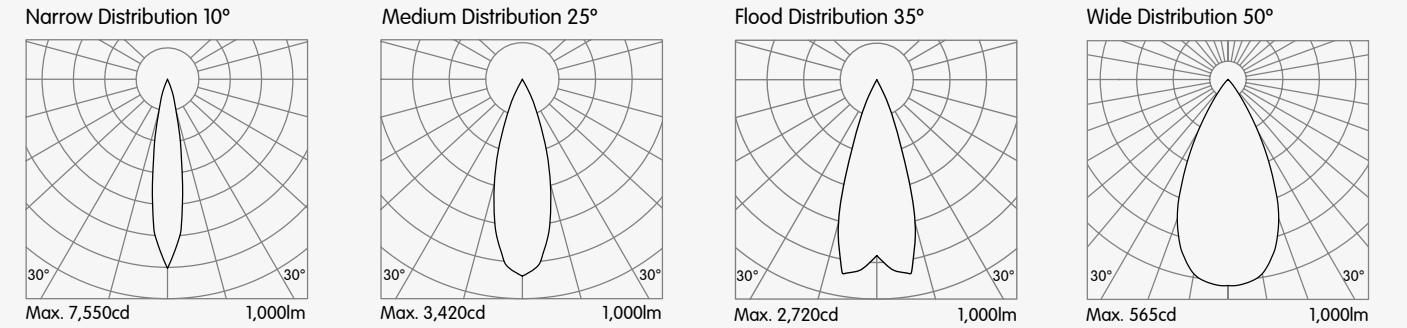
For more info about the placement of the accessories, please consult the schematic on P4

#### Notes:

- <sup>1</sup> Denotes output at 3000K, unless otherwise noted.
  - <sup>2</sup> Denotes output specific to Dim-to-Warm at 3000K.
  - <sup>3</sup> Denotes output specific to Tunable White at full on.
  - <sup>4</sup> Denotes output at White, 3000K.
  - <sup>5</sup> Chicago Plenum rated.
  - <sup>6</sup> Tunable White available in 0-10V, DMX and DALI.
  - <sup>7</sup> Diffuse lenses available in different angles.
  - <sup>8</sup> Elliptical lenses available in different angles.
- Consult factory for lead-times. Bold Lighting reserves the right to make technical changes without notice.

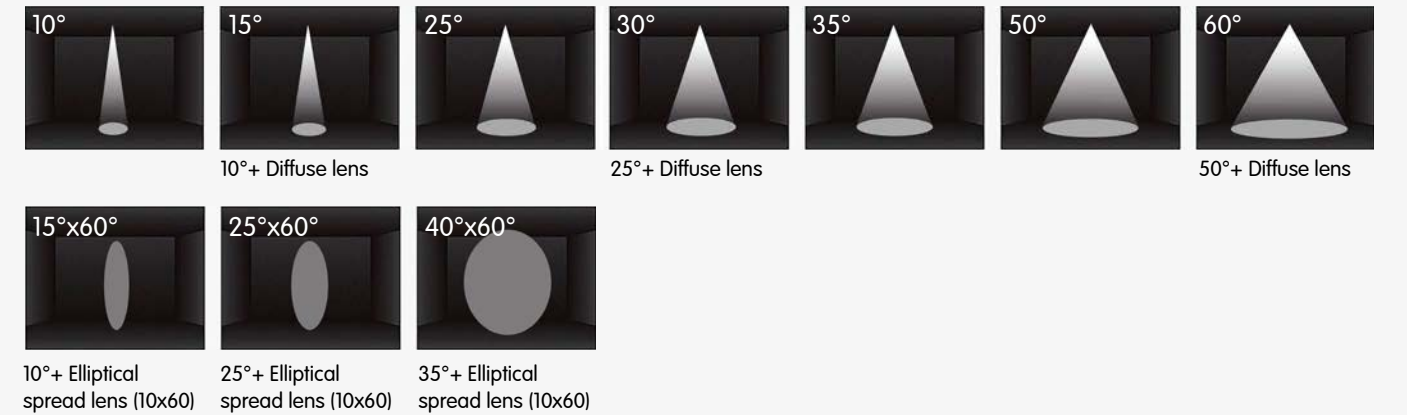
### OPTICAL FLEXIBILITY

#### Photometric data: Type C Polar Curves

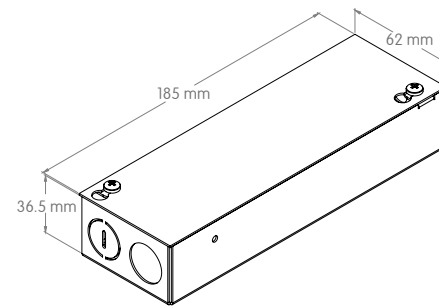


Notes:  
Other beam distribution available on demand. Please consult factory.

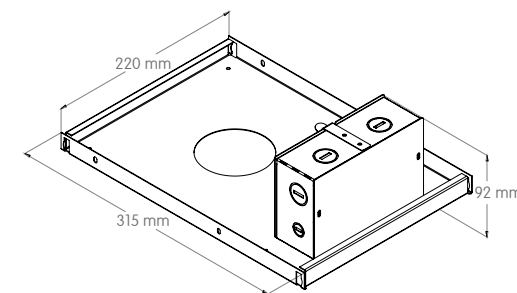
#### Beam distribution and combination



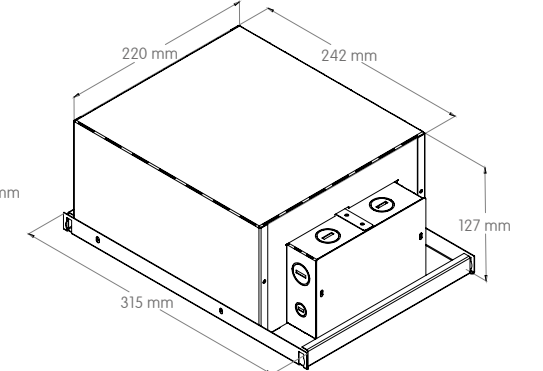
#### REMODEL HOUSING



#### NON-IC HOUSING

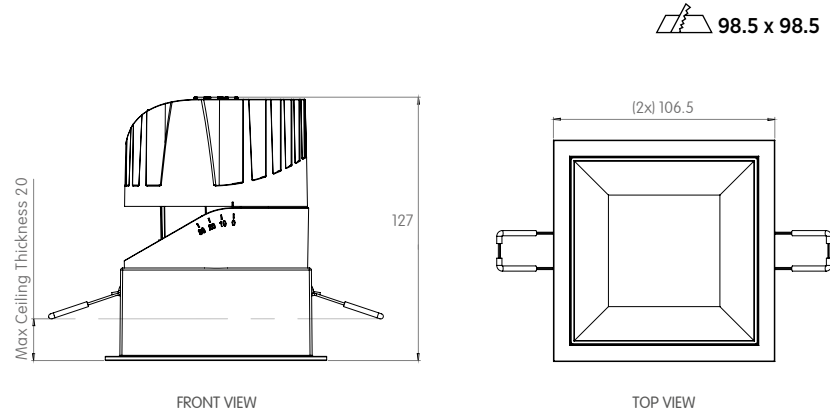


#### IC HOUSING & AIRTIGHT

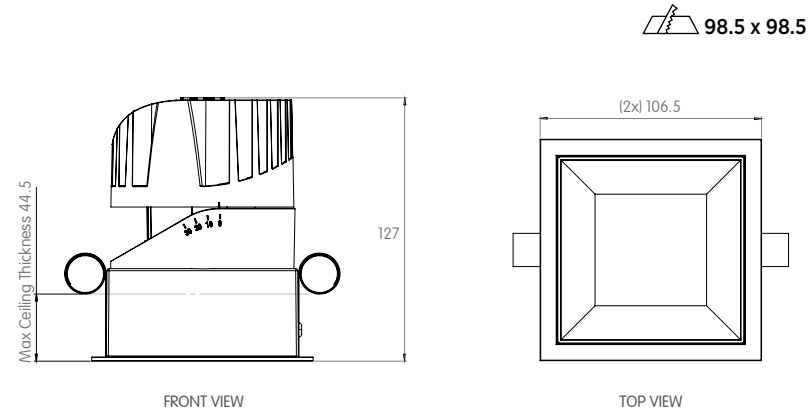


**MOUNTING FLEXIBILITY**  
Per Millimeter

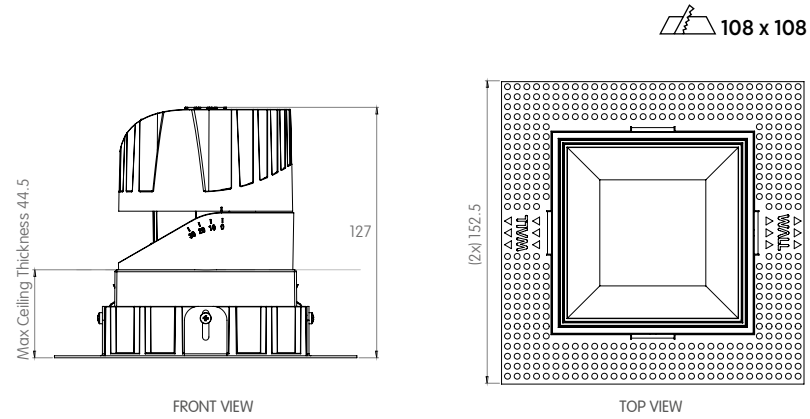
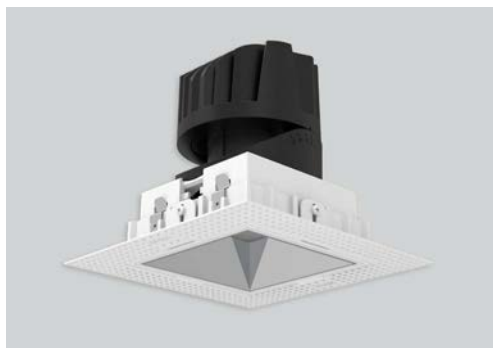
**TRIM TORSION SPRINGS**



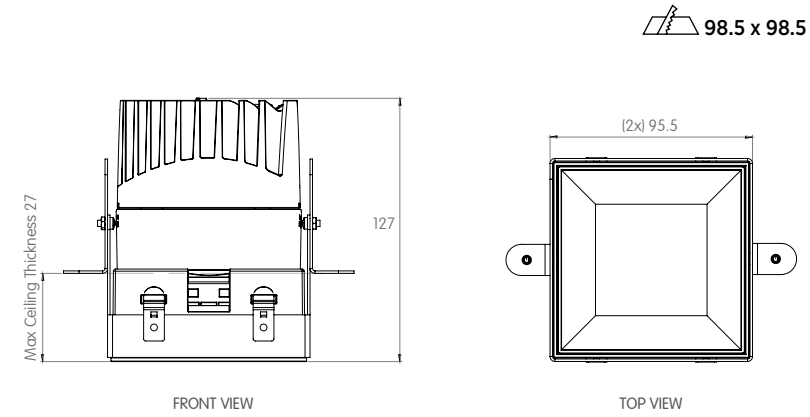
**TRIM CONSTANT FORCE SPRINGS**



**TRIMLESS**



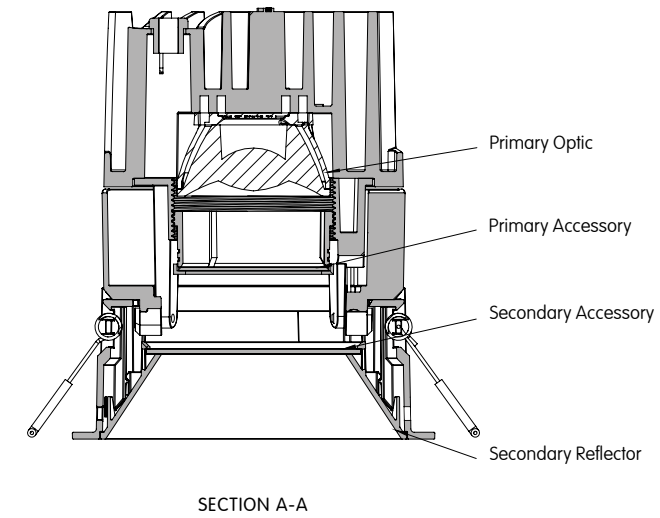
**MILLWORK**



**DELIVERED LUMEN OUTPUT**

Output	Watts	CRI +90			
<b>STATIC-WHITE</b>		<b>2700K</b>	<b>3000K</b>	<b>4000K</b>	
L	10W	915 lm	1080 lm	1100 lm	
M	12W	1248 lm	1260 lm	1331 lm	
H	18W	1650 lm	1750 lm	1864 lm	
V	22W	2204 lm	2250 lm	2288 lm	
<b>DIM-TO-WARM 3000K-1800K</b>		<b>3000K</b>			
D	10W	792 lm			
W	18W	1536 lm			
<b>TUNABLE WHITE 2700K-6500K</b>		<b>2700K</b>	<b>6500K</b>		
U	10W	708 lm	834 lm		
A	18W	960 lm	1164 lm		
<b>RGBW</b>		<b>R</b>	<b>G</b>	<b>B</b>	<b>W</b>
L	4W	72 lm	415 lm	84 lm	312 lm
C	16W				

**ACCESSORIES SCHEMATIC**



# CHAMELEON R4"

## Zoomable

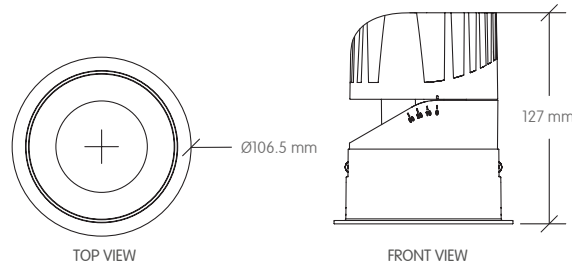


- Up to 1,650lm delivered output
- Trim, trimless and millwork mounting options
- High CRI, up to +97 CRI, available upon request
- Dim-to-Warm capability 3000K to 1800K
- Tunable White capability 2700K to 5000K
- Gear driven tilt 0° to 35° and 360° lockable rotation
- Zoomable Lens from 15° to 50°
- 5 years limited warranty
- Chicago plenum rated

### HOUSING SPECS

Code example: **C4-L10R9**

Series	Power/Output	Voltage	Control	Housing	Emergency
<b>C4</b>	L <sup>1</sup> 10W (1058lm)	1 120V	0 Non-Dim	R Remodel	N No
	M <sup>1</sup> 12W (1235lm)	U Universal 120V to 277V	1 0-10 to 1%	N Non-IC	9 90 mins
	H <sup>1</sup> 18W (1715lm)		2 0-10 fade-off	I <sup>5</sup> IC	
	V <sup>1</sup> 22W (2212lm)		D Dali	A <sup>5</sup> Airtight	
	D <sup>2</sup> 10W (776lm)		P Phase ELV & Triac	O No Housing	
	W <sup>2</sup> 18W (1505lm)		L Lutron		
	U <sup>3</sup> 10W (817lm)		X DMX		
	A <sup>3</sup> 18W (1140lm)				
	C <sup>4</sup> 16W (305lm)				



### MODULE SPECS

The Module should have the same Power as the Housing

Code example: **C4-LR0-ZW-WW-S927-0-N**

P/O	Mounting	Trim Color	Ref. Color	IP Rating	Optics Type	LED CRI	LED CCT	Accessories (Primary)	Accessories (Secondary)	
<b>C4</b>	R0 Round Trimless	<b>Z</b>	W White	W Flat White	D Dry	Z 15°-50°	9 90	27 2700K	O No Accessories	N No Accessories
	R1 Round Trim		B Black	B Flat Black	W Wet		H Thrive	30 3000K	C Clear Lens	T Clear Lens
	R2 Round Trim with Constant Force Spring		S Grey	N Black Nickel				35 3500K	D <sup>7</sup> Diffuse lens	L Diffuse lens
	R3 Round Millwork		X Custom	C Specular Chrome				40 4000K	E <sup>8</sup> Elliptical Lens	F Solite Lens
				D Diffuse Chrome				<b>WD 3000K - 1800K</b>	H Honeycomb Lens	
				G Bright Gold				<b>TW<sup>6</sup> 2700K - 5000K</b>	S Solite Lens	
				E Diffuse Gold				<b>CC RGBW</b>	M Mixing	

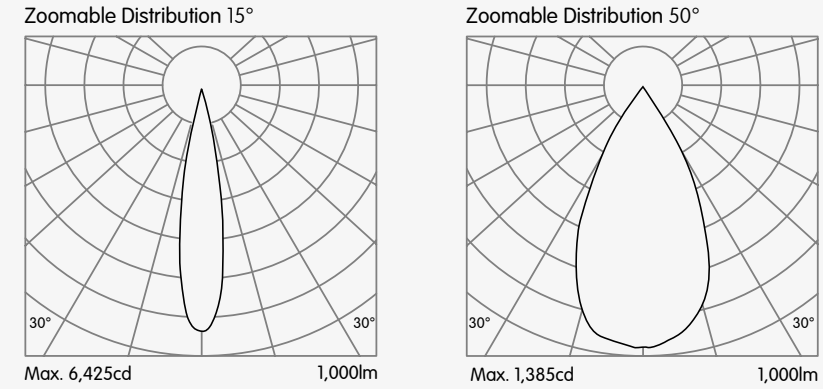
For more info about the placement of the accessories, please consult the schematic on P4

#### Notes:

- <sup>1</sup> Denotes output at 3000K, unless otherwise noted.
  - <sup>2</sup> Denotes output specific to Dim-to-Warm at 3000K.
  - <sup>3</sup> Denotes output specific to Tunable White at full on.
  - <sup>4</sup> Denotes output at White, 3000K.
  - <sup>5</sup> Chicago Plenum rated.
  - <sup>6</sup> Tunable White available in 0-10V, DMX and DALI.
  - <sup>7</sup> Diffuse lenses available in different angles.
  - <sup>8</sup> Elliptical lenses available in different angles.
- Consult factory for lead-times. Bold Lighting reserves the right to make technical changes without notice.

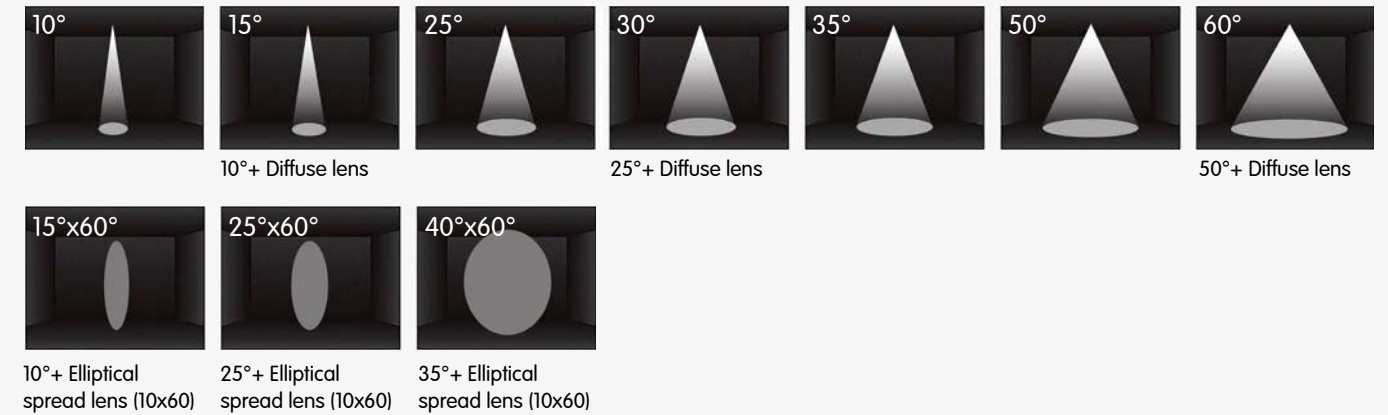
### OPTICAL FLEXIBILITY

#### Photometric data: Type C Polar Curves

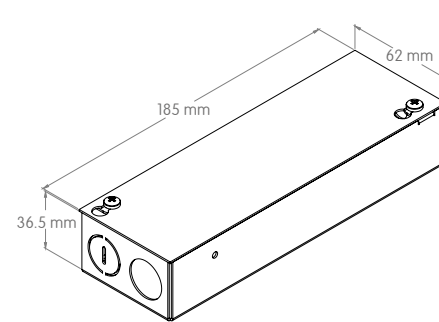


Notes:  
Other beam distribution available on demand.  
Please consult factory.

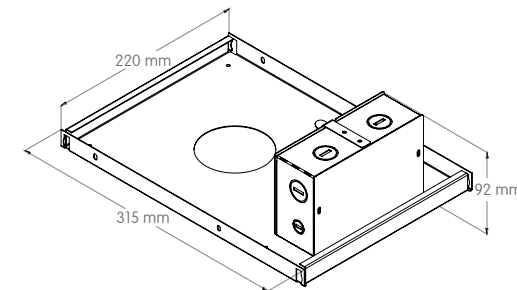
#### Beam distribution and combination



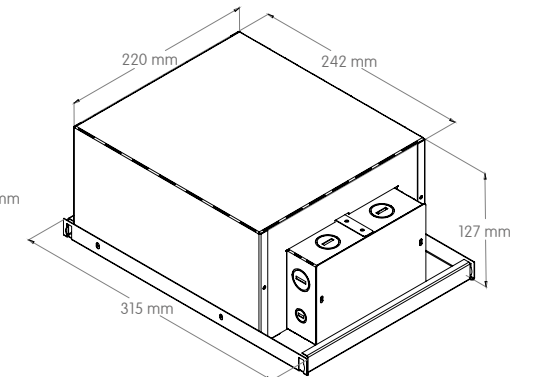
#### REMODEL HOUSING



#### NON-IC HOUSING

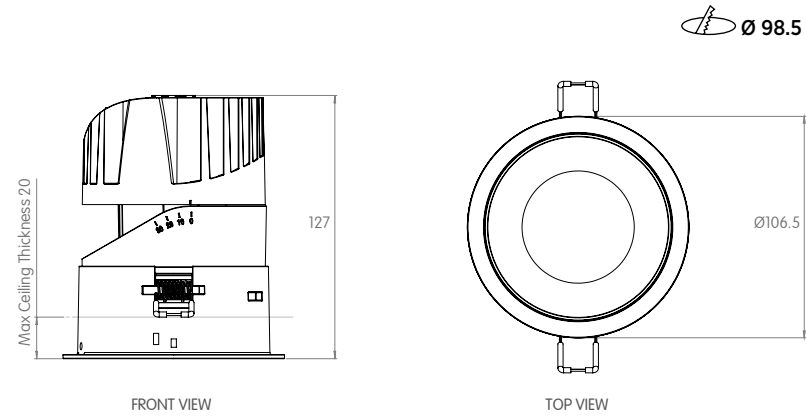


#### IC HOUSING & AIRTIGHT

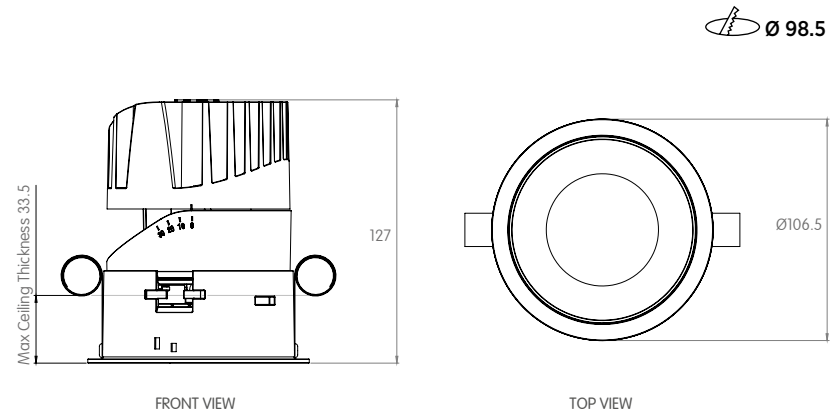


**MOUNTING FLEXIBILITY**  
Per Millimeter

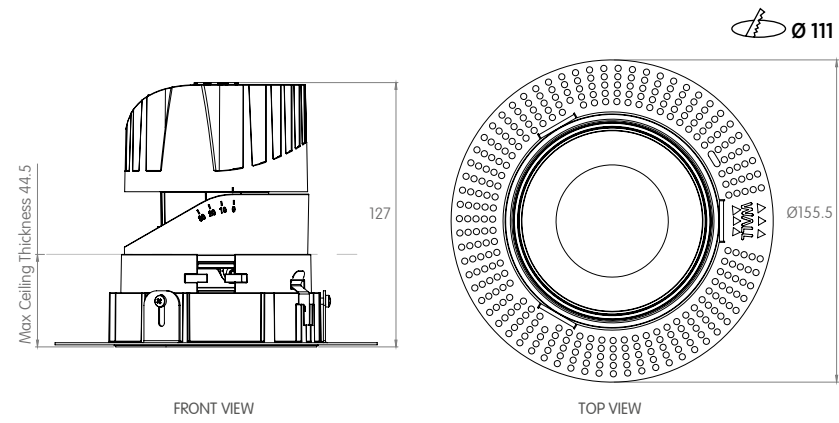
**TRIM TORSION SPRINGS**



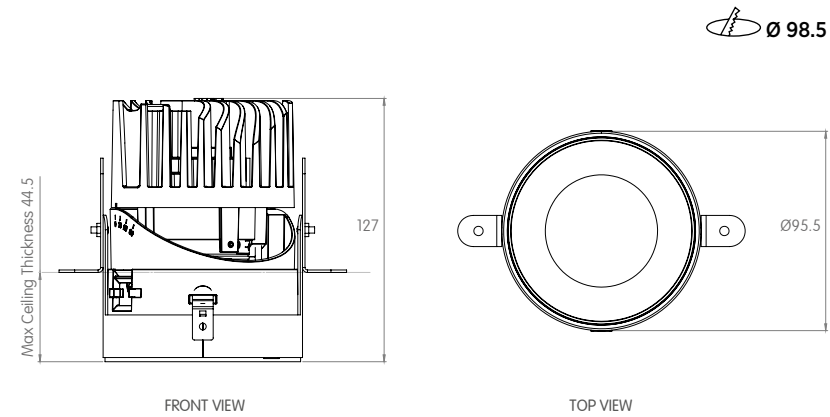
**TRIM CONSTANT FORCE SPRINGS**



**TRIMLESS**



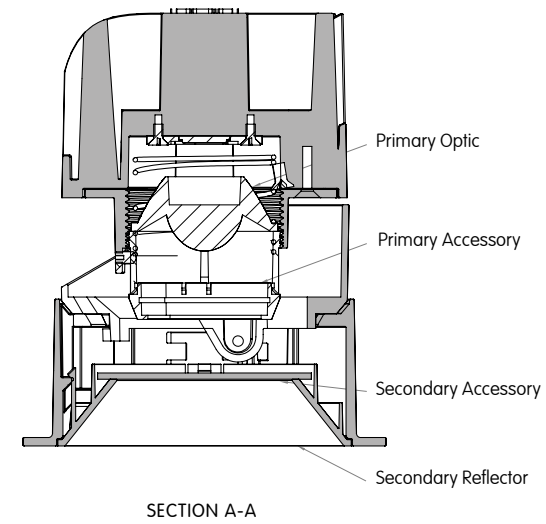
**MILLWORK**



**DELIVERED LUMEN OUTPUT**

Output	Watts	CRI +90			
<b>STATIC-WHITE</b>		<b>2700K</b>	<b>3000K</b>	<b>4000K</b>	
L	10W	897 lm	1058 lm	1078 lm	
M	12W	1223 lm	1235 lm	1304 lm	
H	18W	1509 lm	1715 lm	1827 lm	
V	22W	2160 lm	2212 lm	2243 lm	
<b>DIM-TO-WARM</b> 3000K-1800K		<b>3000K</b>			
D	10W	776 lm			
W	18W	1505 lm			
<b>TUNABLE WHITE</b> 2700K-6500K		<b>2700K</b>	<b>6500K</b>		
U	10W	693 lm	817 lm		
A	18W	940 lm	1140 lm		
<b>RGBW</b>		<b>R</b>	<b>G</b>	<b>B</b>	<b>W</b>
L	4W	70 lm	406 lm	82 lm	305 lm
C	16W				

**ACCESSORIES SCHEMATIC**



# CHAMELEON S4"

## Zoomable

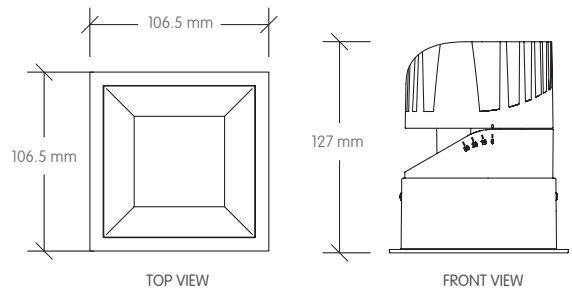


- Up to 1,650lm delivered output
- Trim, trimless and millwork mounting options
- High CRI, up to +97 CRI, available upon request
- Dim-to-Warm capability 3000K to 1800K
- Tunable White capability 2700K to 5000K
- Gear driven tilt 0° to 35° and 360° lockable rotation
- Zoomable Lens from 15° to 50°
- 5 years limited warranty
- Chicago plenum rated

### HOUSING SPECS

Code example: **C4-L10R9**

Series	Power/Output	Voltage	Control	Housing	Emergency
<b>C4</b>	L <sup>1</sup> 10W (1058lm)	1 120V	0 Non-Dim	R Remodel	N No
	M <sup>1</sup> 12W (1235lm)	U Universal 120V to 277V	1 0-10 to 1%	N Non-IC	9 90 mins
	H <sup>1</sup> 18W (1715lm)		2 0-10 fade-off	I <sup>5</sup> IC	
	V <sup>1</sup> 22W (2212lm)		D Dali	A <sup>5</sup> Airtight	
	<b>D<sup>2</sup> 10W (776lm)</b>		P Phase ELV & Triac	O No Housing	
	<b>W<sup>2</sup> 18W (1505lm)</b>		L Lutron		
	<b>U<sup>3</sup> 10W (817lm)</b>		X DMX		
	<b>A<sup>3</sup> 18W (1140lm)</b>				
	<b>C<sup>4</sup> 16W (305lm)</b>				



### MODULE SPECS

The Module should have the same Power as the Housing

Code example: **C4-LS0-ZW-WW-S927-0-N**

P/O	Mounting	Trim Color	Ref. Color	IP Rating	Optics Type	LED CRI	LED CCT	Accessories (Primary)	Accessories (Secondary)
<b>C4</b>	S0 Square Trimless	<b>Z</b> <b>W</b> White	<b>W</b> Flat White	<b>D</b> Dry	<b>Z</b> 15°-50°	<b>9</b> 90	<b>27</b> 2700K	<b>O</b> No Accessories	<b>N</b> No Accessories
	S1 Square Trim	<b>B</b> Black	<b>B</b> Flat Black	<b>W</b> Wet		<b>H</b> Thrive	<b>30</b> 3000K	<b>C</b> Clear Lens	<b>T</b> Clear Lens
	S2 Square Trim with Constant Force Spring	<b>S</b> Grey	<b>N</b> Black Nickel				<b>35</b> 3500K	<b>D<sup>7</sup></b> Diffuse lens	<b>L</b> Diffuse lens
	S3 Square Millwork	<b>X</b> Custom	<b>C</b> Specular Chrome				<b>40</b> 4000K	<b>E<sup>8</sup></b> Elliptical Lens	<b>F</b> Solite Lens
			<b>D</b> Diffuse Chrome				<b>WD</b> 3000K - 1800K	<b>H</b> Honeycomb Lens	
			<b>G</b> Bright Gold				<b>TW<sup>6</sup></b> 2700K - 5000K	<b>S</b> Solite Lens	
			<b>E</b> Diffuse Gold				<b>CC</b> RGBW	<b>M</b> Mixing	

For more info about the placement of the accessories, please consult the schematic on P4

### Notes:

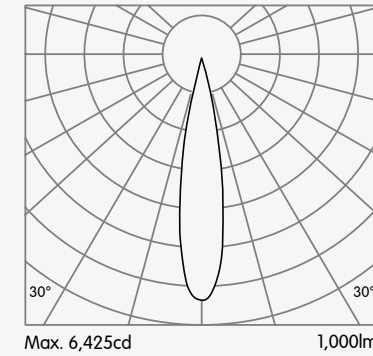
- Denotes output at 3000K, unless otherwise noted.
- Denotes output specific to Dim-to-Warm at 3000K.
- Denotes output specific to Tunable White at full on.
- Denotes output at White, 3000K.
- Chicago Plenum rated.
- Tunable White available in 0-10V, DMX and DALI.
- Diffuse lenses available in different angles.
- Elliptical lenses available in different angles.

Consult factory for lead-times. Bold Lighting reserves the right to make technical changes without notice.

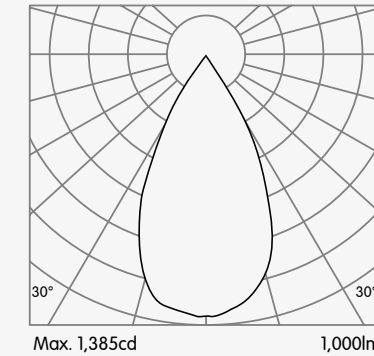
## OPTICAL FLEXIBILITY

### Photometric data: Type C Polar Curves

Zoomable Distribution 15°

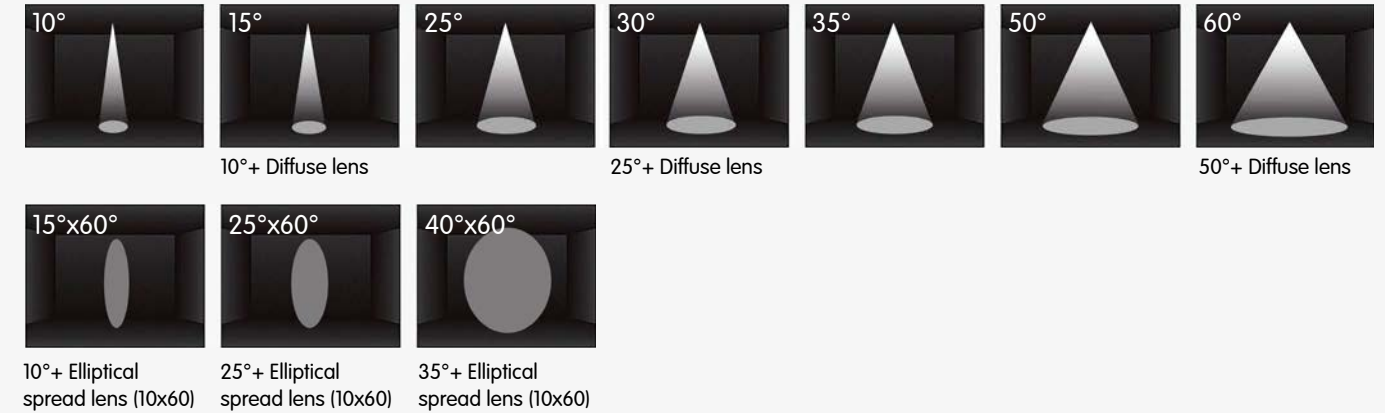


Zoomable Distribution 50°

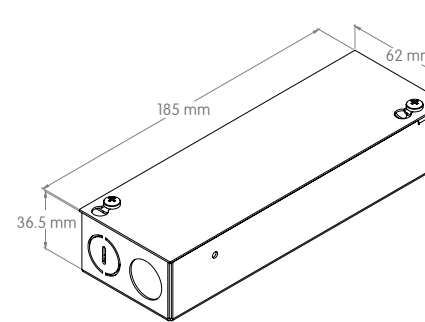


Notes:  
Other beam distribution available on demand.  
Please consult factory.

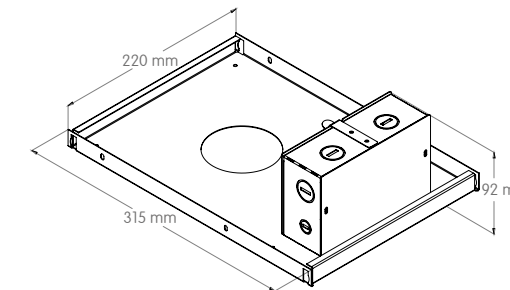
### Beam distribution and combination



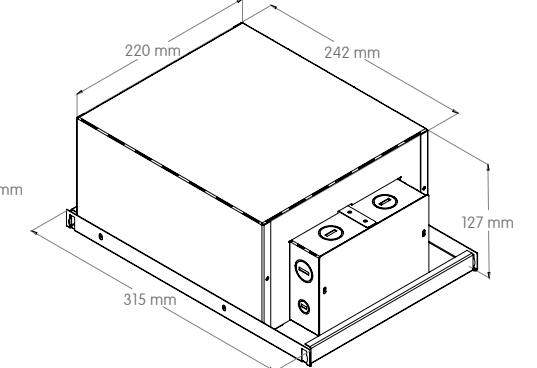
### REMODEL HOUSING



### NON-IC HOUSING

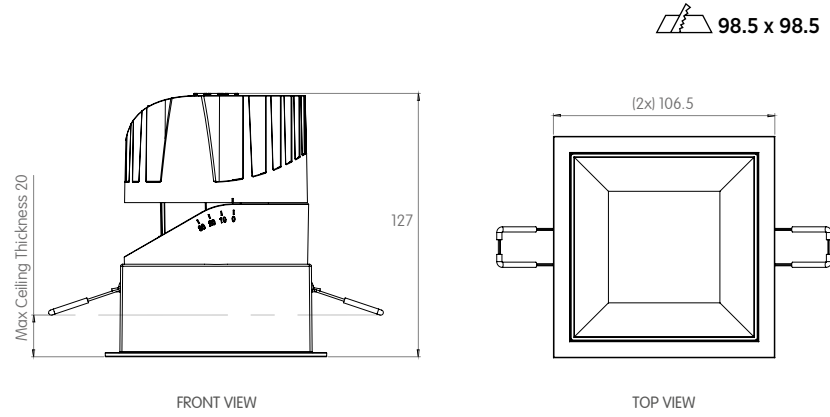


### IC HOUSING & AIRTIGHT

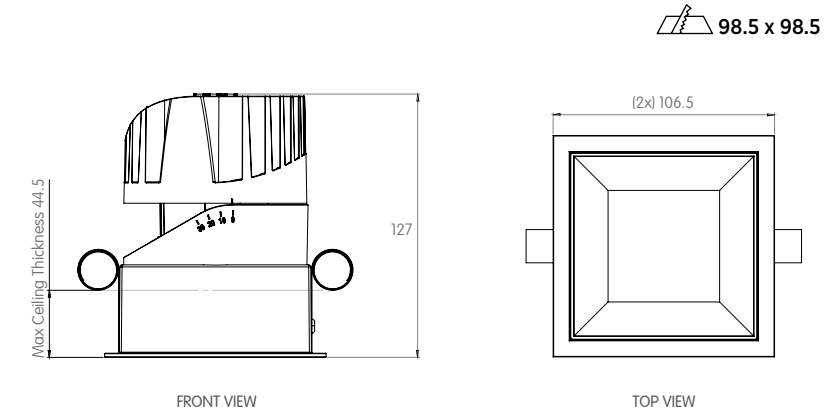


**MOUNTING FLEXIBILITY**  
Per Millimeter

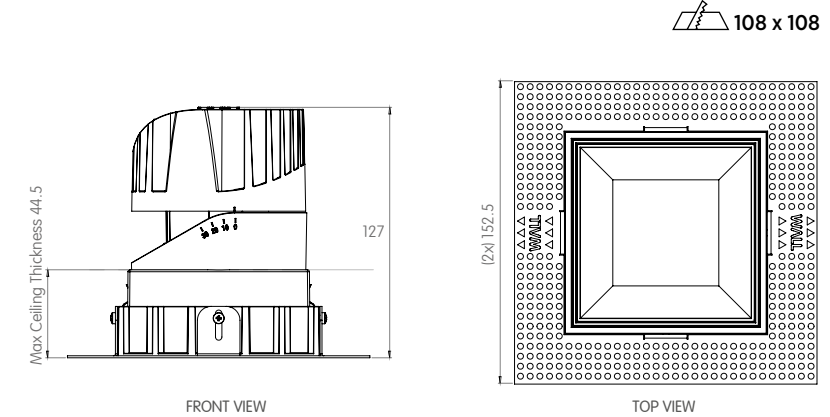
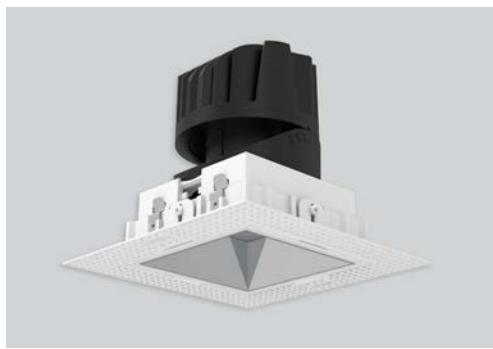
**TRIM TORSION SPRINGS**



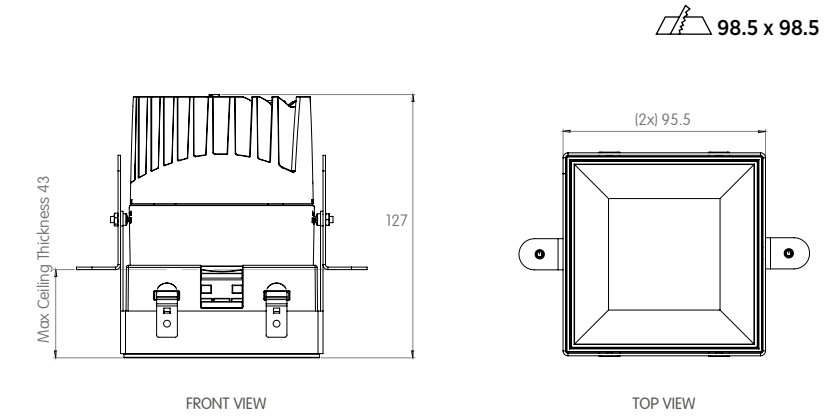
**TRIM CONSTANT FORCE SPRINGS**



**TRIMLESS**



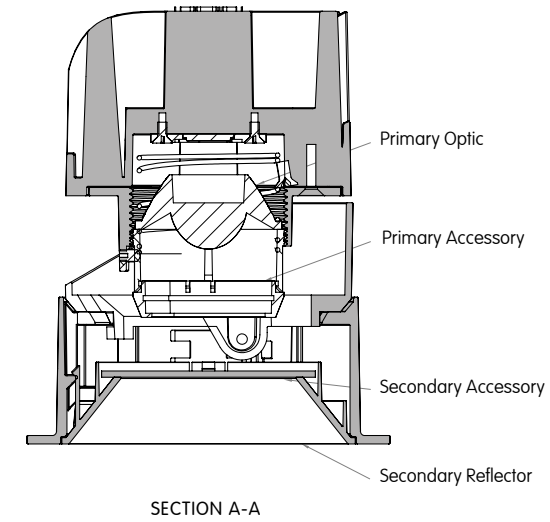
**MILLWORK**



**DELIVERED LUMEN OUTPUT**

Output	Watts	CRI +90			
<b>STATIC-WHITE</b>		<b>2700K</b>	<b>3000K</b>	<b>4000K</b>	
L	10W	897 lm	1058 lm	1078 lm	
M	12W	1223 lm	1235 lm	1304 lm	
H	18W	1509 lm	1715 lm	1827 lm	
V	22W	2160 lm	2212 lm	2243 lm	
<b>DIM-TO-WARM 3000K-1800K</b>		<b>3000K</b>			
D	10W	776 lm			
W	18W	1505 lm			
<b>TUNABLE WHITE 2700K-6500K</b>		<b>2700K</b>	<b>6500K</b>		
U	10W	693 lm	817 lm		
A	18W	940 lm	1140 lm		
<b>RGBW</b>		<b>R</b>	<b>G</b>	<b>B</b>	<b>W</b>
L	4W	70 lm	406 lm	82 lm	305 lm
C	16W				

**ACCESSORIES SCHEMATIC**



# CHAMELEON R4"

## Washed



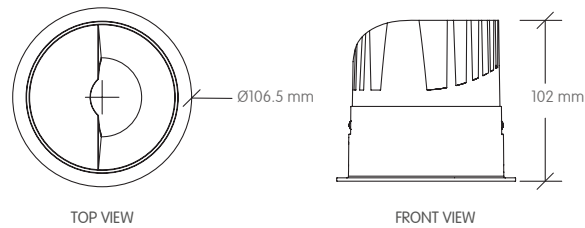
- Up to 950lm delivered output
- Trim, trimless and millwork mounting options
- High CRI, up to +97 CRI, available upon request
- Dim-to-Warm capability 3000K to 1800K
- Tunable White capability 2700K to 5000K
- High uniformity light distribution  $E_{min.}/E_{max.} = 1/3$
- 5 years limited warranty
- Chicago plenum rated

\* Downlight is inherently IC rated per ETL testing to UL1598 standard and can be installed without a housing when specified with Standard Output (11 Watts). LED driver current is factory set at 260mA.

### HOUSING SPECS

Code example: **C4-L10R9**

Series	Power/Output	Voltage	Control	Housing	Emergency
<b>C4</b>	L <sup>1</sup> 10W (960lm)	1 120V	0 Non-Dim	R Remodel	N No
	M <sup>1</sup> 12W (1121lm)	U Universal 120V to 277V	1 0-10 to 1%	N Non-IC	9 90 mins
	H <sup>1</sup> 18W (1558lm)		2 0-10 fade-off	I <sup>5</sup> IC	
	V <sup>1</sup> 22W (1995lm)		D Dali	A <sup>5</sup> Airtight	
	D <sup>2</sup> 10W (931lm)		P Phase ELV & Triac	O No Housing	
	W <sup>2</sup> 18W (1806lm)		L Lutron		
	U <sup>3</sup> 10W (890lm)		X DMX		
	A <sup>3</sup> 18W (1242lm)				
	C <sup>4</sup> 16W (333lm)				



### MODULE SPECS

The Module should have the same Power as the Housing

Code example: **C4-LR0-WW-WW-W927-0**

P/O	Mounting	Trim Color	Ref. Color	IP Rating	Optics Type	LED CRI	LED CCT	Accessories
<b>C4</b>	R0 Round Trimless	<b>W</b> W White	W Flat White	D Dry	W Washer	9 90	27 2700K	0 No Accessories
	R1 Round Trim	B Black	B Flat Black	W Wet		H Thrive	30 3000K	
	R2 Round Trim with Constant Force Spring	S Grey	N Black Nickel				35 3500K	
	R3 Round Millwork	X Custom	C Specular Chrome				40 4000K	
			D Diffuse Chrome				<b>WD</b> 3000K - 1800K	
			G Bright Gold				<b>TW</b> <sup>6</sup> 2700K - 5000K	
			E Diffuse Gold				<b>CC</b> RGBW	

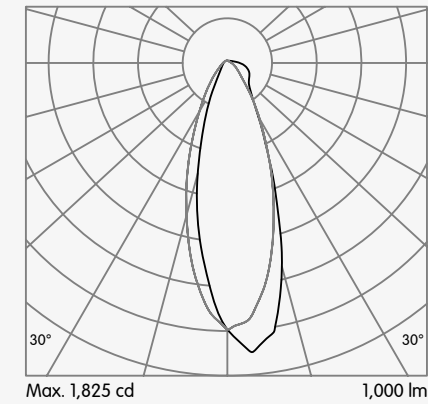
#### Notes:

- <sup>1</sup> Denotes output at 3000K, unless otherwise noted.
  - <sup>2</sup> Denotes output specific to Dim-to-Warm at 3000K.
  - <sup>3</sup> Denotes output specific to Tunable White at full on.
  - <sup>4</sup> Denotes output at White, 3000K.
  - <sup>5</sup> Chicago Plenum rated.
  - <sup>6</sup> Tunable White available in 0-10V, DMX and DALI.
- Consult factory for lead-times.  
Bold Lighting reserves the right to make technical changes without notice.

## OPTICAL FLEXIBILITY

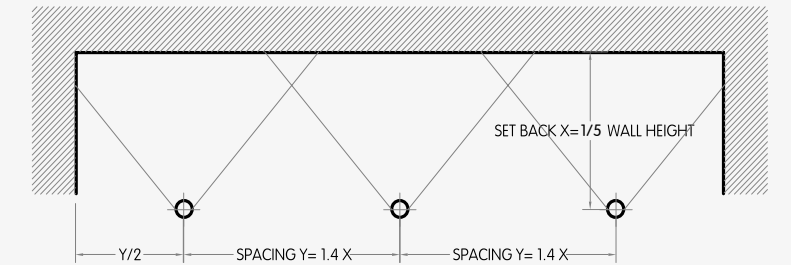
### Photometric data: Type C Polar Curves

#### Wallwash Distribution



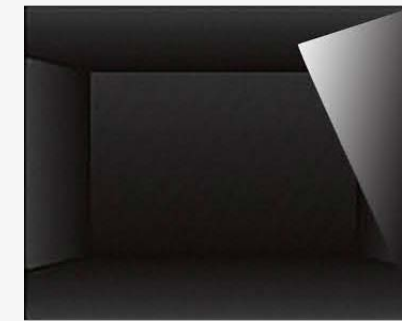
#### Wallwasher optimal spacing

#### Plan View

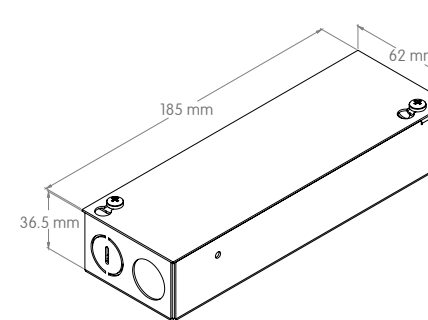


### Beam distribution

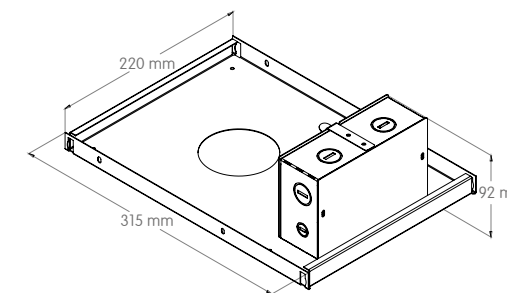
#### Wallwash



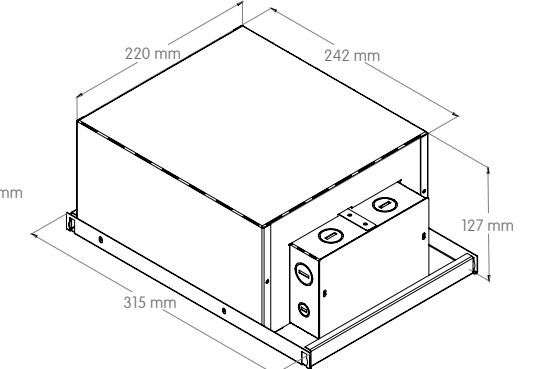
#### REMODEL HOUSING



#### NON-IC HOUSING

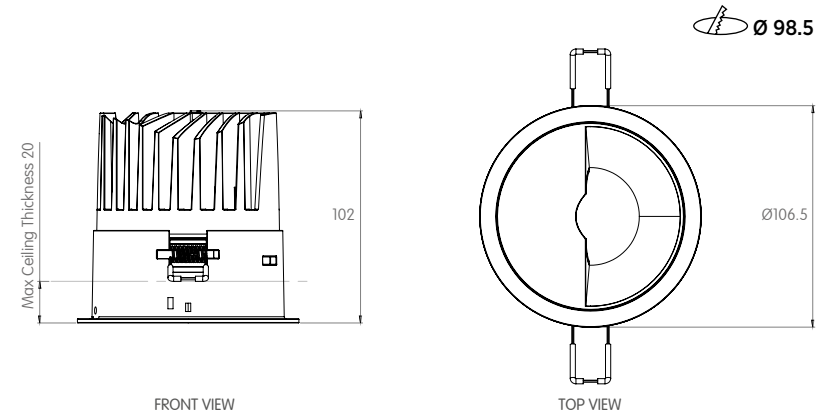


#### IC HOUSING & AIRTIGHT

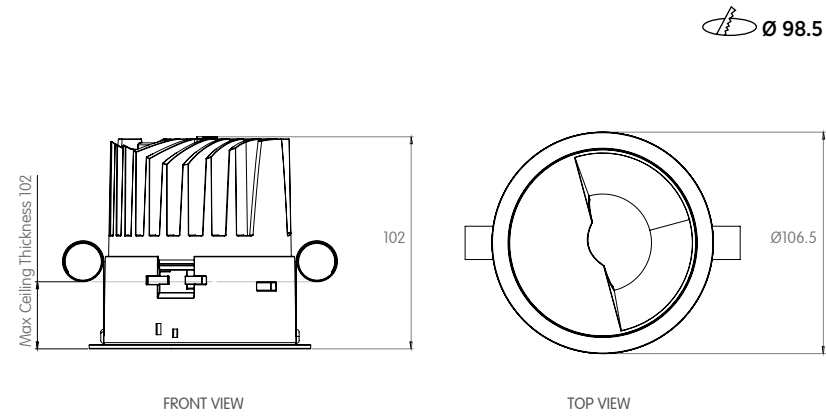


**MOUNTING FLEXIBILITY**  
Per Millimeter

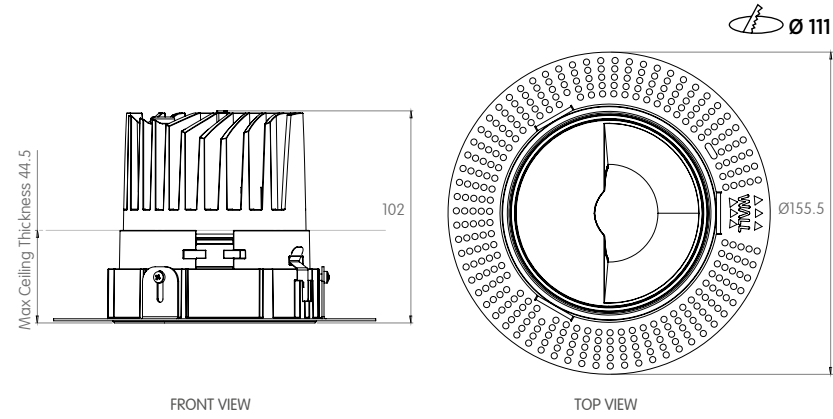
**TRIM TORSION SPRINGS**



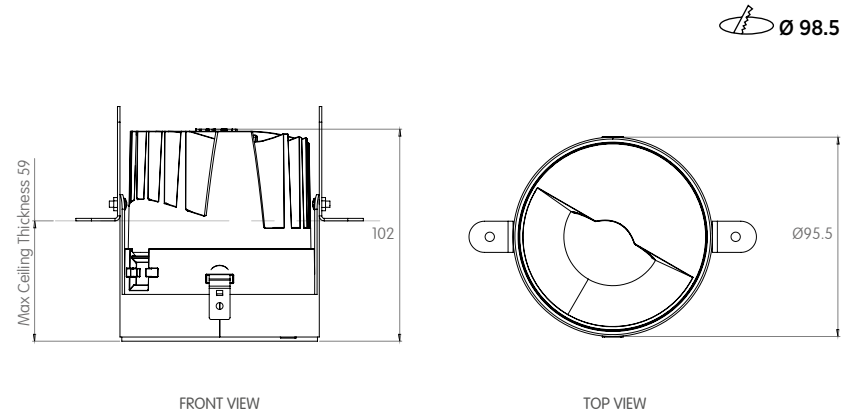
**TRIM CONSTANT FORCE SPRINGS**



**TRIMLESS**



**MILLWORK**



**DELIVERED LUMEN OUTPUT**

Output	Watts	CRI +90			
<b>STATIC-WHITE</b>		<b>2700K</b>	<b>3000K</b>	<b>4000K</b>	
L	10W	815 lm	960 lm	980 lm	
M	12W	1050 lm	1121 lm	1184 lm	
H	18W	1450 lm	1557 lm	1659 lm	
V	22W	1962 lm	1995 lm	2037 lm	
<b>DIM-TO-WARM</b> 3000K-1800K		<b>3000K</b>			
D	10W	931 lm			
W	18W	1806 lm			
<b>TUNABLE WHITE</b> 2700K-6500K		<b>2700K</b>	<b>6500K</b>		
U	10W	755 lm	890 lm		
A	18W	1025 lm	1242 lm		
<b>RGBW</b>		<b>R</b>	<b>G</b>	<b>B</b>	<b>W</b>
L	4W	76 lm	443 lm	89 lm	333 lm
C	16W				

# CHAMELEON S4"

## Washed



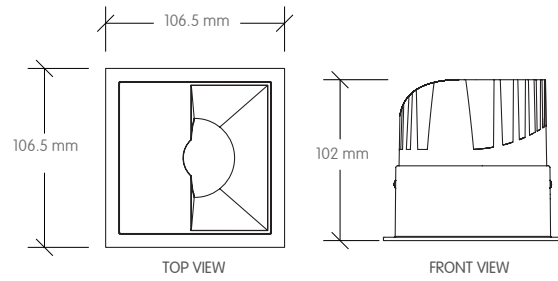
- Up to 950lm delivered output
- Trim, trimless and millwork mounting options
- High CRI, up to +97 CRI, available upon request
- Dim-to-Warm capability 3000K to 1800K
- Tunable White capability 2700K to 5000K
- High uniformity light distribution  $E_{min.}/E_{max.} = 1/3$
- 5 years limited warranty
- Chicago plenum rated

\* Downlight is inherently IC rated per ETL testing to UL1598 standard and can be installed without a housing when specified with Standard Output (11 Watts). LED driver current is factory set at 260mA.

### HOUSING SPECS

Code example: **C4-L10R9**

Series	Power/Output	Voltage	Control	Housing	Emergency
<b>C4</b> L <sup>1</sup>	10W (960lm)	1 120V	0 Non-Dim	R Remodel	N No
M <sup>1</sup>	12W (1121lm)	U Universal 120V to 277V	1 0-10 to 1%	N Non-IC	9 90 mins
H <sup>1</sup>	18W (1558lm)		2 0-10 fade-off	I <sup>5</sup> IC	
V <sup>1</sup>	22W (1995lm)		D Dali	A <sup>5</sup> Airtight	
D <sup>2</sup>	10W (931lm)		P Phase ELV & Triac	O No Housing	
W <sup>2</sup>	18W (1806lm)		L Lutron		
U <sup>3</sup>	10W (890lm)		X DMX		
A <sup>3</sup>	18W (1242lm)				
C <sup>4</sup>	16W (333lm)				



### MODULE SPECS

The Module should have the same Power as the Housing

Code example: **C4-LS0-WW-WW-W927-0**

P/O	Mounting	Trim Color	Ref. Color	IP Rating	Optics Type	LED CRI	LED CCT	Accessories
<b>C4</b> S0	Square Trimless	<b>W</b> W White	W Flat White	D Dry	W Washer	9 90	27 2700K	0 No Accessories
S1	Square Trim	B Black	B Flat Black	W Wet		H Thrive	30 3000K	
S2	Square Trim with Constant Force Spring	S Grey	N Black Nickel				35 3500K	
S3	Square Millwork	X Custom	C Specular Chrome				40 4000K	
			D Diffuse Chrome				WD 3000K - 1800K	
			G Bright Gold				TW <sup>6</sup> 2700K - 5000K	
			E Diffuse Gold				CC RGBW	

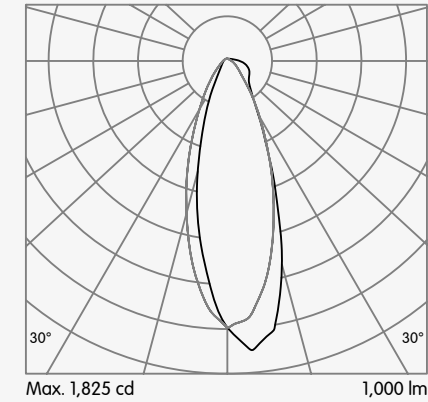
#### Notes:

- Denotes output at 3000K, unless otherwise noted.
  - Denotes output specific to Dim-to-Warm at 3000K.
  - Denotes output specific to Tunable White at full on.
  - Denotes output at White, 3000K.
  - Chicago Plenum rated.
  - Tunable White available in 0-10V, DMX and DALI.
- Consult factory for lead-times.  
Bold Lighting reserves the right to make technical changes without notice.

## OPTICAL FLEXIBILITY

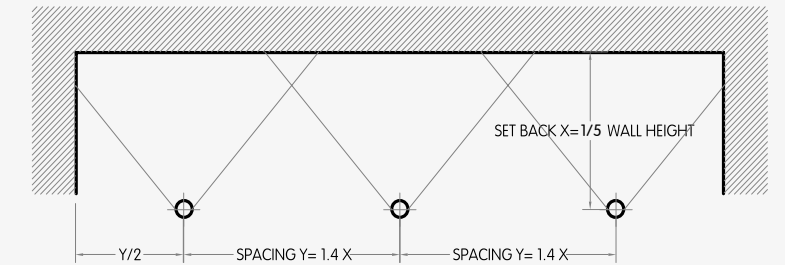
### Photometric data: Type C Polar Curves

#### Wallwash Distribution



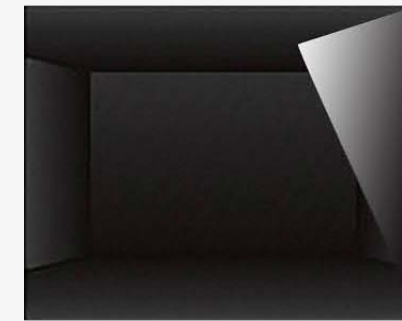
#### Wallwasher optimal spacing

#### Plan View

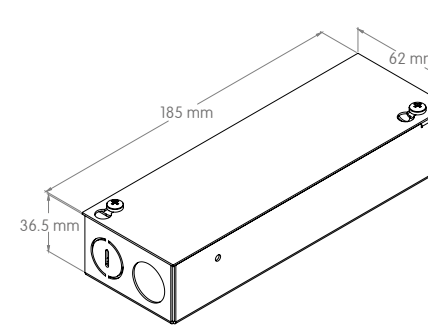


### Beam distribution

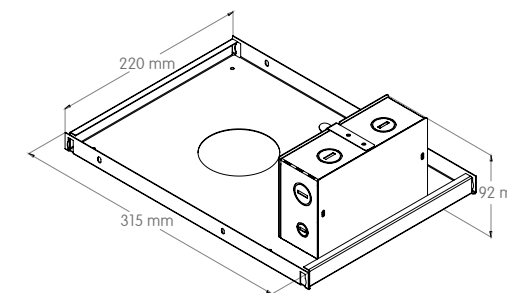
#### Wallwash



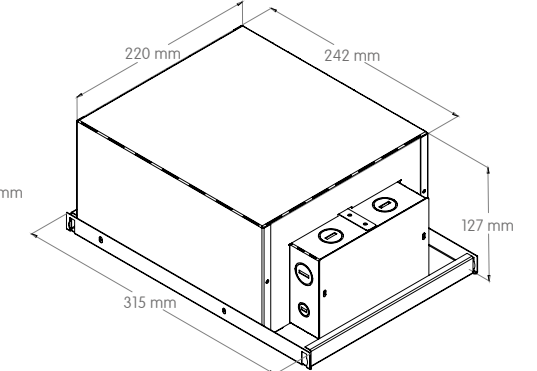
### REMODEL HOUSING



### NON-IC HOUSING

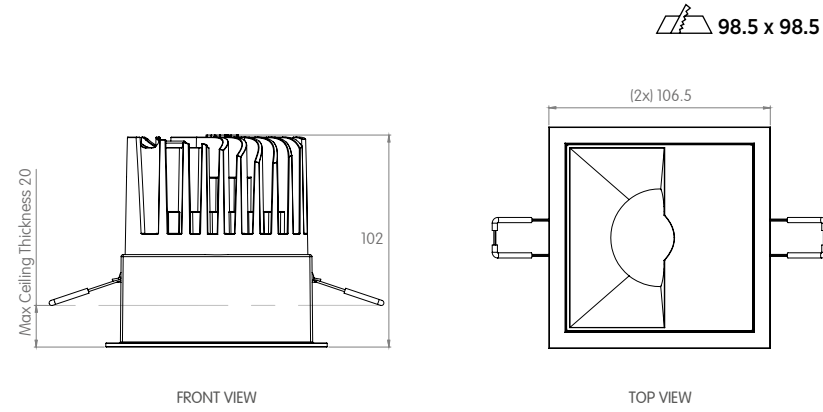


### IC HOUSING & AIRTIGHT

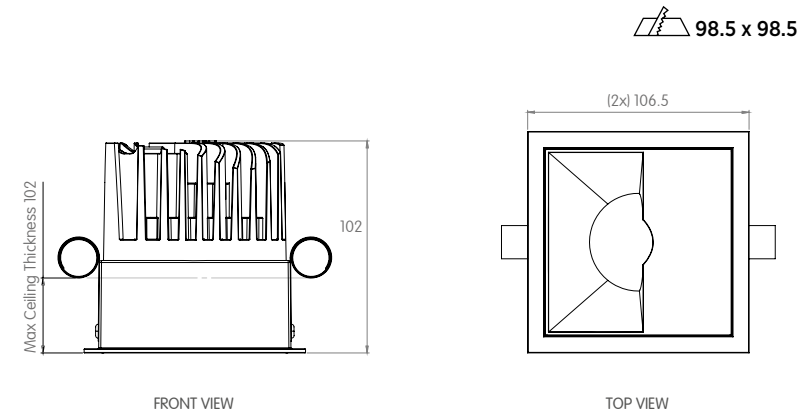


**MOUNTING FLEXIBILITY**  
Per Millimeter

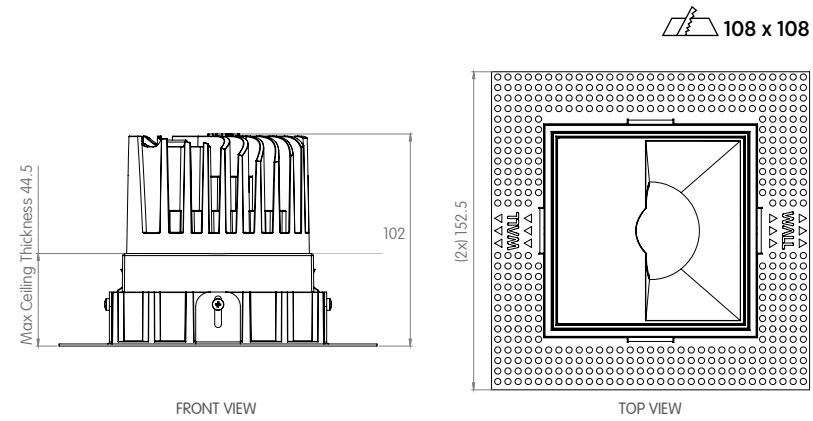
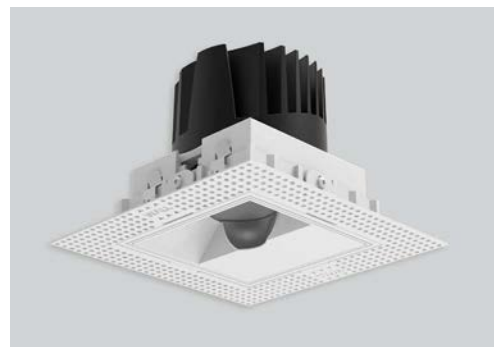
**TRIM TORSION SPRINGS**



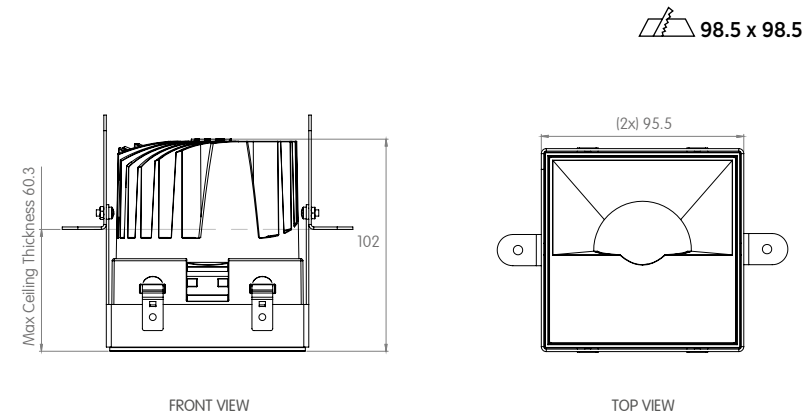
**TRIM CONSTANT FORCE SPRINGS**



**TRIMLESS**



**MILLWORK**



**DELIVERED LUMEN OUTPUT**

Output		Watts		CRI +90		
<b>STATIC-WHITE</b>			<b>2700K</b>	<b>3000K</b>	<b>4000K</b>	
<b>L</b>	10W		815 lm	960 lm	980 lm	
<b>M</b>	12W		1050 lm	1121 lm	1184 lm	
<b>H</b>	18W		1450 lm	1557 lm	1659 lm	
<b>V</b>	22W		1962 lm	1995 lm	2037 lm	
<b>DIM-TO-WARM</b> 3000K-1800K			<b>3000K</b>			
<b>D</b>	10W		931 lm			
<b>W</b>	18W		1806 lm			
<b>TUNABLE WHITE</b> 2700K-6500K			<b>2700K</b>	<b>6500K</b>		
<b>U</b>	10W		755 lm	890 lm		
<b>A</b>	18W		1025 lm	1242 lm		
<b>RGBW</b>			<b>R</b>	<b>G</b>	<b>B</b>	<b>W</b>
<b>L</b>	4W		76 lm	443 lm	89 lm	333 lm
<b>C</b>	16W					

eclipse

VISIBLY INVISIBLE

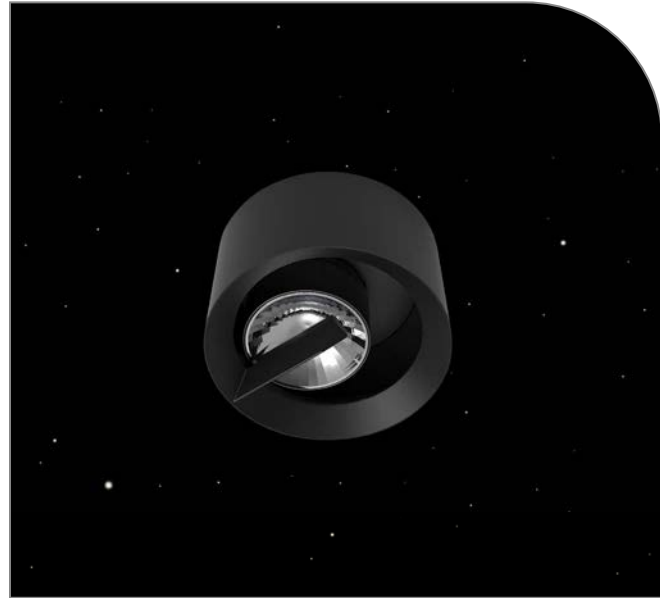


ADJUSTABLE OPTIC  
45° TILT, 360° ROTATION

A lighting system with an elegant design that offers a high flexibility in beam adjustment while maintaining an outstanding visual comfort.

Celestial Inspired Design: Replicating an eclipse, the light source in the Eclipse is hidden, thus offering a completely glare-free, indirect illumination.

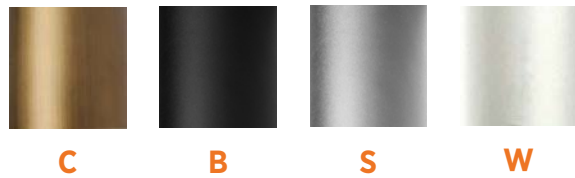
# ECLIPSE SINGLE UNIT



- Up to 470lm delivered output
- Completely glare free 100% reflected light
- Available in recessed with trim & trimless, semi-recessed, pendant, millwork and surface mounted
- Adjustable beam tilt up to 45° in any direction (360°)
- Adjustable beam spread from 10° to 30° (narrow reflector), from 40° to 60° (wide reflector)
- Available in 4 standard finishes: Black, white, silver and bronze



## STANDARD FINISHES



## DELIVERED LUMEN OUTPUT PER CELL

Output	Watts	CRI +90		
		2700K	3000K	4000K
L	4W	240 lm	270 lm	300 lm
M	6W	380 lm	425 lm	470 lm

Code example: **E1-RW-L11R-N927-9**

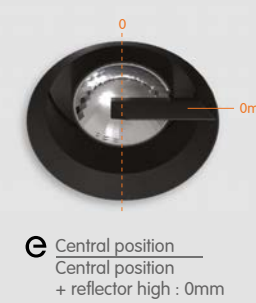
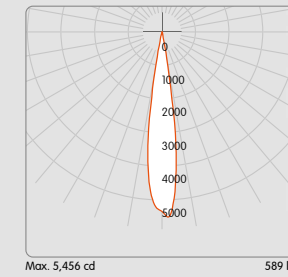
Series	Mounting	Finish	Output	Voltage	Dimming	Housing	Beam	CRI	CCT.	Emergency
<b>E1</b>	R	W	L <sup>1</sup> 270 lm (4W)	1 120V	0 Non-Dim	A <sup>2</sup> Airtight Housing	N 10° to 30°	9 +90	27 2700K	N No
	T	B	M <sup>1</sup> 425 lm (6W)	U Universal 120V to 277V	1 0-10V to 5%	I <sup>1</sup> IC Housing	W 40° to 60°		30 3000K	9 90 mins
	S	S			2 0-10V to 0.1%	N <sup>2</sup> Non-IC Housing			35 3500K	
	P	C			P ELV Dimming	R <sup>2</sup> Remodel Housing			40 4000K	
	M	X								
E										

Notes:  
<sup>1</sup> Denotes output at 3000K, unless otherwise noted.  
<sup>2</sup> Housings are only for recessed mounting.

## OPTICAL FLEXIBILITY

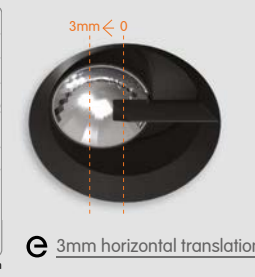
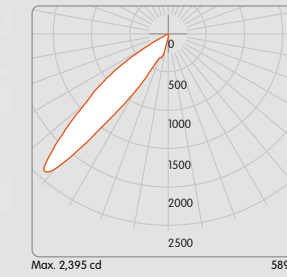
### Photometric data: Type C Polar Curves

#### Narrow Beam



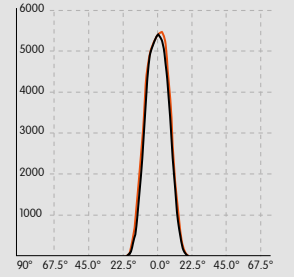
Central position  
 Central position  
 + reflector high : 0mm

#### Narrow Beam - Beam Angle Tilt

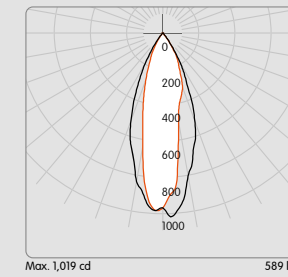


3mm horizontal translation\*

#### Cartesian Diagram

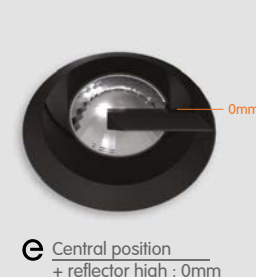
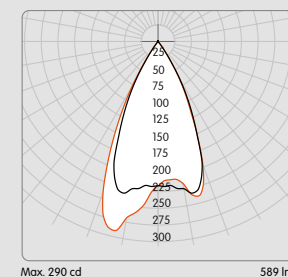


#### Medium Beam



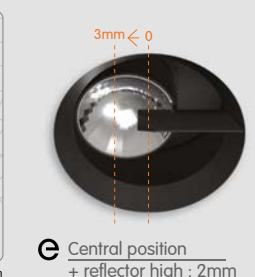
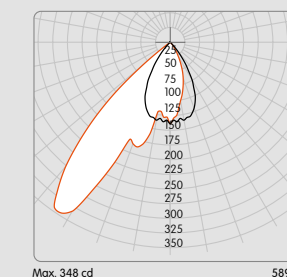
Central position  
 + reflector high : 1mm\*

#### Wide Beam



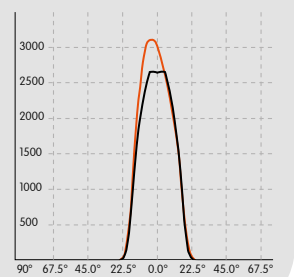
Central position  
 + reflector high : 0mm  
 4mm forward (no tilt)

#### Wide Beam - Beam Angle Tilt

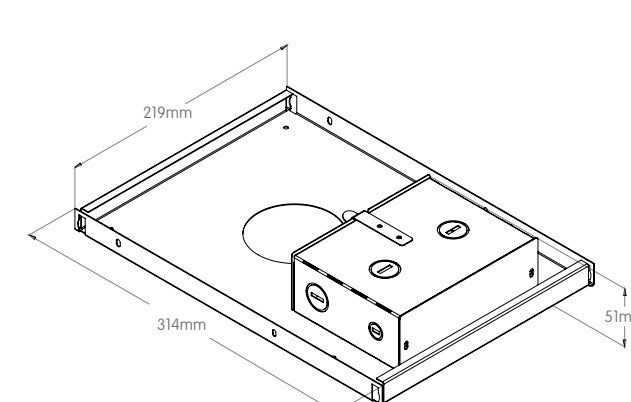


Central position  
 + reflector high : 2mm  
 4mm forward (tilt 2)

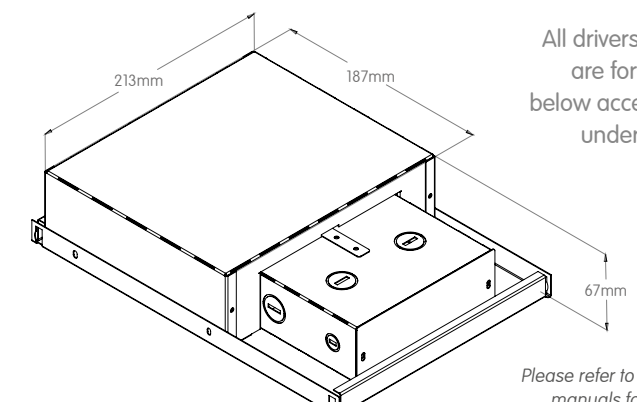
#### Cartesian Diagram



## NON-IC HOUSING



## IC HOUSING & AIRTIGHT

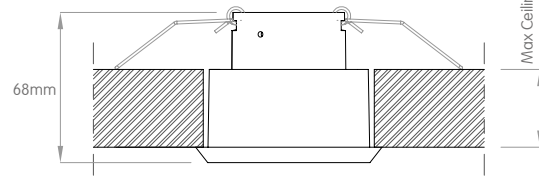
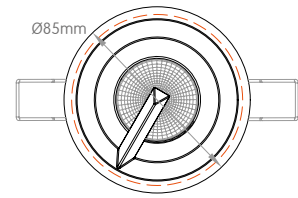
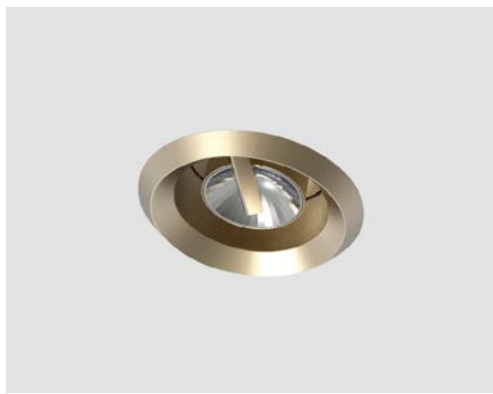


All drivers enclosures are for install from below accessible from under the ceiling.

Please refer to the installation manuals for more details.

**MOUNTING FLEXIBILITY**

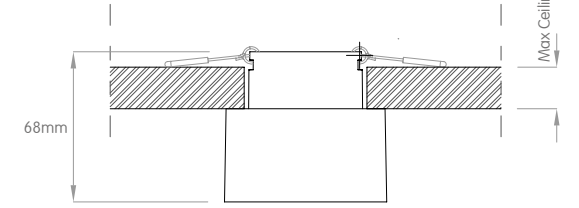
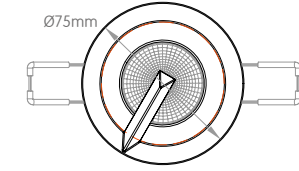
**TRIM**



Ø78mm

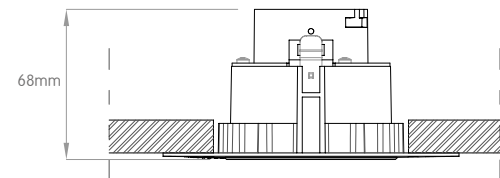
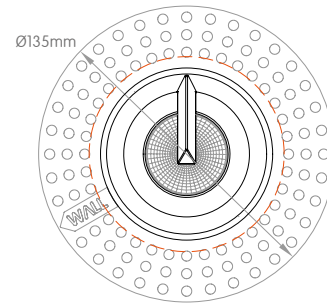
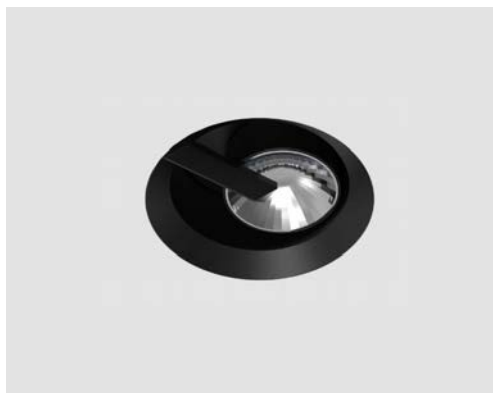
**MOUNTING FLEXIBILITY**

**SURFACE MOUNTED SEMI-RECESSED**



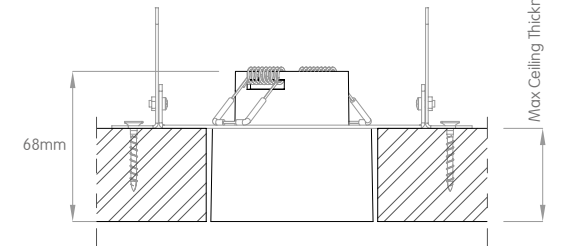
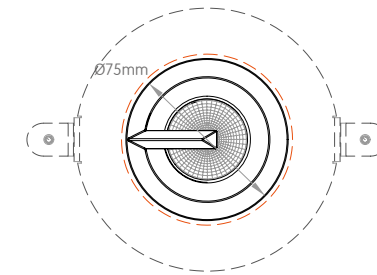
Ø56mm

**TRIMLESS**



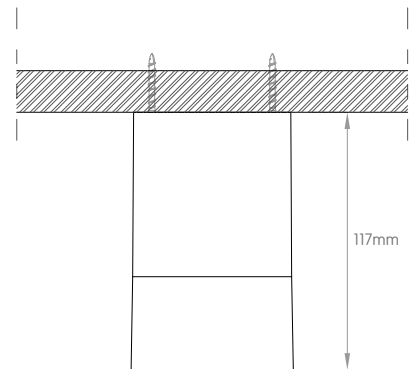
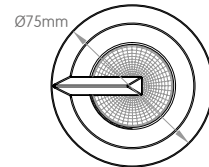
Ø89mm

**MILLWORK**

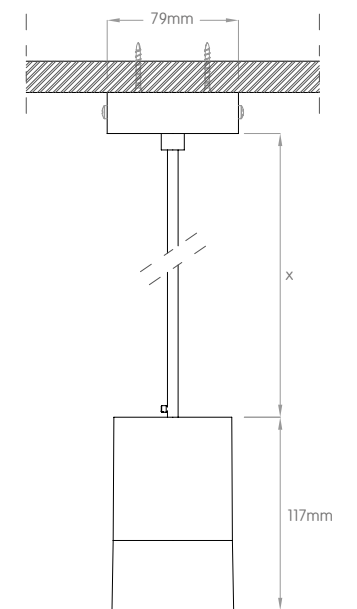
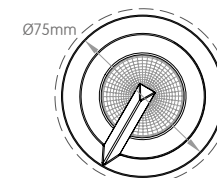


Ø78mm

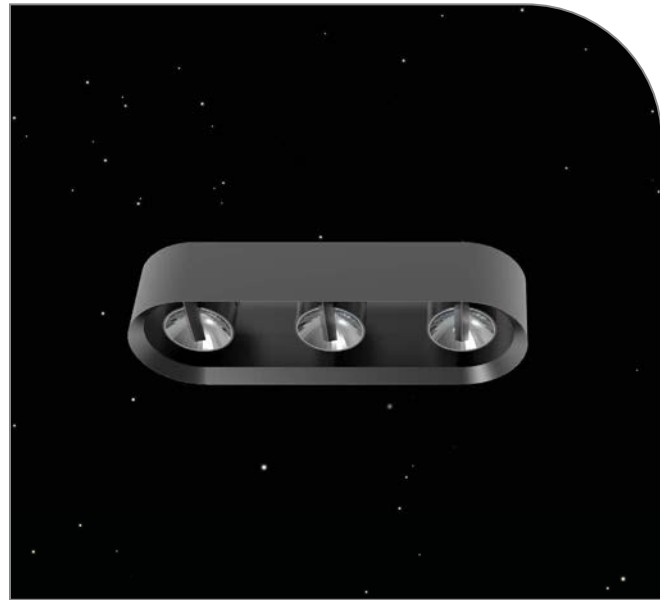
**SURFACE MOUNTED**



**PENDANT**



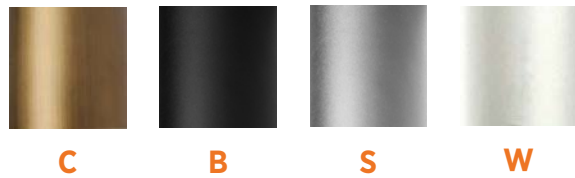
# ECLIPSE MULTIPLE THREE CELLS



- Up to 1,400lm delivered output
- Completely glare free 100% reflected light
- Available in recessed with trim & trimless, semi-recessed, pendant, millwork and surface mounted
- Adjustable beam tilt up to 45° in any direction (360°)
- Adjustable beam spread from 10° to 30° (narrow reflector), from 40° to 60° (wide reflector)
- Available in 4 standard finishes: Black, white, silver and bronze
- Each reflector can be adjusted independently



## STANDARD FINISHES



## DELIVERED LUMEN OUTPUT PER CELL

Output	Watts	CRI +90		
		2700K	3000K	4000K
L	4W	240 lm	270 lm	300 lm
M	6W	380 lm	425 lm	470 lm

Code example: **E3**-RW-L11R-N927-9

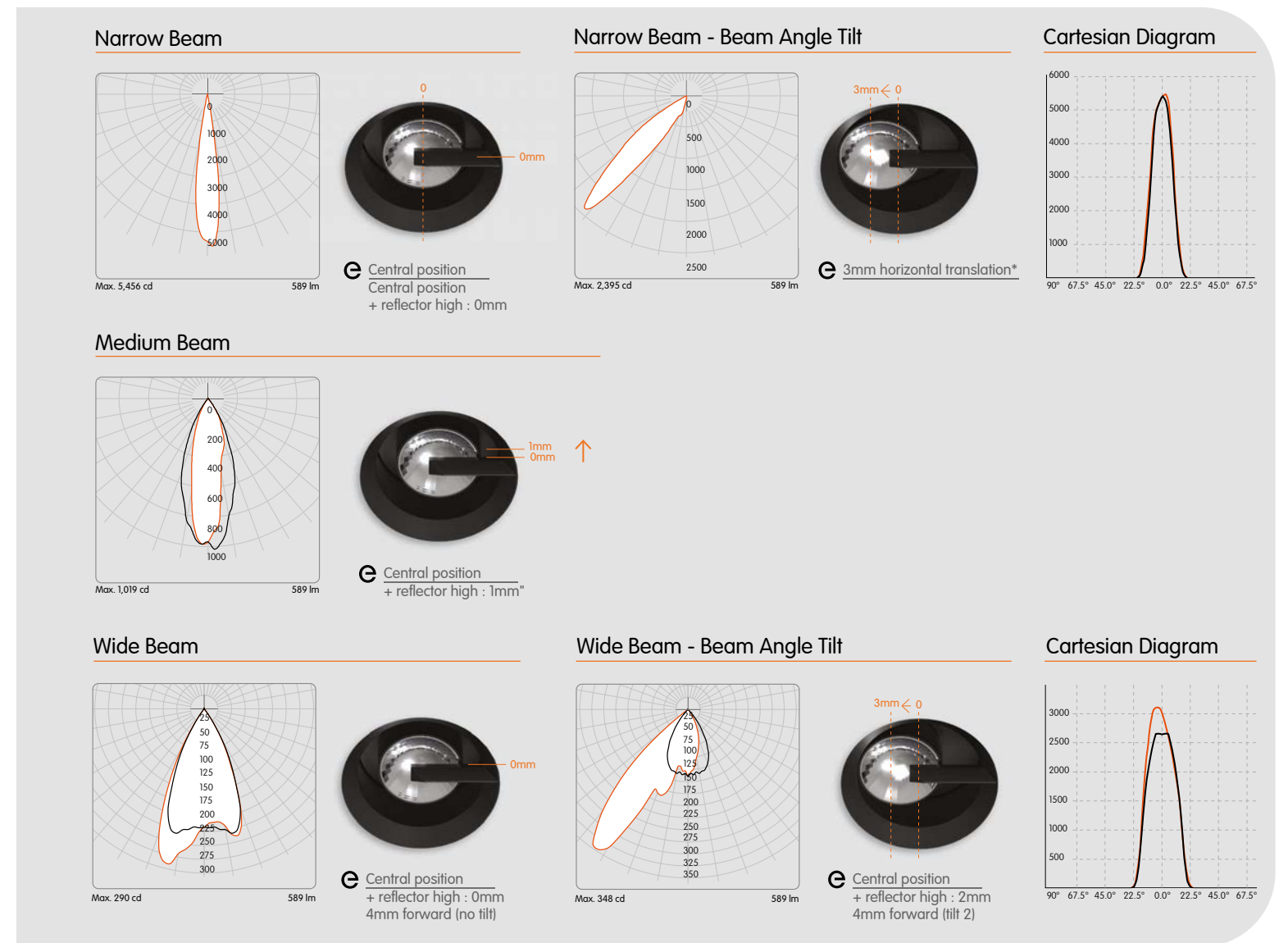
Series	Mounting	Finish	Output	Voltage	Dimming	Housing	Beam	CRI	CCT	Emergency	
<b>E3</b>	R	Recessed with Trim	W Flat White	L <sup>1</sup> 270 lm (4W)	1 120V	0 Non-Dim	A <sup>2</sup> Airtight Housing	N 10° to 30°	9 +90	27 2700K	N No
	T	Recessed Trimless	B Flat Black	M <sup>1</sup> 425 lm (6W)	U Universal 120V to 277V	1 0-10V to 1%	I <sup>2</sup> IC Housing	W 40° to 60°		30 3000K	9 90 mins
	S	Semi-Recessed	S Silver			2 0-10V to 0.1%	N <sup>2</sup> Non-IC Housing			35 3500K	
	P	Pendant	C Bronze			P ELV Dimming	R <sup>2</sup> Remodel Housing			40 4000K	
	M	Millwork	X Custom								
	E	Surface Mounted									

### Notes:

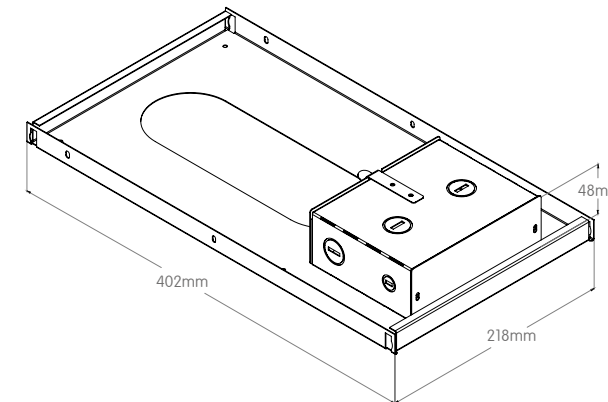
- <sup>1</sup> Denotes output at 3000K, unless otherwise noted.
- <sup>2</sup> Housings are only for recessed mounting.

## OPTICAL FLEXIBILITY

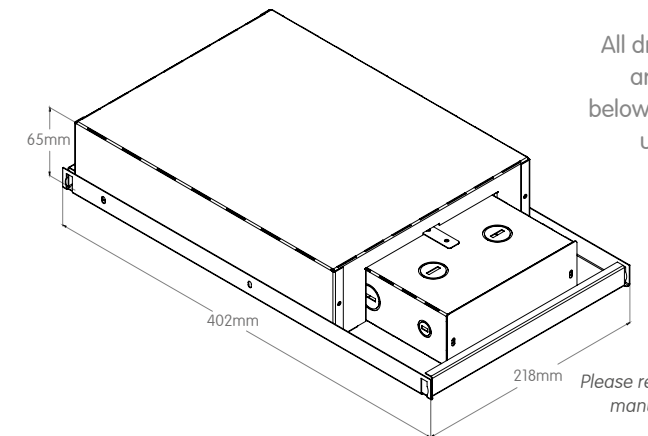
### Photometric data: Type C Polar Curves



## NON-IC HOUSING



## IC HOUSING & AIRTIGHT



All drivers enclosures are for install from below accessible from under the ceiling.

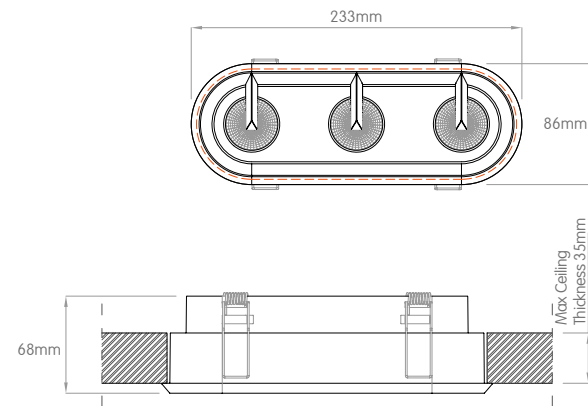
Please refer to the installation manuals for more details.

**MOUNTING FLEXIBILITY**

**TRIM**



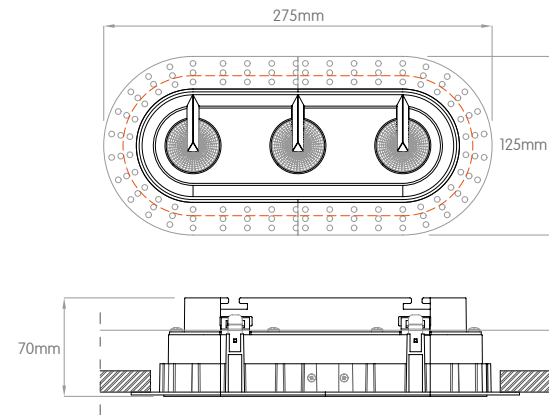
(225mm x Ø78mm)



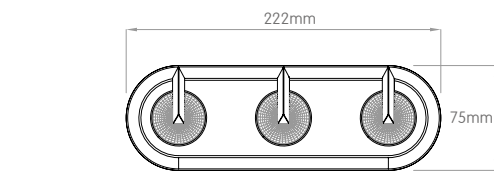
**TRIMLESS**



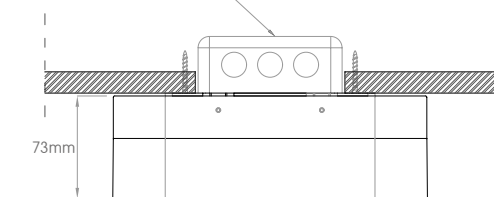
(246mm x Ø98mm)



**SURFACE MOUNTED**



Recommended J-BOX 50mm x 101mm - provided by the contractor

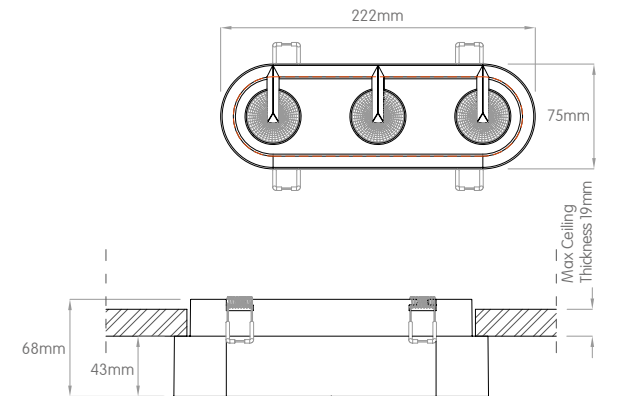


**MOUNTING FLEXIBILITY**

**SURFACE MOUNTED SEMI-RECESSED**



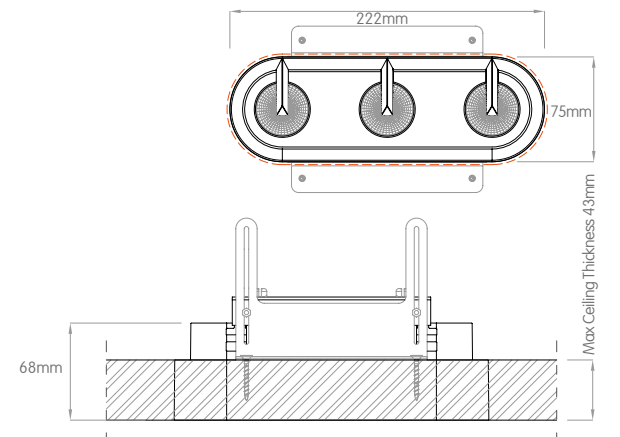
(205mm x Ø56mm)



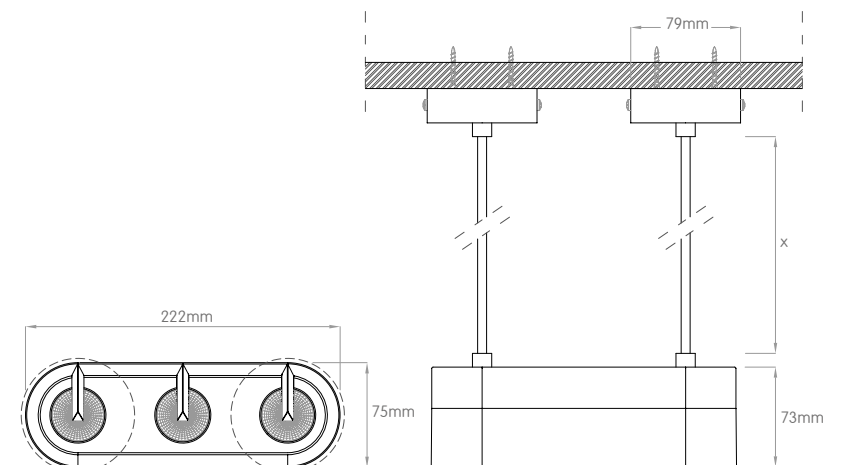
**MILLWORK**



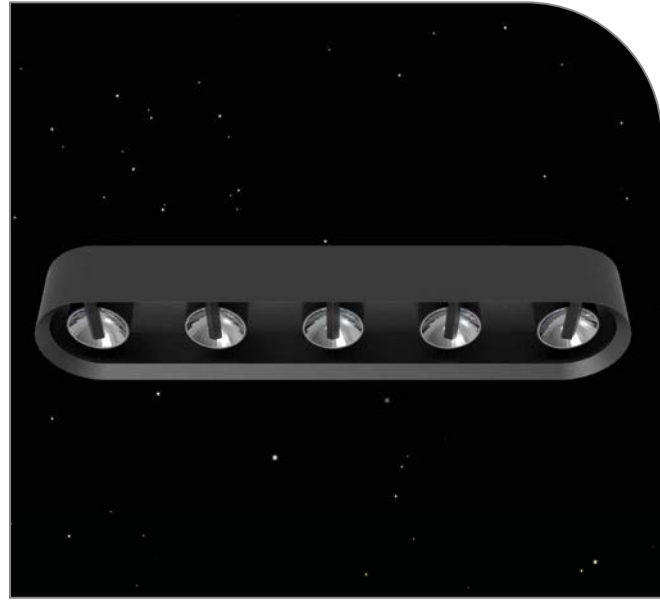
(225mm x Ø78mm)



**PENDANT**



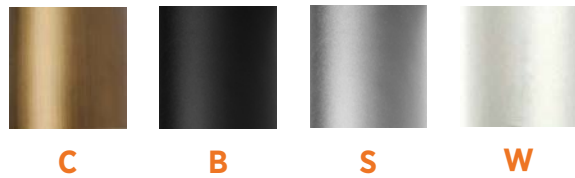
# ECLIPSE MULTIPLE FIVE CELLS



- Up to 2,350lm delivered output
- Completely glare free 100% reflected light
- Available in recessed with trim & trimless, semi-recessed, pendant, millwork and surface mounted
- Adjustable beam tilt up to 45° in any direction (360°)
- Adjustable beam spread from 10° to 30° (narrow reflector), from 40° to 60° (wide reflector)
- Available in 4 standard finishes: Black, white, silver and bronze
- Each reflector can be adjusted independently



## STANDARD FINISHES



## DELIVERED LUMEN OUTPUT PER CELL

Output	Watts	CRI +90		
		2700K	3000K	4000K
L	4W	240 lm	270 lm	300 lm
M	6W	380 lm	425 lm	470 lm

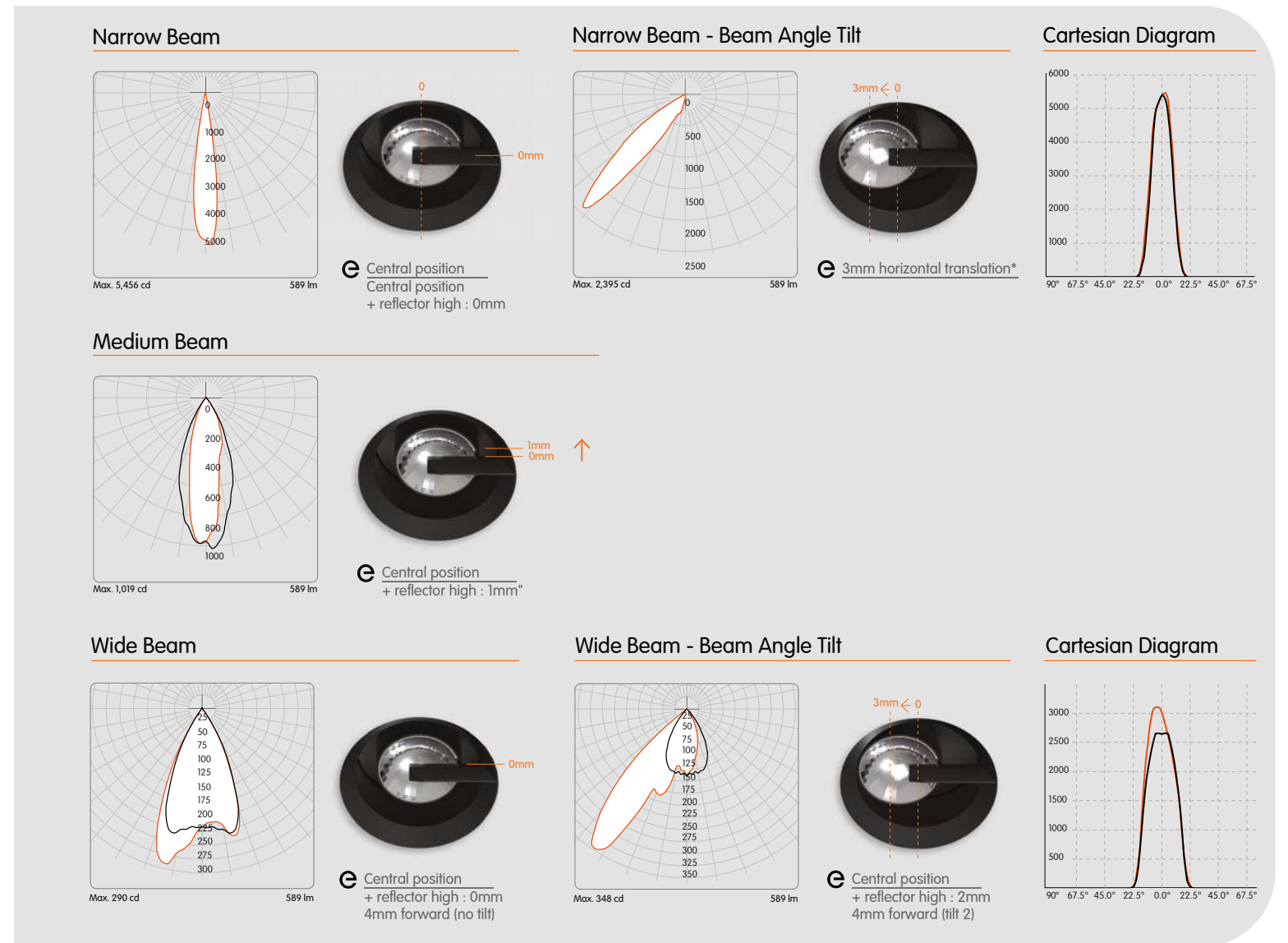
Code example: **E5-RW-L11R-N927-9**

Series	Mounting	Finish	Output	Voltage	Dimming	Housing	Beam	CRI	CCT	Emergency
<b>E5</b>	R	W	L <sup>1</sup> 270 lm (4W)	1 120V	0 Non-Dim	A <sup>2</sup> Airtight Housing	N 10° to 30°	9 +90	27 2700K	N No
	T	B	M <sup>1</sup> 425 lm (6W)	U Universal 120V to 277V	1 0-10V to 1%	I <sup>2</sup> IC Housing	W 40° to 60°		30 3000K	9 90 mins
	S	S			2 0-10V to 0.1%	N <sup>2</sup> Non-IC Housing			35 3500K	
	P	C			P ELV Dimming	R <sup>2</sup> Remodel Housing			40 4000K	
	M	X								
E										

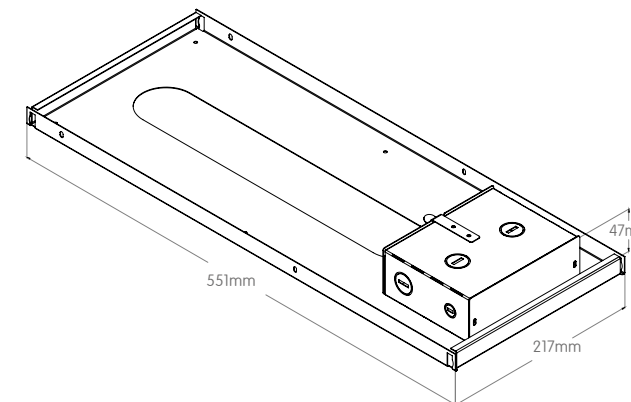
Notes:  
<sup>1</sup> Denotes output at 3000K, unless otherwise noted.  
<sup>2</sup> Housings are only for recessed mounting.

## OPTICAL FLEXIBILITY

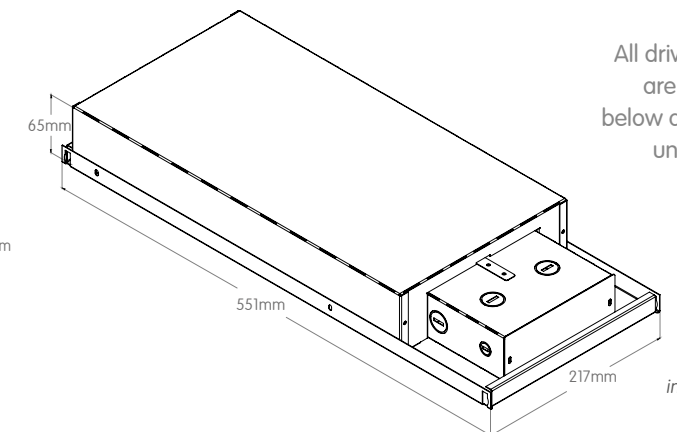
### Photometric data: Type C Polar Curves



## NON-IC HOUSING



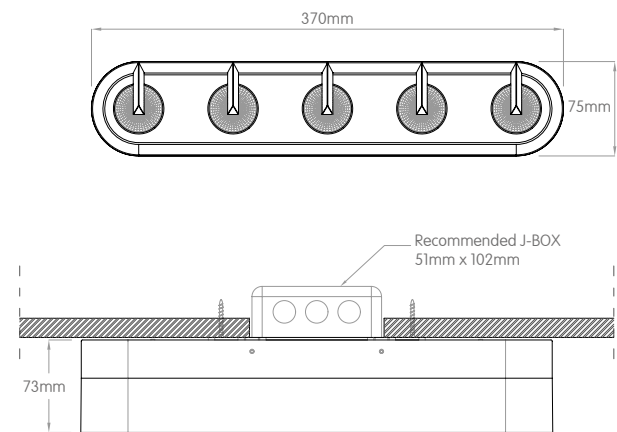
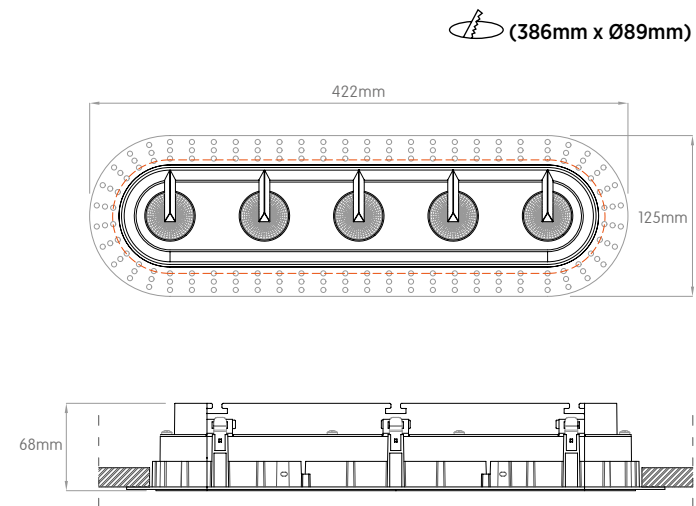
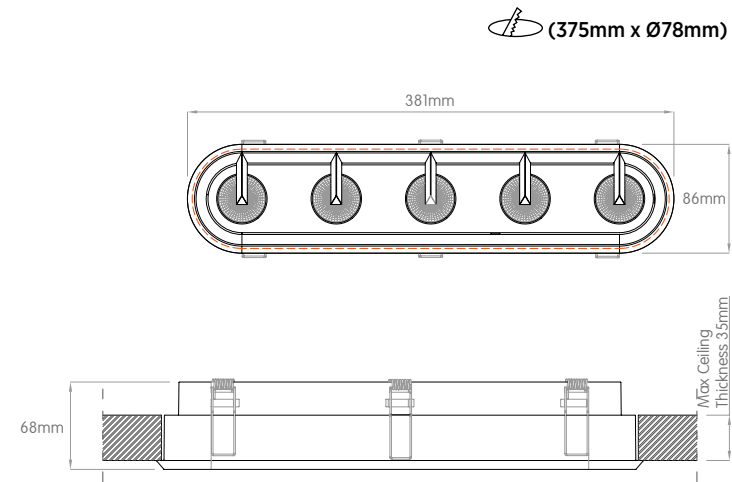
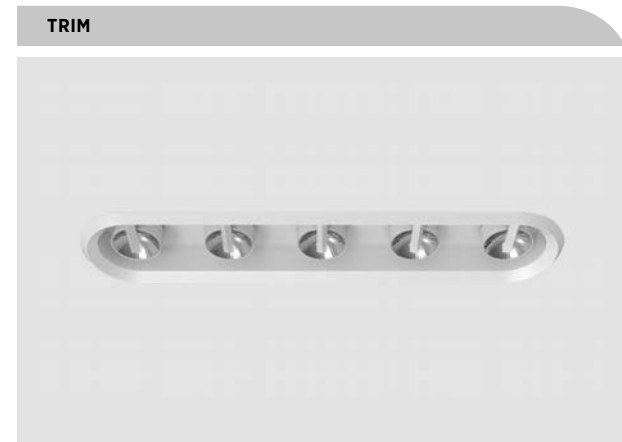
## IC HOUSING & AIRTIGHT



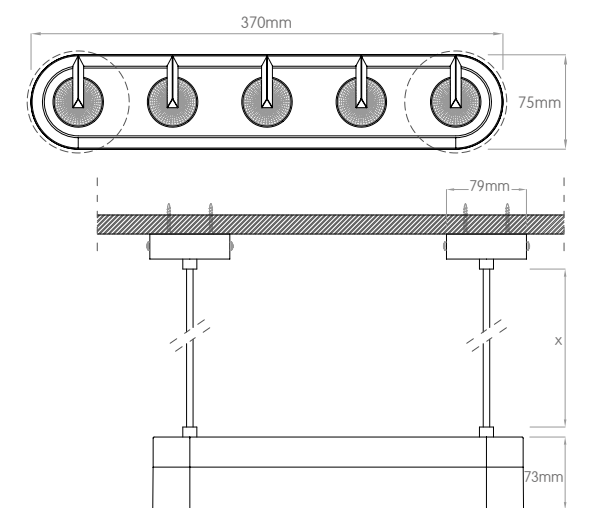
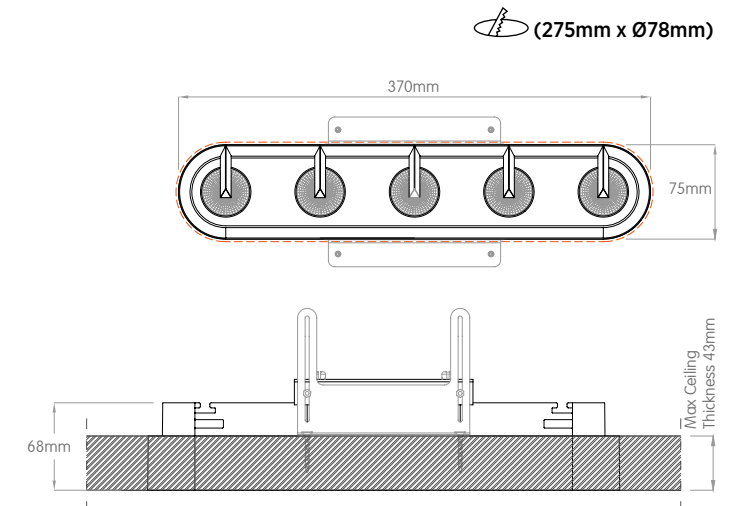
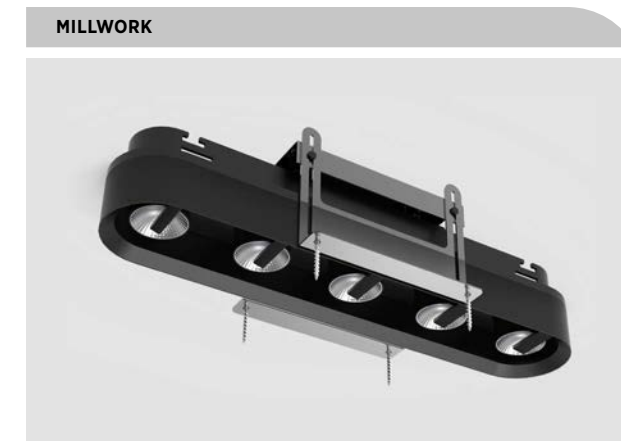
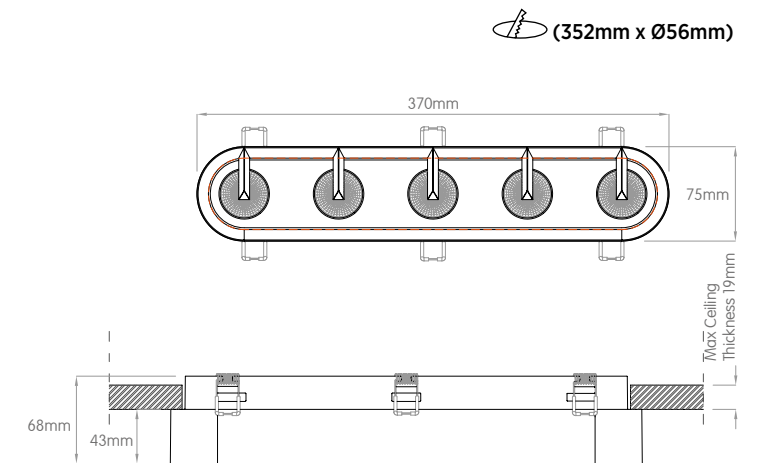
All drivers enclosures are for install from below accessible from under the ceiling.

Please refer to the installation manuals for more details.

MOUNTING FLEXIBILITY



MOUNTING FLEXIBILITY

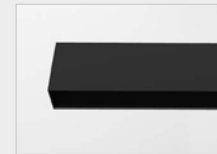




TRACK

specter

## Specter Track



Surface Mounted



Pendant



Recessed Trimless



Millwork



Circular

## Specter Modules



Break Opal



Break Dot



Drop Washer



Drop Dot



Undrop Opal



Undrop Washer



Undrop Dot



Snoot 0



Snoot 0 - Double



Snoot 1



Snoot 2



Snoot 1 Zoomable



Snoot 0 Pendant



Snoot 1 Pendant



Frame Forming Snoot



Gobo Snoot

A unique magnetic track providing ultimate flexibility for lighting any space. Allowing not only the designer, but also the end-user, to reconfigure the components with ease.

With a wide choice of luminaries and track options, SPECTER's minimalist design integrates seamlessly into any space. SPECTER combines simple aesthetics with a multitude of configurations, options, and effortless installation. The outcome is an ecosystem of quality components perfect for spaces where constant flexibility and high performance are required.

**The Break module** offers a wide range of optics along with a tilt up to 90° allowing the illumination of both horizontal or vertical planes.

**The Drop module** offers a semi-recessed fixture configuration with wide range of optics allowing the illumination of both horizontal or vertical planes.

**The Undrop module** offers a quietly recessed fixture configuration, flush with the face of the track. It comes with a wide range of lengths and optics, allowing the illumination of both horizontal or vertical planes, at different ceiling heights, ranging from a single level to a tall triple level atrium.

**The Snoot module** complements the SPECTER range with a minimalistic cylinder track-head equipped with a wide range of optics and optical accessories allowing professional scenography lighting.

**The Snoot Pendant module** complements the SPECTER range with a minimalistic pendant cylinder equipped with a wide range of optics and optical accessories allowing professional lighting.

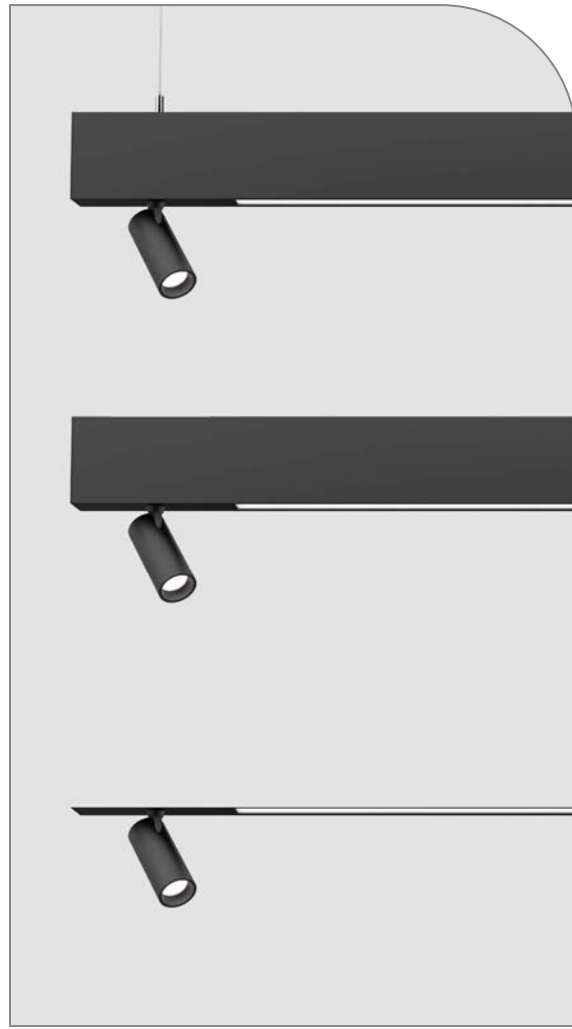


## **SPECTER TRACK**

Linear Standard

# SPECTER TRACK

## Linear Standard



- Magnetic track system ensures wall and ceiling continuity
- Track system dedicated to SPECTER fixtures range
- Recessed trimless, trim, millwork, surface mounted, pendant
- Supports 2 independant 24VDC low voltage circuits
- Dimmable remote driver available in ELV, 0-10V and DALI
- Each track run can support up to 450W on one feed
- Track system is configured and made-to-size for your projects
- 5 years limited warranty



Code example: **SPSS-F02W-01-2**

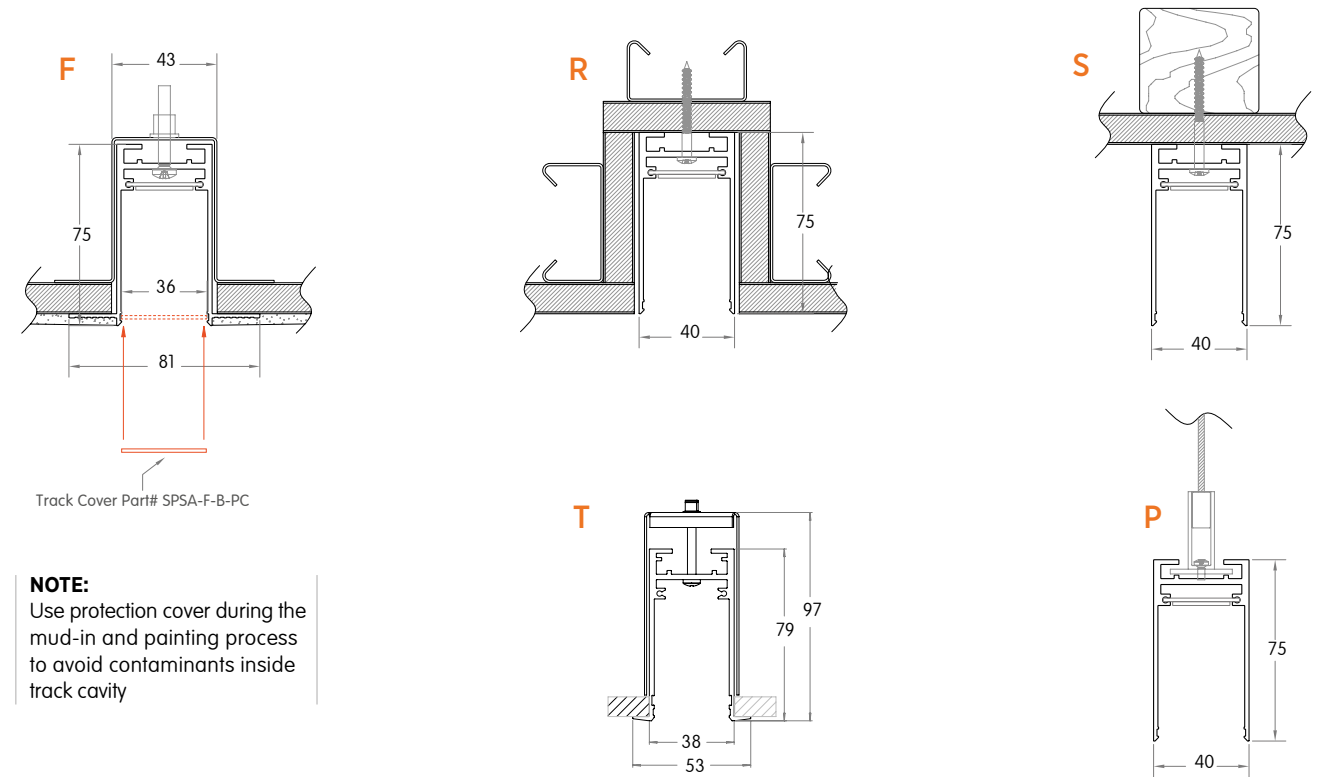
Series	Mounting	Length Increments*	Body Finish	Dimming	Circuit	
<b>SPSS</b>	F	Recessed Trimless	02 61 mm	W White	01 0-10V Dimming to 10%	1 1-Circuit
	T	Recessed Trim	04 105 mm	B Black	EL ELV Dimming to 10%	2 2-Circuit
	R	Recessed Millwork	05 140 mm	S Silver	DL Dali Dimming	
	S	Surface Mounted	18 465 mm	Z Bronze		
	P	Pendant	XX Custom	X Custom		

\*Please create that track's length using the above increments.

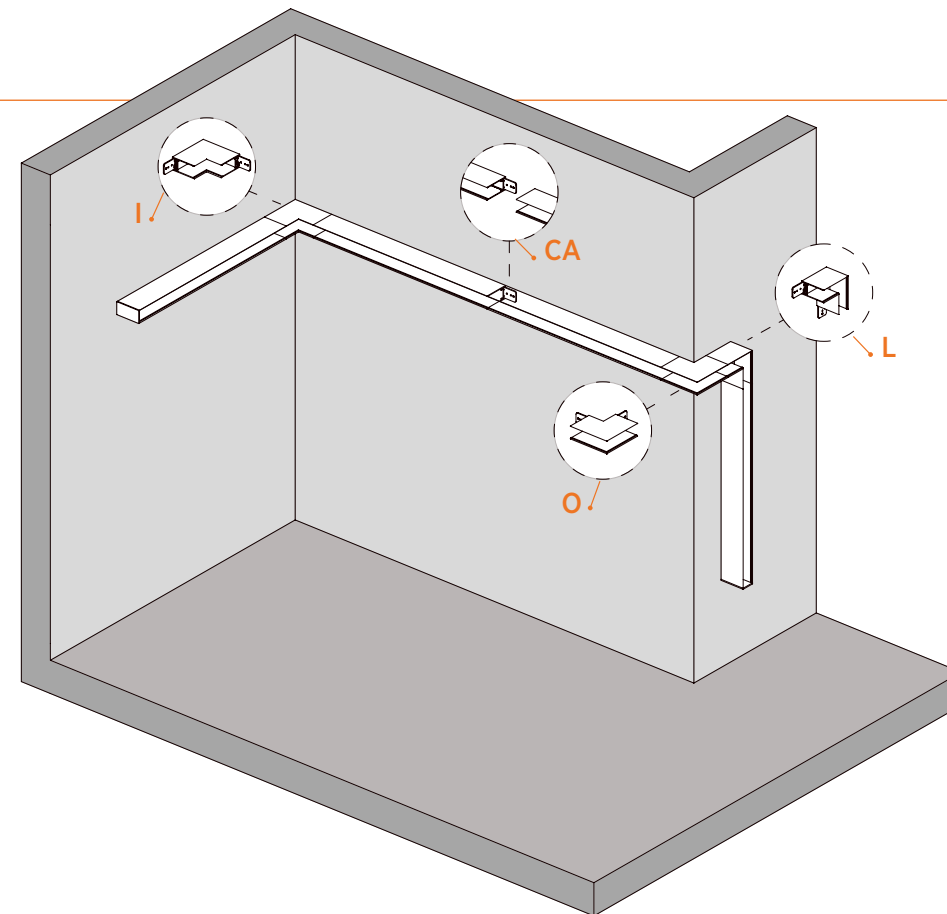
### OPTICAL & MOUNTING DETAILS

Per Millimeter

#### TRACK MOUNTING DETAILS

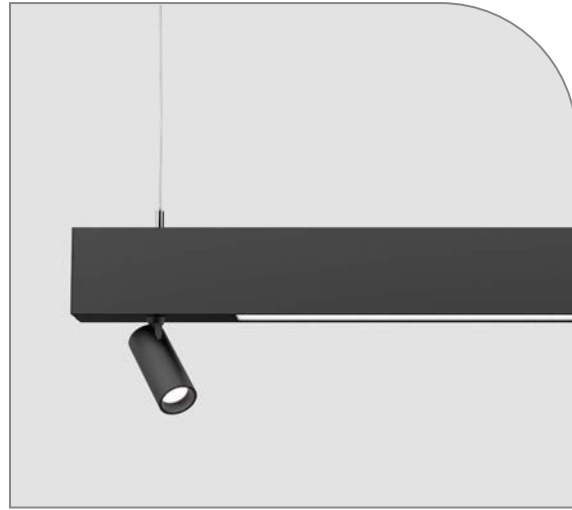


#### SPECTER TRACK SYSTEM



# SPECTER TRACK

## Linear Standard with Uplight



- Magnetic track system ensures wall and ceiling continuity
- Track system dedicated to SPECTER fixtures range
- Pendant with uplight
- Supports 2 independent 24VDC low voltage circuits
- Dimmable remote driver available in ELV, 0-10V and DALI
- Each track run can support up to 450W on one feed
- Track system is configured and made-to-size for your projects
- Pendant version available with uplight LED strip up to 500lm/ft (1650lm/m)
- 5 years limited warranty



PENDANT WITH UPLIGHT TRACK

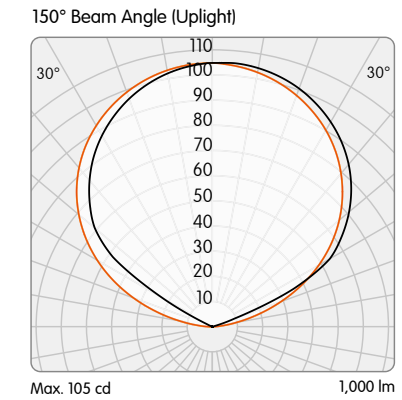
Code example: **SPSS-U02W-L930-01-2**

Series	Mounting	Length Increments*	Body Finish	Output	CRI	Color Temp	Dimming	Circuit
<b>SPSS</b>	U Pendant with Uplight	02 2 1/2" (65 mm)	W White	L 4.7W (300lm/ft) (980lm/m)	8 +80	27 2700K	01 0-10V Dimming to 10%	1 1-Circuit
		04 4 1/8" (105 mm)	B Black	M 8W (500lm/ft) (1650lm/m)	9 +90	30 3000K	EL ELV Dimming to 10%	2 2-Circuit
		05 5 1/2" (140 mm)	S Silver			35 3500K	DL Dali Dimming	
		18 18 3/8" (465 mm)	Z Bronze			40 4000K		
		XX Custom	X Custom					

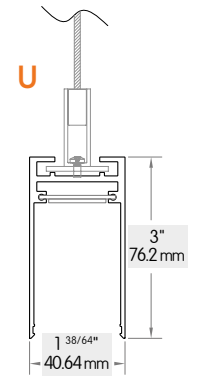
\*Please create that track's length using the above increments.

### OPTICAL & MOUNTING DETAILS

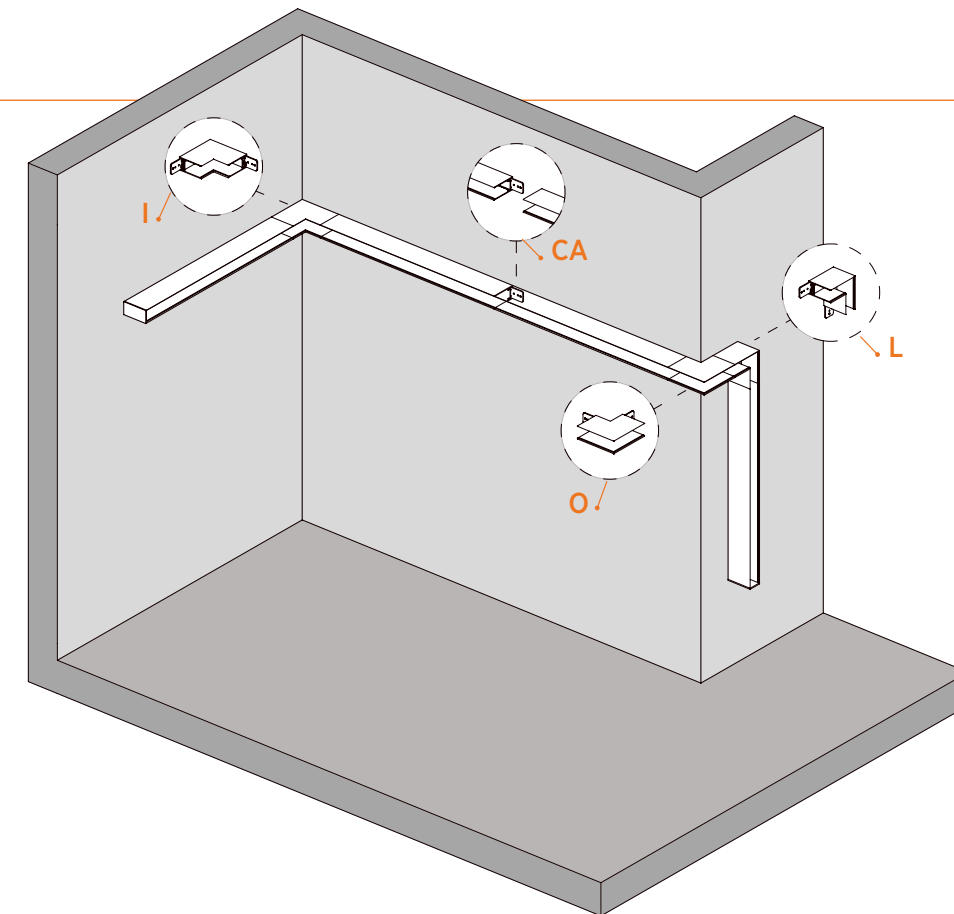
#### TRACK OPTICAL POLAR CURVE



#### TRACK MOUNTING DETAILS



#### SPECTER TRACK SYSTEM



SPSA ACCESSORIES



**CA** CONNECTION COUPLER A  
**CB** CONNECTION COUPLER B



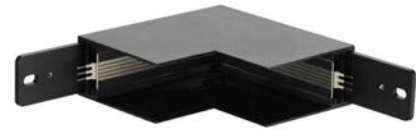
**PA** SUSPENSION KIT A  
**PB** SUSPENSION KIT B



**SPSS** SPECTER TRACK



**L** "L" CORNER



**I** INNER CORNER



**O** OUTER CORNER



**A** ANGLE CONNECTOR



**V** CROSS CONNECTOR



**T** "T" CONNECTOR

SPSS AVAILABLE MODULES

BREAK



BREAK DOT



BREAK LINE

**SPSF-B03W-W-N827-2**

SNOOT



SNOOT

**SPSF-S15W-W-N827-2**

UNDROP



UNDROP DOT



UNDROP LINE



UNDROP WASHER

**SPSF-U03W-W-N827-2**

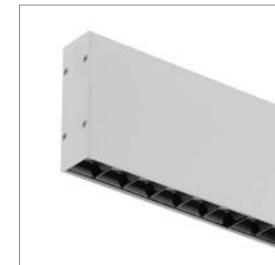
SNOOT PENDANT



PENDANT

**SPSF-P15W-W-N827-2**

DROP



DROP DOT



DROP LINE

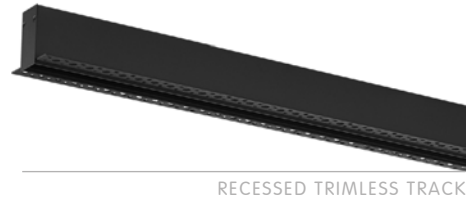
**SPSF-D12W-W-N827-2**

# SPECTER TRACK

## Linear Mini



- Magnetic track system ensures wall and ceiling continuity
- Track system dedicated to SPECTER fixtures range
- Recessed trimless, millwork, surface mounted, pendant
- Supports 2 independent 24VDC Low voltage circuits
- Dimmable remote driver available in ELV, 0-10V and DALI
- Each track run can support up to 450W on one feed
- Track system is configured and made-to-size for your projects
- Pendant version available with upright LED strip up to 500lm/ft
- 5 years limited warranty



Code example: **SPMS**-F02W-01-2

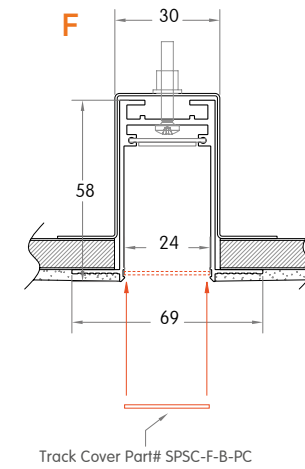
Series	Mounting	Length Increments*	Body Finish	Dimming	Circuit	
<b>SPMS</b>	F	Recessed Trimless	02 61 mm	W White	01 0-10V Dimming to 10%	1 1-Circuit
	R	Recessed Millwork	04 105 mm	B Black	EL ELV Dimming to 10%	2 2-Circuit
	S	Surface Mounted	05 140 mm	S Silver	DL Dali Dimming	
	P	Pendant	18 465 mm	Z Bronze	XX Custom	
			XX Custom	X Custom		

\*Please create that track's length using the above increments.

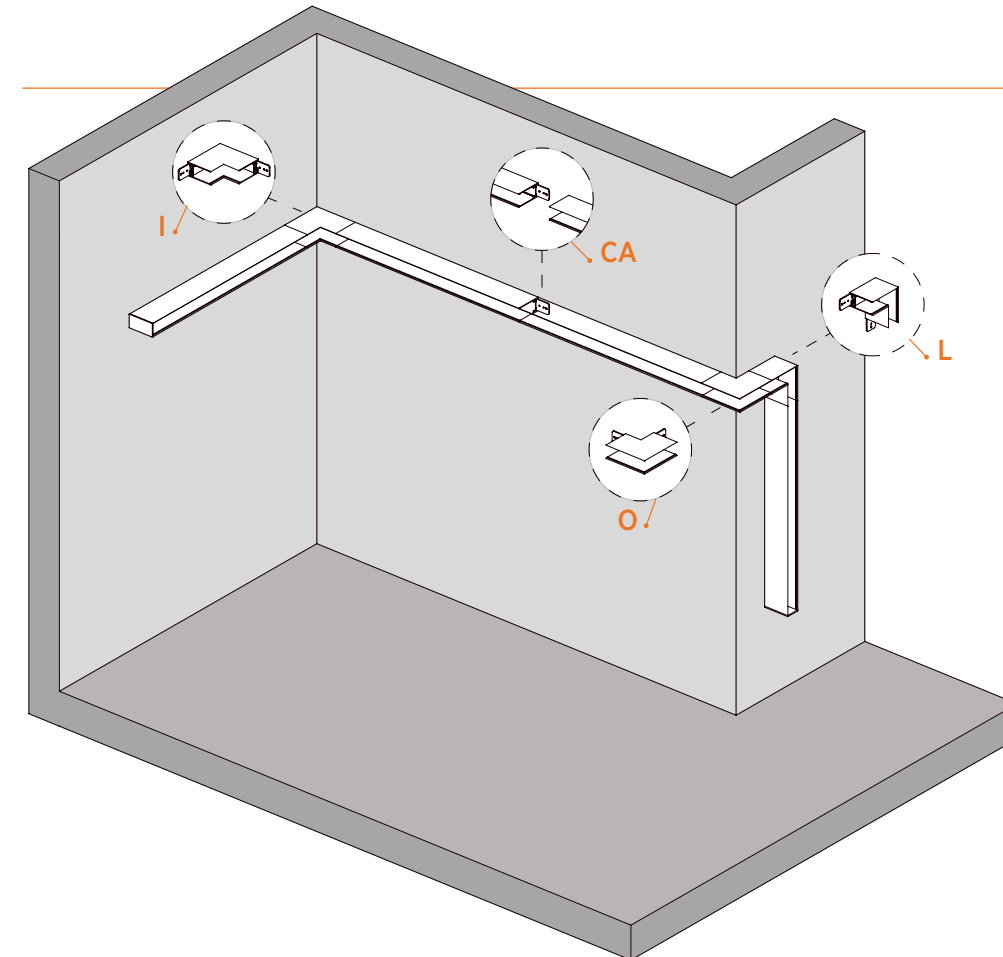
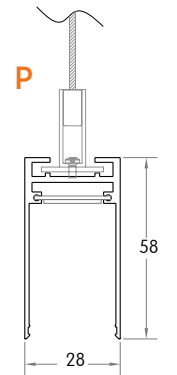
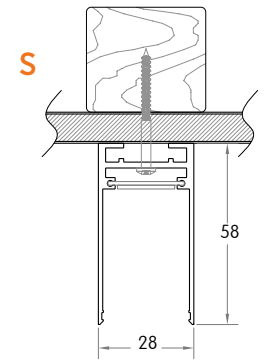
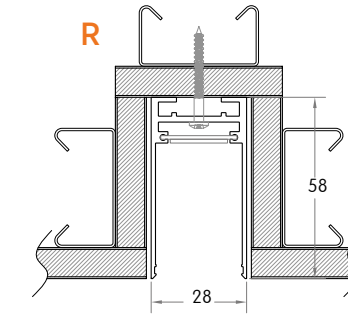
### OPTICAL & MOUNTING DETAILS

Per Millimeter

#### TRACK MOUNTING DETAILS



**NOTE:**  
Use protection cover during the mud-in and painting process to avoid contaminants inside track cavity



#### SPECTER TRACK SYSTEM

# SPECTER TRACK

## Linear Mini with Uplight



- Magnetic track system ensures wall and ceiling continuity
- Track system dedicated to SPECTER fixtures range
- Pendant with uplight
- Supports 2 independent 24VDC Low voltage circuits
- Dimmable remote driver available in ELV, 0-10V and DALI
- Each track run can support up to 450W on one feed
- Track system is configured and made-to-size for your projects
- Pendant version available with uplight LED strip up to 500lm/ft
- 5 years limited warranty



PENDANT WITH UPLIGHT

Code example: **SPMS-F02W-01-2**

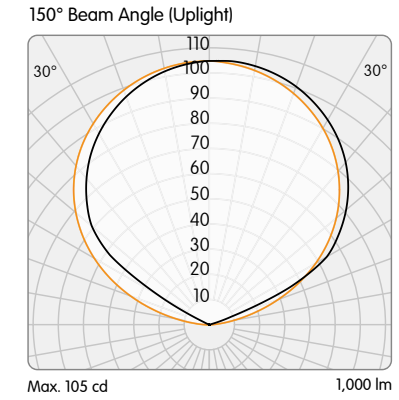
Series	Mounting	Length Increments*	Body Finish	Output	CRI	Color Temp	Dimming	Circuit
<b>SPMS</b>	U Pendant with Uplight	02 65 mm	W White	L 4.7W (980lm/m)	9 +90	27 2700K	01 0-10V Dimming to 10%	1 1-Circuit
		04 105 mm	B Black	M 8W (1650lm/m)		30 3000K	EL ELV Dimming to 10%	
		05 140 mm	S Silver			35 3500K	DL Dali Dimming	
		18 465 mm	Z Bronze			40 4000K		
		XX Custom	X Custom					

\*Please create that track's length using the above increments.

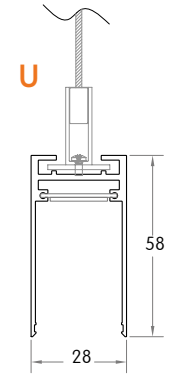
### OPTICAL & MOUNTING DETAILS

Per Millimeter

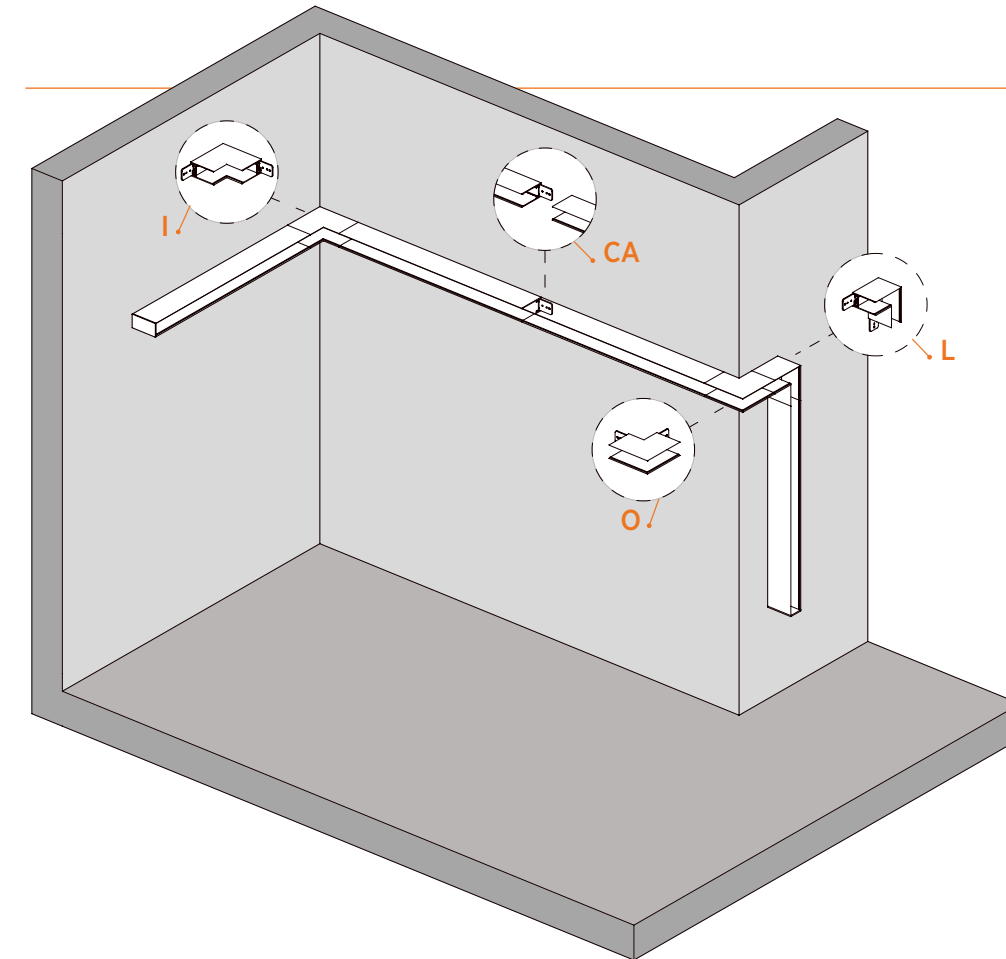
#### TRACK OPTICAL POLAR CURVE



#### TRACK MOUNTING DETAILS



#### SPECTER TRACK SYSTEM



SPSA ACCESSORIES



**CA** CONNECTION COUPLER A  
**CB** CONNECTION COUPLER B



**PA** SUSPENSION KIT A  
**PB** SUSPENSION KIT B



**SPMS** SPECTER TRACK



**L** "L" CORNER



**IT** INPUT TERMINAL



**DP** DECORATIVE PLATE



**TR** TRACK COVER



**EC** END CAP



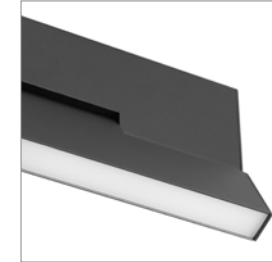
**T** "T" CONNECTOR

SPMS AVAILABLE MODULES

BREAK



BREAK DOT



BREAK LINE

**SPSM-B04W-W-N827-2**

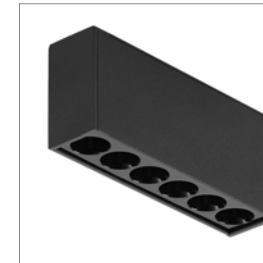
SNOOT



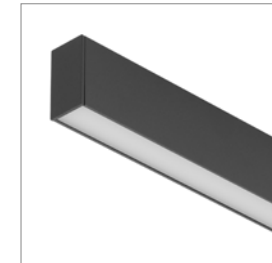
SNOOT

**SPMS-S15W-W-N827-2**

UNDROP



UNDROP DOT



UNDROP LINE

**SPSM-U04W-W-N827-2**

SNOOT PENDANT



PENDANT

**SPMS-P15W-W-N827-2**

# SPECTER TRACK

## Linear Curved



- Magnetic track system ensures wall and ceiling continuity
- Track system dedicated to SPECTER fixtures range
- Recessed millwork, surface mounted, pendant
- Supports 2 independant 24VDC Low voltage circuits
- Dimmable remote driver available in ELV, 0-10V and DALI
- Each track run can support up to 450W on one feed
- Track system is configured and made-to-size for your projects
- Pendant version available with upright LED strip up to 500lm/ft
- 5 years limited warrant
- Standard 36" diameter curve



CIRCULAR PROFILE



HALF CIRCLE TRACK

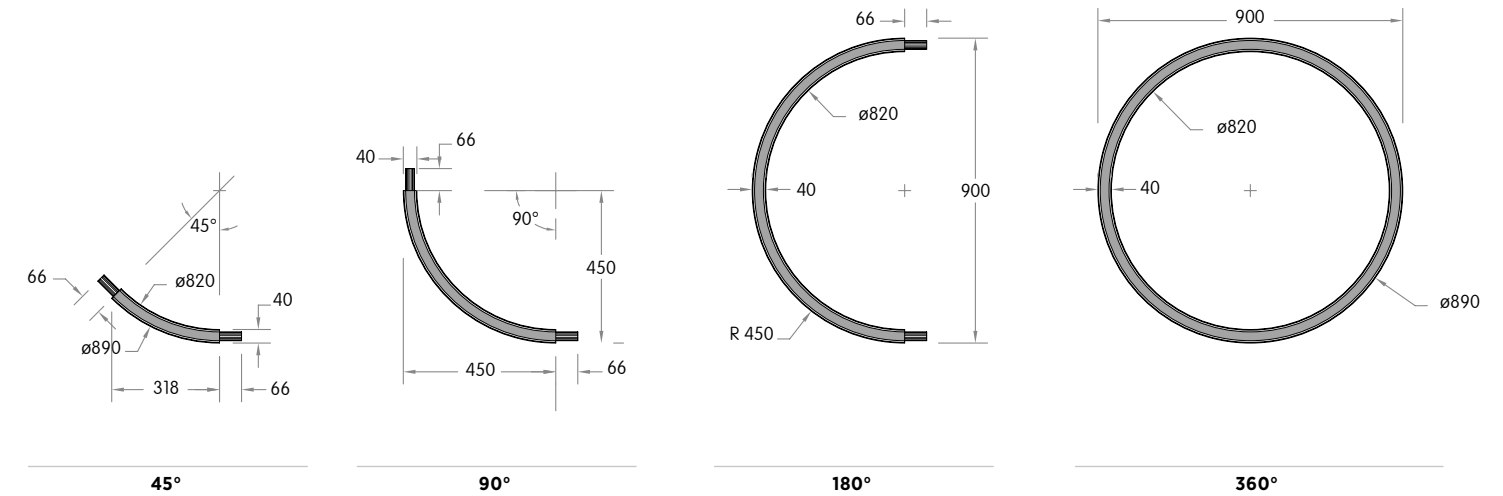
Code example: **SPCS** - R45W-01-2

Series	Mounting	Nominal Arc Angle	Body Finish	Dimming	Circuit	
<b>SPCS</b>	R	Recessed Millwork	45 45°	W White	01 0-10V Dimming to 10%	1 1-Circuit
	S	Surface Mounted	90 90°	B Black	EL ELV Dimming to 10%	2 2-Circuit
	P	Pendant	18 180°	S Silver	DL Dali Dimming	
			36 360°	Z Bronze	XX Custom	
			XX Custom	X Custom		
For exact lengths refer to dimensions table.						

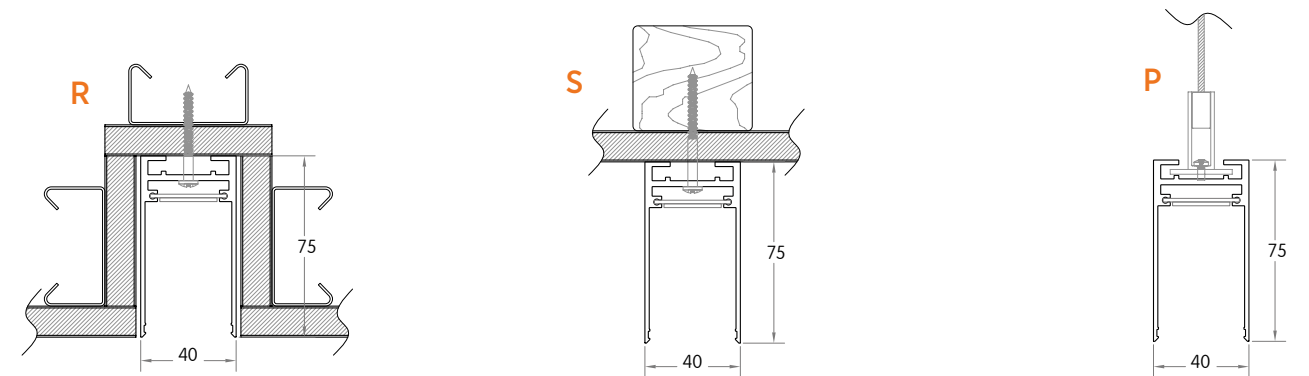
## OPTICAL & MOUNTING DETAILS

Per Millimeter

### CIRCULAR TRACK



### TRACK MOUNTING DETAILS



# SPECTER TRACK

## Linear Curved with Uplight



- Magnetic track system ensures wall and ceiling continuity
- Track system dedicated to SPECTER fixtures range
- Recessed millwork, surface mounted, pendant
- Supports 2 independant 24VDC Low voltage circuits
- Dimmable remote driver available in ELV, 0-10V and DALI
- Each track run can support up to 450W on one feed
- Track system is configured and made-to-size for your projects
- Pendant version available with uplight LED strip up to 500lm/ft
- 5 years limited warrant
- Standard 36" diameter curve



CIRCULAR PROFILE



HALF CIRCLE TRACK

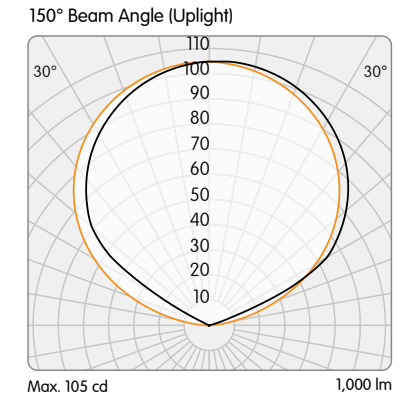
Code example: **SPCS**-U45W-L927-01-2

Series	Mounting	Nominal Arc Angle	Body Finish	Output	CRI	Color Temp	Dimming	Circuit	
<b>SPCS</b>	U Pendant with Uplight	45	45°	W White	L 4.7W (980lm/m)	9 +90	27 2700K	01 0-10V Dimming to 10%	1 1-Circuit
		90	90°	B Black	M 8W (1650lm/m)		30 3000K	EL ELV Dimming to 10%	2 2-Circuit
		18	180°	S Silver			35 3500K	DL Dali Dimming	
		36	360°	Z Bronze			40 4000K	XX Custom	
		XX	Custom	X Custom					
For exact lengths refer to dimensions table.									

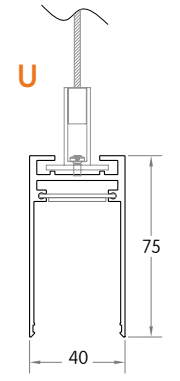
### OPTICAL & MOUNTING DETAILS

Per Millimeter

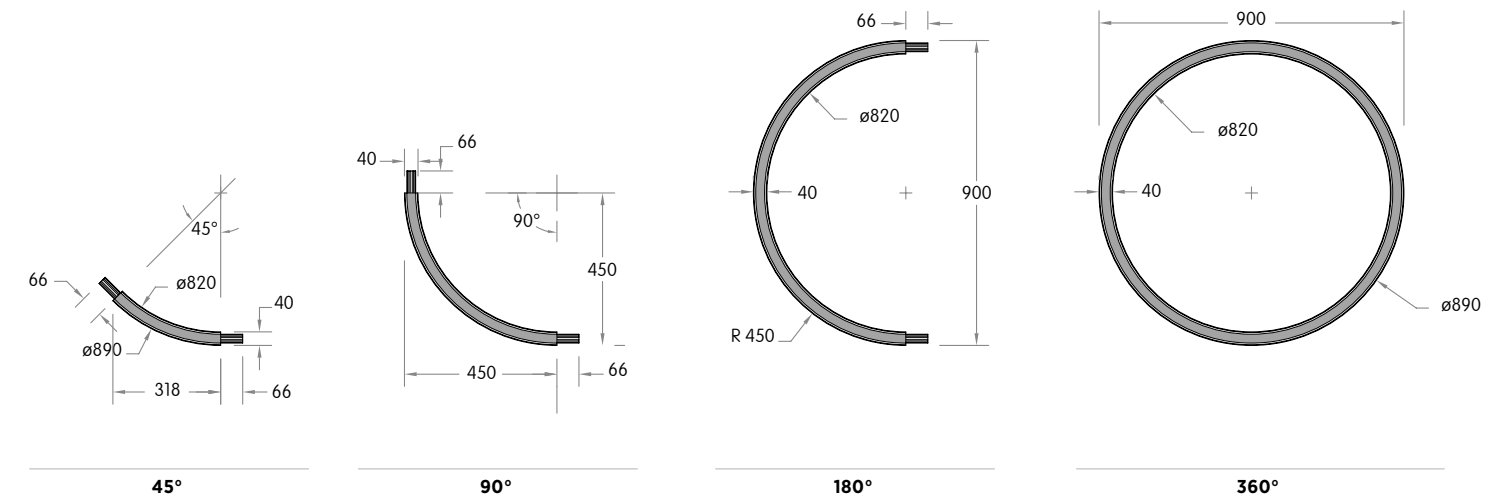
#### TRACK OPTICAL POLAR CURVE



#### TRACK MOUNTING DETAILS

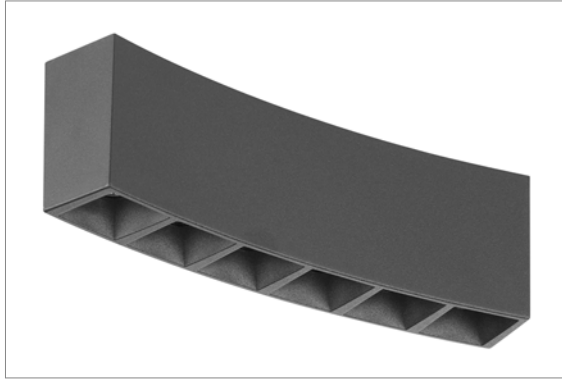


#### CIRCULAR TRACK



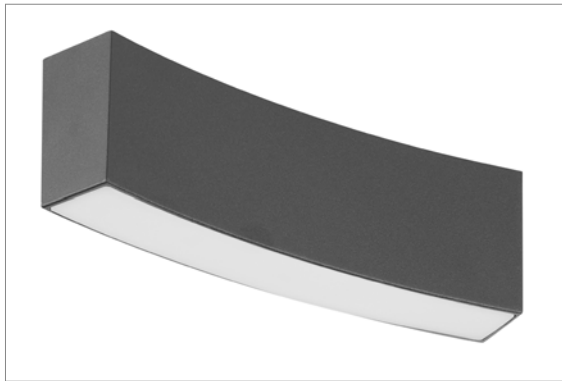
SPCS AVAILABLE MODULES

UNDROP DOT



**SPSH-U**04W-W-N827-2

UNDROP LINE



**SPSH-O**06W-W-L827-2

SNOOT



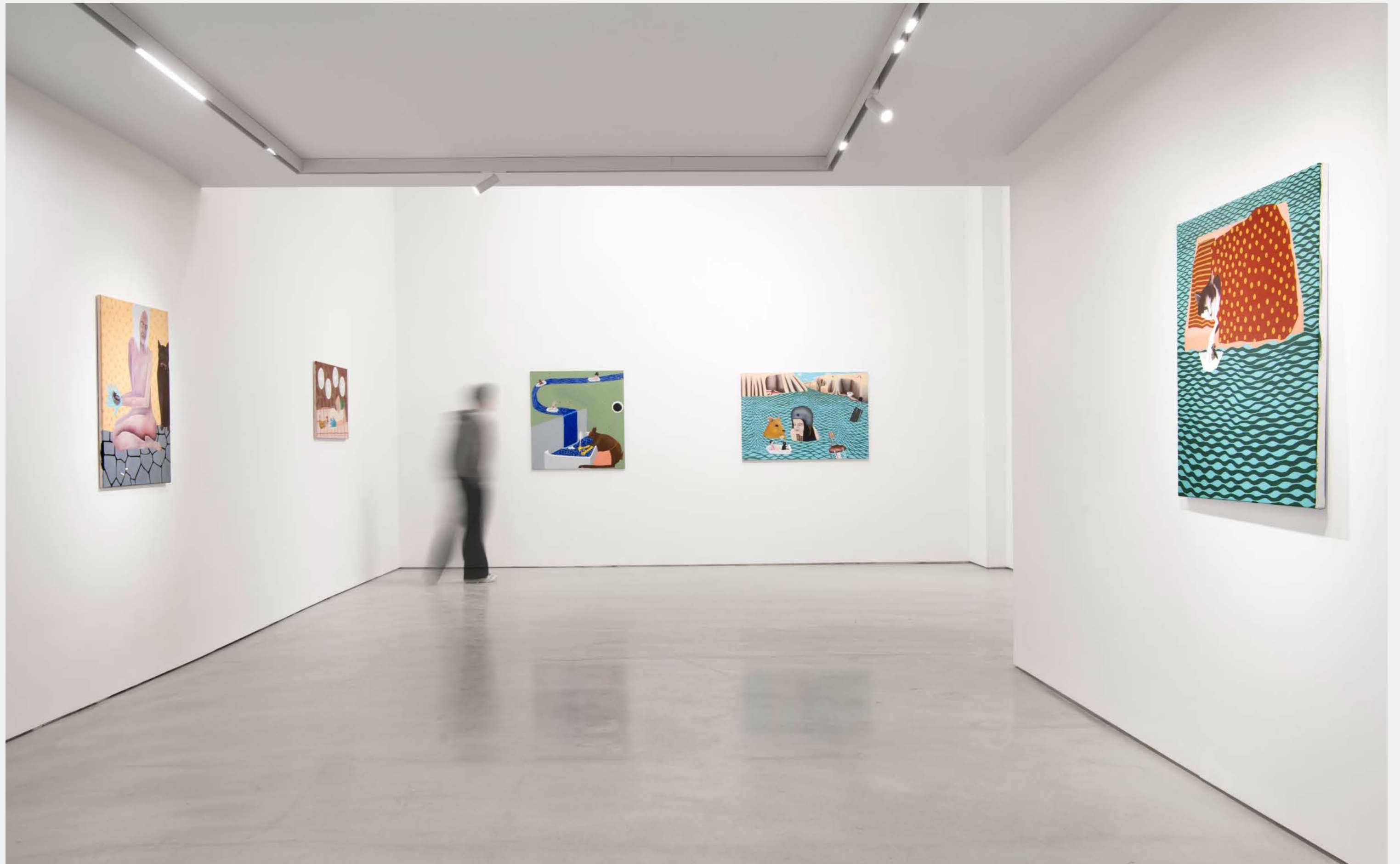
SNOOT

**SPSH-S**15W-W-N827-2

SNOOT PENDANT



**SPSH-P**20W-W-N827-2



# **SPECTER TRACK**

Drivers

# SPECTER TRACK

## Driver 60

### KVG-DW Series 60W



### FEATURES

**Output :** Constant Voltage

**Range :** 100-277VAC

**PFC design :** Built-in active PFC function

**Protections :** Short circuit/ over load/ over temperature

**Waterproof performance :** Full protection plastic housing, for dry, damp locations

**Dimming features:** Fine-tune the voltage by the knob

**Dimming function :**

Phase dimming: work with Forward phase, MLV and Reverse phase, ELV, TRIAC dimmers

0-10V dimming : 0-10V / 1-10V / Potentiometer / 10V PWM 4 in 1

**Dimming range :** 0-100%

**Warranty :** 5 years warranty

### DRIVER 60 SPECIFICATION

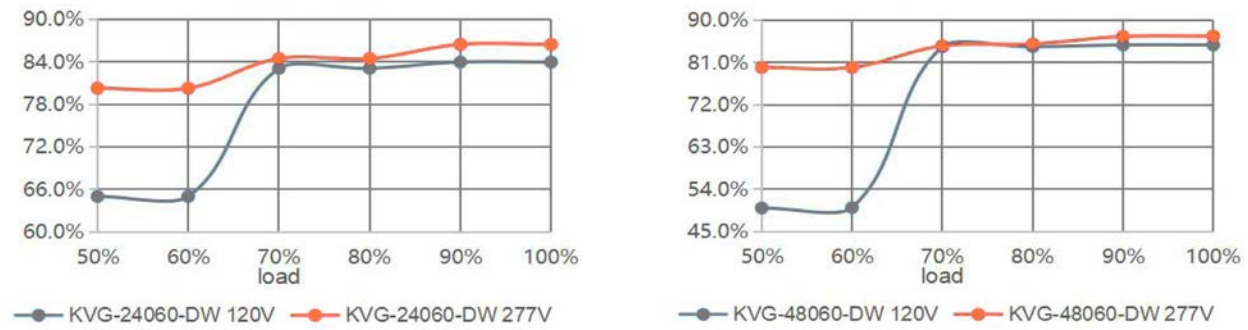
MODEL		KVG-24060-DW	KVG-48060-DW
<b>Output</b>	DC Voltage	24V (21.5V-25.5V adjust by knob)	48V (46V-50V adjust by knob)
	Voltage Tolerance	±0.5V	±0.5V
	Voltage Regulation	±0.5%	±0.5%
	Rated current	2.5A	1.25A
	Rated power	60W	60W
	Load Regulation	±1%	±1%
<b>Input</b>	Voltage Range	100-277VAC	100-277VAC
	Frequency Range	47 - 63Hz	47 - 63Hz
	Power Factor @ full load	0.98@120VAC & 0.95@277VAC	0.98@120VAC & 0.95@277VAC
	THD (Typ.) @ full load	<20%@120VAC & 277VAC	<20%@120VAC & 277VAC
	Efficiency (Typ.) @ full load	≥83%@120VAC & ≥86%@277VAC	≥84%@120VAC & ≥86%@277VAC
	AC Current (Max.)	≤0.9A	1.5A
	Inrush Current (Typ.)	22.4A, 82us@50%120VAC & 42.4A, 47us@50%277VAC	22.4A, 82us@50%120VAC & 42.4A, 47us@50%277VAC
	Leakage current	<0.5mA	<0.5mA
<b>Protection</b>	Short Circuit	Hiccup mode, recovers automatically after fault condition removed	
	Over Load	≤120% Hiccup mode, recovers automatically after fault condition is removed	
	Over temperature	Shell surface temp.100° C ±10° C shut down o/p voltage, automatically recover after cooling	
<b>Environment</b>	Working TEMP.	-40~+60° C (see below derating curve)	
	Working Humidity	20 - 90% RH non-condensing	
	Storage TEM., Humidity	-40 - +80° C, 10 - 95% RH non-condensing	
	TEMP. coefficient	±0.03%/° C (0 - 50° C)	
	Vibration	10~500Hz, 2G 12min./1 cycle, period for 72min. each along X,Y,Z axes	
<b>Safety &amp; EMC</b>	Safety standards	UL8750 CAN/CSA-C22.2 No.250.13 (US)	
	Withstand voltage	I/P-O/P:1.8KVAC (US)	
	Isolation resistance	I/P-O/P:100M / 500VDC / 25° C / 70% RH	
	EMC Emission	FCC 47 CFR Part 15, Subpart B (US)	
<b>Others</b>	Net Weight	0.34Kg	
	Dimension	178.0*61.1*24mm (L*W*H)	
	Packing	290*215*140mm 20pcs / CTN 7.3Kg / CTN	

### Notes

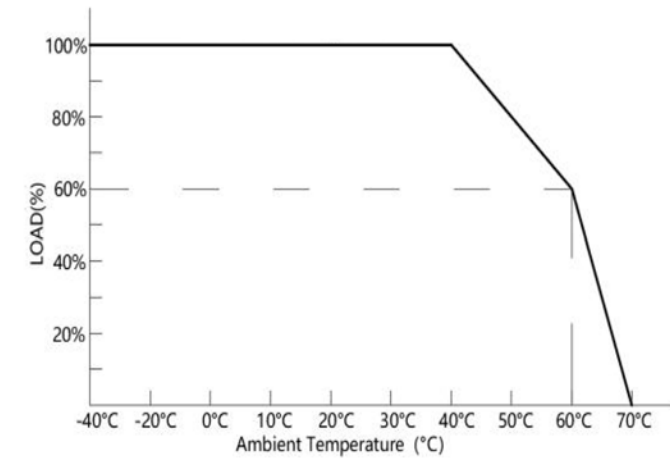
<sup>1</sup> All parameters not specially mentioned are measured at 120VAC input, rated load and 25° C of ambient temperature.  
<sup>2</sup> Tolerance: includes set up tolerance and load regulation.

## CURVES DETAILS

### EFFICIENCY CURVE (EFFICIENCY VS OUTPUT LOAD)



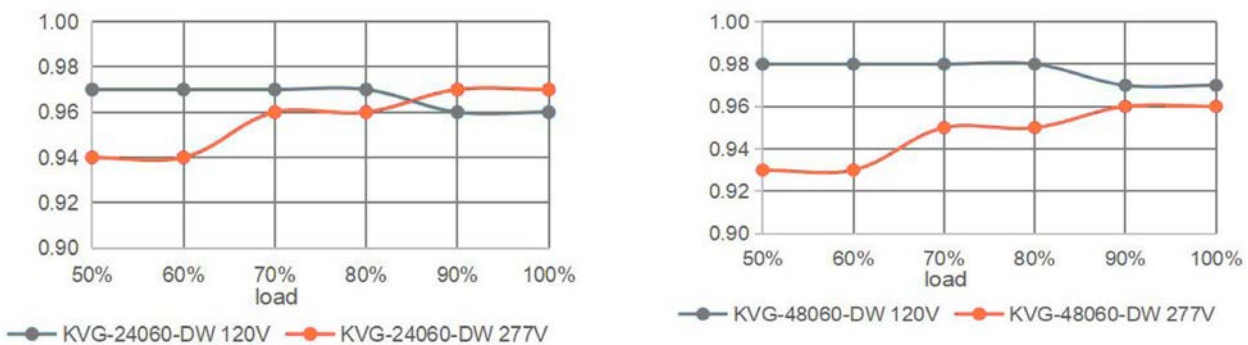
### DERATING CURVE (OUTPUT LOAD VS TEMP.)



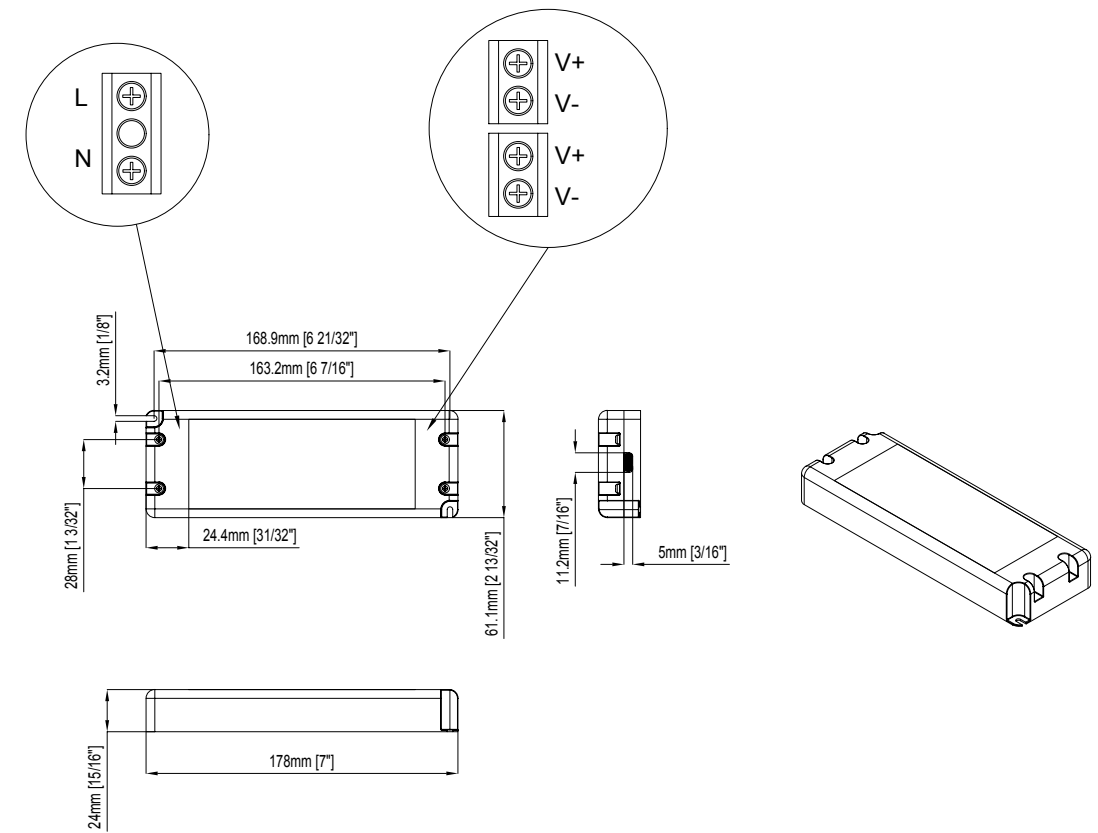
**NOTE:**

1. To extend their life, please refer to the Derating Curve and derate according to the temperature.
2. Please note that the rise in temperature of LED fixtures over a long period of time will cause their power to rise. Therefore, we recommend the power supply to reserve a certain amount of load to avoid overloading.

### POWER FACTOR CURVE (OUTPUT LOAD VS TEMP.)



## MECHANICAL SPECIFICATION



### 24V | 48 V Version

1. Connect Live and Neutral wire to PRI (L) and (N) of power supply terminals.
2. Connect LED light to SEC Positive (LED+) and Negative (LED-) of power supply terminals.
3. Connect the dimming signal wire (+) and (-) to DIM (+) and DIM (-) of power supply terminals.
4. Please DO NOT connect "DIM-" to "LED-", "DIM+" to "LED+", or other incorrect connection.
5. Please make sure you connect these correctly otherwise your product will not function correctly and could be damaged.

**WARM TIPS**

1. Recommended Max. Carrying Current (A) = wire diameter (mm<sup>2</sup>) x 10A/mm<sup>2</sup>.  
For example: 1mm<sup>2</sup> output cable, Recommended Max. Carrying Current (A) = 1mm<sup>2</sup> x 10A/mm<sup>2</sup> = 10A.
2. Any other requests for, we can customized.

# SPECTER TRACK

## Driver 100

### KVG-DW Series 100W



#### FEATURES

**Output :** Constant Voltage

**Range :** 100-277V

**PFC design :** Built-in active PFC function

**Protections :** Short circuit/ over load/ over temperature

**Waterproof performance :** Full protection aluminum housing, for dry, damp and wet locations

**Dimming function :**

Phase dimming: work with Forward phase, MLV and Reverse phase, ELV, TRIAC dimmers

0-10V dimming : 0-10V / 1-10V / Potentiometer / 10V PWM 4 in 1

**Dimming range :** 0-100%

**Warranty :** 5 years warranty

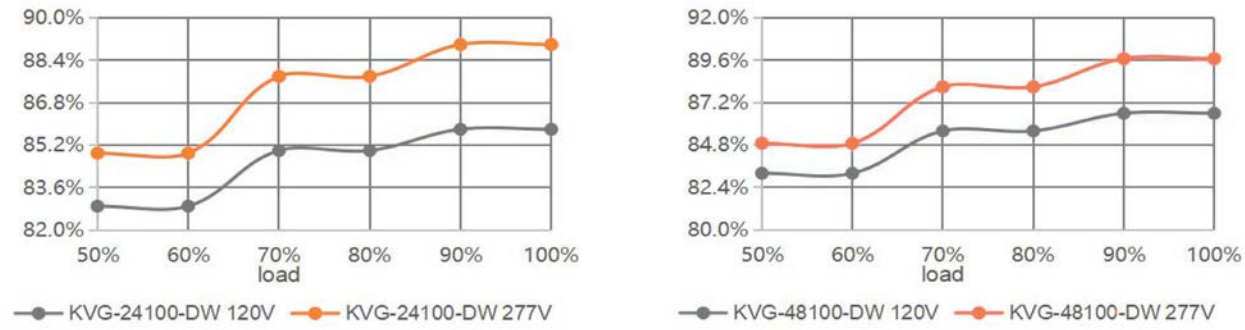
### DRIVER 100 SPECIFICATION

MODEL		KVG-24100-DW	KVG-48100-DW
<b>Output</b>	DC Voltage	24V	48V
	Voltage Tolerance	±0.5V	±0.5V
	Voltage Regulation	±0.5%	±0.5%
	Rated current	4.16A	2.08A
	Rated power	100W	100W
	Load Regulation	±1%	±1%
<b>Input</b>	Voltage Range	100-277VAC	100-277VAC
	Frequency Range	47 - 63Hz	47 - 63Hz
	Power Factor @ full load	0.98@120VAC & 0.95@277VAC	0.97@120VAC & 0.94@277VAC
	THD (Typ.) @ full load	<20%@120VAC & 277VAC	<20%@120VAC & 277VAC
	Efficiency (Typ.) @ full load	≥82%@120VAC & ≥84%@277VAC	≥86%@120VAC & ≥89%@277VAC
	AC Current (Max.)	1.5A	1.5A
	Inrush Current (Typ.)	31.6A, 530us@50%120VAC & 60.0A, 460us@50%277VAC	12A, 1.3ms@50%120VAC & 27A, 1.2ms@50%277VAC
	Leakage current	<0.5mA	<0.5mA
	<b>Protection</b>	Short Circuit	Hiccup mode, re-power on to recover after fault condition removed
Over Load		≤120% Hiccup mode, auto-recovery after fault condition removed	
Over temperature		Shell surface temp.100° C ±10° C shut down o/p voltage, automatically recover after cooling	
<b>Environment</b>	Working TEMP.	-40~+60° C (see below derating curve)	
	Working Humidity	20 - 95% RH non-condensing	
	Storage TEM., Humidity	-40 - +80° C, 10 - 95% RH non-condensing	
	TEMP. coefficient	±0.03%/° C (0 - 50° C)	
	Vibration	10~500Hz, 5G 12min./1 cycle, period for 72min. each along X,Y,Z axes	
<b>Safety &amp; EMC</b>	Safety standards	UL8750 CAN/CSA-C22.2 No.250.13 (US)	
	Withstand voltage	I/P-O/P:1.8KVAC I/P-FG:1.8KVAC O/P-FG:1.8KVAC (US)	
	Isolation resistance	I/P-O/P:100M / 500VDC / 25° C / 70% RH	
	EMC Emission	FCC 47 CFR Part 15, Subpart B (US)	
<b>Others</b>	Net Weight	1.05Kg	
	Dimension	226*69.8*42mm (L*W*H)	
	Packing	340*270*175mm 10pcs /CTN	

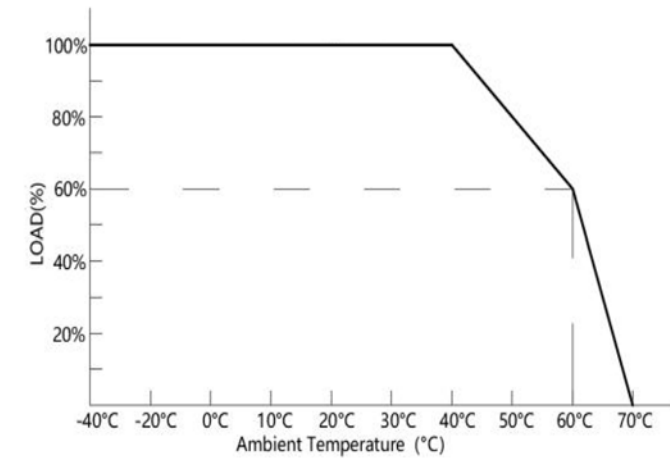
#### Notes

<sup>1</sup> All parameters not specially mentioned are measured at 120VAC input, rated load and 25° C of ambient temperature.  
<sup>2</sup> Tolerance: includes set up tolerance and load regulation.

EFFICIENCY CURVE (EFFICIENCY VS OUTPUT LOAD)

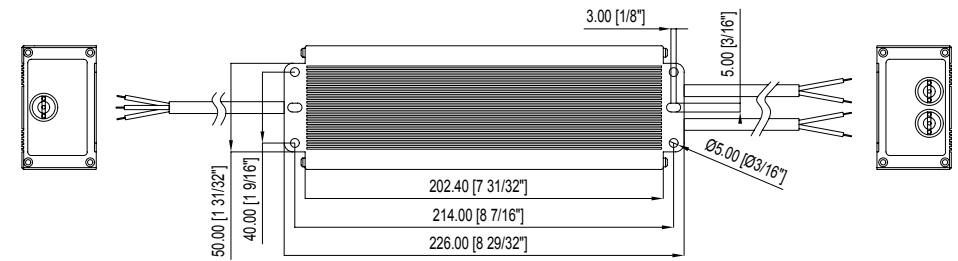
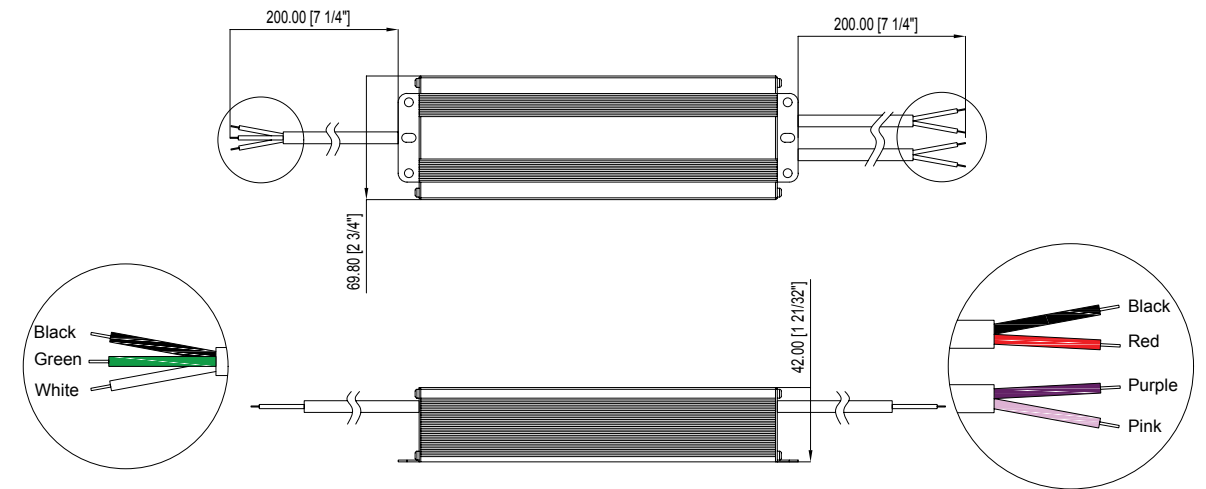
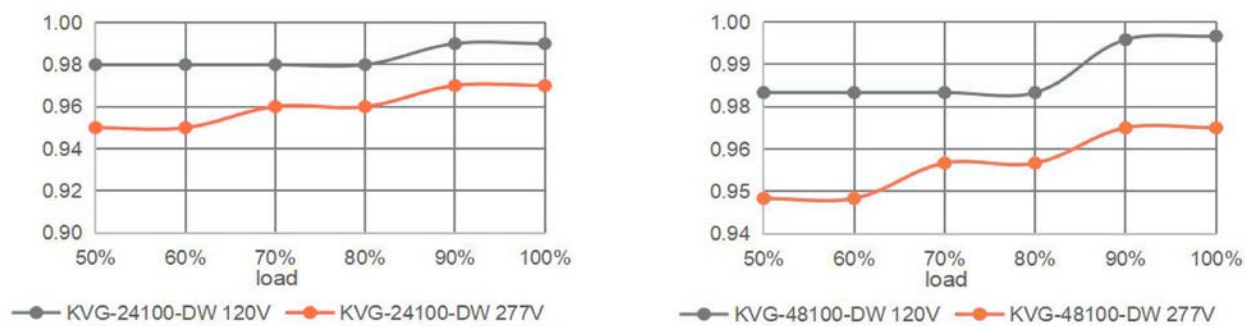


DERATING CURVE (OUTPUT LOAD VS TEMP.)



**NOTE:**  
 1. To extend their life, please refer to the Derating Curve and derate according to the temperature.  
 2. Please note that the rise in temperature of LED fixtures over a long period of time will cause their power to rise. Therefore, we recommend the power supply to reserve a certain amount of load to avoid overloading.

POWER FACTOR CURVE (OUTPUT LOAD VS TEMP.)



24V | 48V Version

1. Input cable 3\*0.824mm<sup>2</sup>: the Green cable to (FG), Black cable to L, and White cable to N of Mains AC.
2. Output cable 2\*1.31mm<sup>2</sup>: Red cable (+) to LED Positive side (+), Black cable (-) to LED Negative side (-).
3. Dimming cable 2\*0.824mm<sup>2</sup>: Purple cable DIM (+) to 0/1-10V dimmer signal(+), Pink cable DIM (-) to 0/1-10V dimmer signal (-).
4. Please DO NOT connect "DIM-" to "LED-", "DIM+" to "LED+", or other incorrect connection.
5. Please make sure your connect these correctly otherwise your product will not function correctly and could be damaged.

WARM TIPS

1. Any other requests for, we can customized.

# SPECTER TRACK

## Driver 120

### KVG-DW Series 120W



#### FEATURES

**Output :** Constant Voltage

**Range :** 100-277V

**PFC design :** Built-in active PFC function

**Protections :** Short circuit/ over load/ over temperature

**Waterproof performance :** Full protection aluminum housing, for dry, damp and wet locations

**Dimming function :**

Phase dimming: work with Forward phase, MLV and Reverse phase, ELV, TRIAC dimmers

0-10V dimming : 0-10V / 1-10V / Potentiometer / 10V PWM 4 in 1

**Dimming range :** 0-100%

**Warranty :** 5 years warranty

### DRIVER 120 SPECIFICATION

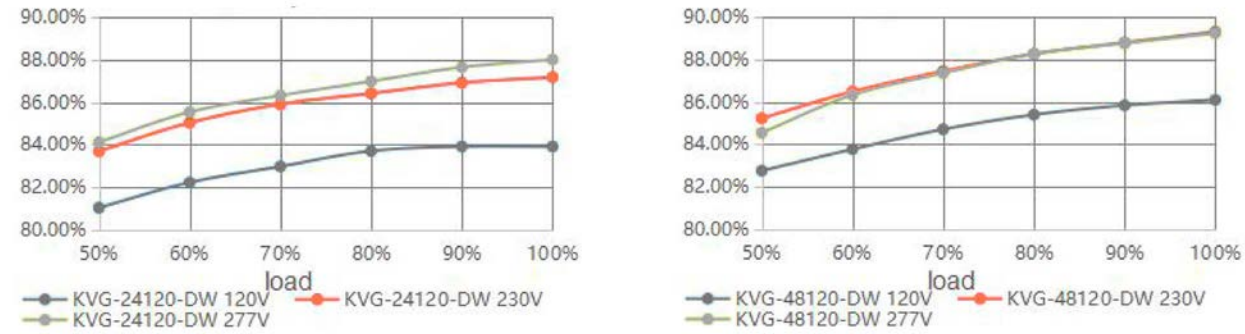
MODEL		KVG-24120-DW	KVG-48120-DW
<b>Output</b>	DC Voltage	24V	48V
	Voltage Tolerance	±0.5V	±0.5V
	Voltage Regulation	±0.5%	±0.5%
	Rated current	5A	2.5A
	Rated power	120W	120W
	Load Regulation	±1%	±1%
<b>Input</b>	Voltage Range	100-277VAC	100-277VAC
	Frequency Range	47 - 63Hz	47 - 63Hz
	Power Factor @ full load	0.98@120VAC & 0.95@277VAC	0.99@120VAC & 0.94@277VAC
	THD (Typ.) @ full load	<20%@120VAC & 277VAC	<20%@120VAC & 277VAC
	Efficiency (Typ.) @ full load	≥83%@120VAC & ≥86%@277VAC & ≥87%@120VAC	≥85%@120VAC & ≥88%@277VAC & ≥88%@120VAC
	AC Current (Max.)	1.5A	1.5A
	Inrush Current (Typ.)	72A, 148us@50%230VAC	60A, 460us@50%277VAC
	Leakage current	<0.5mA	<0.5mA
<b>Protection</b>	Short Circuit	Hiccup mode, recovers automatically after fault condition removed	
	Over Load	≤120% Hiccup mode, recovers automatically after fault condition is removed	
	Over temperature	Shell surface temp.100° C ±10° C shut down o/p voltage, automatically recover after cooling	
<b>Environment</b>	Working TEMP.	-40~+60° C (see below derating curve)	
	Working Humidity	20 - 95% RH non-condensing	
	Storage TEM., Humidity	-40 - +80° C, 10 - 95% RH non-condensing	
	TEMP. coefficient	±0.03%/° C (0 - 50° C)	
	Vibration	10~500Hz, 5G 12min./1 cycle, period for 72min. each along X,Y,Z axes	
<b>Safety &amp; EMC</b>	Safety standards	UL8750 CAN/CSA-C22.2 No.250.13 (US)	
	Withstand voltage	I/P-O/P:1.8KVAC I/P-FG:1.8KVAC O/P-FG:1.8KVAC (US)	
	Isolation resistance	I/P-O/P:100M / 500VDC / 25° C / 70% RH	
	EMC Emission	FCC 47 CFR Part 15, Subpart B (US)	
<b>Others</b>	Net Weight	1.14Kg	
	Dimension	226*69.8*42mm (L*W*H)	
	Packing	355*285*170mm 10pcs /CTN	

#### Notes

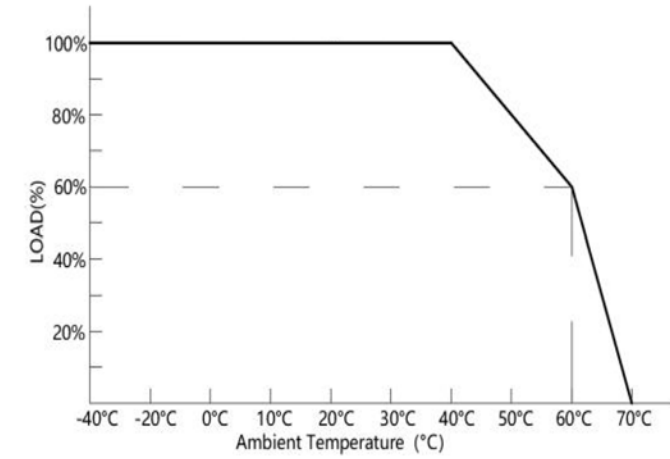
<sup>1</sup> All parameters not specially mentioned are measured at 120VAC input, rated load and 25° C of ambient temperature.  
<sup>2</sup> Tolerance: includes set up tolerance and load regulation.

## CURVES DETAILS

### EFFICIENCY CURVE (EFFICIENCY VS OUTPUT LOAD)



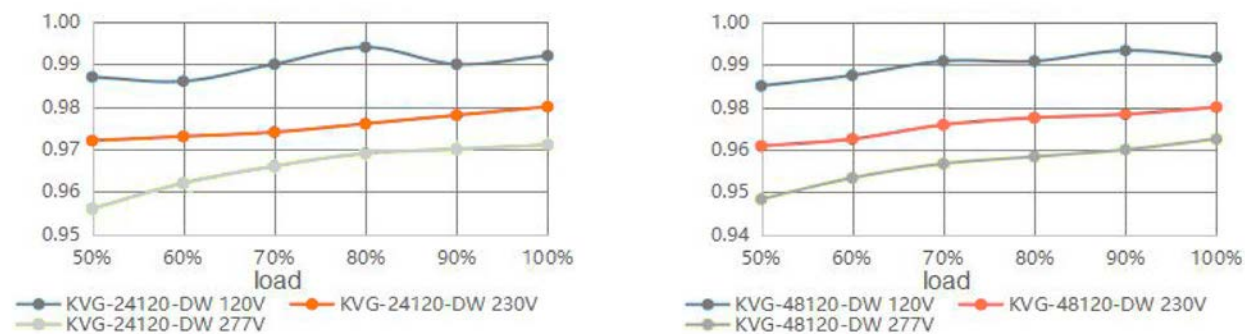
### DERATING CURVE (OUTPUT LOAD VS TEMP.)



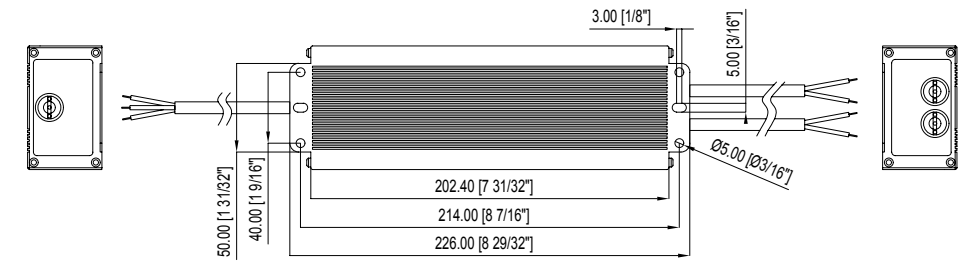
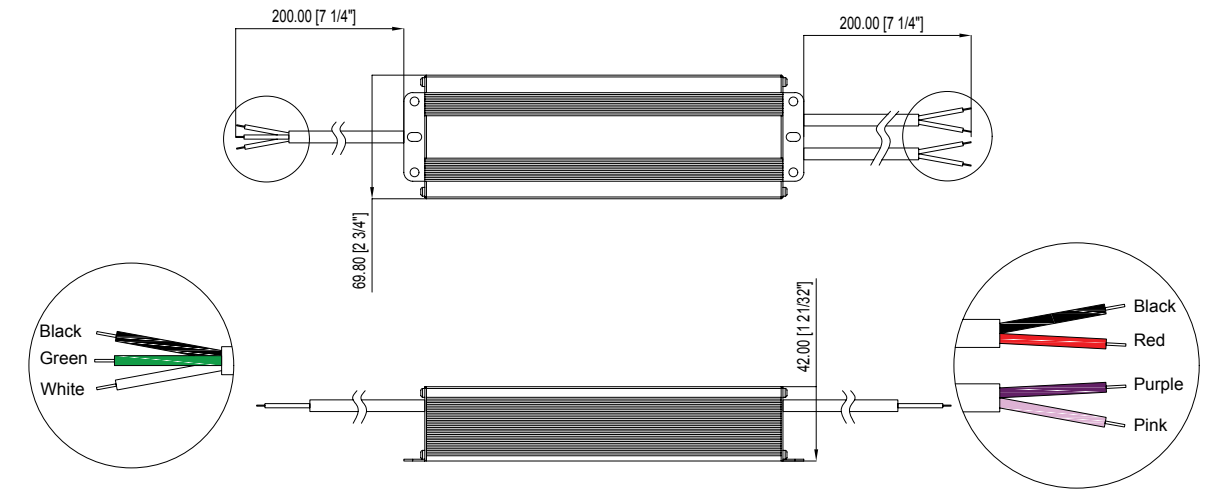
**NOTE:**

1. To extend their life, please refer to the Derating Curve and derate according to the temperature.
2. Please note that the rise in temperature of LED fixtures over a long period of time will cause their power to rise. Therefore, we recommend the power supply to reserve a certain amount of load to avoid overloading.

### POWER FACTOR CURVE (OUTPUT LOAD VS TEMP.)



## MECHANICAL SPECIFICATION



### 24V | 48V Version

1. Input cable 3\*0.824mm<sup>2</sup>: the Green cable to (FG), Black cable to L, and White cable to N of Mains AC.
2. Output cable 2\*1.31mm<sup>2</sup>: Red cable (+) to LED Positive side (+), Black cable (-) to LED Negative side (-).
3. Dimming cable 2\*0.824mm<sup>2</sup>: Purple cable DIM (+) to 0/1-10V dimmer signal(+), Pink cable DIM (-) to 0/1-10V dimmer signal (-).
4. Please DO NOT connect "DIM-" to "LED-", "DIM+" to "LED+", or other incorrect connection.
5. Please make sure you connect these correctly otherwise your product will not function correctly and could be damaged.

**WARM TIPS**

1. Any other requests for, we can customized.

# SPECTER TRACK

## Driver 150

### KVG-DW Series 150W



#### FEATURES

**Output :** Constant Voltage

**Range :** 110-277VAC

**PFC design :** Built-in active PFC function

**Protections :** Short circuit/ over load/ over temperature

**Waterproof performance :** Full protection aluminum housing, for dry, damp and wet locations

**Dimming function :**

Phase dimming: work with Forward phase, MLV and Reverse phase, ELV, TRIAC dimmers

0-10V dimming : 0-10V / 1-10V / Potentiometer / 10V PWM 4 in 1

**Dimming range :** 0-100%

**Warranty :** 5 years warranty

### DRIVER 150 SPECIFICATION

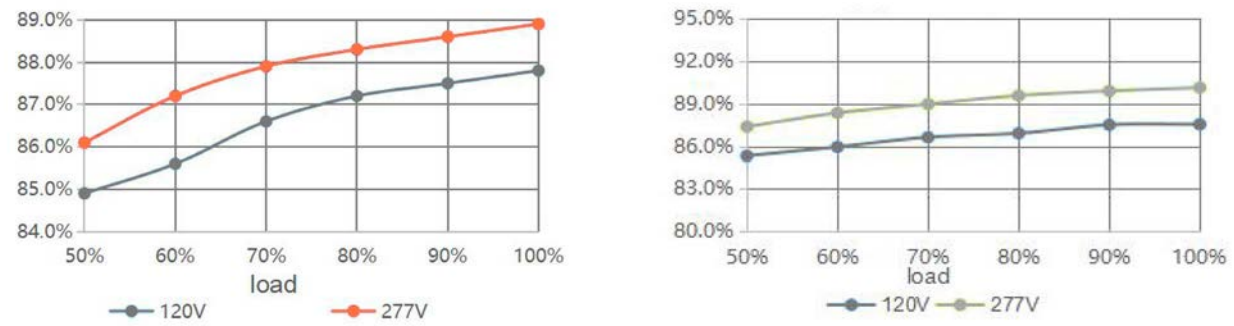
MODEL		KVG-24150-DW	KVG-48150-DW
<b>Output</b>	DC Voltage	24V	48V
	Voltage Tolerance	±0.5V	±0.5V
	Voltage Regulation	±0.5%	±0.5%
	Rated current	12.5A	12.5A
	Rated power	150W	150W
	Load Regulation	±1%	±1%
<b>Input</b>	Voltage Range	110-277VAC	110-277VAC
	Frequency Range	47 - 63Hz	47 - 63Hz
	Power Factor @ full load	≤0.90	≤0.98
	THD (Typ.) @ full load	<20%@120VAC & 277VAC	<20%@120VAC & 277VAC
	Efficiency (Typ.) @ full load	85%@120VAC & 87%@277VAC	86%@120VAC & 89%@277VAC
	AC Current (Max.)	1.8A	1.9A
	Inrush Current (Typ.)	15A, 1.4ms@50%120VAC & 30A, 1.4ms@50%277VAC	40A, 570us@50%120VAC & 65.6A, 560us@50%277VAC
	Leakage current	<0.5mA	<0.5mA
<b>Protection</b>	Short Circuit	Shell surface temp. 100° C ±10° C shut down o/p voltage, automatically recover after cooling	
	Over Load	≤120% Hiccup mode, recovers automatically after fault condition is removed	
	Over temperature	100° C ±10° C shut down o/p voltage, automatically recover after cooling	
<b>Environment</b>	Working TEMP.	-40~+60° C (see below derating curve)	
	Working Humidity	20 - 95% RH non-condensing	
	Storage TEM., Humidity	-40 - +80° C, 10 - 95% RH non-condensing	
	TEMP. coefficient	±0.03%/° C (0 - 50° C)	
	Vibration	10~500Hz, 5G 12min./1 cycle, period for 72min. each along X,Y,Z axes	
<b>Safety &amp; EMC</b>	Safety standards	UL8750 CAN/CSA-C22.2 No.250.13 (US)	
	Withstand voltage	I/P-O/P:1.8KVAC I/P-FG:1.8KVAC O/P-FG:1.8KVAC (US)	
	Isolation resistance	I/P-O/P:100M / 500VDC / 25° C / 70% RH	
	EMC Emission	FCC 47 CFR Part 15, Subpart B (US)	
<b>Others</b>	Net Weight	1.51Kg	
	Dimension	256*77.4*45.4mm (L*W*H)	
	Packing	340*280*185mm 10pcs /CTN	

#### Notes

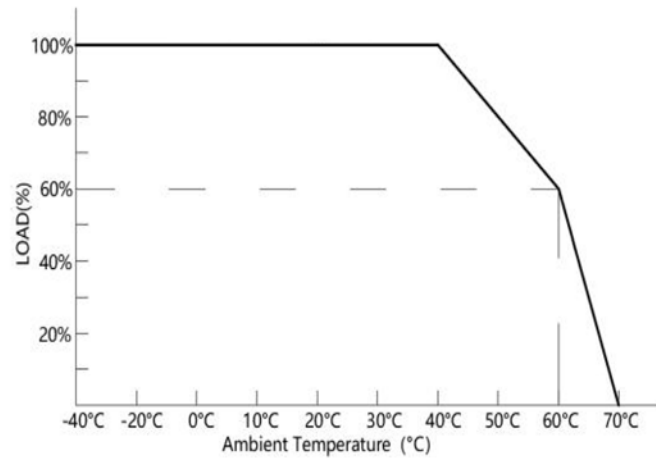
<sup>1</sup> All parameters not specially mentioned are measured at 120VAC input, rated load and 25° C of ambient temperature.  
<sup>2</sup> Tolerance: includes set up tolerance and load regulation.

## CURVES DETAILS

### EFFICIENCY CURVE (EFFICIENCY VS OUTPUT LOAD)



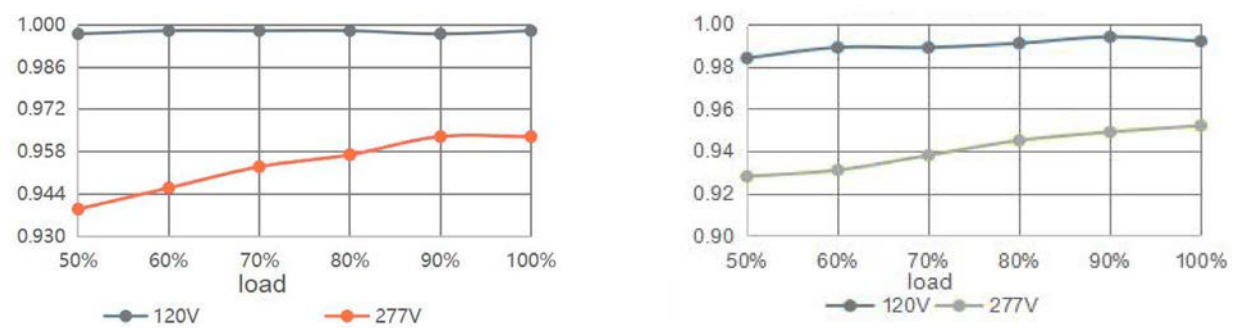
### DERATING CURVE (OUTPUT LOAD VS TEMP.)



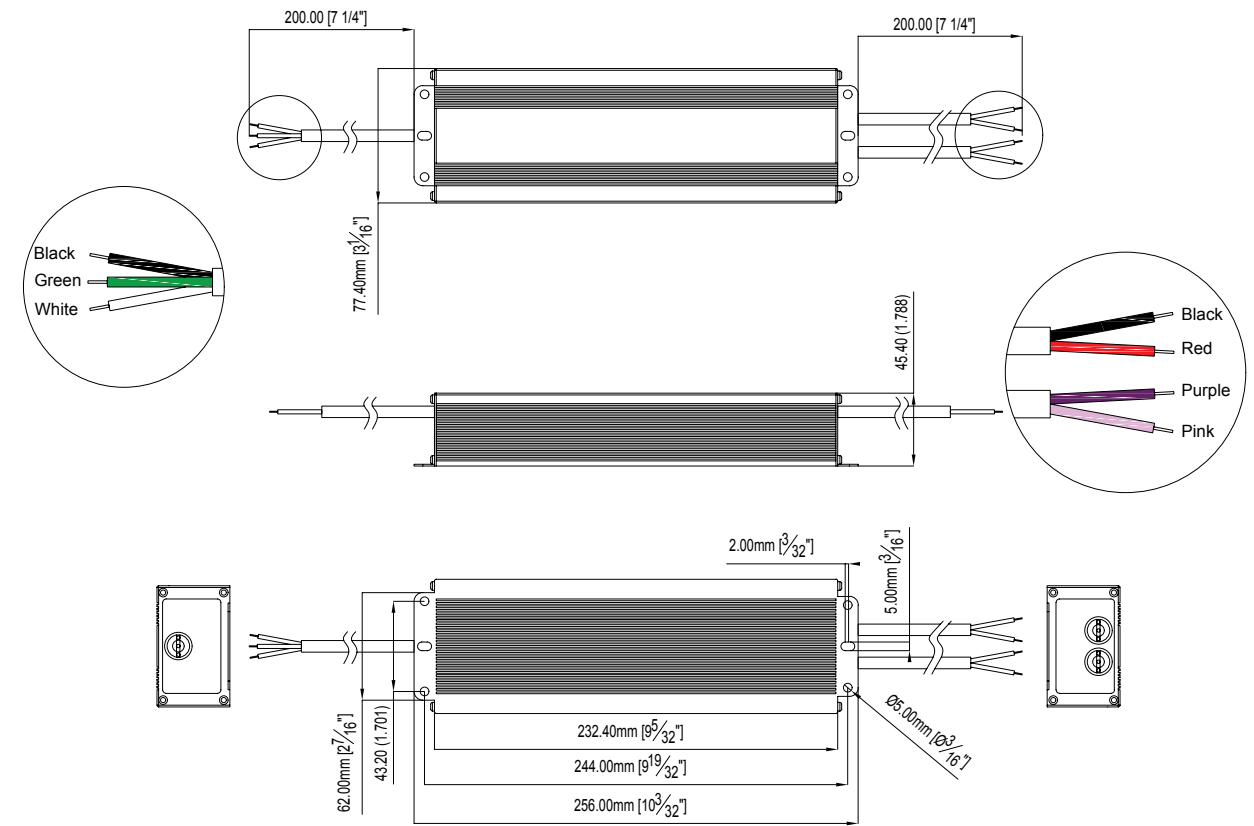
**NOTE:**

1. To extend their life, please refer to the Derating Curve and derate according to the temperature.
2. Please note that the rise in temperature of LED fixtures over a long period of time will cause their power to rise. Therefore, we recommend the power supply to reserve a certain amount of load to avoid overloading.

### POWER FACTOR CURVE (OUTPUT LOAD VS TEMP.)



## MECHANICAL SPECIFICATION



### 24V | 48V Version

1. Input cable 3\*0.824mm<sup>2</sup>: the Green cable to (FG), Black cable to L, and White cable to N of Mains AC.
2. Output cable 2\*1.31mm<sup>2</sup>: Red cable (+) to LED Positive side (+), Black cable (-) to LED Negative side (-).
3. Dimming cable 2\*0.824mm<sup>2</sup>: Purple cable DIM (+) to 0/1-10V dimmer signal(+), Pink cable DIM (-) to 0/1-10V dimmer signal (-).
4. Please DO NOT connect "DIM-" to "LED-", "DIM+" to "LED+", or other incorrect connection.
5. Please make sure you connect these correctly otherwise your product will not function correctly and could be damaged.

**WARM TIPS**

1. Any other requests for, we can customized.

# SPECTER TRACK

## Driver 200

### KVG-DW Series 200W



#### FEATURES

**Output :** Constant Voltage

**Range :** 110-277VAC

**PFC design :** Built-in active PFC function

**Protections :** Short circuit/ over load/ over temperature

**Waterproof performance :** Full protection aluminum housing, for dry, damp and wet locations

**Dimming function :**

Phase dimming: work with Forward phase, MLV and Reverse phase, ELV, TRIAC dimmers

0-10V dimming : 0-10V / 1-10V / Potentiometer / 10V PWM 4 in 1

**Dimming range :** 0-100%

**Warranty :** 5 years warranty

### DRIVER 200 SPECIFICATION

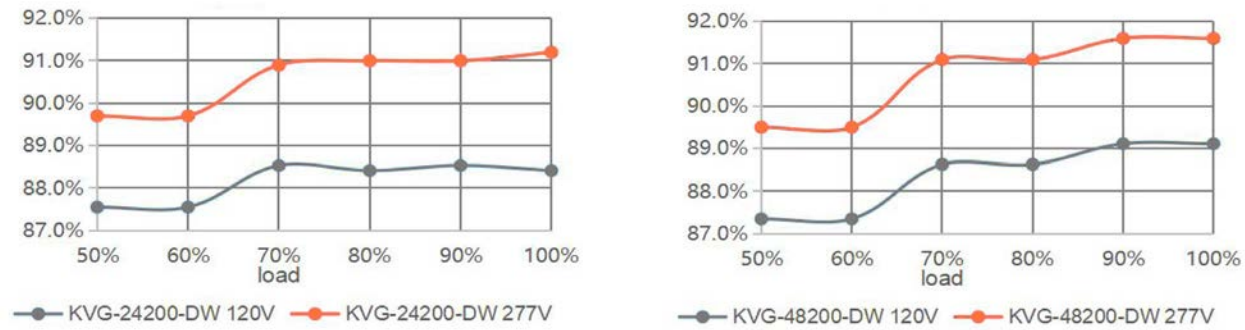
MODEL		KVG-24200-DW	KVG-48200-DW
<b>Output</b>	DC Voltage	24V	48V
	Voltage Tolerance	±0.5V	±0.5V
	Voltage Regulation	±0.5%	±0.5%
	Rated current	16.6A	16.6A
	Rated power	200W	200W
	Load Regulation	±2%	±2%
<b>Input</b>	Voltage Range	110-277VAC	110-277VAC
	Frequency Range	47 - 63Hz	47 - 63Hz
	Power Factor @ full load	0.98@120VAC & 0.95@277VAC	0.98@120VAC & 0.95@277VAC
	THD (Typ.) @ full load	<20%@120VAC & 277VAC	<20%@120VAC & 277VAC
	Efficiency (Typ.) @ full load	≥87%@120VAC & ≥89%@277VAC	≥88%@120VAC & ≥90%@277VAC
	AC Current (Max.)	2.3A	2.3A
	Inrush Current (Typ.)	40A, 570us@50%120VAC & 112A, 54us@50%230VAC 65.6A, 560us@50%277VAC	40A, 570us@50%120VAC & 112A, 54us@50%230VAC 65.6A, 560us@50%277VAC
	Leakage current	<0.5mA	<0.5mA
<b>Protection</b>	Short Circuit	Hiccup mode, re-power on to recover after fault condition removed	
	Over Load	≤120% Hiccup mode, auto-recovery after fault condition removed	
	Over temperature	Shell surface temp.100° C±10° C shut down o/p voltage, automatically recover after cooling	
<b>Environment</b>	Working TEMP.	-40~+60° C (see below derating curve)	
	Working Humidity	20 - 95% RH non-condensing	
	Storage TEM., Humidity	-40 - +80° C, 10 - 95% RH non-condensing	
	TEMP. coefficient	±0.03%/° C (0 - 50° C)	
	Vibration	10~500Hz, 5G 12min./1 cycle, period for 72min. each along X,Y,Z axes	
<b>Safety &amp; EMC</b>	Safety standards	UL8750 CAN/CSA-C22.2 No.250.13 (US)	
	Withstand voltage	I/P-O/P:1.8KVAC I/P-FG:1.8KVAC O/P-FG:1.8KVAC (US)	
	Isolation resistance	I/P-O/P:100M / 500VDC / 25° C / 70% RH	
	EMC Emission	FCC 47 CFR Part 15, Subpart B (US)	
<b>Others</b>	Net Weight	1.5Kg	
	Dimension	256*78*47mm (L*W*H)	
	Packing	340*310*185mm 10pcs /CTN	

#### Notes

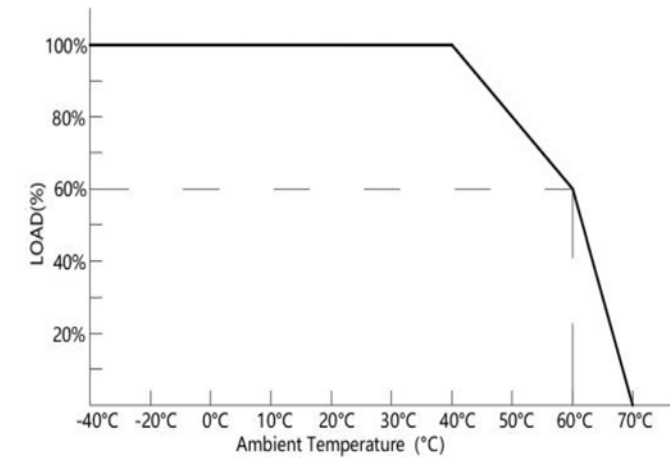
<sup>1</sup> All parameters not specially mentioned are measured at 120VAC input, rated load and 25° C of ambient temperature.  
<sup>2</sup> Tolerance: includes set up tolerance and load regulation.

## CURVES DETAILS

### EFFICIENCY CURVE (EFFICIENCY VS OUTPUT LOAD)



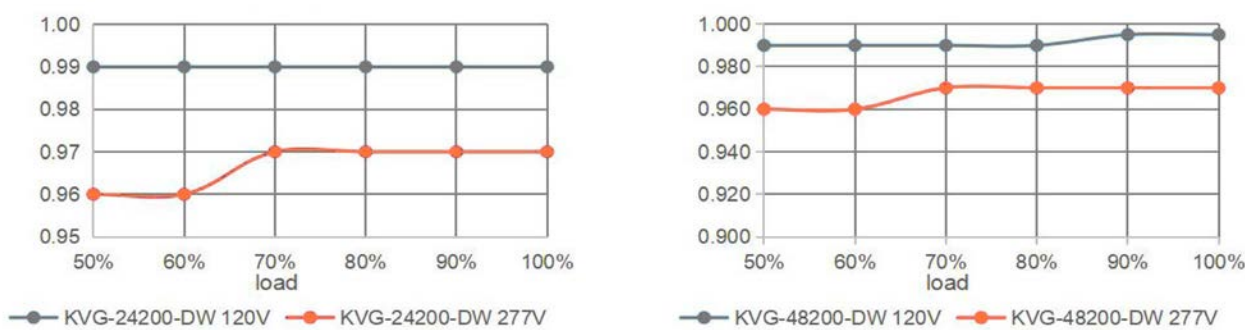
### DERATING CURVE (OUTPUT LOAD VS TEMP.)



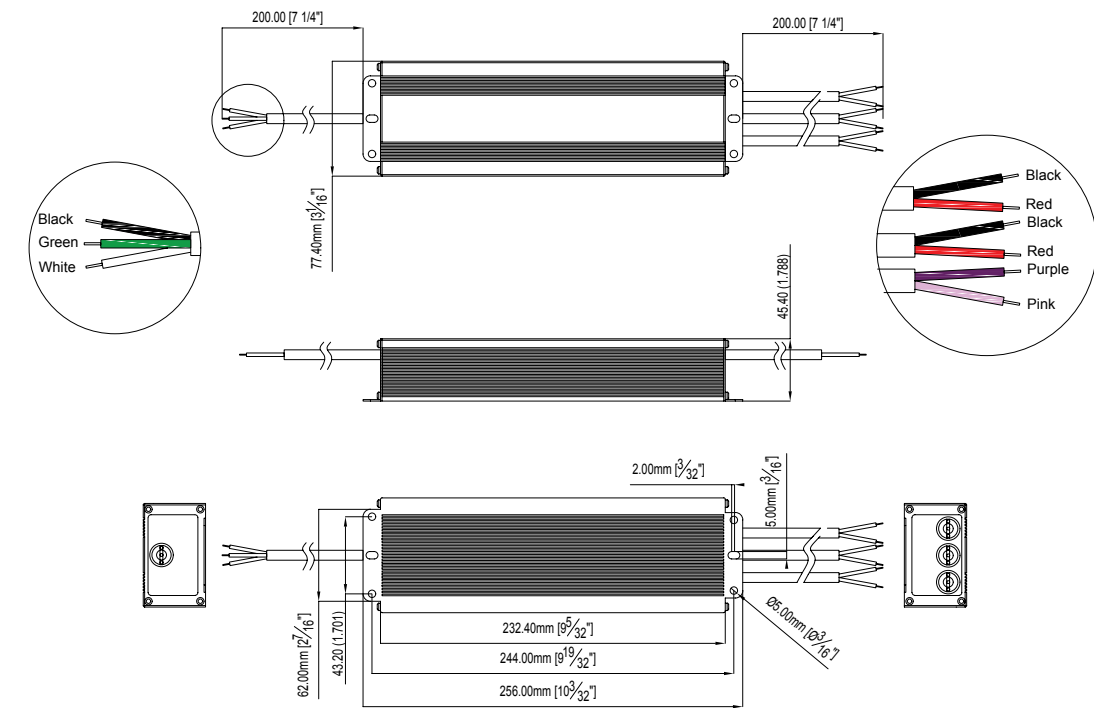
#### NOTE:

- To extend their life, please refer to the Derating Curve and derate according to the temperature.
- Please note that the rise in temperature of LED fixtures over a long period of time will cause their power to rise. Therefore, we recommend the power supply to reserve a certain amount of load to avoid overloading.

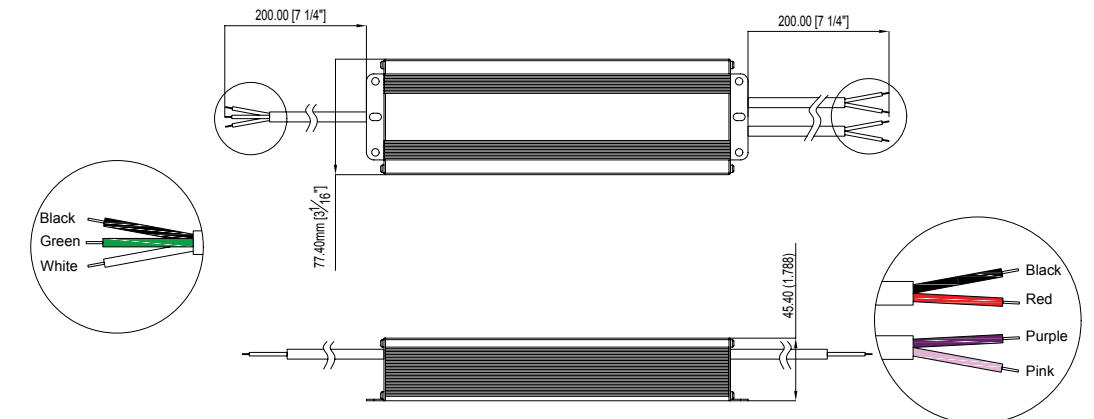
### POWER FACTOR CURVE (OUTPUT LOAD VS TEMP.)



## MECHANICAL SPECIFICATION



### 12 V Version



### 24V | 48 V Version

- Input cable 3\*0.824mm<sup>2</sup>: the Green cable to (FG), Black cable to L, and White cable to N of Mains AC.
- Output cable 2\*1.31mm<sup>2</sup>: Red cable (+) to LED Positive side (+), Black cable (-) to LED Negative side (-).  
noted that 12V 200W with 2 groups of 2C\*1.31mm<sup>2</sup> output wires to separate the output current.
- Dimming cable 2\*0.824mm<sup>2</sup>: Purple cable DIM (+) to 0/1-10V dimmer signal(+), Pink cable DIM (-) to 0/1-10V dimmer signal (-).
- Please DO NOT connect "DIM-" to "LED-", "DIM+" to "LED+", or other incorrect connection.
- Please make sure your connect these correctly otherwise your product will not function correctly and could be damaged.

#### WARM TIPS

- Any other requests for, we can customized.

# SPECTER TRACK

## Driver 300

### KVG-DW Series 300W



#### FEATURES

**Output :** Constant Voltage

**Range :** 110-277VAC

**PFC design :** Built-in active PFC function

**Protections :** Short circuit/ over load/ over temperature

**Waterproof performance :** Full protection aluminum housing, for dry, damp and wet locations

**Dimming function :**

Phase dimming: work with Forward phase, MLV and Reverse phase, ELV, TRIAC dimmers

0-10V dimming : 0-10V / 1-10V / Potentiometer / 10V PWM 4 in 1

**Dimming range :** 0-100%

**Warranty :** 5 years warranty

### DRIVER 300 SPECIFICATION

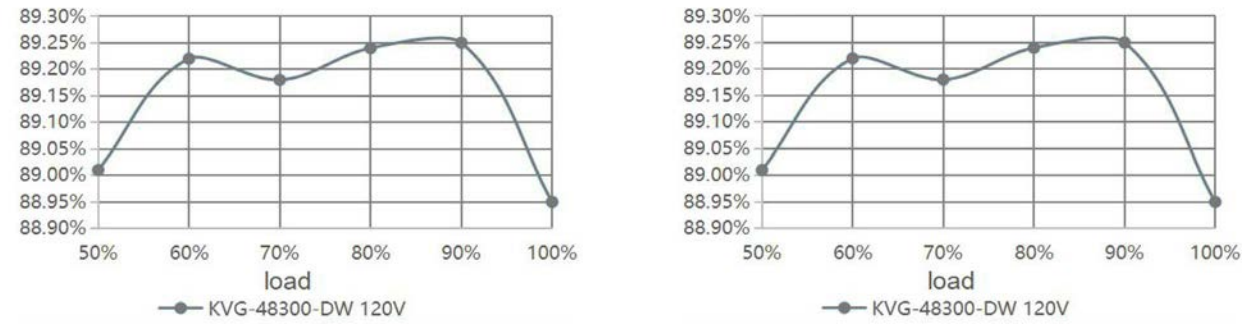
MODEL		KVG-24300-DW	KVG-48300-DW
<b>Output</b>	DC Voltage	24V	48V
	Voltage Tolerance	±0.5V	±0.5V
	Voltage Regulation	±0.5%	±0.5%
	Rated current	12.5A	6.25A
	Rated power	300W	200W
	Load Regulation	±1%	±1%
<b>Input</b>	Voltage Range	110-277VAC	110-277VAC
	Frequency Range	47 - 63Hz	47 - 63Hz
	Power Factor @ full load	0.99@120VAC & 0.95@277VAC	0.98@120V & 0.96@277V
	THD (Typ.) @ full load	<20%@120VAC & <20%@277VAC	<13%@120V & <15%@277V
	Efficiency (Typ.) @ full load	≥88%@120VAC & ≥92%@277VAC	≥88.95%@120VAC & ≥91.75%@277VAC
	AC Current (Max.)	2.84A	3.0A
	Inrush Current (Typ.)	20A, 1.9us@120VAC & 112A, 35A, 1.9us@277VAC	34.4A, 0.48us@120VAC & 30.8A, 5.6us@277VAC
	Leakage current	<0.5mA	<0.5mA
<b>Protection</b>	Short Circuit	Hiccup mode, re-power on to recover after fault condition removed	
	Over Load	≤120% Hiccup mode, recovers automatically after fault condition is removed	
	Over temperature	100° C±10° C shut down o/p voltage, automatically recover after cooling	
<b>Environment</b>	Working TEMP.	-40~+60° C (see below derating curve)	
	Working Humidity	20 - 95% RH non-condensing	
	Storage TEM., Humidity	-40 - +80° C, 10 - 95% RH non-condensing	
	TEMP. coefficient	±0.03%/° C (0 - 50° C)	
	Vibration	10~500Hz, 5G 12min./1 cycle, period for 72min. each along X,Y,Z axes	
<b>Safety &amp; EMC</b>	Safety standards	UL8750 CAN/CSA-C22.2 No.250.13 (US)	
	Withstand voltage	I/P-O/P:1.8KVAC I/P-FG:1.8KVAC O/P-FG:1.8KVAC (US)	
	Isolation resistance	I/P-O/P:100M / 500VDC / 25° C / 70% RH	
	EMC Emission	FCC 47 CFR Part 15, Subpart B (US)	
<b>Others</b>	Net Weight	1.73Kg	
	Dimension	276*77.4*45mm (L*W*H)	
	Packing	390*325*185mm 10pcs /CTN 18.53/CTN	

#### Notes

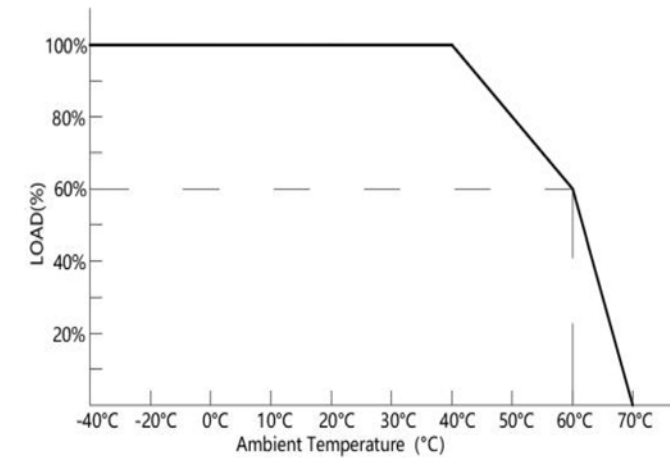
<sup>1</sup> All parameters not specially mentioned are measured at 120VAC input, rated load and 25° C of ambient temperature.  
<sup>2</sup> Tolerance: includes set up tolerance and load regulation.

## CURVES DETAILS

### EFFICIENCY CURVE (EFFICIENCY VS OUTPUT LOAD)



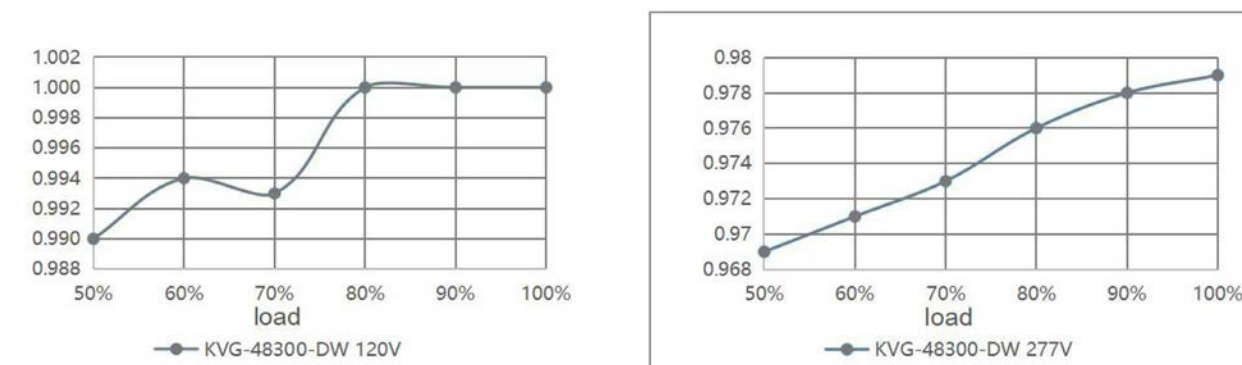
### DERATING CURVE (OUTPUT LOAD VS TEMP.)



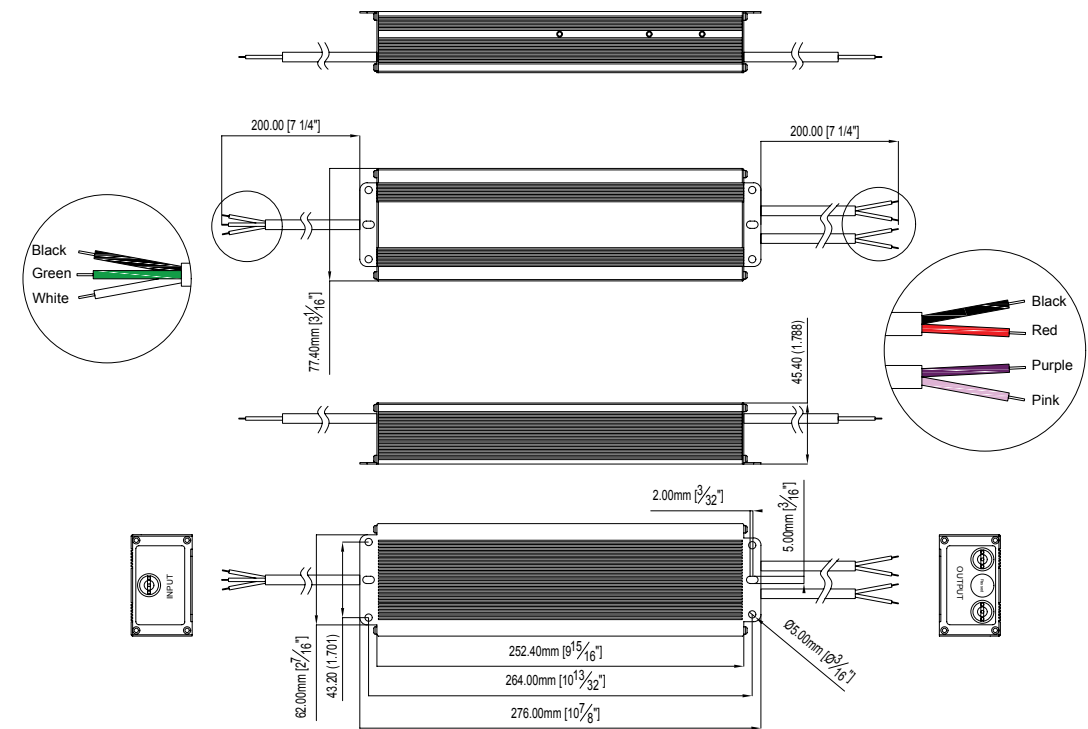
#### NOTE:

- To extend their life, please refer to the Derating Curve and derate according to the temperature.
- Please note that the rise in temperature of LED fixtures over a long period of time will cause their power to rise. Therefore, we recommend the power supply to reserve a certain amount of load to avoid overloading.

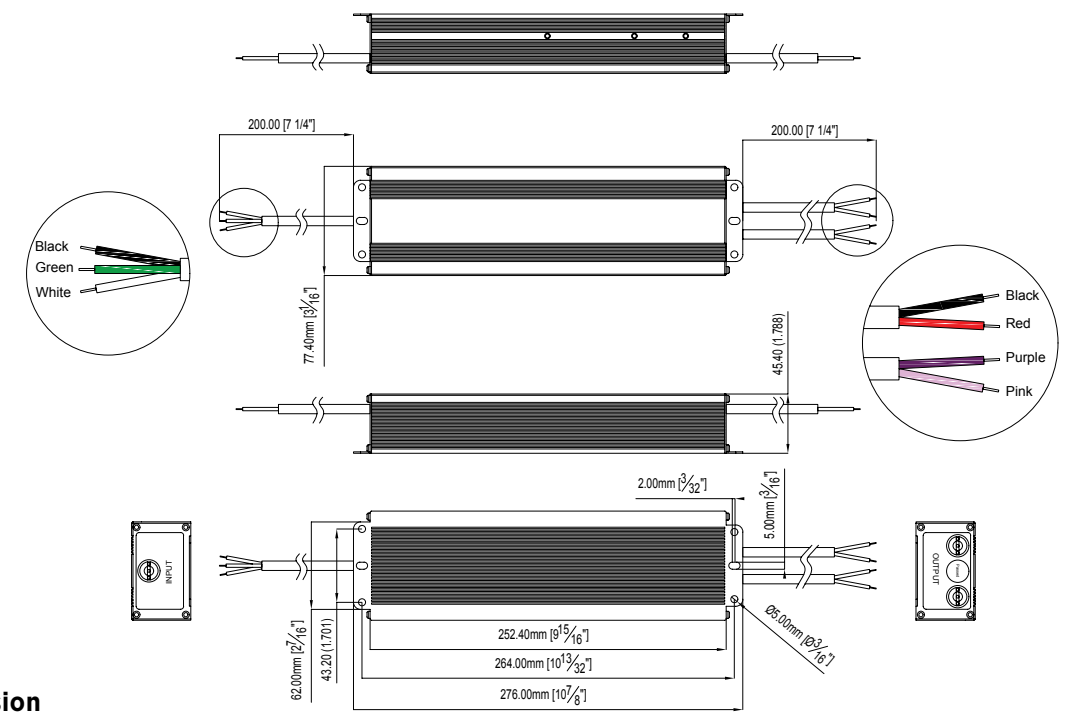
### POWER FACTOR CURVE (OUTPUT LOAD VS TEMP.)



## MECHANICAL SPECIFICATION



### 12 V Version



### 24V | 48 V Version

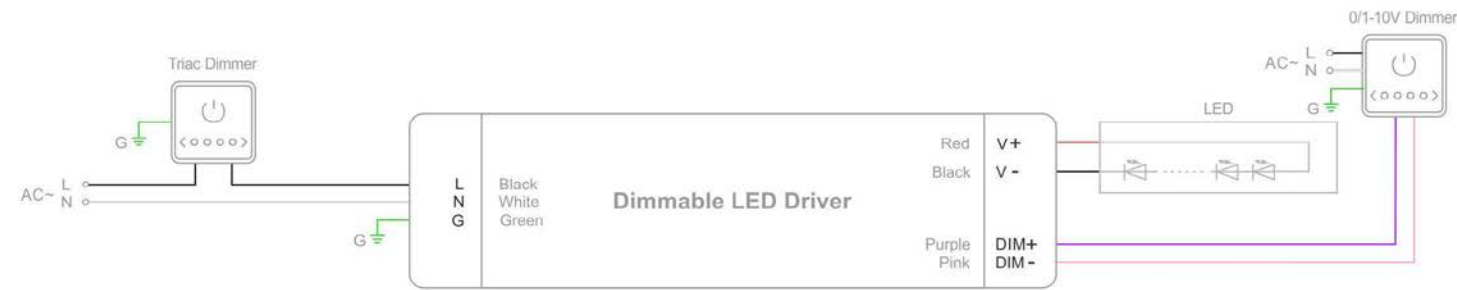
- Input cable 3\*18AWG, the Green cable to (FG), Black cable to L, and White cable to N of Mains AC.
- Output cable 2\*14AWG, Red cable (+) to LED Positive side (+), Black cable (-) to LED Negative side (-). (Noted that 12V 300W with 2 groups of 2\*16AWG output wires to separate the output current).
- Dimming cable 2\*18AWG, Purple cable DIM (+) to 0/1-10V dimmer signal (+), Pink cable DIM (-) to 0/1-10V dimmer signal (-).
- Please DO NOT connect "DIM-" to "LED-", "DIM+" to "LED+", or other incorrect connection.
- Please make sure you connect these correctly otherwise your product will not function correctly and could be damaged.

#### WARM TIPS

- Any other requests for, we can customized.

**USING TWO WAYS OF DIMMING AT THE SAME TIME**

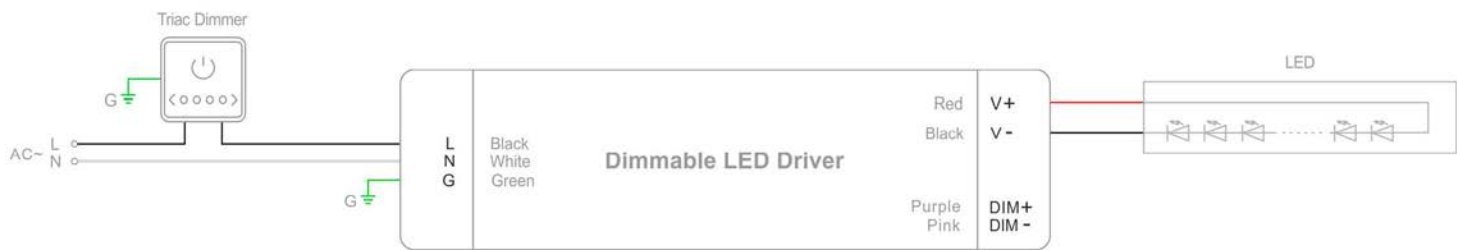
You must be assured that LED lighting is up to the max. Brightness then you could operate with the other dimming;



**TriaC & 0/1-10V**

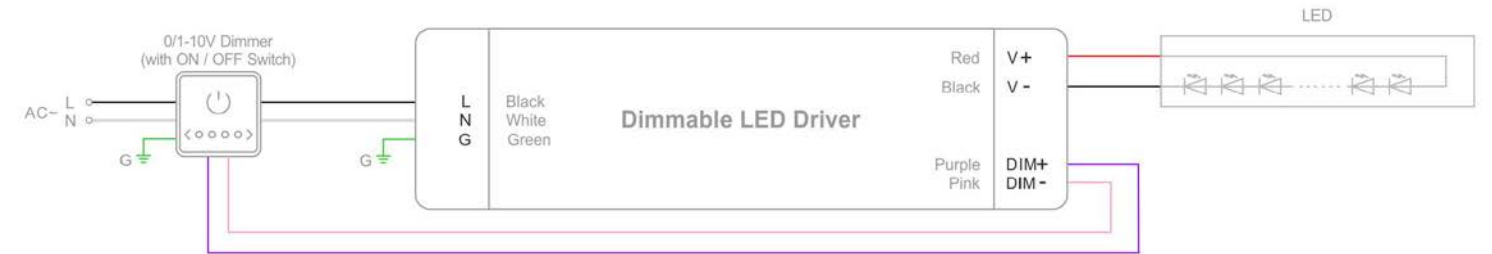
**USING ONE DIMMING --- TRIAC/PHASE CUT DIMMING**

1. The Pulse-Width Modulation (PWM) of output voltage can be adjusted through input terminal of the AC phase line(L) by connection a phase / TriaC dimmer or lighting system.
2. Working with forward phase, MLV and Reverse phase, ELV, TRIAC dimmers or light system.
3. Min. loading is about 10%.
4. Please try to use dimmers with power at least 2 times as the output power of the driver.

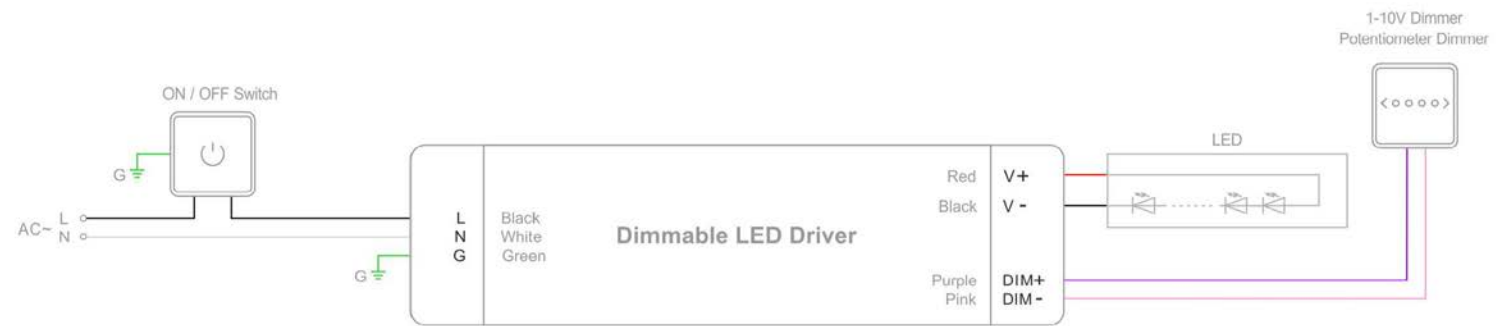


**TriaC**

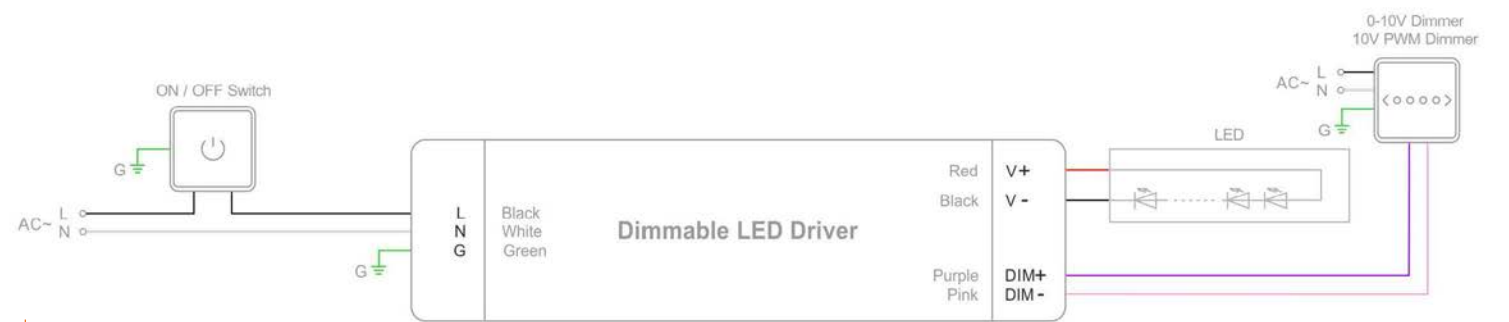
**USING ONE DIMMING --- 0-10/ 1-10V/ 10V PWM/ POTENTIOMETER DIMMING**



**0/1-10V**



**1-10V / Potentiometer**



**0-10V / 10V PWM**

**INSTRUCTION**

1. This driver should be installed by qualified and professional person.
2. Please make sure the driver is installed with adequate ventilation around it to allow for heat dissipation.
3. Ensure that wiring is correct before test in order to avoid light and power supply damage.
4. If driver Cannot work normally, don't maintain privately.

Have any questions, please contact BOLD LIGHTING.  
Please visit our website or contact us for more information [www.boldlighting.us](http://www.boldlighting.us)



## SPECTER MODULES

Linear Standard

# SPECTER STANDARD MODULES

## Break Opal



BREAK LINE

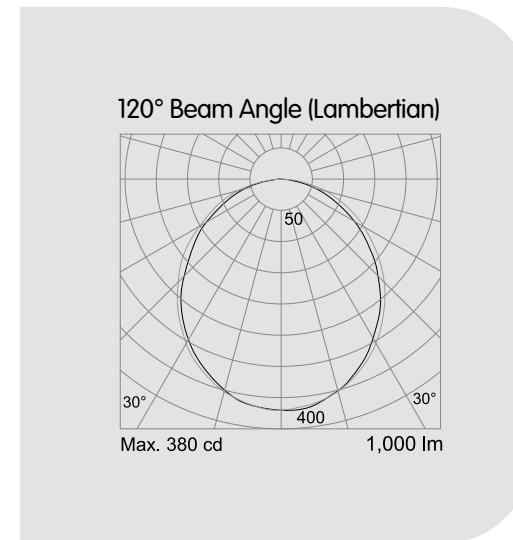
- Up to 1535lm delivered output
- Available in 3 sizes, 84mm, 165mm and 317mm
- Adjustable tilt to 90°
- Available in Opal lens
- Lambertian beam angle
- Fixtures designed to mount in SPECTER track
- For fixture dimming refer to track driver specifications<sup>1</sup>
- Available in 4 standard finishes: Black, white, silver and bronze

Notes: <sup>1</sup>Dimming options, 0-10V, ELV and DALI

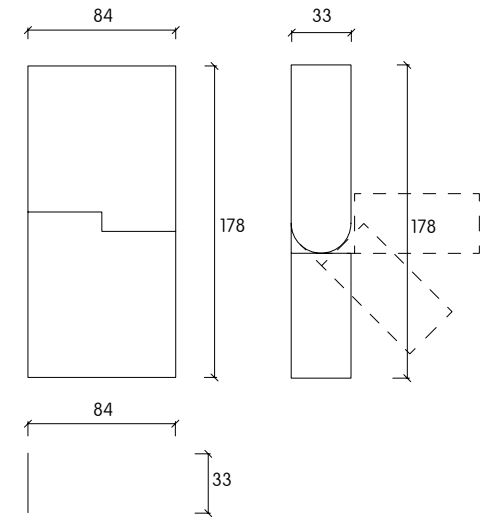
### OPTICAL FLEXIBILITY

Per Millimeter

#### Photometric data: Type C Polar Curves



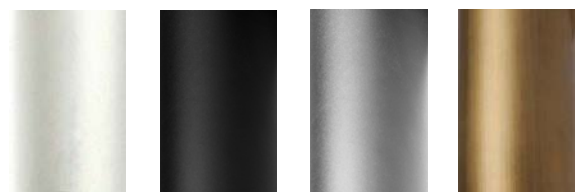
#### BREAK LINE 3



Code example: **SPSF-J03W-L927-2**

Series	Length	Body Finish	Beam Angle	CRI	Color Temp	Circuit			
<b>SPSF-J</b>	03	84mm	L 120°	9 +90	27	2700K	1	1-Circuit	
	06	165mm			30	3000K	2	2-Circuit	
	12	317mm			S	35	3500K		
					Z	40	4000K		
		X							

#### STANDARD FINISHES

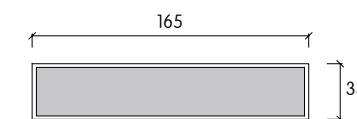
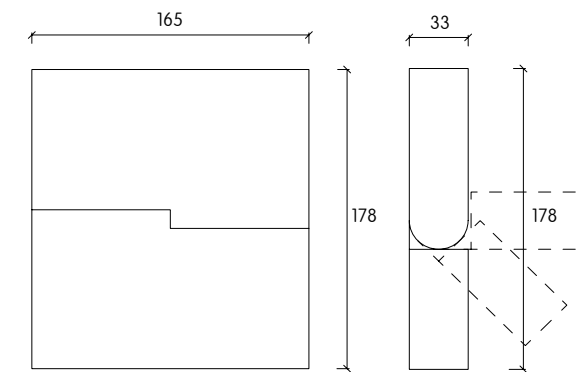


**W B S Z**

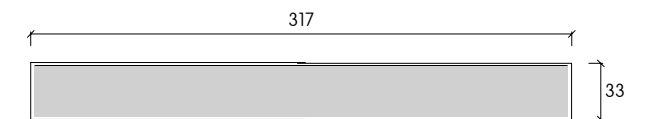
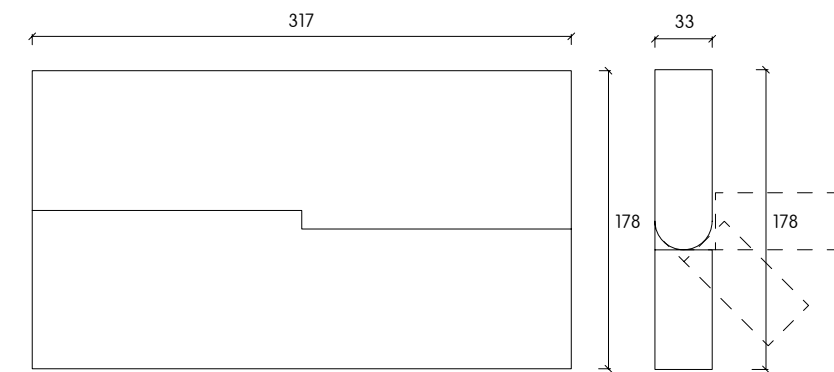
#### DELIVERED LUMEN OUTPUT

Length	Watts	CRI +90			
		2700K	3000K	3500K	4000K
84mm	4W	200lm	222lm	244lm	269lm
165mm	8W	439lm	487lm	536lm	590lm
317mm	16W	1142lm	1269lm	1396lm	1535lm

#### BREAK LINE 6



#### BREAK LINE 12



# SPECTER STANDARD MODULES

## Break Dot



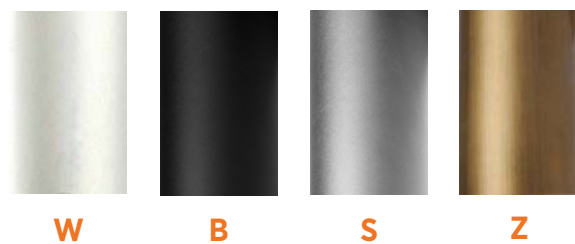
BREAK DOT

- Up to 1532lm delivered output
  - Available in 3 sizes, 84mm, 165mm and 317mm
  - Adjustable tilt to 90°
  - Available in low glare baffles
  - 3 beam options, narrow, medium and wide
  - Fixtures designed to mount in SPECTER track
  - For fixture dimming refer to track driver specifications<sup>1</sup>
  - Available in 4 standard finishes: Black, white, silver and bronze
  - Standard black baffles, custom colors are available upon request. Consult factory for added cost and lead-times
- Notes: <sup>1</sup> Dimming options, 0-10V, ELV and DALI

Code example: **SPSF-B03W-B-N927-2**

Series	Length	Body Finish	Baffle Finish	Beam Angle	CRI	Color Temp	Circuit
<b>SPSF-B</b>	03 84mm	W White	B Black	N 10°	9 +90	27 2700K	1 1-Circuit
	06 165mm	B Black	X Custom	M 25°		30 3000K	2 2-Circuit
	12 317mm	S Silver		F 35°		35 3500K	
		Z Bronze				40 4000K	
		X Custom					

### STANDARD FINISHES



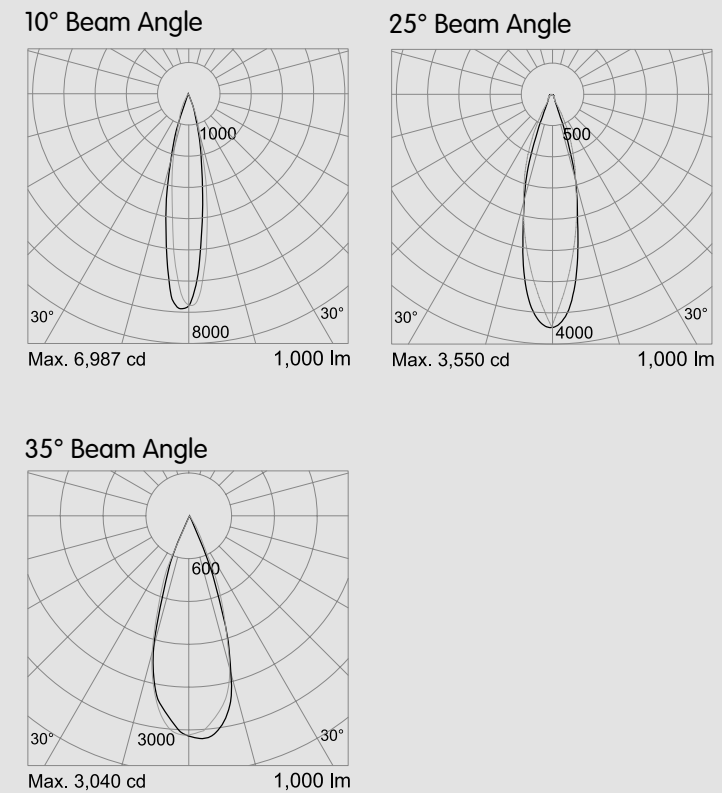
### DELIVERED LUMEN OUTPUT

Length	Watts	CRI +90			
		2700K	3000K	3500K	4000K
84mm	4W	326lm	363lm	399lm	439lm
165mm	8W	539lm	599lm	659lm	725lm
317mm	16W	1139lm	1266lm	1393lm	1532lm

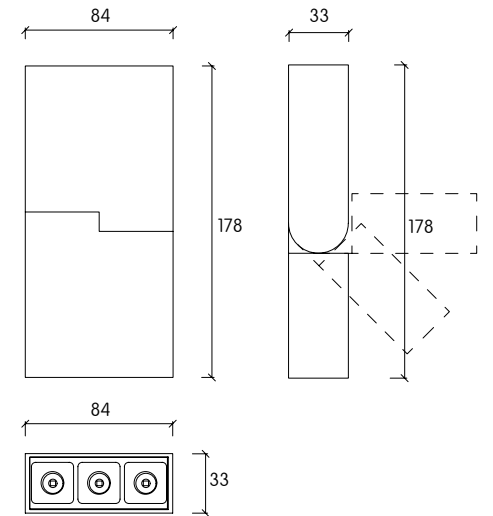
## OPTICAL FLEXIBILITY

Per Millimeter

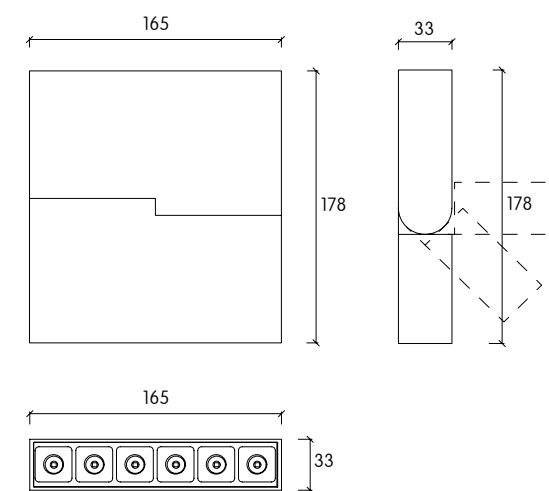
### Photometric data: Type C Polar Curves



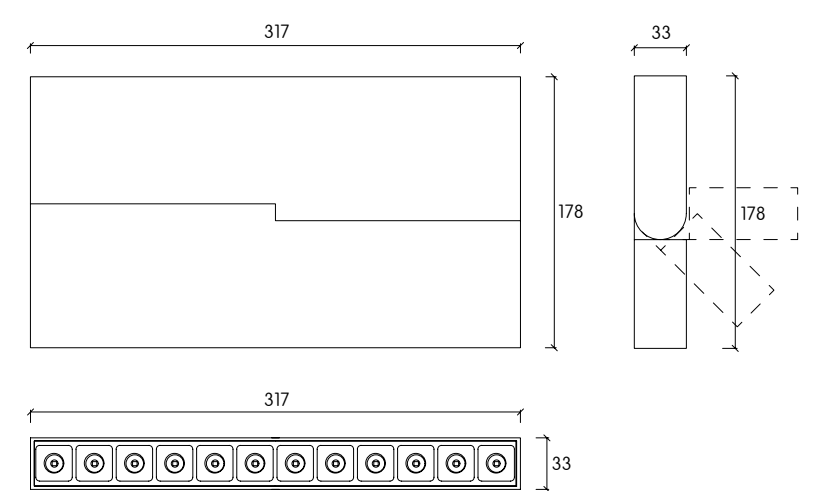
### BREAK 3



### BREAK 6



### BREAK 12



# SPECTER STANDARD MODULES

## Drop Washer



DROP WASHER

- Up to 1274lm delivered output
- Available in 279mm sections
- Available in wallwash optic
- Fixtures designed to mount in SPECTER track<sup>1</sup>
- Available in 4 standard finishes: Black, white, silver and bronze
- Standard black baffles, custom colors are available upon request. Consult factory for added cost and lead-times
- Set back of 1/5 of the wall height

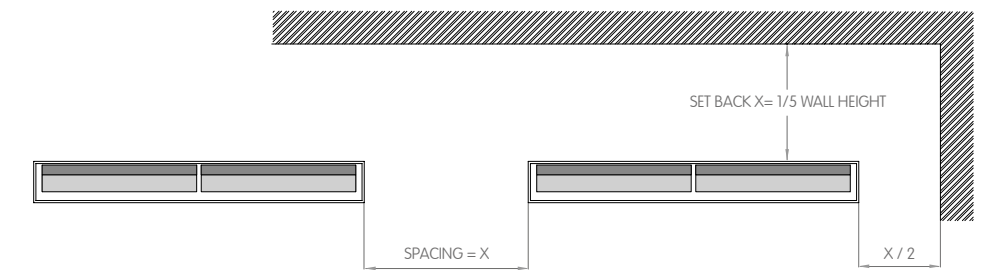
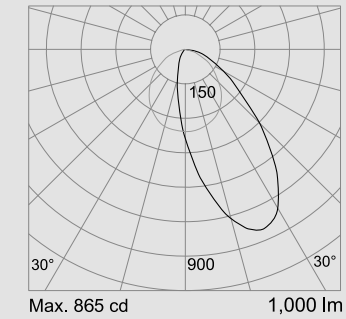
Notes: <sup>1</sup> Available dimming 0-10V and DALI

### OPTICAL FLEXIBILITY

Per Millimeter

#### Photometric data: Type C Polar Curves

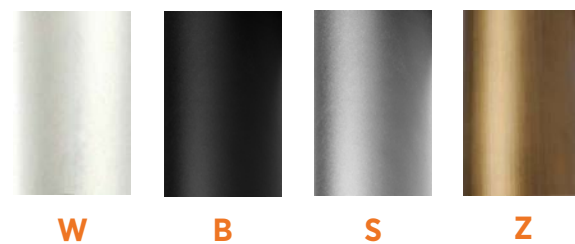
##### Wallwash Beam



Code example: **SPSF-W12W-B-W927-2**

Series	Length	Body Finish	Baffle Finish	Beam Angle	CRI	Color Temp	Circuit			
<b>SPSF-W</b>	12	279mm	<b>W</b> White	<b>B</b> Black	<b>W</b> Wallwash	<b>9</b> +90	<b>27</b> 2700K	<b>1</b> 1-Circuit		
			<b>B</b> Black	<b>X</b> Custom					<b>30</b> 3000K	<b>2</b> 2-Circuit
			<b>S</b> Silver						<b>35</b> 3500K	
			<b>Z</b> Bronze						<b>40</b> 4000K	
			<b>X</b> Custom							

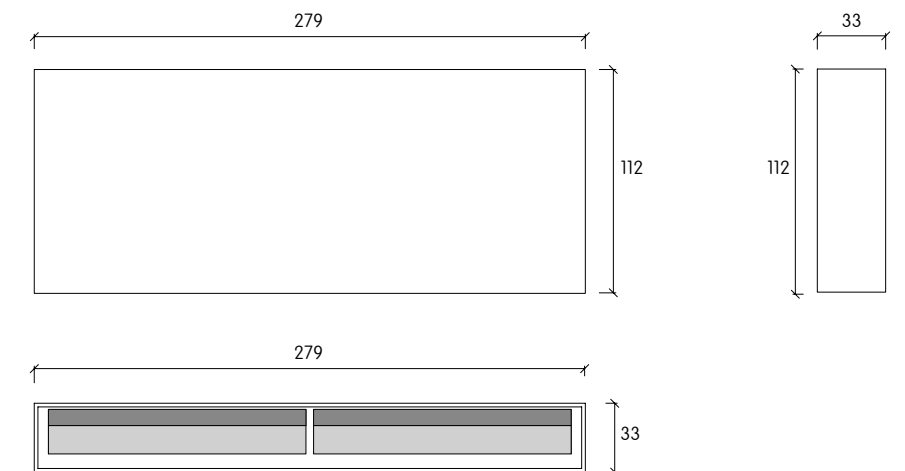
#### STANDARD FINISHES



#### DELIVERED LUMEN OUTPUT

Length	Watts	CRI +90			
		2700K	3000K	3500K	4000K
279mm	16W	948lm	1053lm	1158lm	1274lm

#### DROP WASHER



# SPECTER STANDARD MODULES

## Drop Dot



DROP DOT

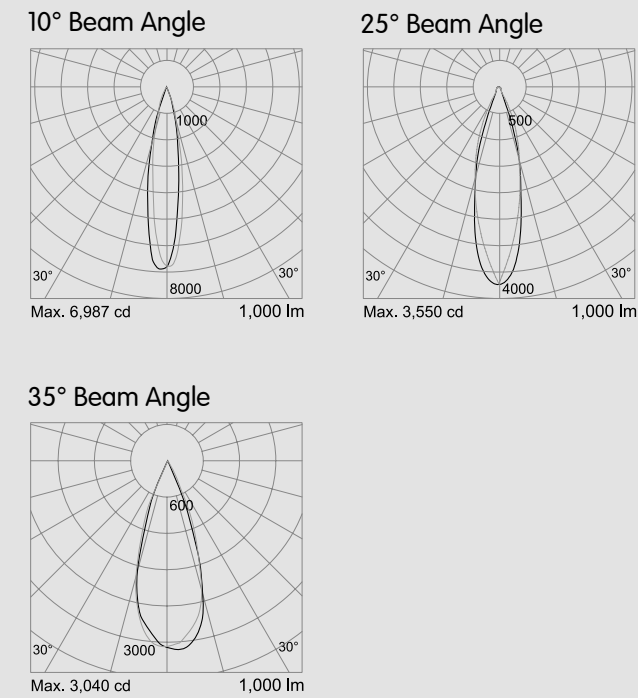
- Up to 1900lm delivered output
- Available in 317mm sections
- Available in Low glare baffles
- Fixtures designed to mount in SPECTER track<sup>1</sup>
- Available in 4 standard finishes: Black, white, silver and bronze
- IP Rating: IP40
- Standard black baffles, custom colors are available upon request. Consult factory for added cost and lead-times

Notes: <sup>1</sup> Available dimming 0-10V and DALI

### OPTICAL FLEXIBILITY

Per Millimeter

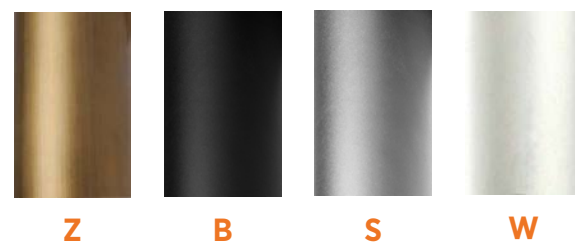
#### Photometric data: Type C Polar Curves



Code example: **SPSF-D12W-B-N927-2**

Series	Length	Body Finish	Baffle Finish	Beam Angle	CRI	Color Temp	Circuit
<b>SPSF-D</b>	12 317mm	<b>W</b> White	<b>B</b> Black <b>X</b> Custom	<b>N</b> 10°	<b>9</b> +90	<b>27</b> 2700K	<b>1</b> 1-Circuit <b>2</b> 2-Circuit
		<b>B</b> Black		<b>M</b> 25°		<b>30</b> 3000K	
		<b>S</b> Silver		<b>F</b> 35°		<b>35</b> 3500K	
		<b>Z</b> Bronze		<b>40</b> 4000K			
		<b>X</b> Custom					

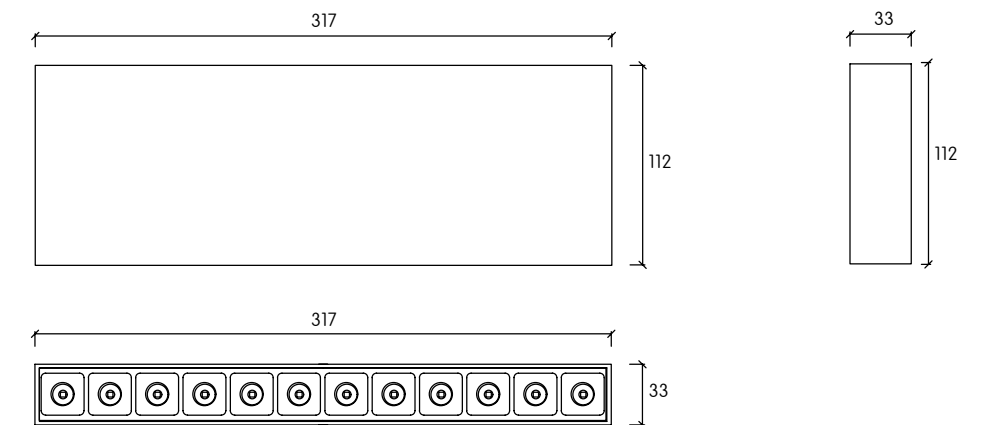
#### STANDARD FINISHES



#### DELIVERED LUMEN OUTPUT

Length	Watts	CRI +90			
		2700K	3000K	3500K	4000K
317mm	16W	1139lm	1266lm	1393lm	1532lm

#### DROP DOT



# SPECTER STANDARD MODULES

## Undrop Opal



UNDROP LINE

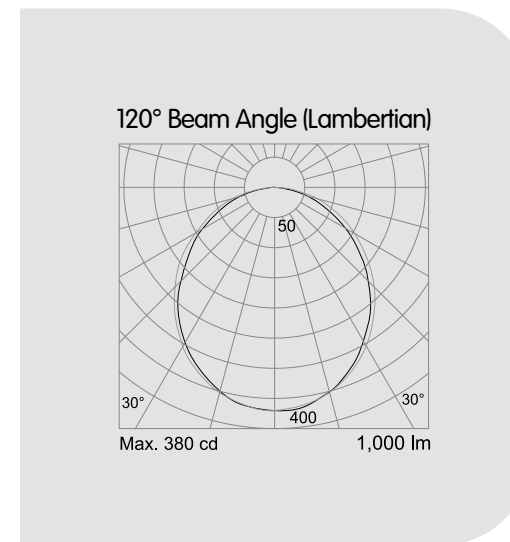
- Up to 3084lm delivered output
- Available in various length from 84mm to 960mm sections
- Available in Opal lens
- Fixtures designed to mount in SPECTER track
- Available in 4 standard finishes: Black, white, silver and bronze

Notes: <sup>1</sup> Available dimming 0-10V and DALI

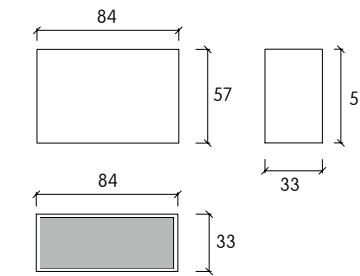
### OPTICAL FLEXIBILITY

Per Millimeter

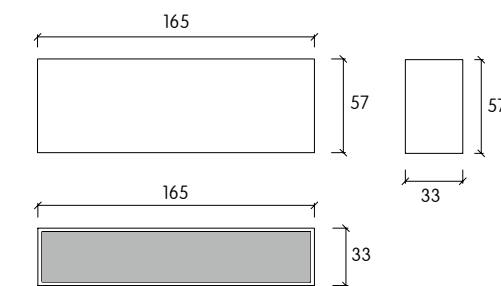
#### Photometric data: Type C Polar Curves



#### UNDROP LINE 3



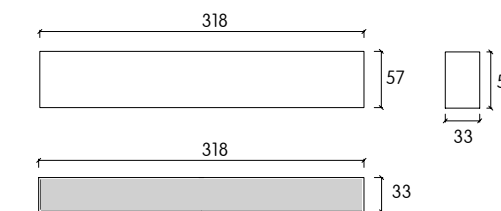
#### UNDROP LINE 6



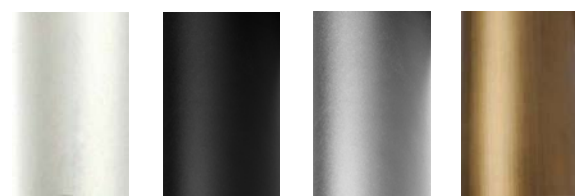
Code example: **SPSF-O03W-L927-2**

Series	Length	Body Finish	Beam Angle	CRI	Color Temp	Circuit	
<b>SPSF-O</b>	<b>03</b>	84mm	<b>W</b> White	<b>L</b> 120°	<b>9</b> +90	<b>27</b> 2700K	<b>1</b> 1-Circuit
	<b>06</b>	165mm	<b>B</b> Black			<b>30</b> 3000K	<b>2</b> 2-Circuit
	<b>12</b>	318mm	<b>S</b> Silver			<b>35</b> 3500K	
	<b>24</b>	640mm	<b>Z</b> Bronze			<b>40</b> 4000K	
	<b>36</b>	960mm	<b>X</b> Custom				

#### UNDROP LINE 12



#### STANDARD FINISHES

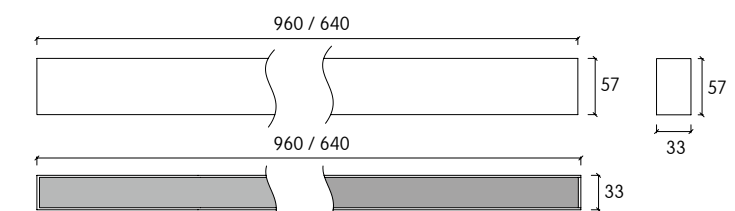


**W B S Z**

#### DELIVERED LUMEN OUTPUT

Length	Watts	CRI +90			
		2700K	3000K	3500K	4000K
84mm	4W	200lm	222lm	244lm	269lm
165mm	7W	439lm	487lm	536lm	590lm
318mm	13W	804lm	893lm	982lm	1080lm
640mm	26W	1545lm	1717lm	1888lm	2077lm
960mm	39W	2294lm	2549lm	2804lm	3084lm

#### UNDROP LINE 36 / 24



# SPECTER STANDARD MODULES

## Undrop Washer



UNDROP WASHER

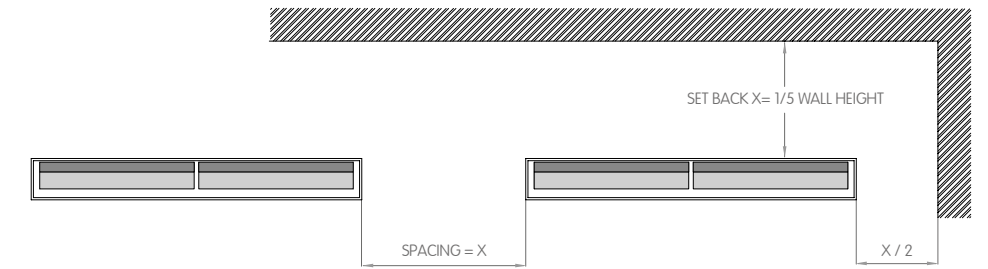
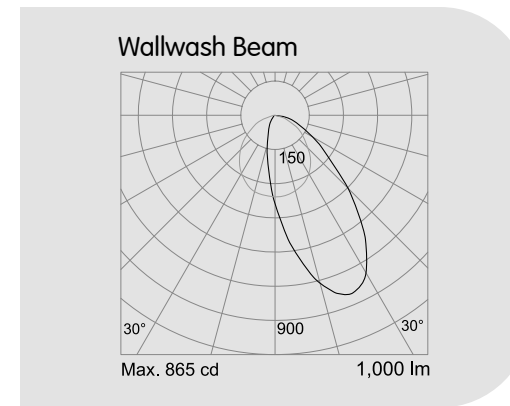
- Up to 2550lm delivered output
- Available in 4 standard lengths 165mm, 279mm, 406mm, 546mm
- Available in wallwash optic
- Fixtures designed to mount in SPECTER track
- Available in 4 standard finishes: Black, white, silver and bronze
- Standard black baffles, custom colors are available upon request. Consult factory for adder cost and lead-times
- Set back of 1/5 of the wall height

Notes: <sup>1</sup> Available dimming 0-10V and DALI

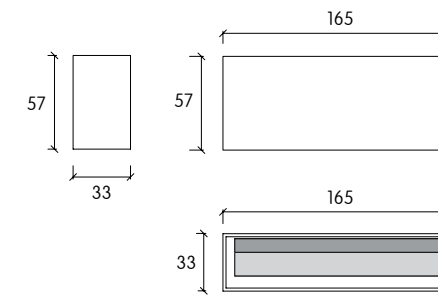
### OPTICAL FLEXIBILITY

Per Millimeter

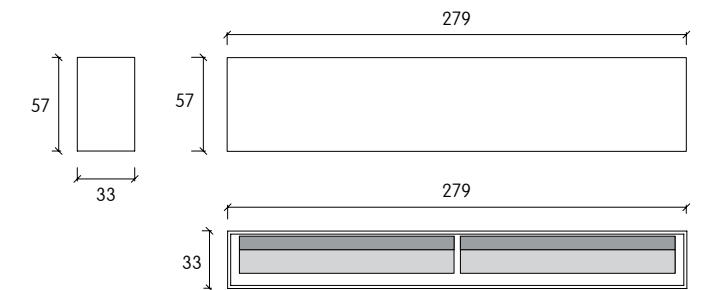
Photometric data:  
Type C Polar Curves



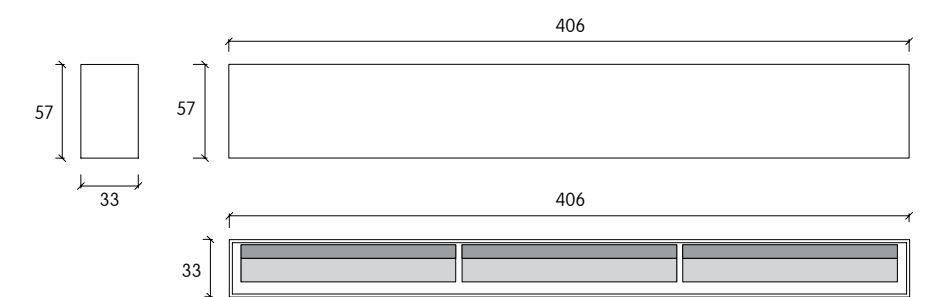
### UNDROP WASHER 6



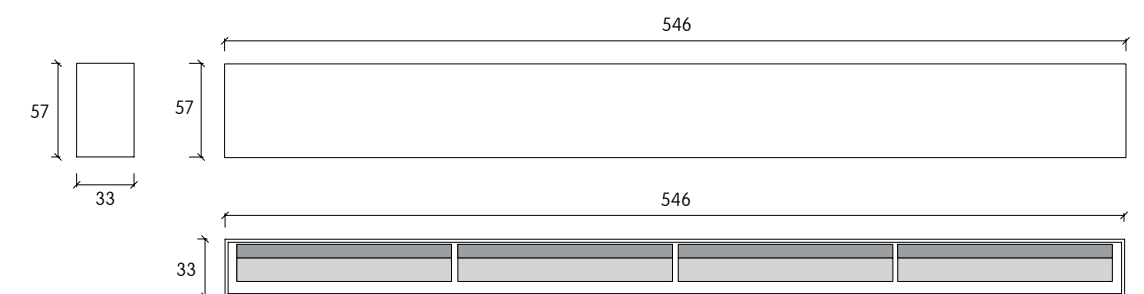
### UNDROP WASHER 12



### UNDROP WASHER 16



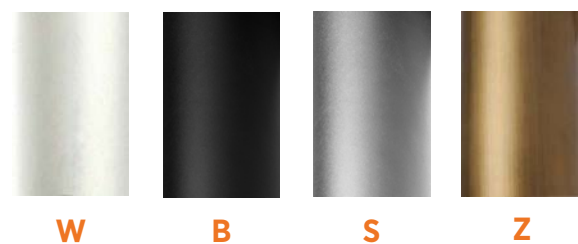
### UNDROP WASHER 21



Code example: **SPSF-W06W-B-W927-2**

Series	Length	Body Finish	Baffle Finish	Beam Angle	CRI	Color Temp	Circuit							
<b>SPSF-W</b>	06	165mm	W	White	B	Black	W	Wallwash	9	+90	27	2700K	1	1-Circuit
	12	279mm	B	Black	X	Custom					30	3000K	2	2-Circuit
	16	406mm	S	Silver							35	3500K		
	21	546mm	Z	Bronze							40	4000K		
		X	Custom											

### STANDARD FINISHES

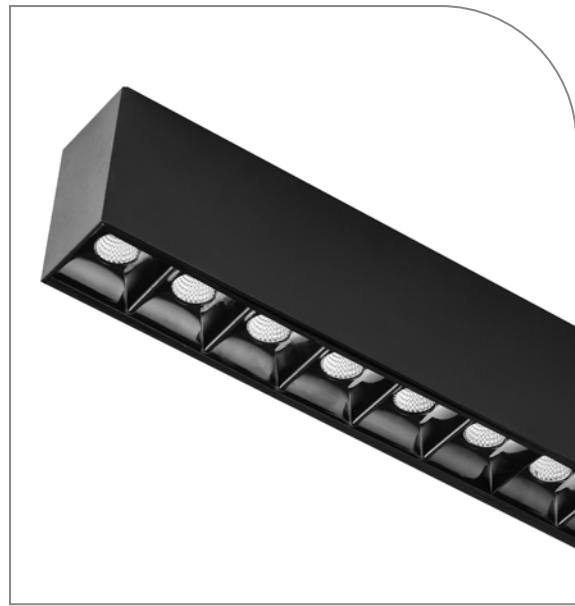


### DELIVERED LUMEN OUTPUT

Length	Watts	CRI +90			
		2700K	3000K	3500K	4000K
165mm	8W	432lm	480lm	528lm	581lm
279mm	16W	948lm	1053lm	1158lm	1274lm
406mm	24W	1536lm	1707lm	1878lm	2065lm
546mm	32W	1900lm	2100lm	2300lm	2550lm

# SPECTER STANDARD MODULES

## Undrop Dot



UNDROP DOT

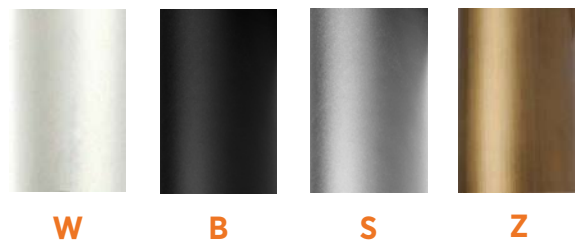
- Up to 1532lm delivered output
- Available in 3 standard lengths 84mm, 165mm, 318mm. (Consult factory for longer sections)
- Available in low glare baffles
- Fixtures designed to mount in SPECTER track
- Available in 4 standard finishes: Black, white, silver and bronze
- Standard black baffles, custom colors are available upon request. Consult factory for added cost and lead-times

Notes: <sup>1</sup> Available dimming 0-10V and DALI

Code example: **SPSF-U03W-B-N927-2**

Series	Length	Body Finish	Baffle Finish	Beam Angle	CRI	Color Temp	Circuit							
<b>SPSF-U</b>	03	84mm	W	White	B	Black	N	10°	9	+90	27	2700K	1	1-Circuit
		165mm	B	Black	X	Custom	M	25°			30	3000K	2	2-Circuit
		318mm	S	Silver			F	35°			35	3500K		
			Z	Bronze							40	4000K		
			X	Custom										

### STANDARD FINISHES



### DELIVERED LUMEN OUTPUT

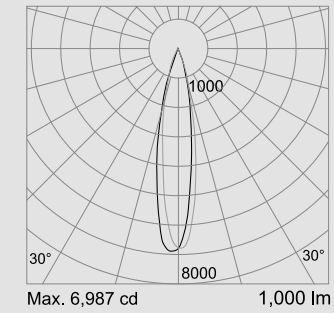
Length	Watts	CRI +90			
		2700K	3000K	3500K	4000K
84mm	4W	326lm	363lm	399lm	439lm
165mm	8W	539lm	599lm	659lm	725lm
318mm	16W	1139lm	1266lm	1393lm	1532lm

### OPTICAL FLEXIBILITY

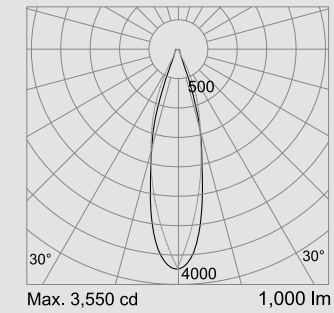
Per Millimeter

### Photometric data: Type C Polar Curves

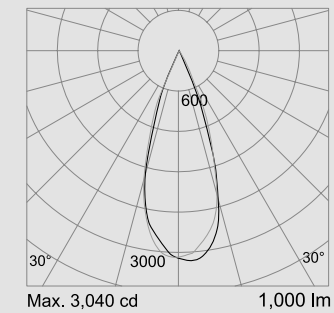
#### 10° Beam Angle



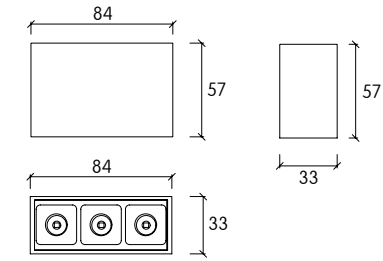
#### 25° Beam Angle



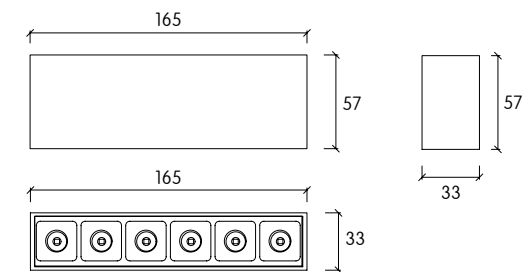
#### 35° Beam Angle



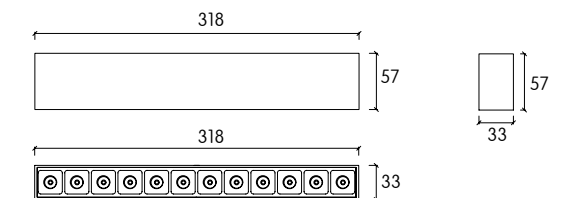
### UNDROP DOT 3



### UNDROP DOT 6



### UNDROP DOT 12



# SPECTER STANDARD MODULES

## Snoot 0



SNOOT 0

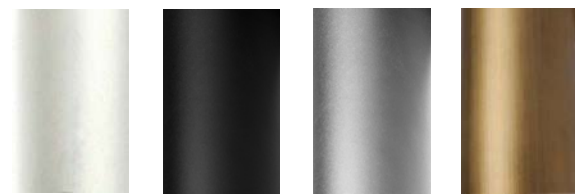
- Up to 580lm delivered output
- Various optical accessories available such as beam shaping lenses and Honeycomb louvers
- Beam options, narrow, medium, flood and wide
- Fixtures designed to mount in SPECTER track
- Available in 4 standard finishes: Black, white, silver and bronze
- Standard black baffles, custom colors are available upon request. Consult factory for adder cost and lead-times

Notes: <sup>1</sup> Available dimming 0-10V and DALI

Code example: **SPSF-S15W-B-N927-2**

Series	Length	Body Finish	Baffle Finish	Beam Angle	CRI	Color Temp	Circuit				
<b>SPSF-S</b>	15	35mm	<b>W</b> White	<b>B</b> Black	<b>N</b> 10°	<b>9</b> +90	<b>27</b> 2700K	<b>1</b> 1-Circuit			
			<b>B</b> Black	<b>X</b> Custom					<b>M</b> 25°	<b>30</b> 3000K	<b>2</b> 2-Circuit
			<b>S</b> Silver						<b>F</b> 35°	<b>35</b> 3500K	
			<b>Z</b> Bronze						<b>H</b> 50°	<b>40</b> 4000K	
			<b>X</b> Custom								

### STANDARD FINISHES



W

B

S

Z

### DELIVERED LUMEN OUTPUT

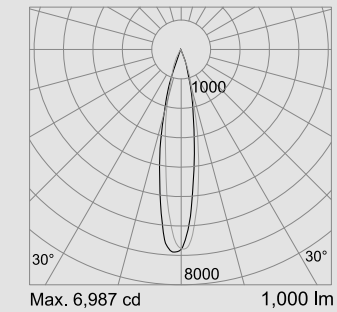
Length	Watts	CRI +90			
		2700K	3000K	3500K	4000K
35mm	5W	431lm	479lm	527lm	580lm

### OPTICAL FLEXIBILITY

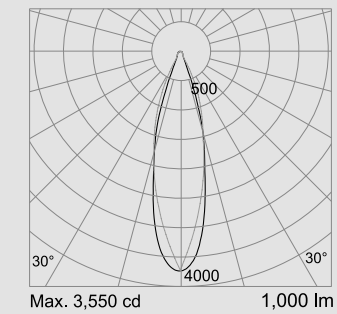
Per Millimeter

### Photometric data: Type C Polar Curves

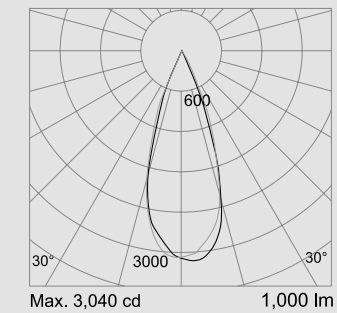
#### 10° Beam Angle



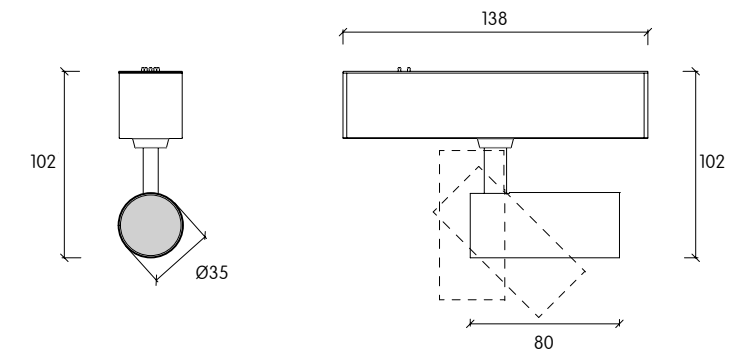
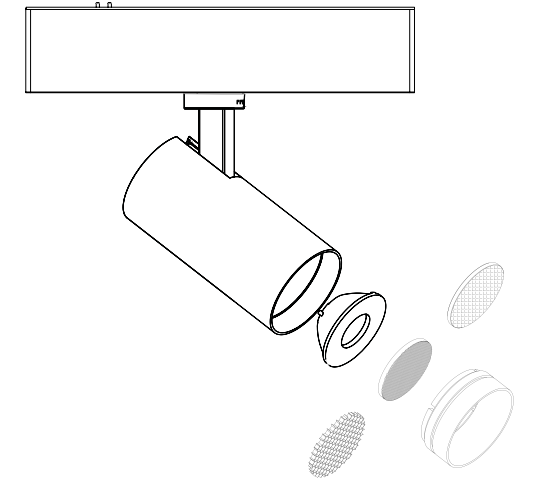
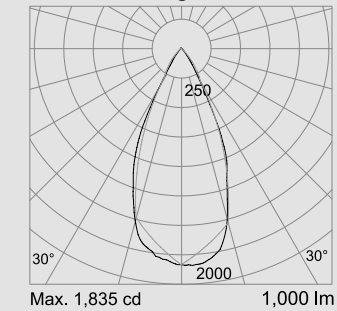
#### 25° Beam Angle



#### 35° Beam Angle

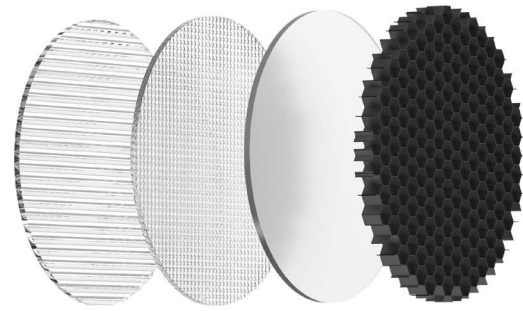


#### 50° Beam Angle



**OPTICAL ACCESSORIES**

Lenses and anti-glare devices



**E:** Elliptical Lens  
**S:** Solite Lens  
**D:** Diffuse Lens  
**H:** Honeycomb Lenses

Fits model # / Size		Beam		Finish	
Snoot 0 Pendant	Diameter 35mm	E	Elliptical	—	None
		S	Solite	BL	Flat Black
		D	Diffuse	SL	Silver
		H	Honeycomb	WH	White

**Beam distribution and combination**



10°+ Diffuse lens

25°+ Diffuse lens

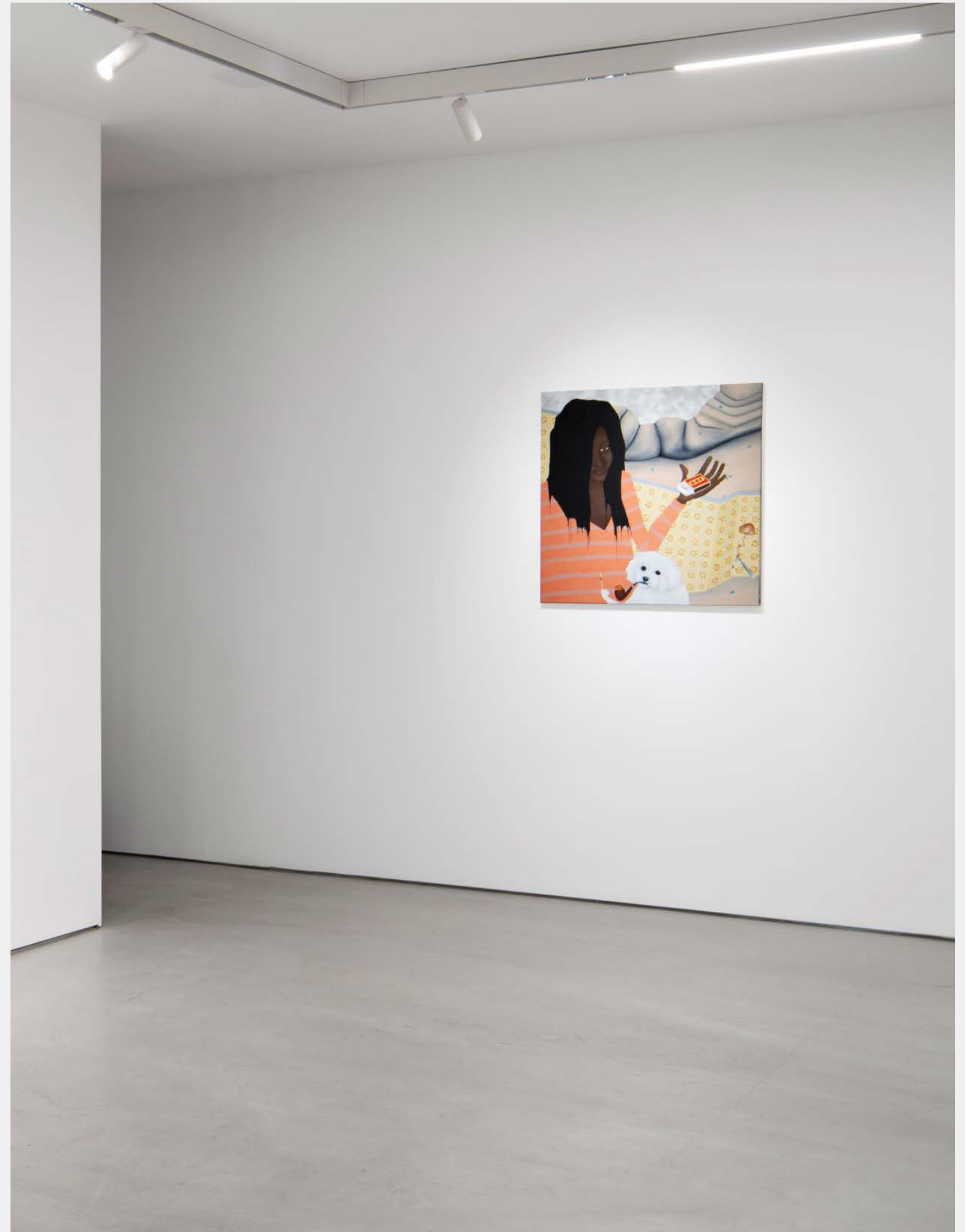
50°+ Diffuse lens



10°+ Elliptical spread lens (10x60)

25°+ Elliptical spread lens (10x60)

35°+ Elliptical spread lens (10x60)



# SPECTER STANDARD MODULES

## Snoot 0 Double



SNOOT 0

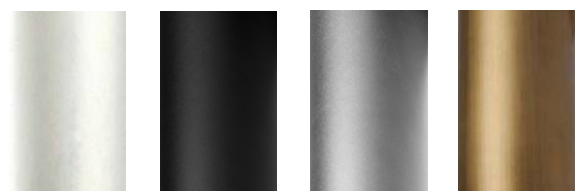
- Up to 580lm delivered output (per snoot)
- Various optical accessories available such as beam shaping lenses and Honeycomb louvers
- Beam options, narrow, medium, flood and wide
- Fixtures designed to mount in SPECTER track
- Available in 4 standard finishes: Black, white, silver and bronze
- Standard black baffles, custom colors are available upon request. Consult factory for added cost and lead-times

Notes: <sup>1</sup> Available dimming 0-10V and DALI

Code example: **SPSF-V15W-B-N927-2**

Series	Length	Body Finish	Baffle Finish	Beam Angle	CRI	Color Temp	Circuit	
<b>SPSF-V</b>	15	35mm	<b>W</b> White	<b>B</b> Black	<b>N</b> 10°	<b>9</b> +90	<b>27</b> 2700K	<b>1</b> 1-Circuit
			<b>B</b> Black	<b>X</b> Custom	<b>M</b> 25°		<b>30</b> 3000K	<b>2</b> 2-Circuit
			<b>S</b> Silver		<b>F</b> 35°		<b>35</b> 3500K	
			<b>Z</b> Bronze		<b>H</b> 50°		<b>40</b> 4000K	
			<b>X</b> Custom					

### STANDARD FINISHES



W

B

S

Z

### DELIVERED LUMEN OUTPUT (PER SNOOT)

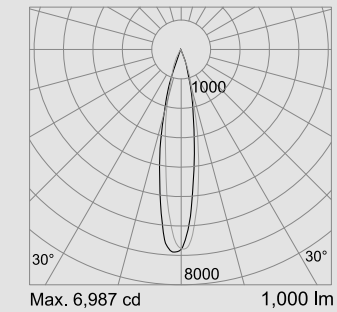
Length	Watts	CRI +90			
		2700K	3000K	3500K	4000K
35mm	5W	431lm	479lm	527lm	580lm

### OPTICAL FLEXIBILITY

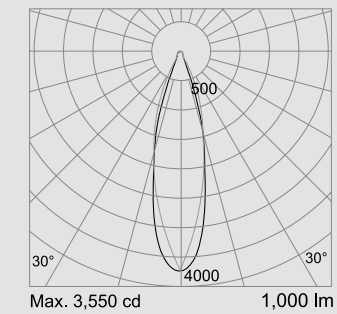
Per Millimeter

### Photometric data: Type C Polar Curves

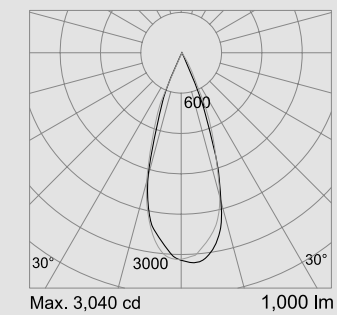
#### 10° Beam Angle



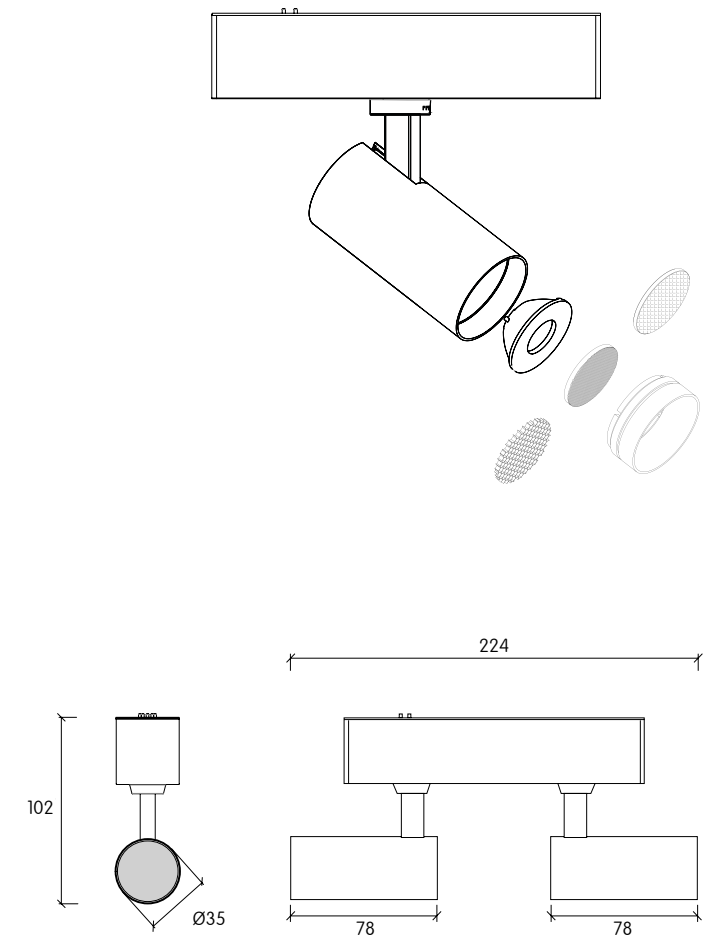
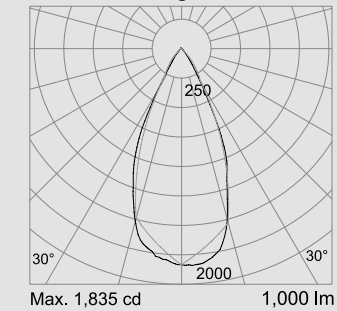
#### 25° Beam Angle



#### 35° Beam Angle

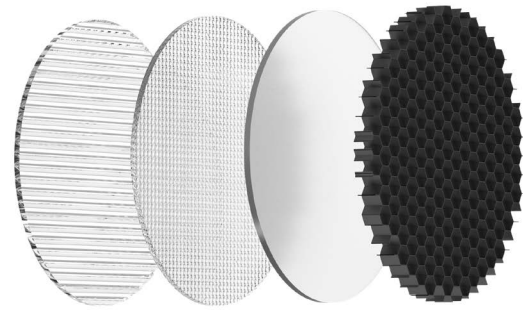


#### 50° Beam Angle



OPTICAL ACCESSORIES

Lenses and anti-glare devices



**E:** Elliptical Lens  
**S:** Solite Lens  
**D:** Diffuse Lens  
**H:** Honeycomb Lenses

Fits model # / Size		Beam		Finish	
Snoot 0 Pendant	Diameter 35mm	E	Elliptical	—	None
		S	Solite	BL	Flat Black
		D	Diffuse	SL	Silver
		H	Honeycomb	WH	White

Beam distribution and combination



10°+ Diffuse lens

25°+ Diffuse lens

50°+ Diffuse lens



10°+ Elliptical spread lens (10x60)

25°+ Elliptical spread lens (10x60)

35°+ Elliptical spread lens (10x60)

# SPECTER STANDARD MODULES

## Snoot 1



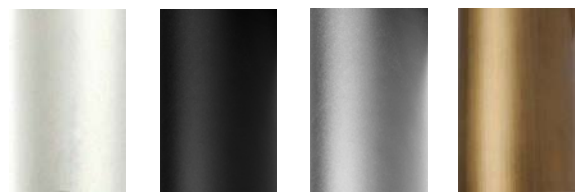
SNOOT 1

- Up to 851lm delivered output
  - Various optical accessories available such as beam shaping lenses and Honeycomb louvers
  - Beam options, narrow, medium, flood and wide
  - Fixtures designed to mount in SPECTER track
  - Available in 4 standard finishes: Black, white, silver and bronze
  - Standard black baffles, custom colors are available upon request. Consult factory for added cost and lead-times
- Notes: <sup>1</sup> Available dimming 0-10V and DALI

Code example: **SPSF-S20W-B-N927-2**

Series	Length		Body Finish		Baffle Finish		Beam Angle		CRI		Color Temp		Circuit	
<b>SPSF-S</b>	20	51mm	<b>W</b>	White	<b>B</b>	Black	<b>N</b>	10°	<b>9</b>	+90	<b>27</b>	2700K	<b>1</b>	1-Circuit
			<b>B</b>	Black	<b>X</b>	Custom	<b>M</b>	25°			<b>30</b>	3000K	<b>2</b>	2-Circuit
			<b>S</b>	Silver			<b>F</b>	35°			<b>35</b>	3500K		
			<b>Z</b>	Bronze			<b>H</b>	50°			<b>40</b>	4000K		
			<b>X</b>	Custom										

### STANDARD FINISHES



W

B

S

Z

### DELIVERED LUMEN OUTPUT

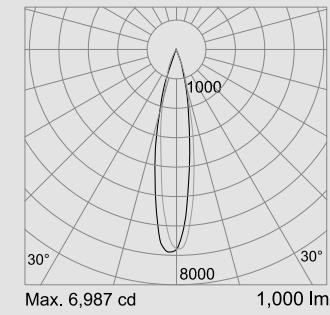
Length	Watts	CRI +90			
		2700K	3000K	3500K	4000K
51mm	10W	633lm	703lm	773lm	851lm

### OPTICAL FLEXIBILITY

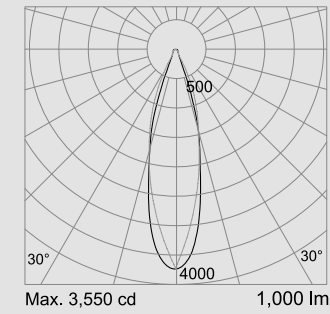
Per Millimeter

### Photometric data: Type C Polar Curves

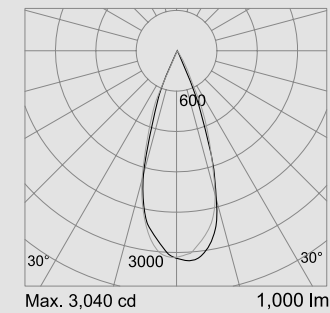
#### 10° Beam Angle



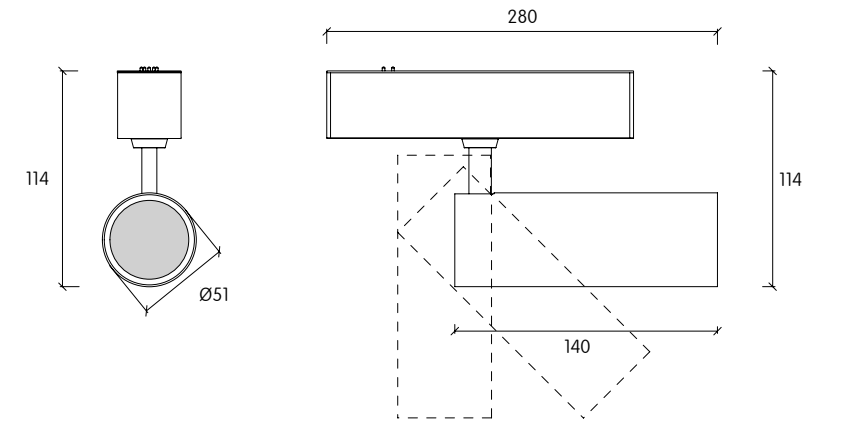
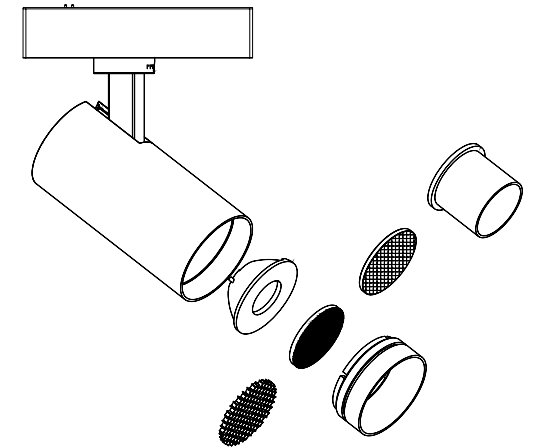
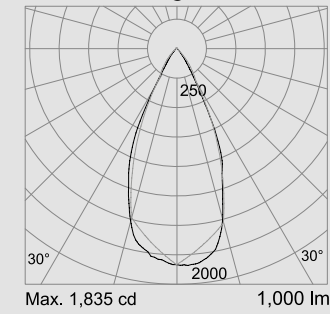
#### 25° Beam Angle



#### 35° Beam Angle

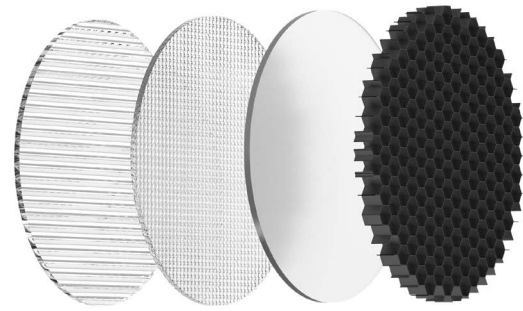


#### 50° Beam Angle



OPTICAL ACCESSORIES

Lenses and anti-glare devices



**E:** Elliptical Lens  
**S:** Solite Lens  
**D:** Diffuse Lens  
**H:** Honeycomb Lenses

Fits model # / Size		Beam		Finish	
Snoot 0 Pendant	Diameter 51mm	E	Elliptical	—	None
		S	Solite	BL	Flat Black
		D	Diffuse	SL	Silver
		H	Honeycomb	WH	White

Beam distribution and combination



10°+ Diffuse lens

25°+ Diffuse lens

50°+ Diffuse lens



10°+ Elliptical spread lens (10x60)

25°+ Elliptical spread lens (10x60)

35°+ Elliptical spread lens (10x60)

# SPECTER STANDARD MODULES

## Snoot 2



SNOOT 2

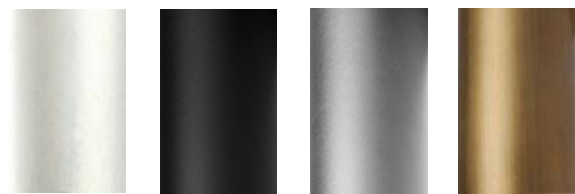
- Up to 1961lm delivered output
- Various optical accessories available such as beam shaping lenses and Honeycomb louvers
- Beam options, narrow, medium, flood and wide
- Fixtures designed to mount in SPECTER track
- Available in 4 standard finishes: Black, white, silver and bronze
- Standard black baffles, custom colors are available upon request. Consult factory for added cost and lead-times

Notes: <sup>1</sup> Available dimming 0-10V and DALI

Code example: **SPSF-S28W-B-N927-2**

Series	Length		Body Finish		Baffle Finish		Beam Angle		CRI		Color Temp		Circuit	
<b>SPSF-S</b>	28	71mm	<b>W</b>	White	<b>B</b>	Black	<b>N</b>	10°	<b>9</b>	+90	<b>27</b>	2700K	<b>1</b>	1-Circuit
			<b>B</b>	Black	<b>X</b>	Custom	<b>M</b>	25°	<b>30</b>	3000K	<b>2</b>	2-Circuit		
			<b>S</b>	Silver			<b>F</b>	35°	<b>35</b>	3500K				
			<b>Z</b>	Bronze			<b>H</b>	50°	<b>40</b>	4000K				
			<b>X</b>	Custom										

### STANDARD FINISHES



W

B

S

Z

### DELIVERED LUMEN OUTPUT

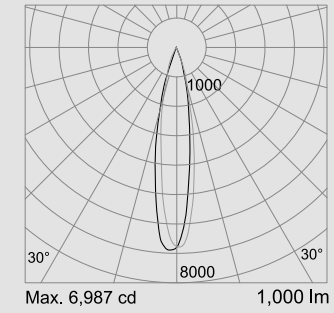
Length	Watts	CRI +90			
		2700K	3000K	3500K	4000K
71mm	20W	1459lm	1621lm	1783lm	1961lm

### OPTICAL FLEXIBILITY

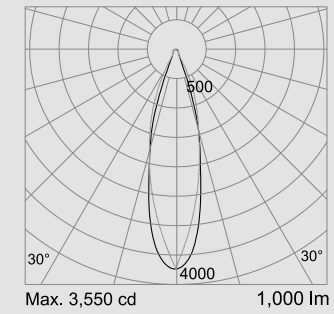
Per Millimeter

### Photometric data: Type C Polar Curves

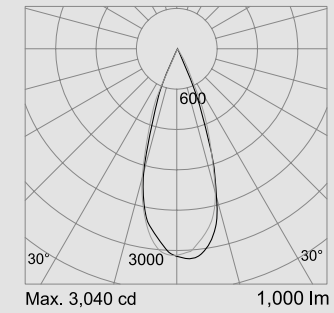
#### 10° Beam Angle



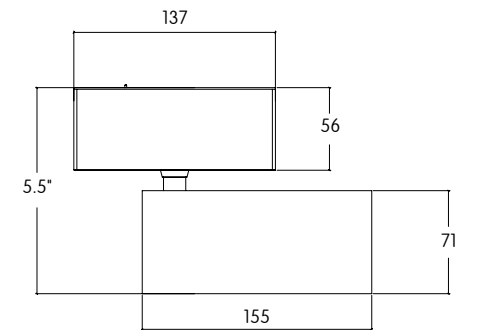
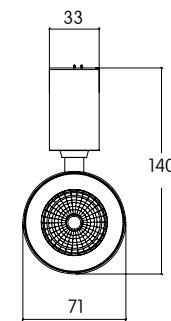
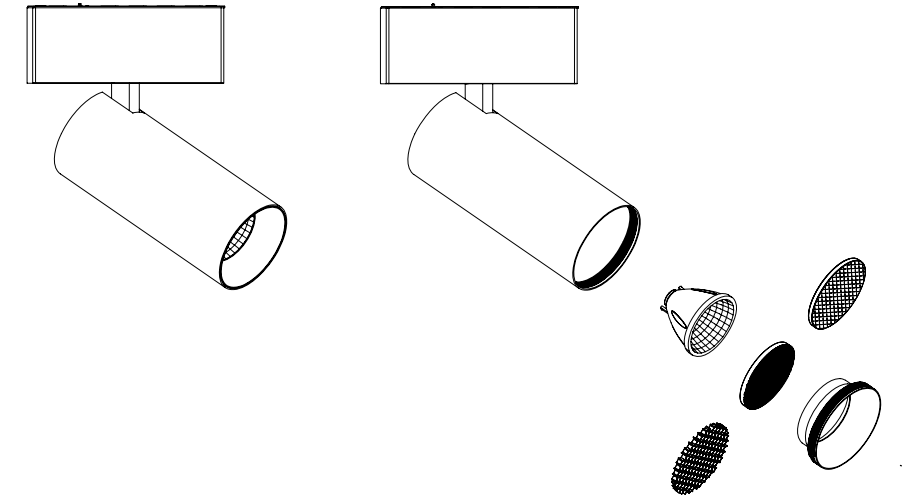
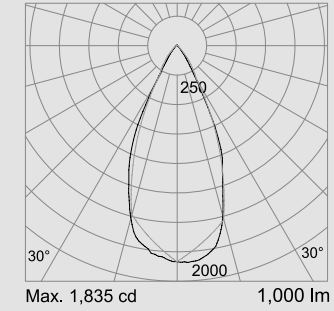
#### 25° Beam Angle



#### 35° Beam Angle

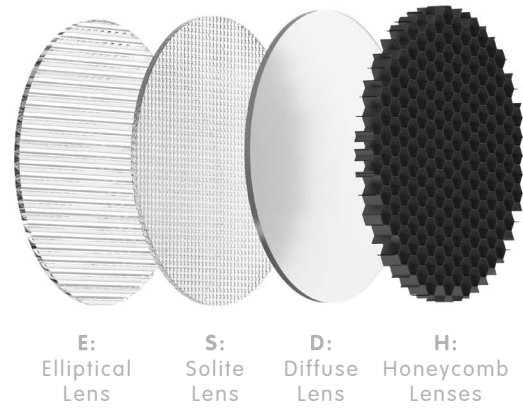


#### 50° Beam Angle



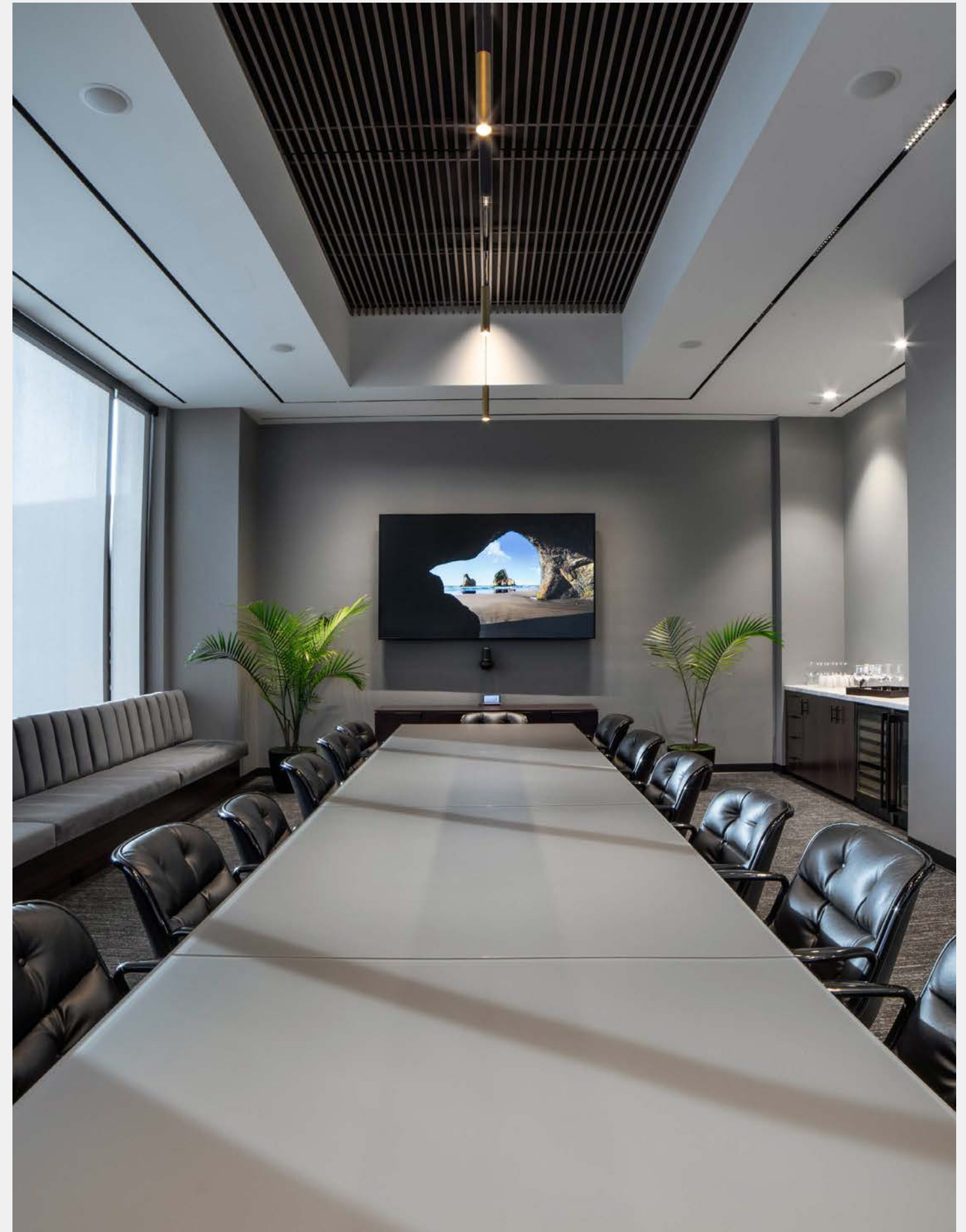
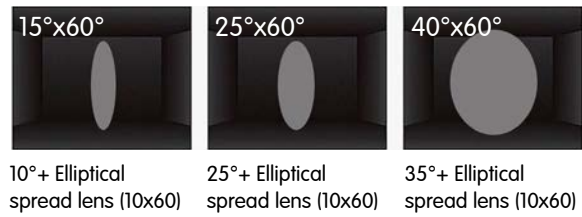
**OPTICAL ACCESSORIES**

Lenses and anti-glare devices



Fits model # / Size		Beam		Finish	
Snoot 0 Pendant	Diameter 71mm	E	Elliptical	—	None
		S	Solite	BL	Flat Black
		D	Diffuse	SL	Silver
		H	Honeycomb	WH	White

**Beam distribution and combination**



# SPECTER STANDARD MODULES

## Snoot 0 Pendant



SNOOT 0 PENDANT

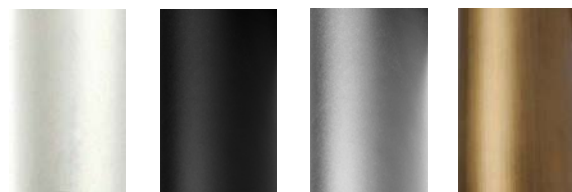
- Up to 580lm delivered output
- Various optical accessories available such as beam shaping lenses and Honeycomb louvers
- Beam options, narrow, medium, flood and wide
- Fixtures designed to mount in SPECTER track
- Available in 4 standard finishes: Black, white, silver and bronze
- Standard black baffles, custom colors are available upon request. Consult factory for added cost and lead-times

Notes: <sup>1</sup> Available dimming 0-10V and DALI

Code example: **SPSF-P15W-B-N927-2**

Series	Length	Body Finish	Baffle Finish	Beam Angle	CRI	Color Temp	Circuit	
<b>SPSF-P</b>	15	35mm	<b>W</b> White	<b>B</b> Black	<b>N</b> 10°	<b>9</b> +90	<b>27</b> 2700K	<b>1</b> 1-Circuit
			<b>B</b> Black	<b>X</b> Custom	<b>M</b> 25°		<b>30</b> 3000K	<b>2</b> 2-Circuit
			<b>S</b> Silver		<b>F</b> 35°		<b>35</b> 3500K	
			<b>Z</b> Bronze		<b>H</b> 50°		<b>40</b> 4000K	
			<b>X</b> Custom					

### STANDARD FINISHES



W

B

S

Z

### DELIVERED LUMEN OUTPUT

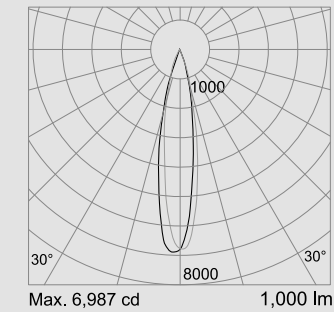
Length	Watts	CRI +90			
		2700K	3000K	3500K	4000K
35mm	5W	431lm	479lm	527lm	580lm

### OPTICAL FLEXIBILITY

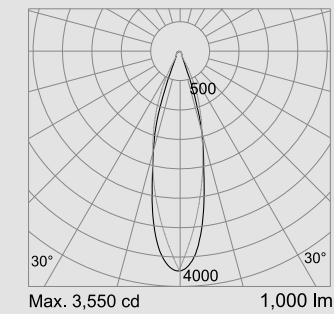
Per Millimeter

### Photometric data: Type C Polar Curves

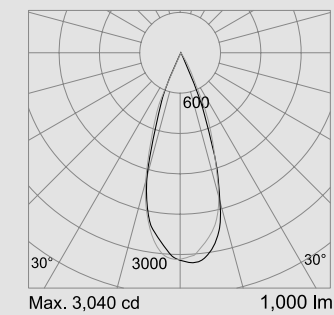
#### 10° Beam Angle



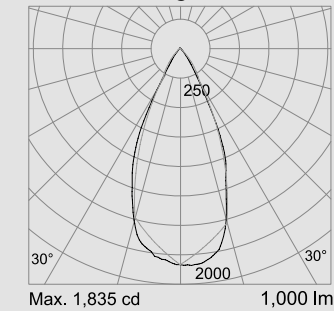
#### 25° Beam Angle



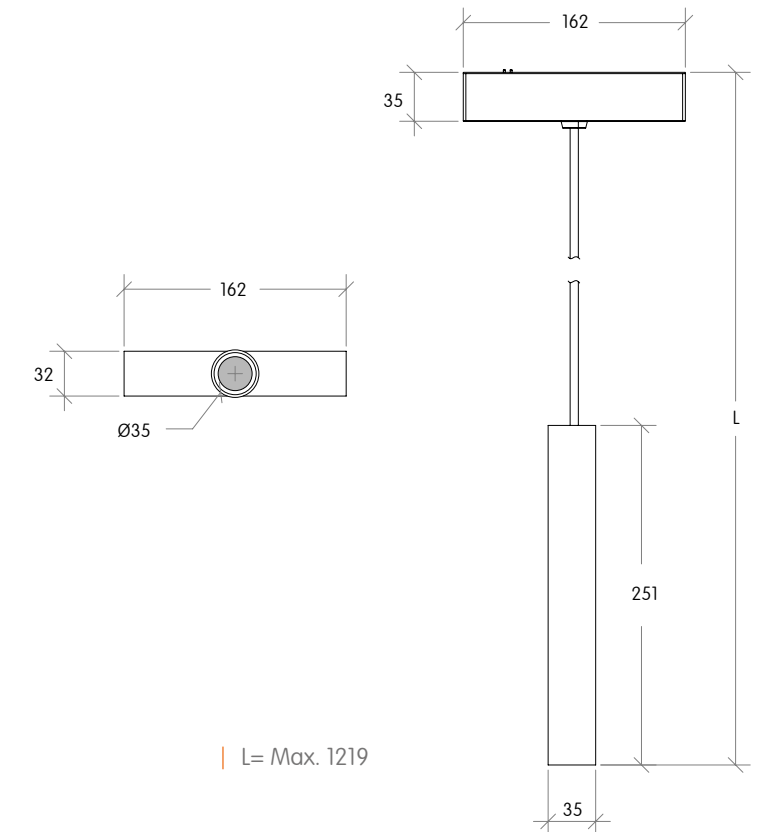
#### 35° Beam Angle



#### 50° Beam Angle

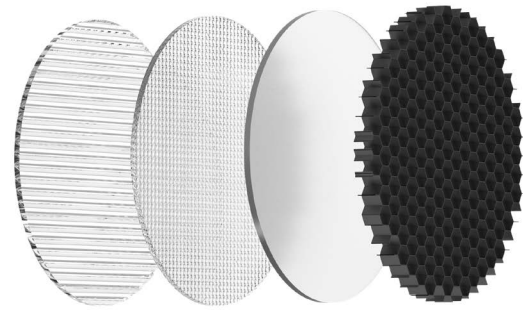


### SNOOT 0 PENDANT



OPTICAL ACCESSORIES

Lenses and anti-glare devices



**E:** Elliptical Lens  
**S:** Solite Lens  
**D:** Diffuse Lens  
**H:** Honeycomb Lenses

Fits model # / Size		Beam		Finish	
Snoot 0 Pendant	Diameter 35mm	E	Elliptical	—	None
		S	Solite	BL	Flat Black
		D	Diffuse	SL	Silver
		H	Honeycomb	WH	White

Beam distribution and combination



10°+ Diffuse lens

25°+ Diffuse lens

50°+ Diffuse lens



10°+ Elliptical spread lens (10x60)

25°+ Elliptical spread lens (10x60)

35°+ Elliptical spread lens (10x60)

# SPECTER STANDARD MODULES

## Snoot 1 Pendant



SNOOT 1 PENDANT

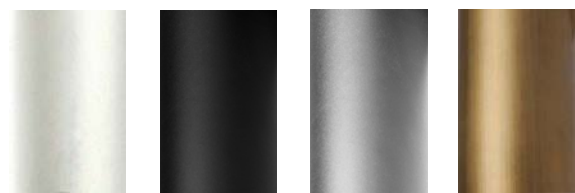
- Up to 851lm delivered output
- Various optical accessories available such as beam shaping lenses and Honeycomb louvers
- Beam options, narrow, medium, flood and wide
- Fixtures designed to mount in SPECTER track
- Available in 4 standard finishes: Black, white, silver and bronze
- Standard black baffles, custom colors are available upon request. Consult factory for added cost and lead-times

Notes: <sup>1</sup> Available dimming 0-10V and DALI

Code example: **SPSF-P20W-B-N927-2**

Series	Length		Body Finish		Baffle Finish		Beam Angle		CRI		Color Temp		Circuit	
<b>SPSF-P</b>	20	51mm	<b>W</b>	White	<b>B</b>	Black	<b>N</b>	10°	<b>9</b>	+90	<b>27</b>	2700K	<b>1</b>	1-Circuit
			<b>B</b>	Black	<b>X</b>	Custom	<b>M</b>	25°			<b>30</b>	3000K	<b>2</b>	2-Circuit
			<b>S</b>	Silver			<b>F</b>	35°			<b>35</b>	3500K		
			<b>Z</b>	Bronze			<b>H</b>	50°			<b>40</b>	4000K		
			<b>X</b>	Custom										

### STANDARD FINISHES



W

B

S

Z

### DELIVERED LUMEN OUTPUT

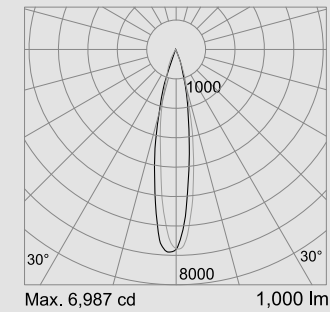
Length	Watts	CRI +90			
		2700K	3000K	3500K	4000K
51mm	10W	633lm	703lm	773lm	851lm

### OPTICAL FLEXIBILITY

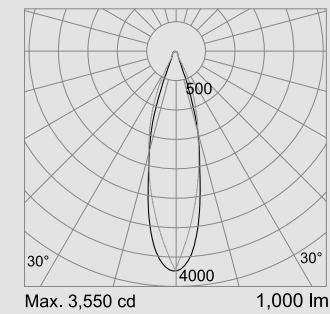
Per Millimeter

### Photometric data: Type C Polar Curves

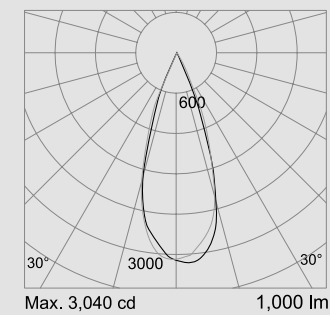
#### 10° Beam Angle



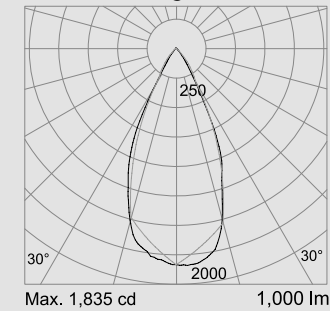
#### 25° Beam Angle



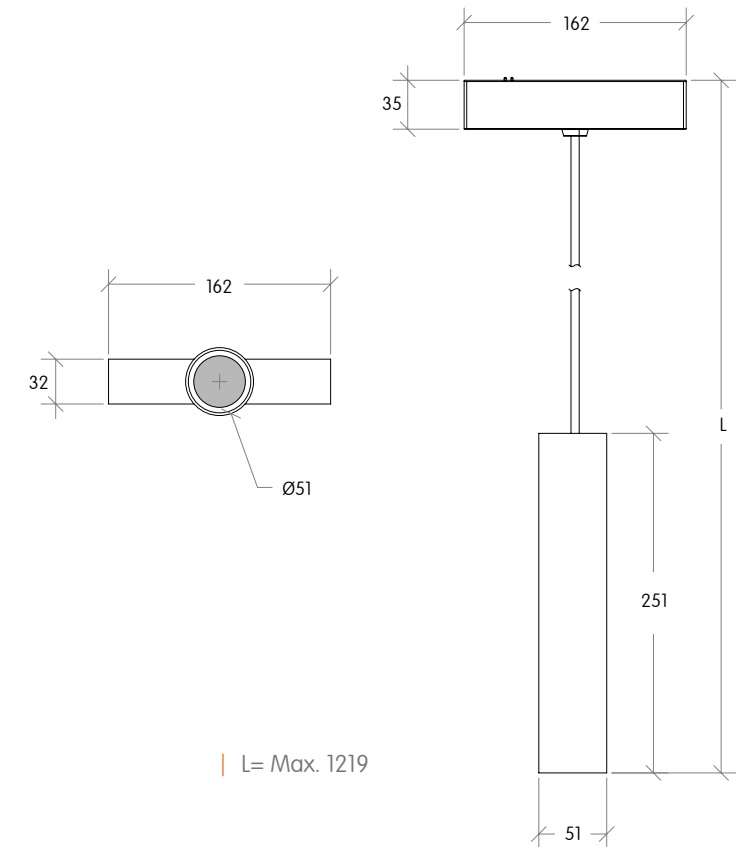
#### 35° Beam Angle



#### 50° Beam Angle

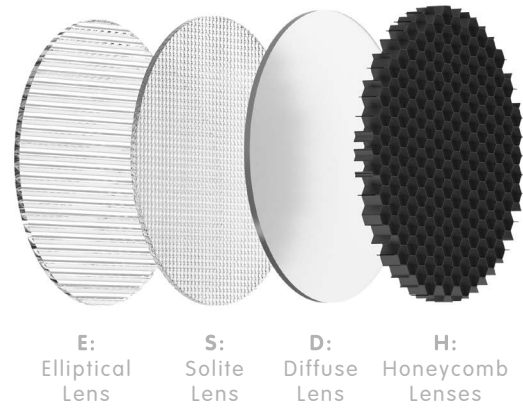


### SNOOT 1 PENDANT



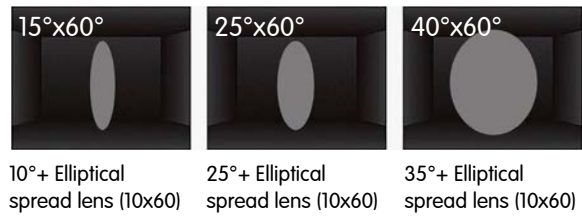
OPTICAL ACCESSORIES

Lenses and anti-glare devices



Fits model # / Size		Beam		Finish	
Snoot 0 Pendant	Diameter 51mm	E	Elliptical	—	None
		S	Solite	BL	Flat Black
		D	Diffuse	SL	Silver
		H	Honeycomb	WH	White

Beam distribution and combination



# SPECTER STANDARD MODULES

## Snoot 1 Zoomable



SNOOT 1 ZOOMABLE

- Up to 927lm delivered output
- Available in 1 diameter size, 56mm
- Various optical accessories available such as beam shaping lenses and Honeycomb louvers
- Beam options, narrow, medium and flood
- Fixtures designed to mount in SPECTER track
- Available in 2 standard finishes: Black and white

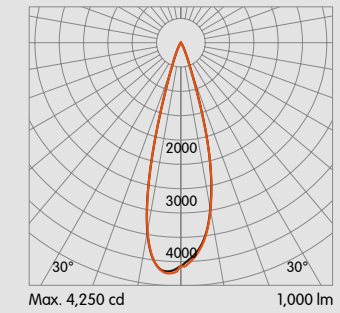
Notes: <sup>1</sup> Available dimming 0-10V and DALI

### OPTICAL FLEXIBILITY

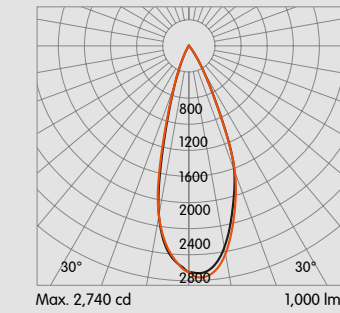
Per Millimeter

Photometric data: Type C Polar Curves

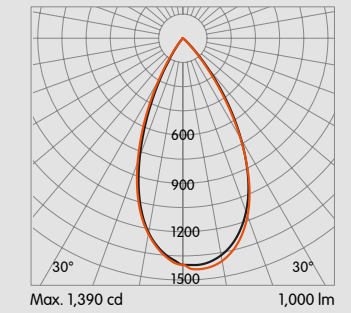
25° Beam Angle



40° Beam Angle



55° Beam Angle



Code example: **SPSF-Z22W-Z927-2**

Series	Length	Body Finish	Beam Angle	CRI	Color Temp	Circuit
<b>SPSF-Z</b>	22	56mm	Z 25° - 55°	9	+90	1-Circuit
						27 2700K
						2 2-Circuit
						30 3000K
						35 3500K
						40 4000K

### STANDARD FINISHES



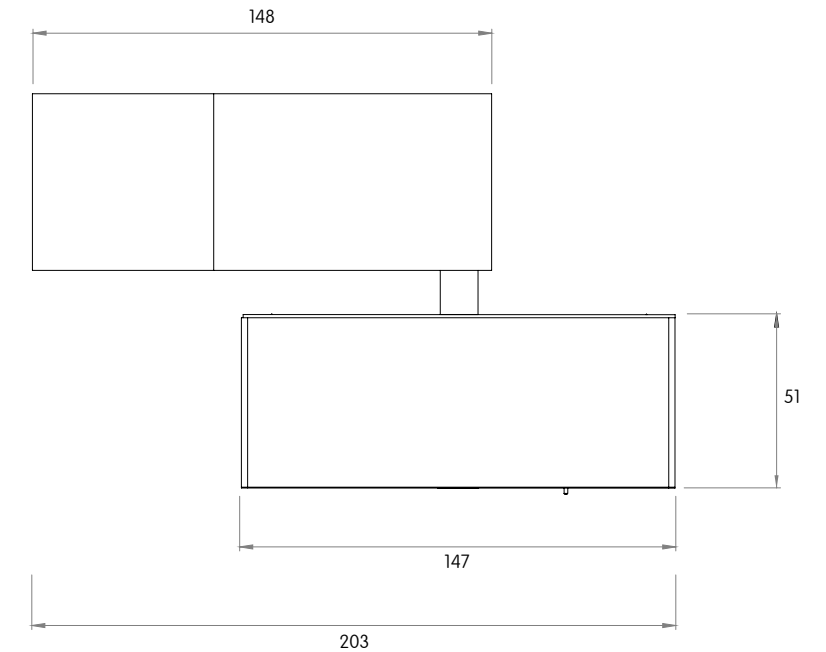
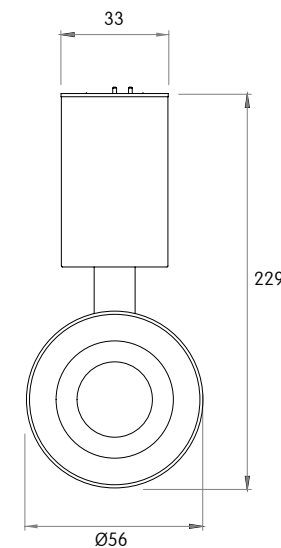
W

B

### DELIVERED LUMEN OUTPUT

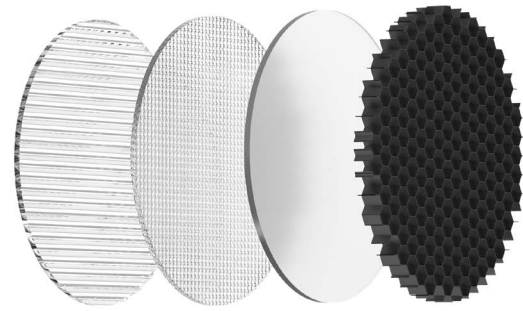
Length	Watts	CRI +90			
		2700K	3000K	3500K	4000K
56mm	10W	749lm	804lm	865lm	927lm

### SNOOT 1 ZOOMABLE



**OPTICAL ACCESSORIES**

Lenses and anti-glare devices



**E:** Elliptical Lens  
**S:** Solite Lens  
**D:** Diffuse Lens  
**H:** Honeycomb Lenses

Fits model # / Size		Beam		Finish	
Snoot 0 Pendant	Diameter 56mm	E	Elliptical	—	None
		S	Solite	BL	Flat Black
		D	Diffuse	SL	Silver
		H	Honeycomb	WH	White

**Beam distribution and combination**



10°+ Diffuse lens

25°+ Diffuse lens

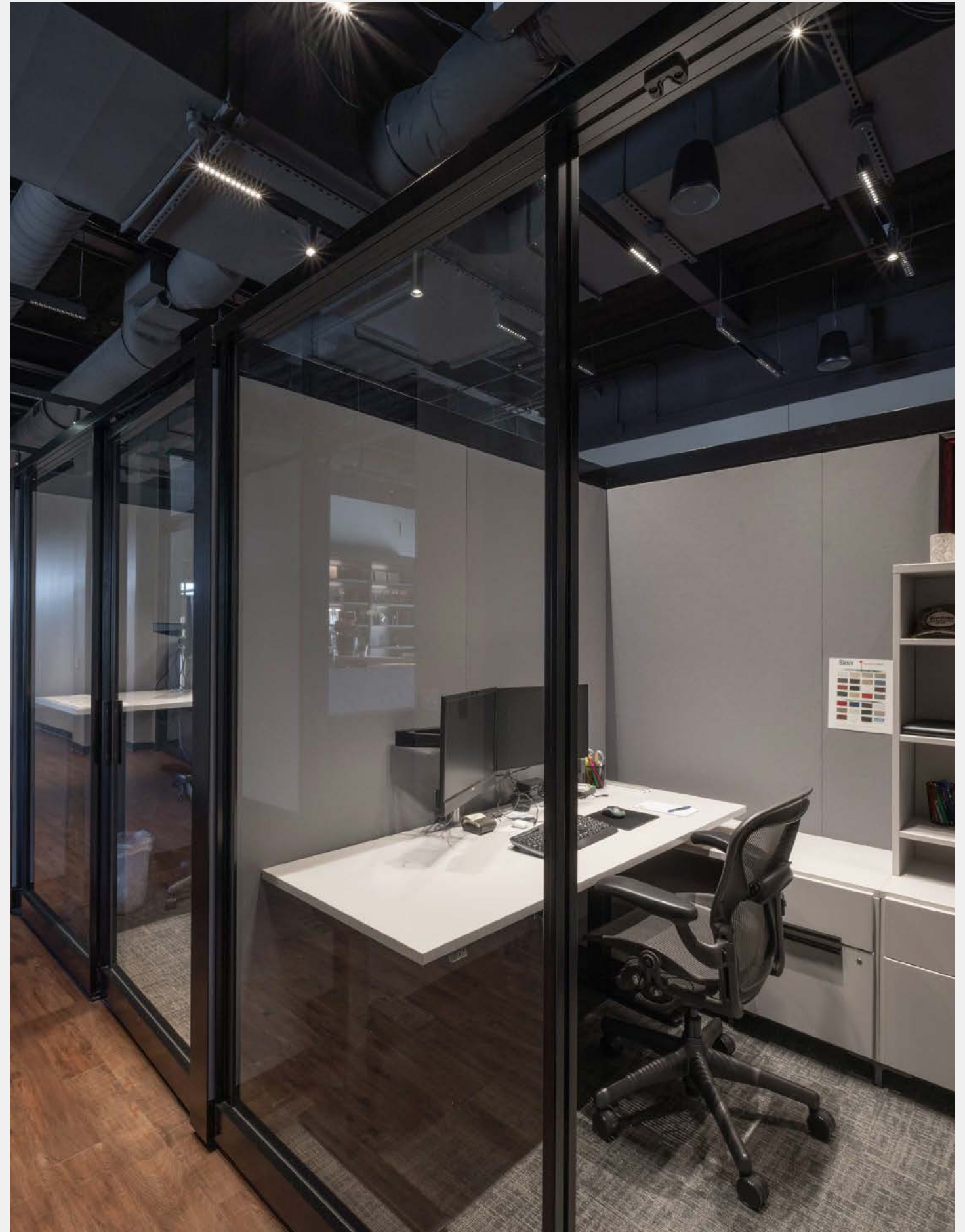
50°+ Diffuse lens



10°+ Elliptical spread lens (10x60)

25°+ Elliptical spread lens (10x60)

35°+ Elliptical spread lens (10x60)



# SPECTER STANDARD MODULES

## Frame Forming Snoot



FRAME FORMING SNOOT

- Cylinder diameter 56mm
- Equipped with a zoom and focus lens as well as framing shutters
- Fixtures designed to mount in SPECTER track
- Available in 2 standard finishes: Black and white
- Gobo Lens Available as an ad-on Accessory
- Standard black baffles, custom colors are available upon request. Consult factory for added cost and lead-times

Notes: <sup>1</sup> Available dimming ELV 0-10V and DALI

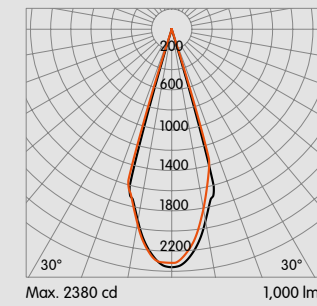
### OPTICAL FLEXIBILITY

Per Millimeter

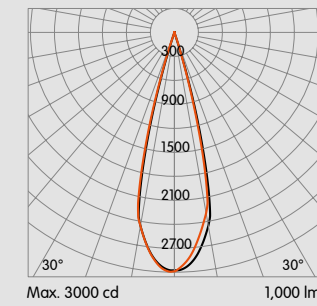
Photometric data: Type C Polar Curves

#### SOFT EDGE BEAM

##### 33° Beam Angle

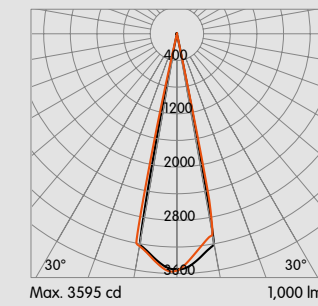


##### 23° Beam Angle

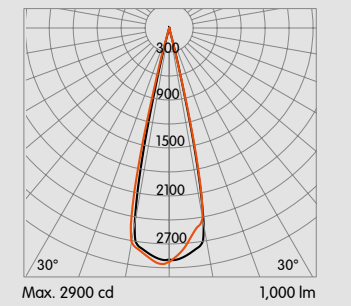


#### SHARP EDGE BEAM

##### 25° Beam Angle



##### 27° Beam Angle

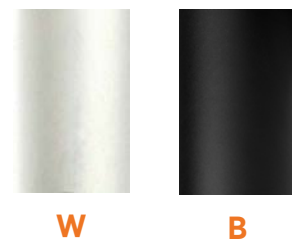


### FRAME FORMING SNOOT

Code example: **SPSF-C-22W-B-Z927-2**

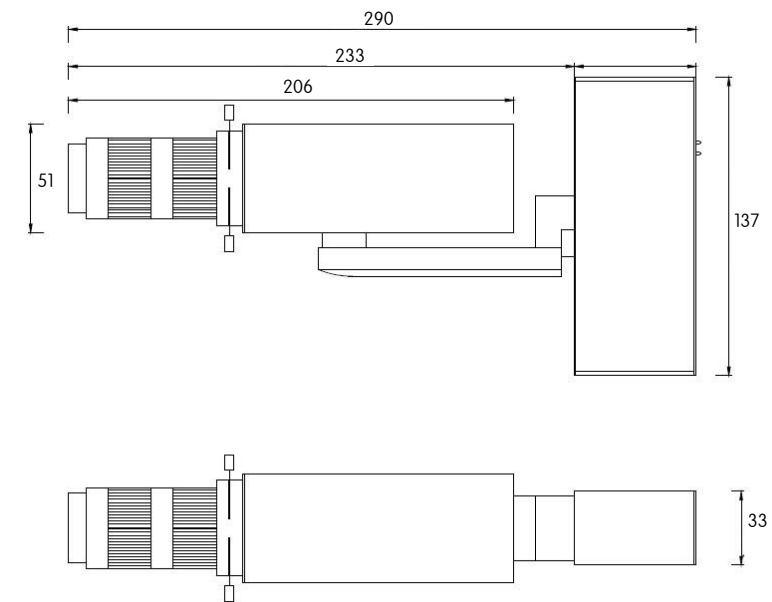
Series	Length	Body Finish	Baffle Finish	Beam Angle	CRI	Color Temp	Circuit		
<b>SPSF-C</b>	22	56mm	<b>W</b> White	<b>B</b> Black	<b>Z</b> 20° - 35°	<b>9</b> +90	<b>27</b> 2700K	<b>1</b> 1-Circuit	
			<b>B</b> Black	<b>X</b> Custom				<b>30</b> 3000K	<b>2</b> 2-Circuit
			<b>X</b> Custom	<b>35</b> 3500K					
			<b>40</b> 4000K						

#### STANDARD FINISHES



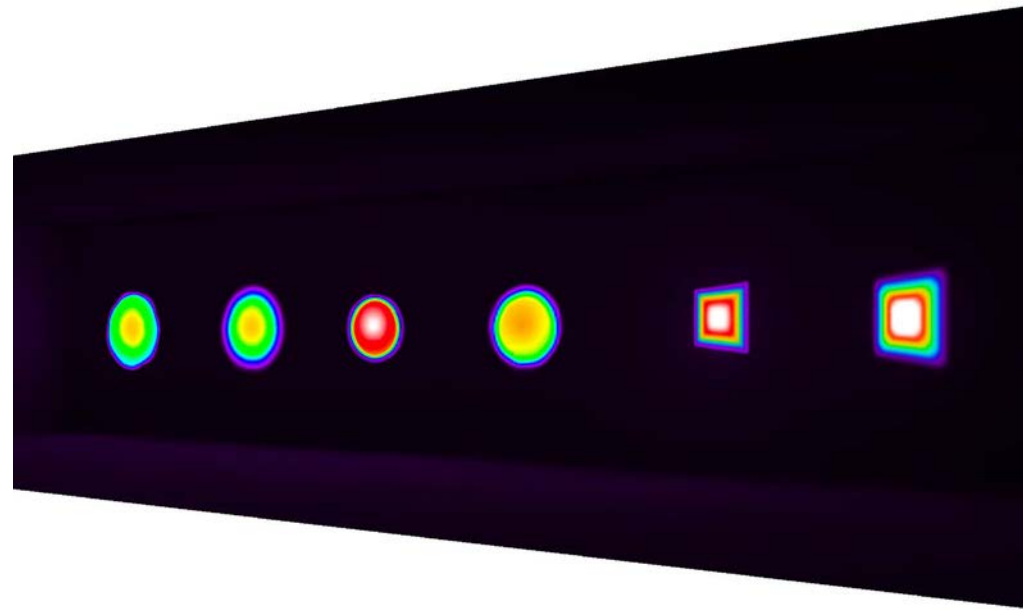
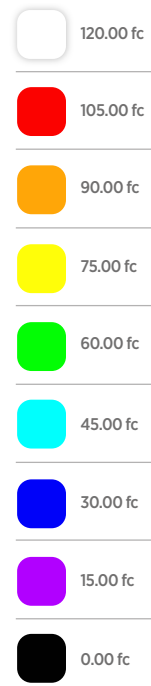
#### DELIVERED LUMEN OUTPUT

Length	Watts	CRI +90			
		2700K	3000K	3500K	4000K
56mm	20W	720lm	780lm	830lm	910lm

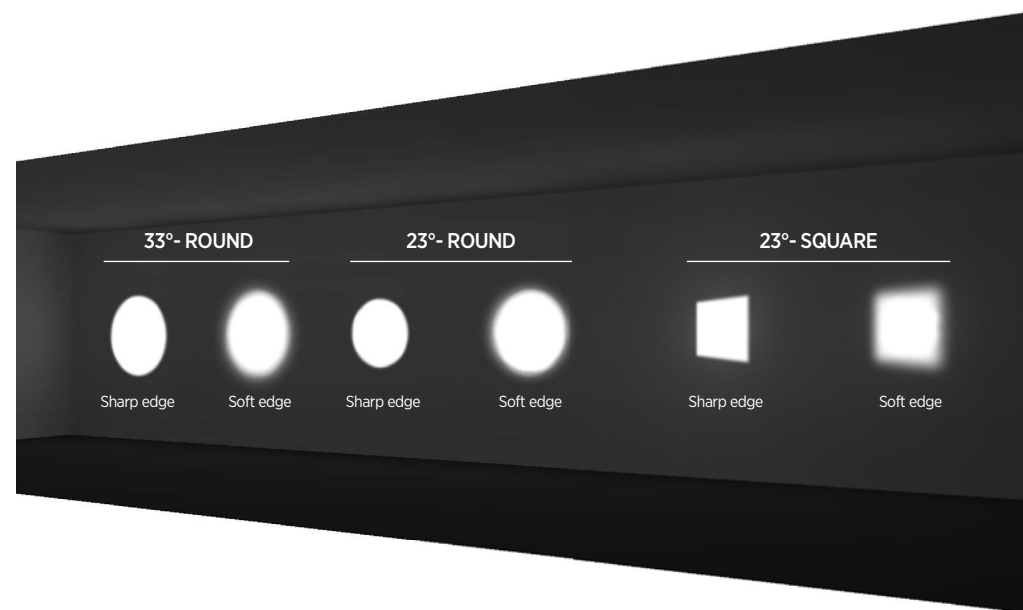


## FALSE COLOR & GRAYSCALE

### False color Snoot Frame



### Grayscale Snoot Frame



# SPECTER STANDARD MODULES

## Gobo Snoot



GOBO SNOOT

- Diameter 35mm
- Equipped with a zoom and focus lens as well as framing shutters
- Fixtures designed to mount in SPECTER track
- Available in 2 standard finishes: Black and white
- Gobo Lens Available as an ad-on Accessory

Notes: <sup>1</sup> Available dimming ELV 0-10V and DALI

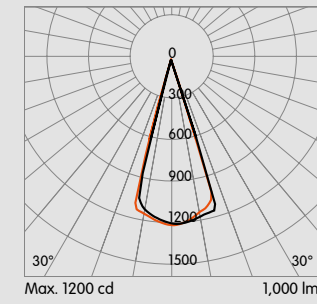
### OPTICAL FLEXIBILITY

Per Millimeter

Photometric data: Type C Polar Curves

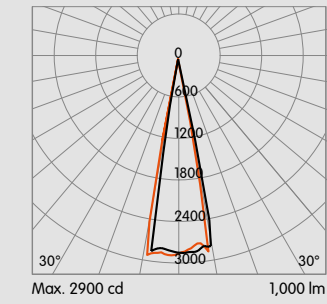
#### SOFT EDGE BEAM

35° Beam Angle



#### SHARP EDGE BEAM

20° Beam Angle



GOBO SNOOT

Code example: **SPSF-R-15W-Z927-2**

Series	Length	Body Finish	Beam Angle	CRI	Color Temp	Circuit			
<b>SPSF-R</b>	15	35mm	Z 20° - 35°	9	+90	27	2700K	1	1-Circuit
							3000K	2	2-Circuit
							3500K		
							4000K		

#### STANDARD FINISHES

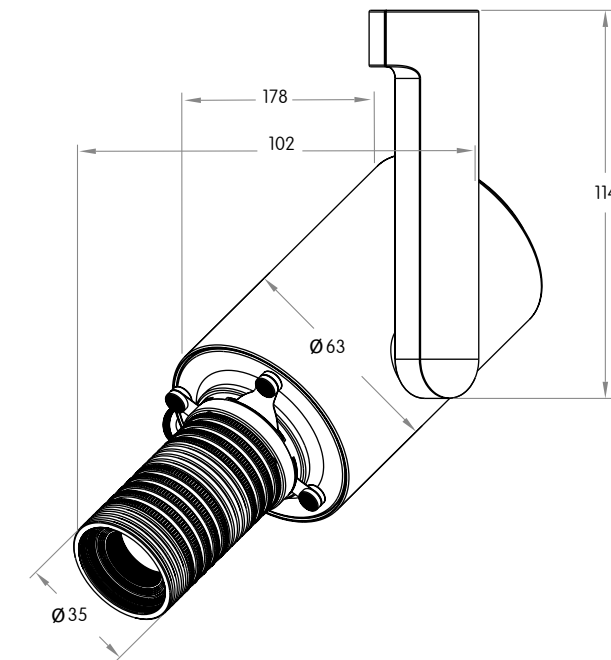


W

B

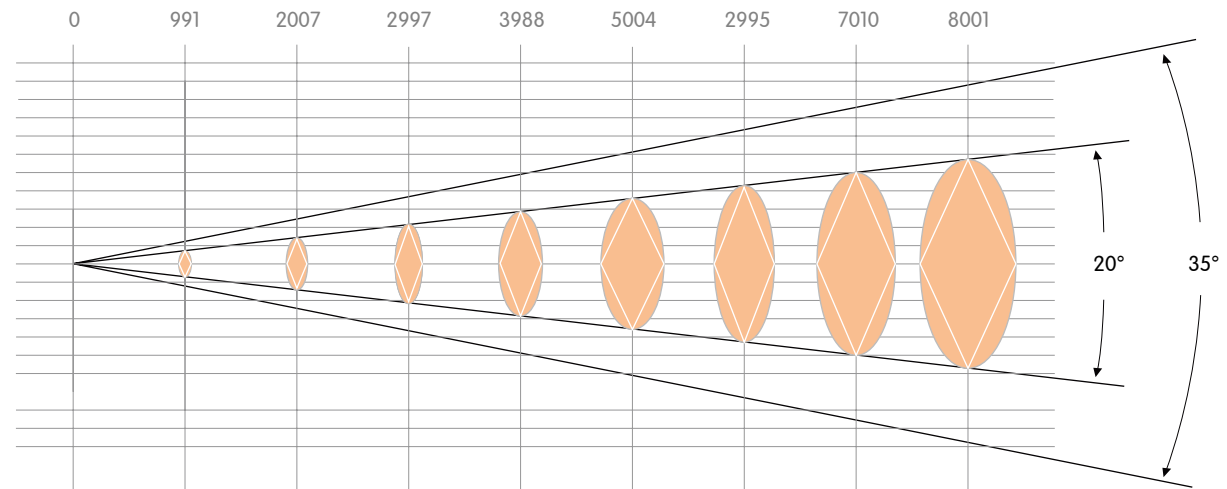
#### DELIVERED LUMEN OUTPUT

Length	Watts	CRI +90			
		2700K	3000K	3500K	4000K
35mm	15W	330lm	350lm	370lm	390lm



**PROJECTION DISTANCE**  
Per Millimeter

Projection Gobo Snoot



20° Circular spot diameter (mm)	0	Ø355	Ø737	Ø1092	Ø1473	Ø1829	Ø2184	Ø2565	Ø2921
35° Circular spot diameter (mm)	0	Ø556	Ø1143	Ø1727	Ø2311	Ø2896	Ø3780	Ø4039	Ø4623



190 TC Jester Blvd.  
Houston, TX  
Lighting Design: Gensler



## **SPECTER** MODULES

Linear Mini

# SPECTER MINI MODULES

## Break Opal



BREAK LINE

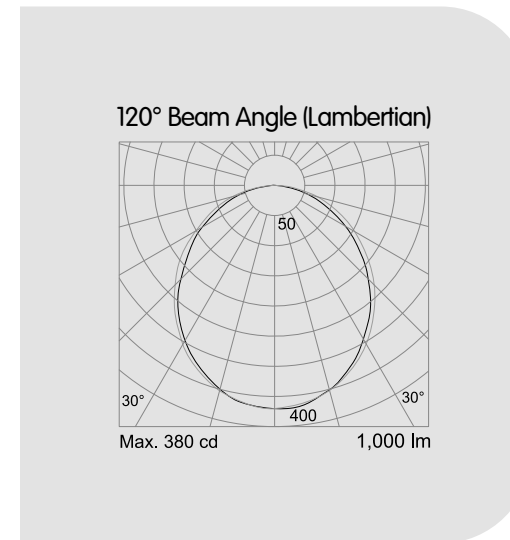
- Up to 841lm delivered output
- Available in 2 sizes, 100mm and 196mm
- Available in Opal lens
- Fixtures designed to mount in SPECTER track
- Available in 4 standard finishes: Black, white, silver and bronze

Notes: <sup>1</sup> Available dimming 0-10V and DALI

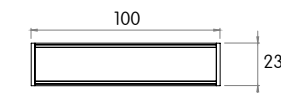
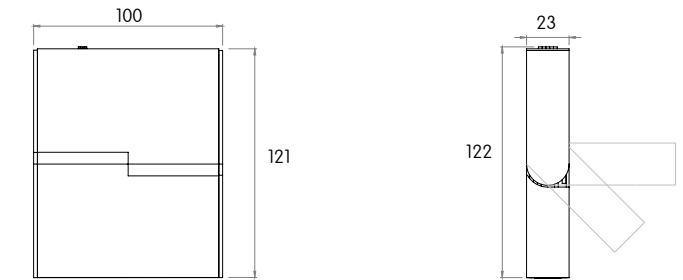
### OPTICAL FLEXIBILITY

Per Millimeter

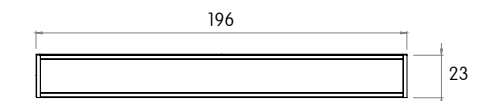
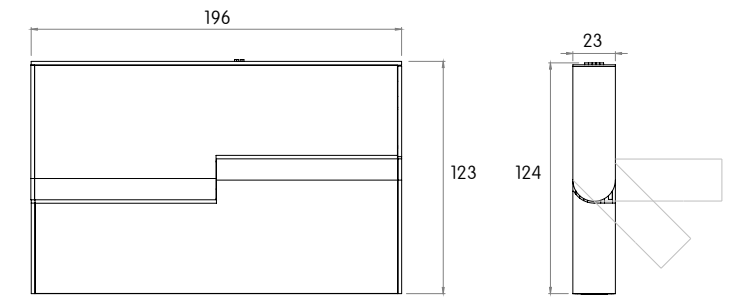
Photometric data:  
Type C Polar Curves



BREAK LINE 4



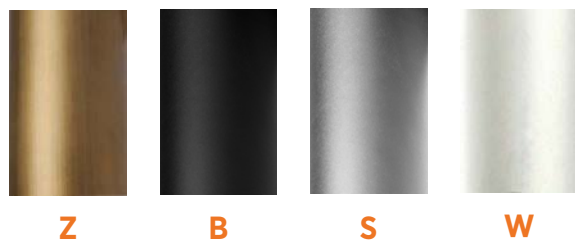
BREAK LINE 8



Code example: **SPSM-J04W-L927-2**

Series	Length	Body Finish	Beam Angle	CRI	Color Temp	Circuit		
<b>SPSM-J</b>	<b>04</b>	100mm	<b>L</b> 120°	<b>9</b> +90	<b>27</b> 2700K	<b>1</b> 1-Circuit		
	<b>08</b>	196mm			<b>B</b> Black		<b>30</b> 3000K	<b>2</b> 2-Circuit
					<b>S</b> Silver		<b>35</b> 3500K	
					<b>Z</b> Bronze		<b>40</b> 4000K	
					<b>X</b> Custom			

### STANDARD FINISHES

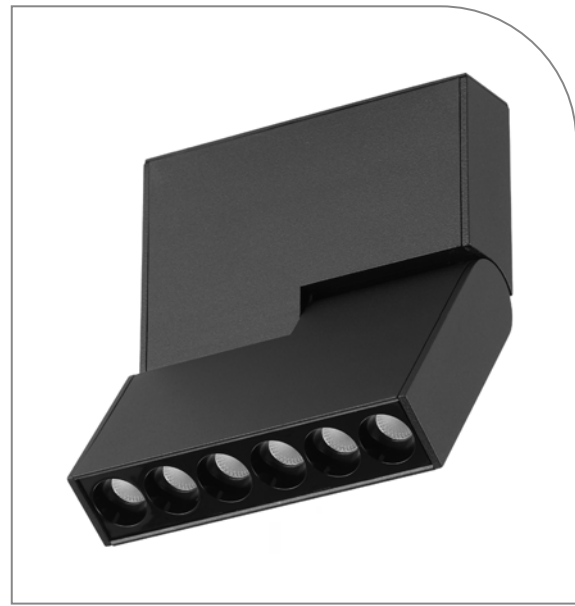


### DELIVERED LUMEN OUTPUT

Length	Watts	CRI +90			
		2700K	3000K	3500K	4000K
100mm	8W	279lm	310lm	341lm	375lm
196mm	16W	626lm	695lm	765lm	841lm

# SPECTER MINI MODULES

## Break Dot



BREAK DOT

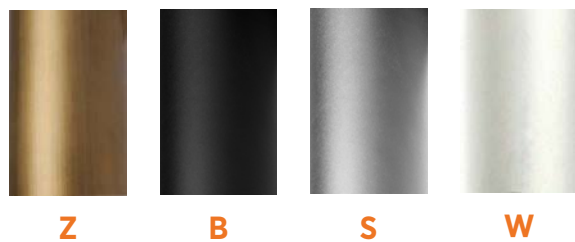
- Up to 1373lm delivered output
- Available in 2 sizes, 100mm and 196mm
- Available in Low glare baffles
- Fixtures designed to mount in SPECTER track
- Available in 4 standard finishes: Black, white, silver and bronze
- Standard black baffles, custom colors are available upon request. Consult factory for added cost and lead-times

Notes: <sup>1</sup> Available dimming 0-10V and DALI

Code example: **SPSM-B04W-B-N927-2**

Series	Length	Body Finish	Baffle Finish	Beam Angle	CRI	Color Temp	Circuit							
<b>SPSM-B</b>	<b>04</b>	100mm	<b>W</b>	White	<b>B</b>	Black	<b>N</b>	10°	<b>9</b>	+90	<b>27</b>	2700K	<b>1</b>	1-Circuit
	<b>08</b>	196mm	<b>B</b>	Black	<b>X</b>	Custom	<b>M</b>	25°			<b>30</b>	3000K	<b>2</b>	2-Circuit
			<b>S</b>	Silver			<b>F</b>	35°			<b>35</b>	3500K		
			<b>Z</b>	Bronze							<b>40</b>	4000K		
			<b>X</b>	Custom										

### STANDARD FINISHES



### DELIVERED LUMEN OUTPUT

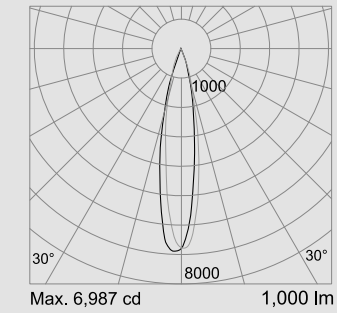
Length	Watts	CRI +90			
		2700K	3000K	3500K	4000K
100mm	8W	606lm	673lm	740lm	814lm
196mm	16W	1022lm	1135m	1249lm	1373lm

### OPTICAL FLEXIBILITY

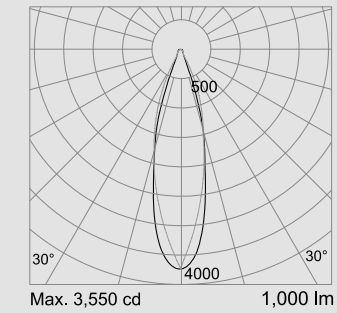
Per Millimeter

Photometric data:  
Type C Polar Curves

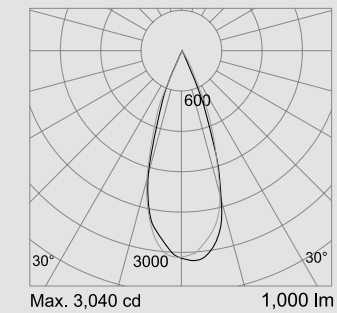
#### 15° Beam Angle



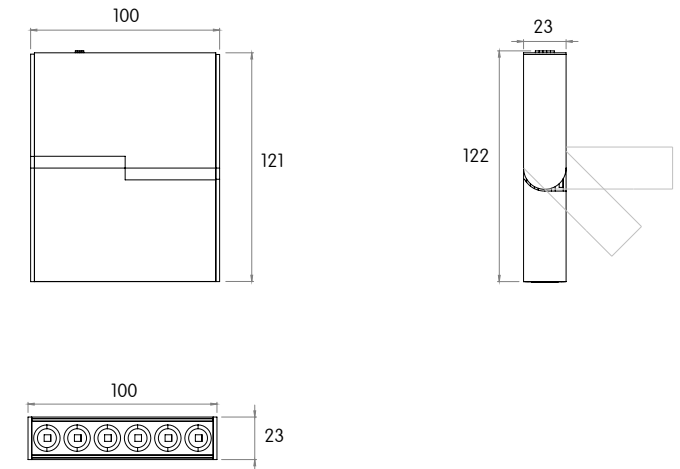
#### 25° Beam Angle



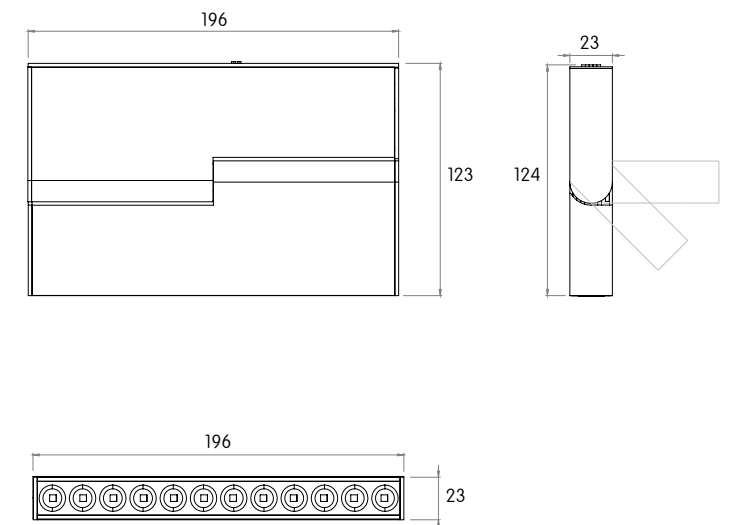
#### 35° Beam Angle



### BREAK DOT 4

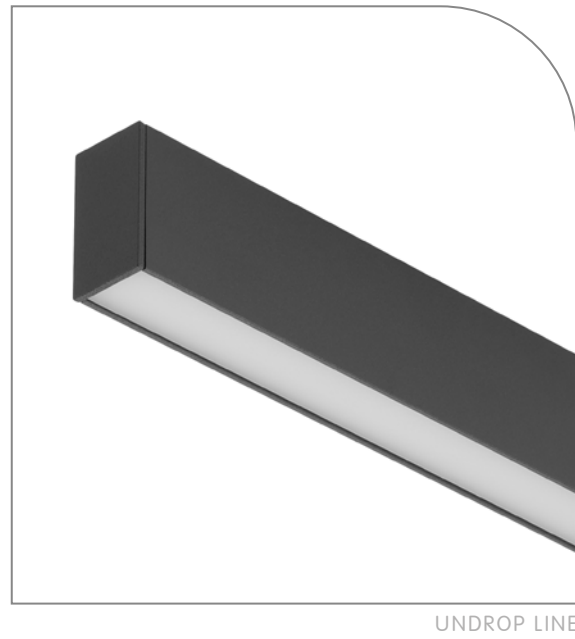


### BREAK DOT 8



# SPECTER MINI MODULES

## Undrop Opal



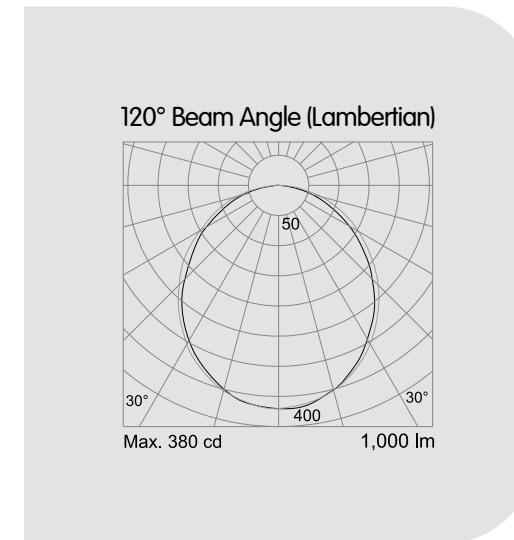
- Up to 1476lm delivered output
- Available in various length from 100mm to 780mm sections
- Available in Opal lens
- Fixtures designed to mount in SPECTER track
- Available in 4 standard finishes: Black, white, silver and bronze

Notes: <sup>1</sup> Available dimming 0-10V and DALI

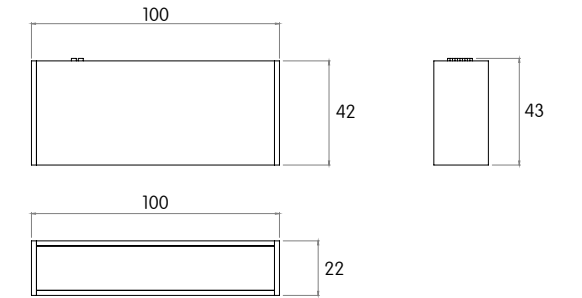
### OPTICAL FLEXIBILITY

Per Millimeter

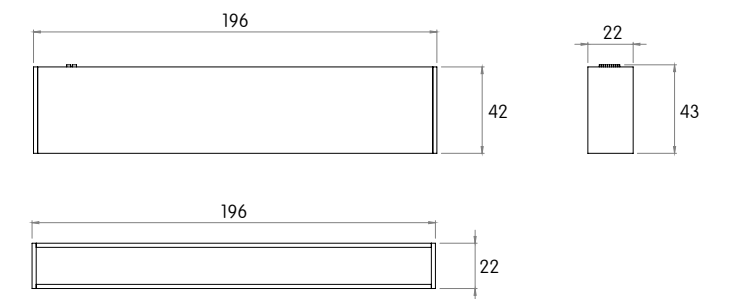
#### Photometric data: Type C Polar Curves



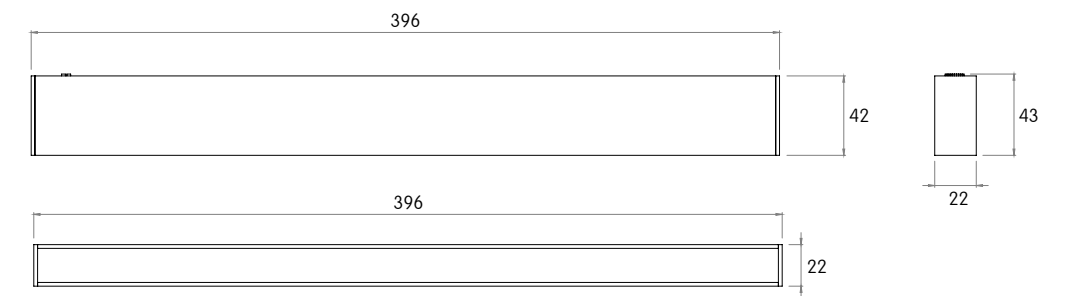
#### UNDROP LINE 4



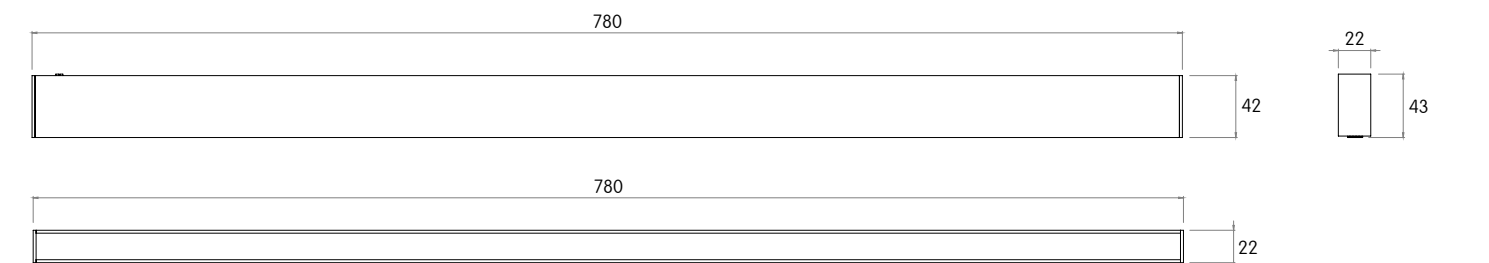
#### UNDROP LINE 8



#### UNDROP LINE 15



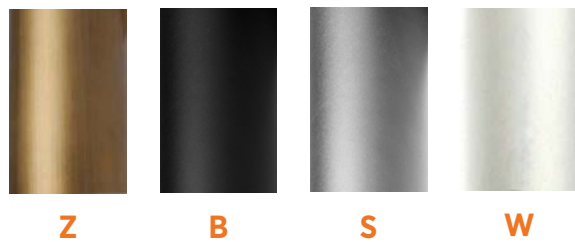
#### UNDROP LINE 30



Code example: **SPSM-O04W-L927-2**

Series	Length	Body Finish	Beam Angle	CRI	Color Temp	Circuit	
<b>SPSM-O</b>	<b>04</b>	100mm	<b>W</b> White	<b>L</b> 120°	<b>9</b> +90	<b>27</b> 2700K	<b>1</b> 1-Circuit
	<b>08</b>	196mm	<b>B</b> Black			<b>30</b> 3000K	<b>2</b> 2-Circuit
	<b>15</b>	396mm	<b>S</b> Silver			<b>35</b> 3500K	
	<b>30</b>	780mm	<b>Z</b> Bronze			<b>40</b> 4000K	
		<b>X</b> Custom					

#### STANDARD FINISHES



#### DELIVERED LUMEN OUTPUT

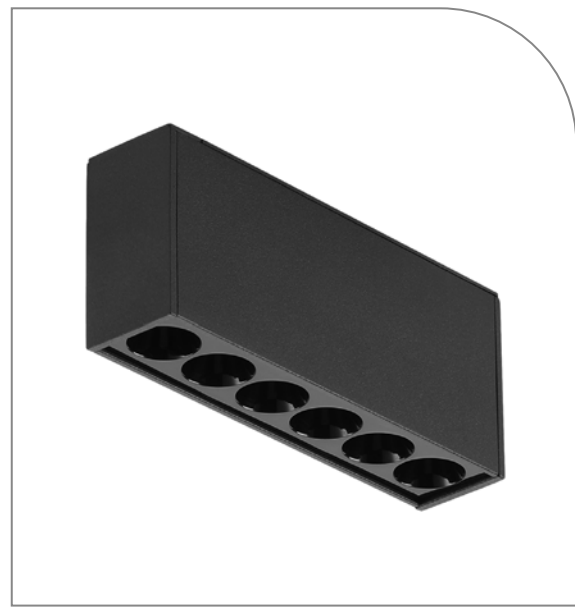
Length	Watts	CRI +90			
		2700K	3000K	3500K	4000K
100mm	4W	135lm	150lm	165lm	182lm
196mm	8W	326lm	362lm	398lm	438lm
396mm	15W	578lm	642lm	706lm	777lm
780mm	30W	1098lm	1220lm	1342lm	1476lm



190 TC Jester Blvd.  
Houston, TX  
Lighting Design: Gensler

# SPECTER MINI MODULES

## Undrop Dot



UNDROP DOT

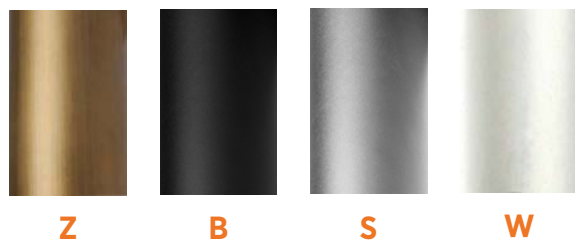
- Up to 2340lm delivered output
- Available in 3 standard lengths 100mm, 196mm, 388mm. (Consult factory for longer sections)
- Available in Low glare baffles
- Fixtures designed to mount in SPECTER track
- Available in 4 standard finishes: Black, white, silver and bronze
- Standard black baffles, custom colors are available upon request. Consult factory for added cost and lead-times

Notes: <sup>1</sup> Available dimming 0-10V and DALI

Code example: **SPSM-U04W-B-N927-2**

Series	Length	Body Finish	Baffle Finish	Beam Angle	CRI	Color Temp	Circuit		
<b>SPSM-U</b>	<b>04</b>	100mm	<b>W</b> White	<b>B</b> Black	<b>9</b> +90	<b>27</b> 2700K	<b>1</b> 1-Circuit		
		196mm	<b>B</b> Black	<b>X</b> Custom		<b>30</b> 3000K			
		388mm	<b>S</b> Silver			<b>35</b> 3500K			
	<b>08</b>	196mm	<b>Z</b> Bronze		<b>M</b> 25°	<b>30</b> 3000K	<b>2</b> 2-Circuit		
			<b>X</b> Custom						
								<b>F</b> 35°	<b>40</b> 4000K
			<b>15</b>	388mm					

### STANDARD FINISHES



### DELIVERED LUMEN OUTPUT

Length	Watts	CRI +90			
		2700K	3000K	3500K	4000K
100mm	6W	469lm	521lm	573lm	630lm
196mm	12W	936lm	1040lm	1144lm	1258lm
388mm	24W	1741lm	1934lm	2127lm	2340lm

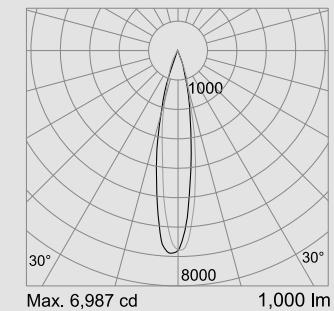
### OPTICAL FLEXIBILITY

Per Millimeter

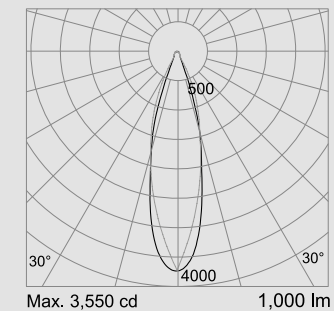
### Photometric data:

Type C Polar Curves

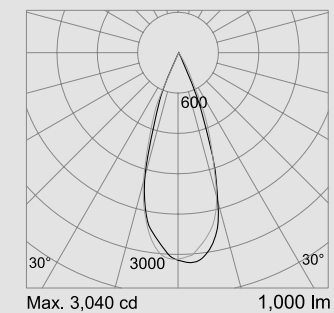
#### 10° Beam Angle



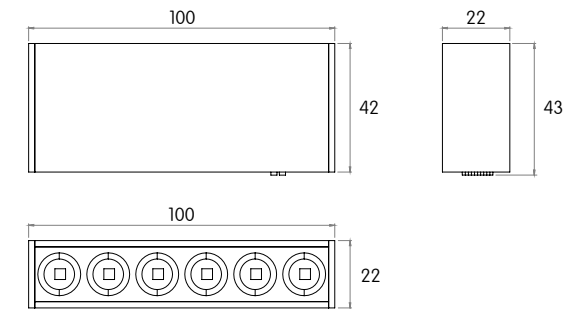
#### 25° Beam Angle



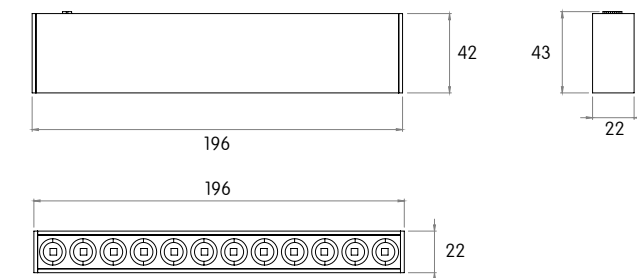
#### 35° Beam Angle



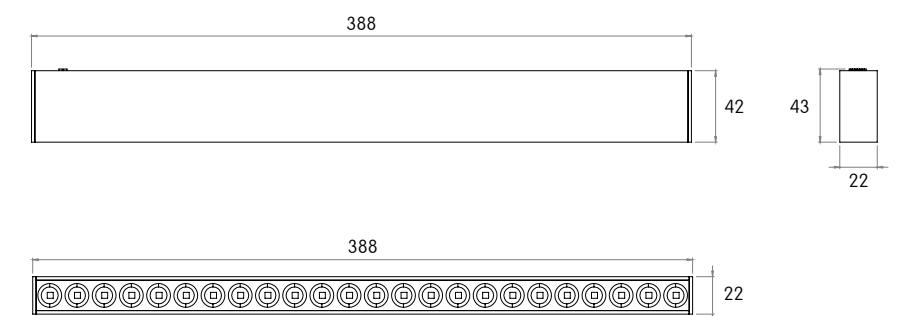
### UNDROP DOT 4



### UNDROP DOT 8



### UNDROP DOT 15



# SPECTER MINI MODULES

## Undrop Washer



UNDROP WASHER

- Up to 1375lm delivered output
- Available in 2 standard lengths 193mm, 290mm
- Available in wallwash optic
- Fixtures designed to mount in SPECTER track
- Available in 4 standard finishes: Black, white, silver and bronze
- Standard black baffles, custom colors are available upon request. Consult factory for added cost and lead-times
- Set back of 1/5 of the wall height

Notes: <sup>1</sup> Available dimming 0-10V and DALI

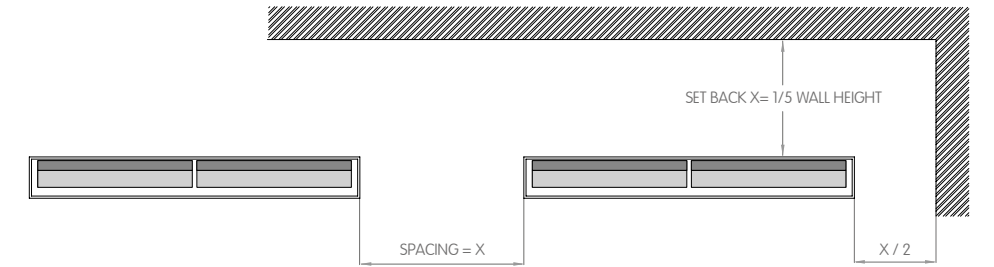
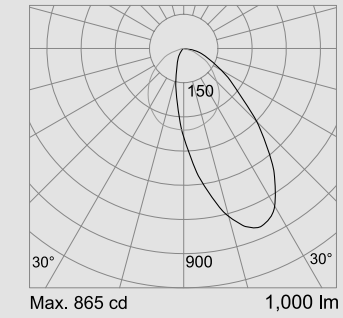
### OPTICAL FLEXIBILITY

Per Millimeter

### Photometric data:

Type C Polar Curves

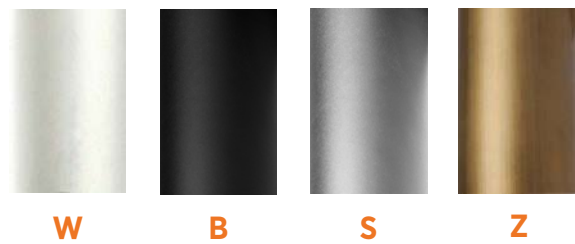
#### Wallwash Beam



Code example: **SPSM-W06W-B-W927-2**

Series	Length	Body Finish	Baffle Finish	Beam Angle	CRI	Color Temp	Circuit
<b>SPSM-W</b>	08 193mm	W White	B Black	W Wallwash	9 +90	27 2700K	1 1-Circuit
	12 290mm	B Black	X Custom			30 3000K	2 2-Circuit
		S Silver				35 3500K	
		Z Bronze				40 4000K	
		X Custom					

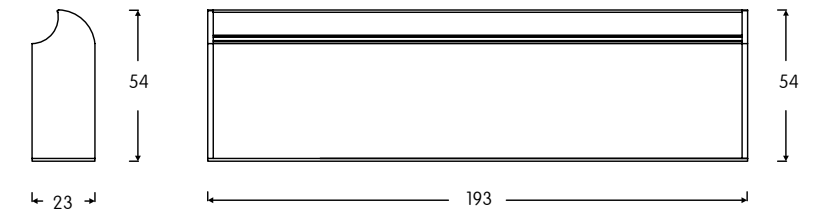
#### STANDARD FINISHES



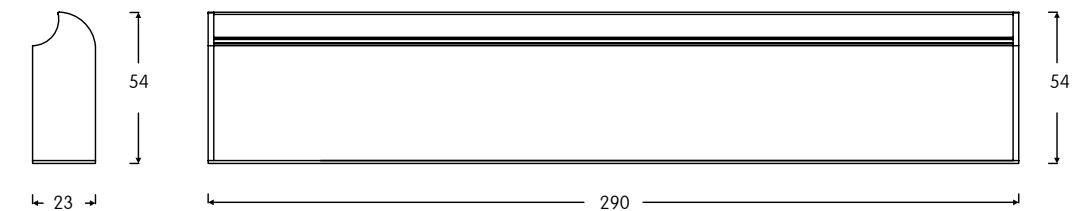
#### DELIVERED LUMEN OUTPUT

Length	Watts	CRI +90			
		2700K	3000K	3500K	4000K
193mm	8W	675lm	750lm	820lm	900lm
290mm	16W	1025lm	1140lm	1250lm	1375lm

#### UNDROP WASHER 8



#### UNDROP WASHER 12



# SPECTER MINI MODULES

## Snoot 0



SNOOT 0

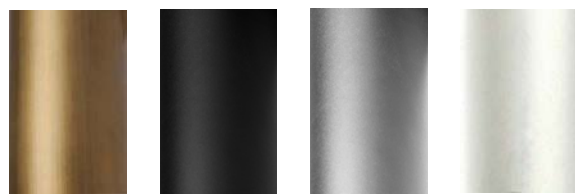
- Up to 580lm delivered output
- Various optical accessories available such as beam shaping lenses and Honeycomb louvers
- Beam options, narrow, medium, flood and wide
- Fixtures designed to mount in SPECTER track
- Available in 4 standard finishes: Black, white, silver and bronze
- Standard black baffles, custom colors are available upon request. Consult factory for added cost and lead-times

Notes: <sup>1</sup> Available dimming 0-10V and DALI

Code example: **SPMS-S15W-B-N927-2**

Series	Length	Body Finish	Baffle Finish	Beam Angle	CRI	Color Temp	Circuit
<b>SPMS-S</b>	15 35mm	<b>W</b> White	<b>B</b> Black	<b>N</b> 10°	<b>9</b> +90	<b>27</b> 2700K	<b>1</b> 1-Circuit
		<b>B</b> Black	<b>X</b> Custom	<b>M</b> 25°		<b>30</b> 3000K	<b>2</b> 2-Circuit
		<b>S</b> Silver		<b>F</b> 35°		<b>35</b> 3500K	
		<b>Z</b> Bronze		<b>H</b> 50°		<b>40</b> 4000K	
		<b>X</b> Custom					

### STANDARD FINISHES



Z

B

S

W

### DELIVERED LUMEN OUTPUT

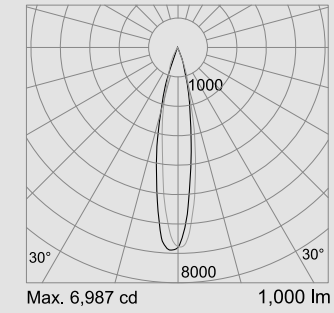
Length	Watts	CRI +90			
		2700K	3000K	3500K	4000K
35mm	5W	431lm	479lm	527lm	580lm

### OPTICAL FLEXIBILITY

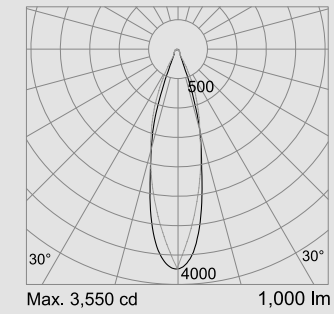
Per Millimeter

### Photometric data: Type C Polar Curves

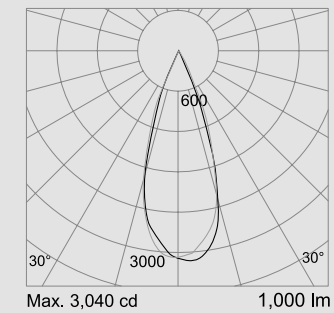
#### 10° Beam Angle



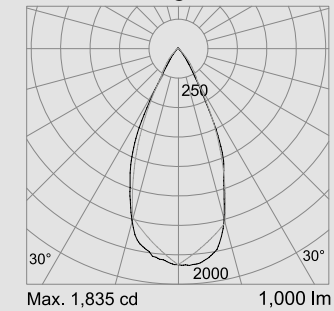
#### 25° Beam Angle



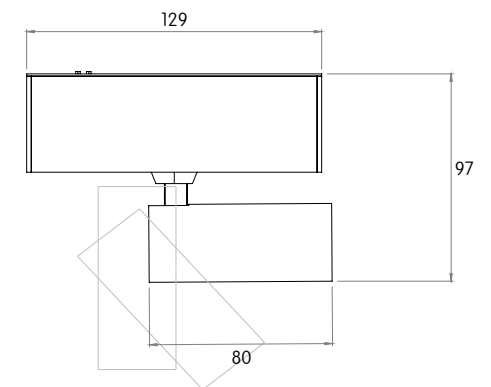
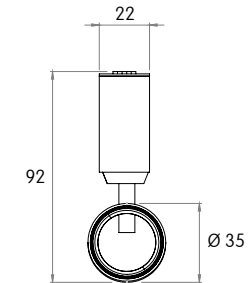
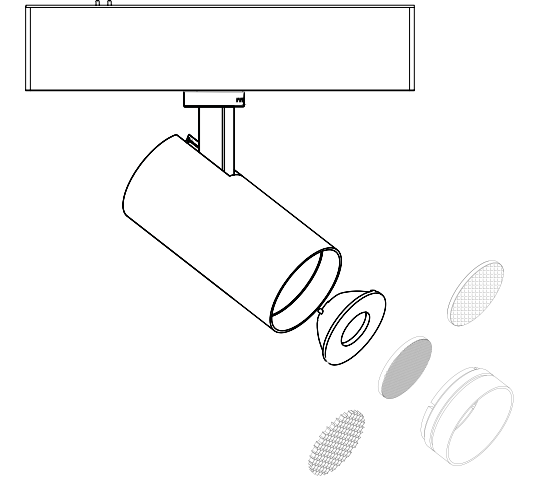
#### 35° Beam Angle



#### 50° Beam Angle

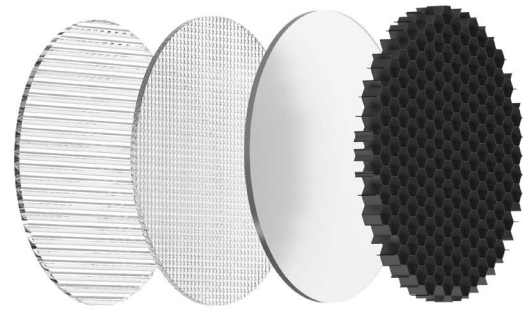


SNOOT 0



OPTICAL ACCESSORIES

Lenses and anti-glare devices



**E:** Elliptical Lens  
**S:** Solite Lens  
**D:** Diffuse Lens  
**H:** Honeycomb Lenses

Fits model # / Size		Beam		Finish	
Snoot 0 Pendant	Diameter 35mm	E	Elliptical	—	None
		S	Solite	BL	Flat Black
		D	Diffuse	SL	Silver
		H	Honeycomb	WH	White

Beam distribution and combination



10°+ Diffuse lens

25°+ Diffuse lens

50°+ Diffuse lens



10°+ Elliptical spread lens (10x60)

25°+ Elliptical spread lens (10x60)

35°+ Elliptical spread lens (10x60)

# SPECTER MINI MODULES

## Snoot 1



SNOOT 1

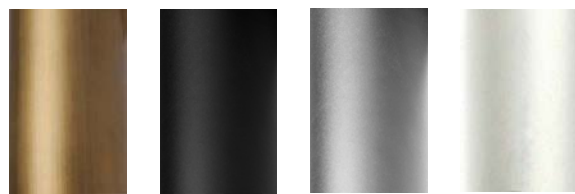
- Up to 851lm delivered output
- Various optical accessories available such as beam shaping lenses and Honeycomb louvers
- Beam options, narrow, medium, flood and wide
- Fixtures designed to mount in SPECTER track
- Available in 4 standard finishes: Black, white, silver and bronze
- Standard black baffles, custom colors are available upon request. Consult factory for added cost and lead-times

Notes: <sup>1</sup> Available dimming 0-10V and DALI

Code example: **SPMS-S20W-B-N927-2**

Series	Length		Body Finish		Baffle Finish		Beam Angle		CRI		Color Temp		Circuit	
<b>SPMS-S</b>	20	51mm	<b>W</b>	White	<b>B</b>	Black	<b>N</b>	10°	<b>9</b>	+90	<b>27</b>	2700K	<b>1</b>	1-Circuit
			<b>B</b>	Black	<b>X</b>	Custom	<b>M</b>	25°	<b>30</b>	3000K	<b>2</b>	2-Circuit		
			<b>S</b>	Silver			<b>F</b>	35°	<b>35</b>	3500K				
			<b>Z</b>	Bronze			<b>H</b>	50°	<b>40</b>	4000K				
			<b>X</b>	Custom										

### STANDARD FINISHES



Z

B

S

W

### DELIVERED LUMEN OUTPUT

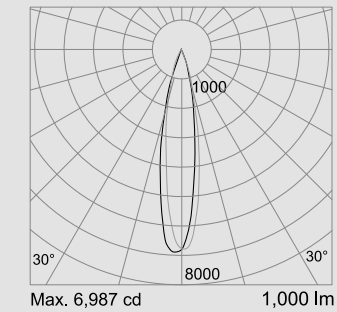
Length	Watts	CRI +90			
		2700K	3000K	3500K	4000K
51mm	10W	633lm	703lm	773lm	851lm

### OPTICAL FLEXIBILITY

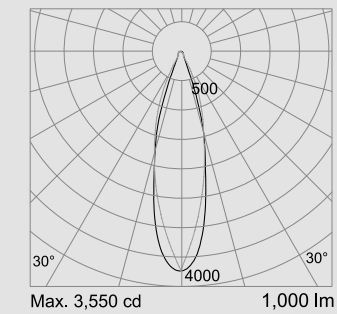
Per Millimeter

### Photometric data: Type C Polar Curves

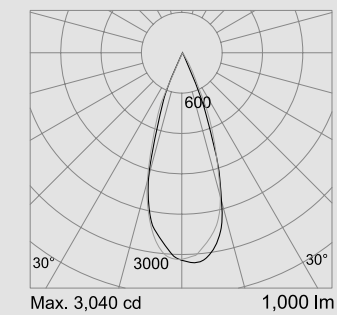
#### 10° Beam Angle



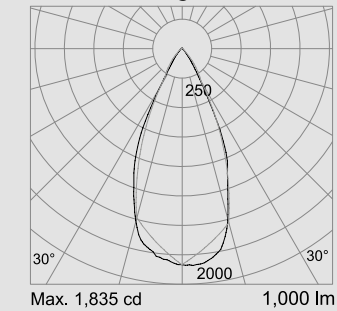
#### 25° Beam Angle



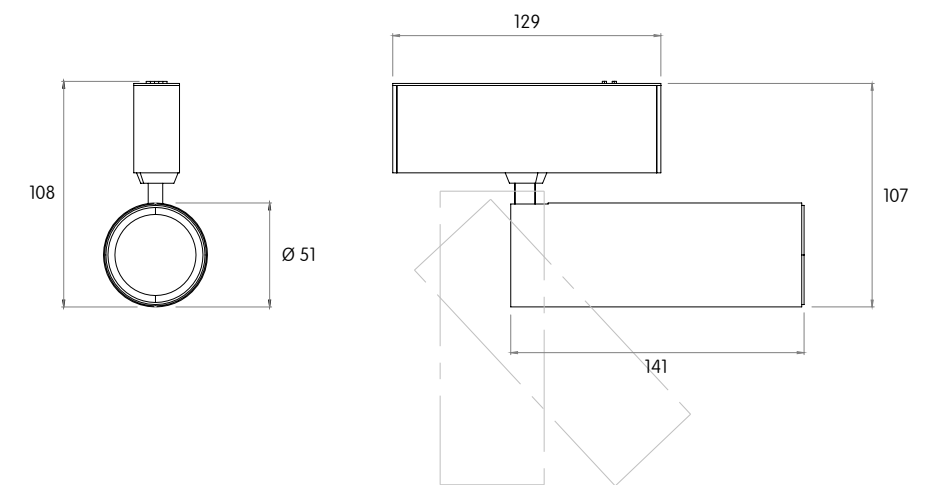
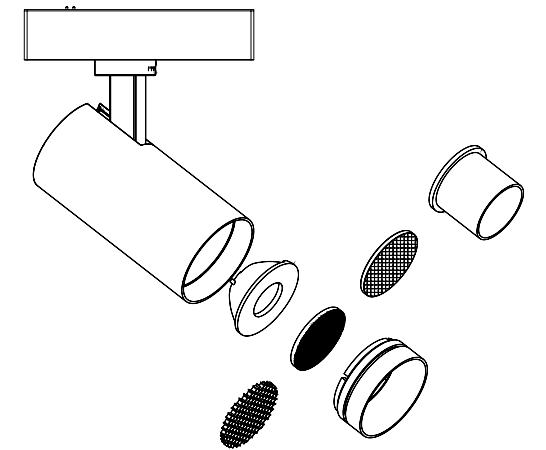
#### 35° Beam Angle



#### 50° Beam Angle

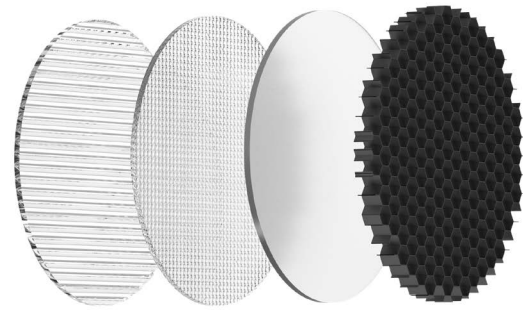


### SNOOT 1



OPTICAL ACCESSORIES

Lenses and anti-glare devices



**E:** Elliptical Lens  
**S:** Solite Lens  
**D:** Diffuse Lens  
**H:** Honeycomb Lenses

Fits model # / Size		Beam		Finish	
Snoot 0 Pendant	Diameter 51mm	E	Elliptical	—	None
		S	Solite	BL	Flat Black
		D	Diffuse	SL	Silver
		H	Honeycomb	WH	White

Beam distribution and combination



10°+ Diffuse lens

25°+ Diffuse lens

50°+ Diffuse lens



10°+ Elliptical spread lens (10x60)

25°+ Elliptical spread lens (10x60)

35°+ Elliptical spread lens (10x60)

# SPECTER MINI MODULES

## Snoot 2



SNOOT 2

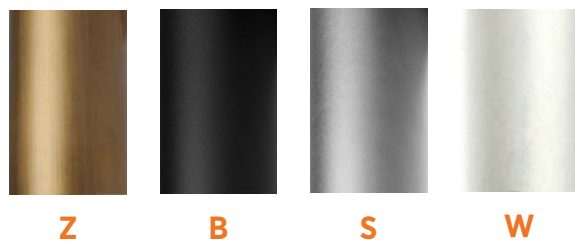
- Up to 1961lm delivered output
- Various optical accessories available such as beam shaping lenses and Honeycomb louvers
- Beam options, narrow, medium, flood and wide
- Fixtures designed to mount in SPECTER track
- Available in 4 standard finishes: Black, white, silver and bronze
- Standard black baffles, custom colors are available upon request. Consult factory for added cost and lead-times

Notes: <sup>1</sup> Available dimming 0-10V and DALI

Code example: **SPMS-S28W-B-N927-2**

Series	Length	Body Finish	Baffle Finish	Beam Angle	CRI	Color Temp	Circuit	
<b>SPMS-S</b>	28	71mm	<b>W</b> White	<b>B</b> Black	<b>N</b> 10°	<b>9</b> +90	<b>27</b> 2700K	<b>1</b> 1-Circuit
			<b>B</b> Black	<b>X</b> Custom	<b>M</b> 25°		<b>30</b> 3000K	<b>2</b> 2-Circuit
			<b>S</b> Silver		<b>F</b> 35°		<b>35</b> 3500K	
			<b>Z</b> Bronze		<b>H</b> 50°		<b>40</b> 4000K	
			<b>X</b> Custom					

### STANDARD FINISHES



### DELIVERED LUMEN OUTPUT

Length	Watts	CRI +90			
		2700K	3000K	3500K	4000K
71mm	20W	1459lm	1621lm	1783lm	1961lm

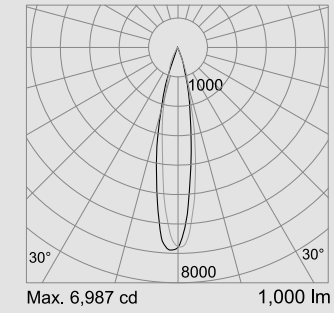
### OPTICAL FLEXIBILITY

Per Millimeter

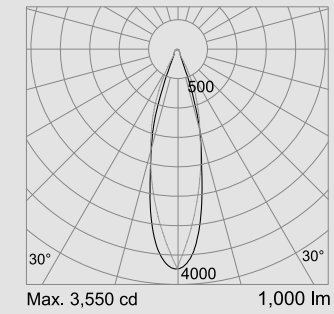
### Photometric data:

#### Type C Polar Curves

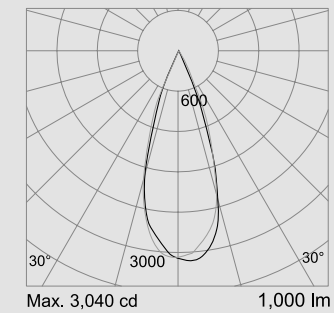
#### 10° Beam Angle



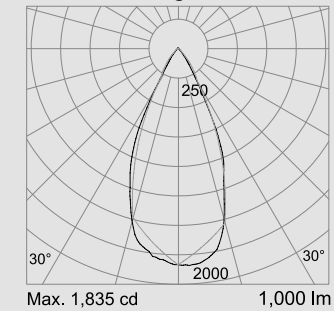
#### 25° Beam Angle



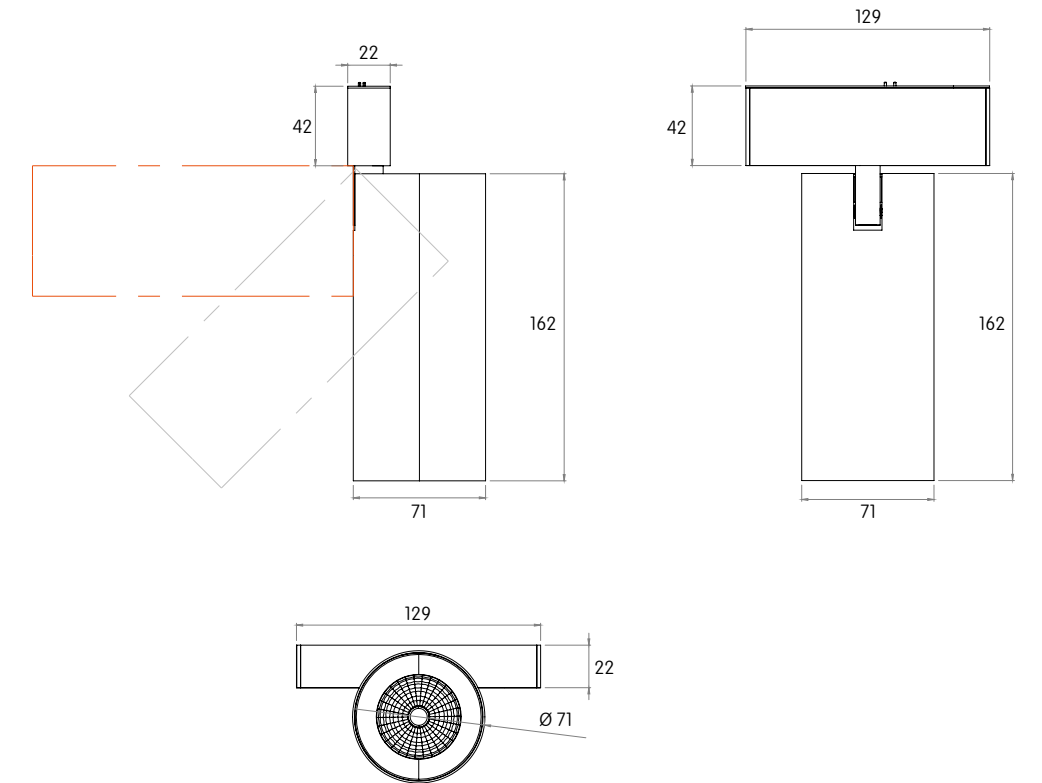
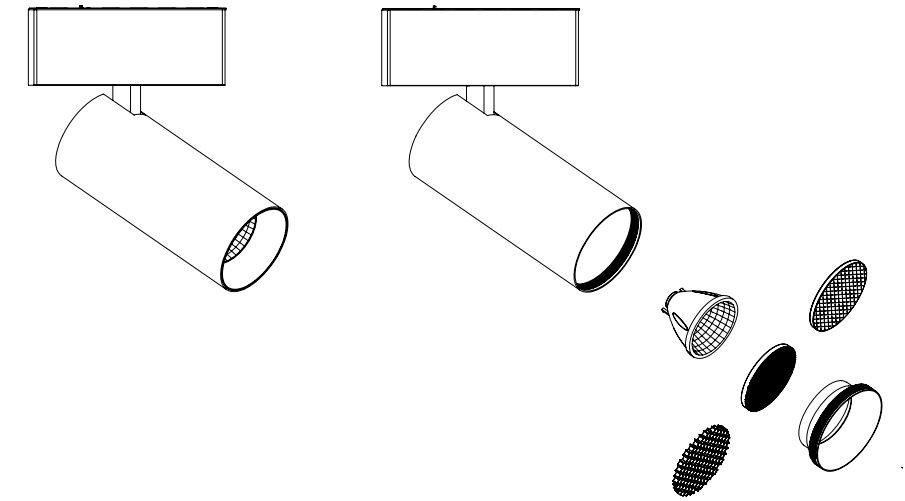
#### 35° Beam Angle



#### 50° Beam Angle

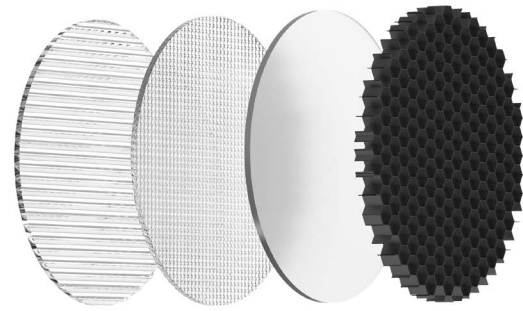


### SNOOT 2



OPTICAL ACCESSORIES

Lenses and anti-glare devices



**E:** Elliptical Lens  
**S:** Solite Lens  
**D:** Diffuse Lens  
**H:** Honeycomb Lenses

Fits model # / Size		Beam		Finish	
Snoot 0 Pendant	Diameter 71mm	E	Elliptical	—	None
		S	Solite	BL	Flat Black
		D	Diffuse	SL	Silver
		H	Honeycomb	WH	White

Beam distribution and combination



10°+ Diffuse lens

25°+ Diffuse lens

50°+ Diffuse lens



10°+ Elliptical spread lens (10x60)

25°+ Elliptical spread lens (10x60)

35°+ Elliptical spread lens (10x60)

# SPECTER MINI MODULES

## Snoot 0 Pendant



SNOOT 0 PENDANT

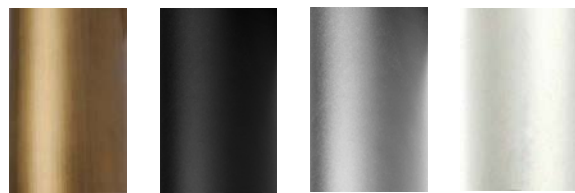
- Up to 580lm delivered output
- Various optical accessories available such as beam shaping lenses and Honeycomb louvers
- Beam options, narrow, medium, flood and wide
- Fixtures designed to mount in SPECTER track
- Available in 4 standard finishes: Black, white, silver and bronze
- Standard black baffles, custom colors are available upon request. Consult factory for added cost and lead-times

Notes: <sup>1</sup> Available dimming 0-10V and DALI

Code example: **SPMS-P15W-B-N927-2**

Series	Length	Body Finish	Baffle Finish	Beam Angle	CRI	Color Temp	Circuit	
<b>SPMS-P</b>	15	35mm	<b>W</b> White	<b>B</b> Black	<b>N</b> 10°	<b>9</b> +90	<b>27</b> 2700K	<b>1</b> 1-Circuit
			<b>B</b> Black	<b>X</b> Custom	<b>M</b> 25°		<b>30</b> 3000K	<b>2</b> 2-Circuit
			<b>S</b> Silver		<b>F</b> 35°		<b>35</b> 3500K	
			<b>Z</b> Bronze		<b>H</b> 50°		<b>40</b> 4000K	
			<b>X</b> Custom					

### STANDARD FINISHES



**Z B S W**

### DELIVERED LUMEN OUTPUT

Length	Watts	CRI +90			
		2700K	3000K	3500K	4000K
35mm	5W	431lm	479lm	527lm	580lm

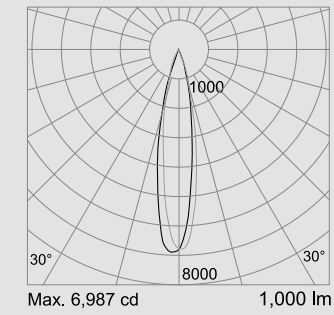
### OPTICAL FLEXIBILITY

Per Millimeter

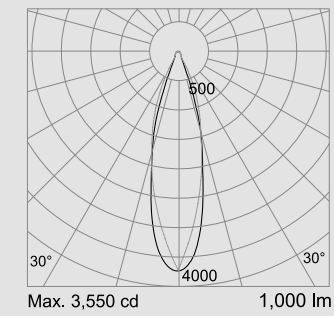
### Photometric data:

Type C Polar Curves

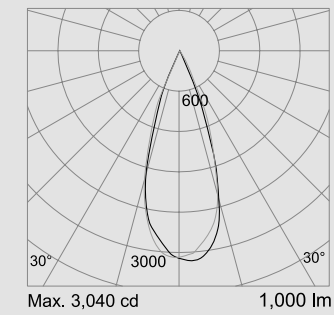
#### 10° Beam Angle



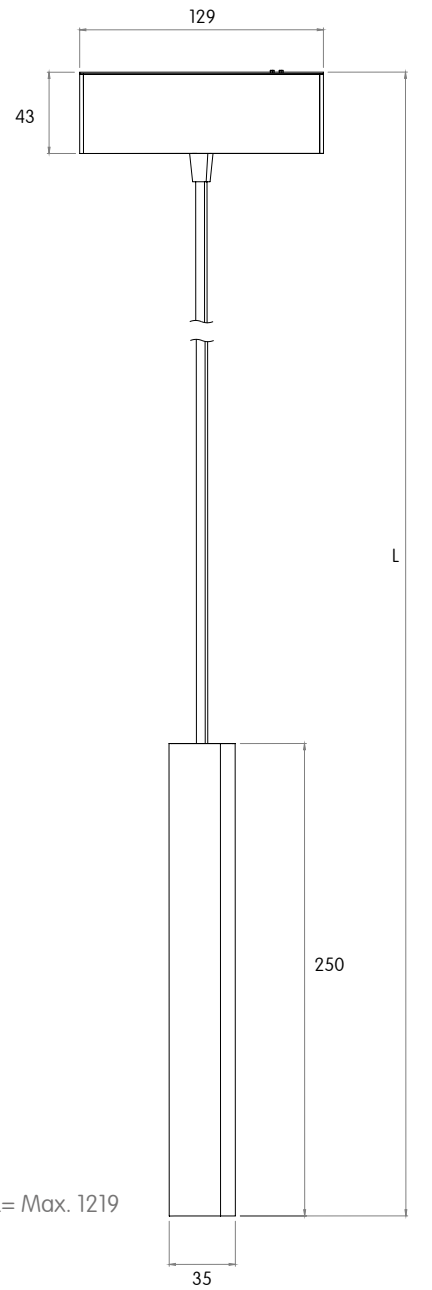
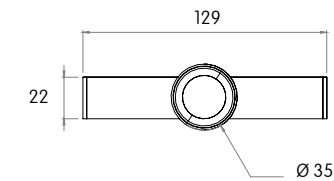
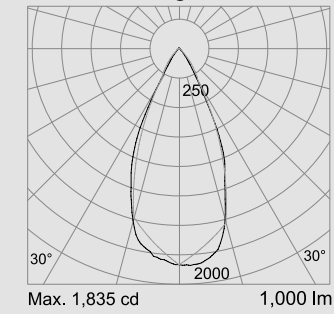
#### 25° Beam Angle



#### 35° Beam Angle



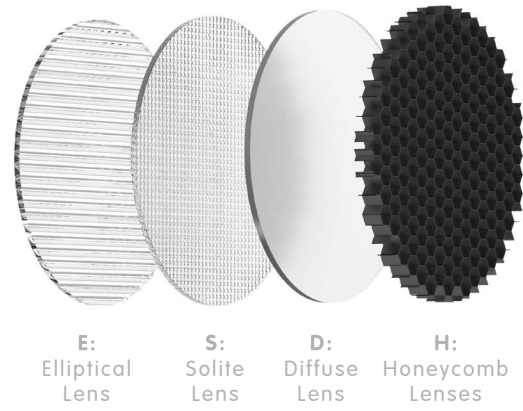
#### 50° Beam Angle



SNOOT 0 PENDANT

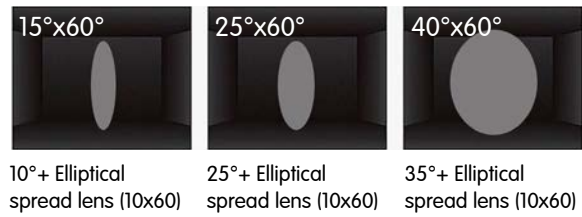
OPTICAL ACCESSORIES

Lenses and anti-glare devices



Fits model # / Size		Beam		Finish	
Snoot 0 Pendant	Diameter 35mm	E	Elliptical	—	None
		S	Solite	BL	Flat Black
		D	Diffuse	SL	Silver
		H	Honeycomb	WH	White

Beam distribution and combination



190 TC Jester Blvd.  
Houston, TX  
Lighting Design: Gensler

# SPECTER MINI MODULES

## Snoot 1 Pendant



SNOOT 1 PENDANT

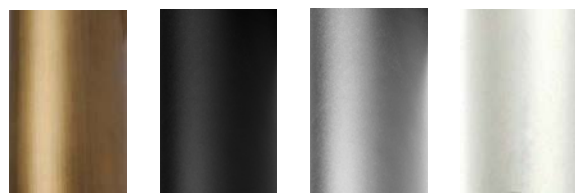
- Up to 851lm delivered output
- Various optical accessories available such as beam shaping lenses and Honeycomb louvers
- Beam options, narrow, medium, flood and wide
- Fixtures designed to mount in SPECTER track
- Available in 4 standard finishes: Black, white, silver and bronze
- Standard black baffles, custom colors are available upon request. Consult factory for added cost and lead-times

Notes: <sup>1</sup> Available dimming 0-10V and DALI

Code example: **SPMS-P20W-B-N927-2**

Series	Length		Body Finish		Baffle Finish		Beam Angle		CRI		Color Temp		Circuit			
<b>SPMS-P</b>	20	51mm	<b>W</b>	White	<b>B</b>	Black	<b>N</b>	10°	<b>9</b>	+90	<b>27</b>	2700K	<b>1</b>	1-Circuit		
			<b>B</b>	Black	<b>X</b>	Custom	<b>M</b>	25°			<b>30</b>	3000K			<b>2</b>	2-Circuit
			<b>S</b>	Silver			<b>F</b>	35°			<b>35</b>	3500K				
			<b>Z</b>	Bronze			<b>H</b>	50°			<b>40</b>	4000K				
			<b>X</b>	Custom												

### STANDARD FINISHES



**Z** **B** **S** **W**

### DELIVERED LUMEN OUTPUT

Length	Watts	CRI +90			
		2700K	3000K	3500K	4000K
51mm	10W	633lm	703lm	773lm	851lm

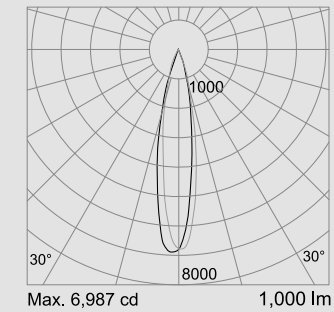
### OPTICAL FLEXIBILITY

Per Millimeter

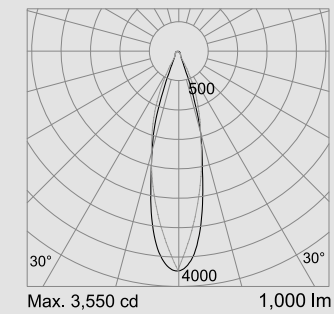
### Photometric data:

Type C Polar Curves

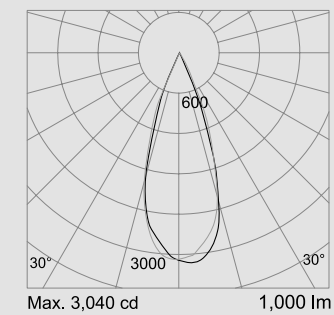
#### 10° Beam Angle



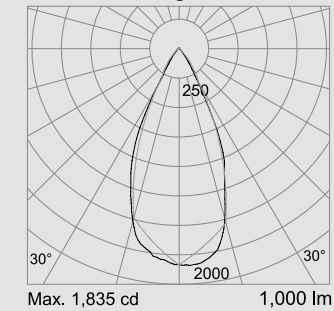
#### 25° Beam Angle



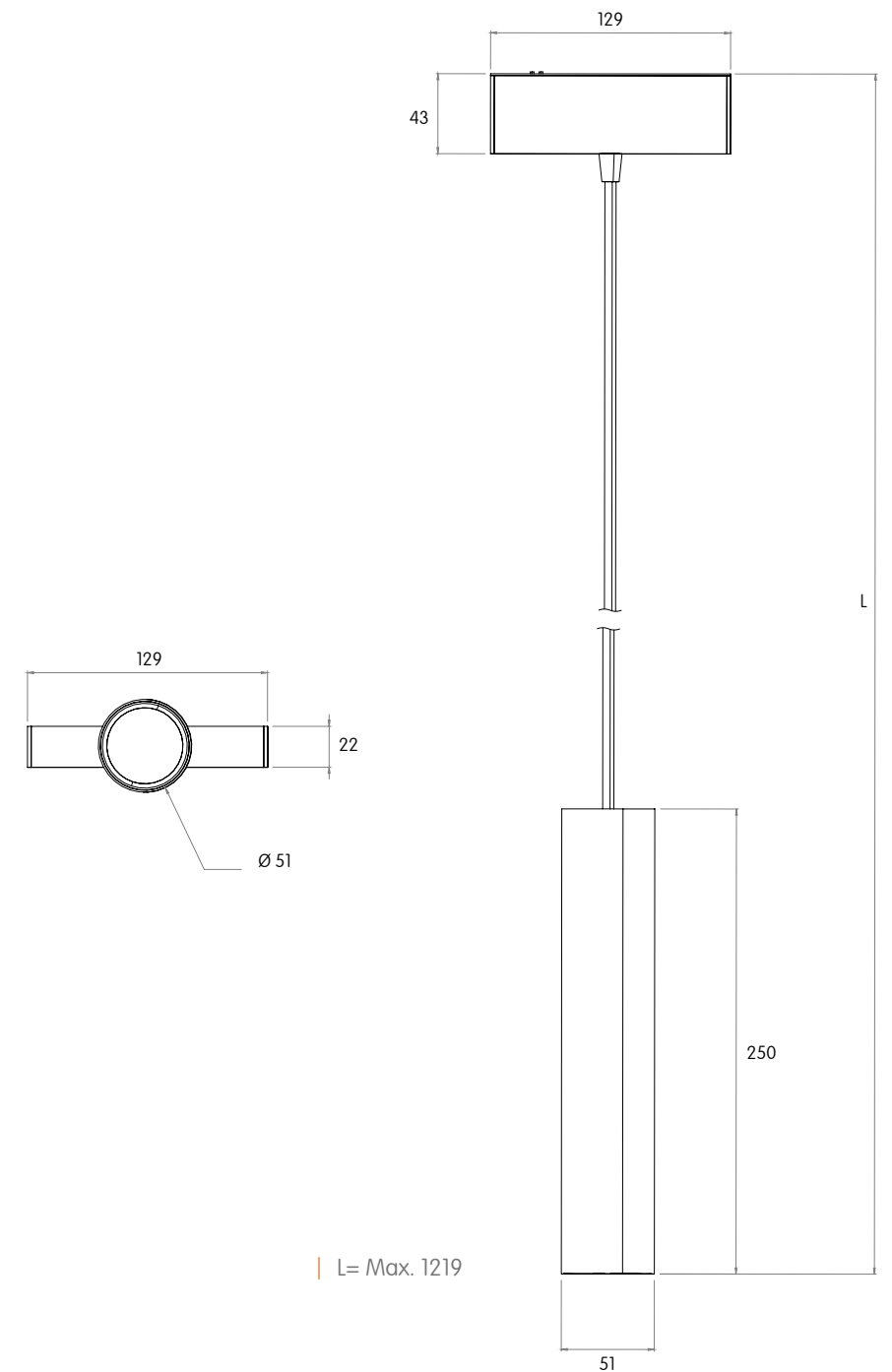
#### 35° Beam Angle



#### 50° Beam Angle

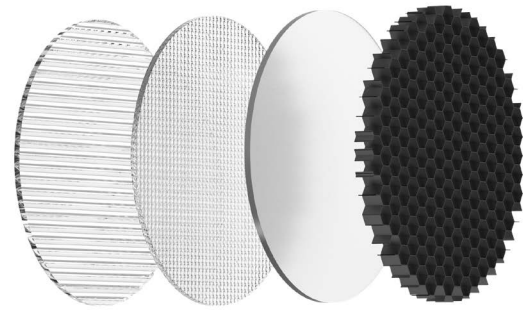


### SNOOT 1 PENDANT



OPTICAL ACCESSORIES

Lenses and anti-glare devices



**E:** Elliptical Lens  
**S:** Solite Lens  
**D:** Diffuse Lens  
**H:** Honeycomb Lenses

Fits model # / Size		Beam		Finish	
Snoot 0 Pendant	Diameter 51mm	E	Elliptical	—	None
		S	Solite	BL	Flat Black
		D	Diffuse	SL	Silver
		H	Honeycomb	WH	White

Beam distribution and combination



10°+ Diffuse lens

25°+ Diffuse lens

50°+ Diffuse lens



10°+ Elliptical spread lens (10x60)

25°+ Elliptical spread lens (10x60)

35°+ Elliptical spread lens (10x60)

# SPECTER MINI MODULES

## Snoot 1 Zoomable



SNOOT 1 ZOOMABLE

- Up to 866lm delivered output
- Available in 1 diameter size, 56mm
- Various optical accessories available such as beam shaping lenses and Honeycomb louvers
- Beam options, narrow, medium and flood
- Fixtures designed to mount in SPECTER track
- Available in 2 standard finishes: Black and white

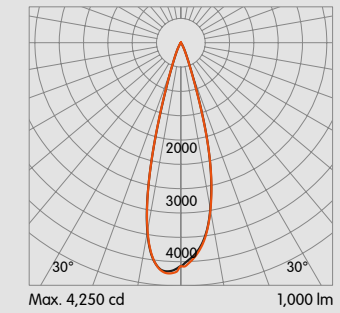
Notes: <sup>1</sup> Available dimming 0-10V and DALI

### OPTICAL FLEXIBILITY

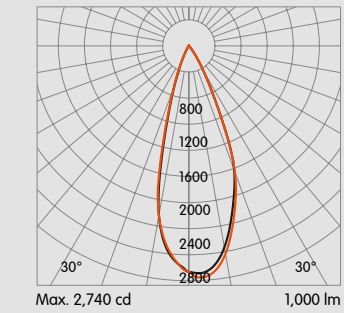
Per Millimeter

Photometric data: Type C Polar Curves

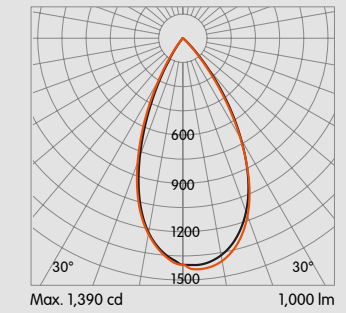
25° Beam Angle



40° Beam Angle



55° Beam Angle

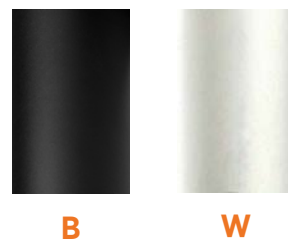


SNOOT 1 ZOOMABLE

Code example: **SPSM-Z22W-Z927-2**

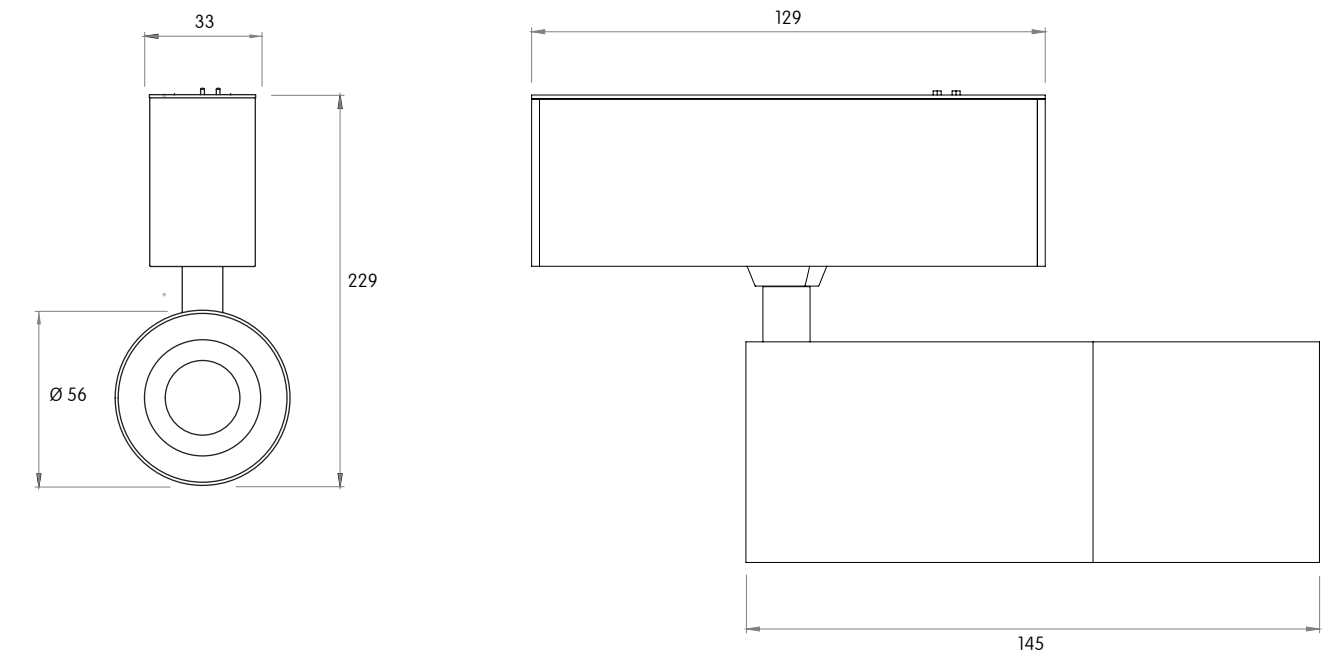
Series	Length	Body Finish	Beam Angle	CRI	Color Temp	Circuit		
<b>SPSM-Z</b>	22	56mm	<b>W</b> White	<b>Z</b> 25° - 55°	<b>9</b> +90	<b>27</b> 2700K	<b>1</b> 1-Circuit	
			<b>B</b> Black			<b>30</b> 3000K		<b>2</b> 2-Circuit
			<b>S</b> Silver			<b>35</b> 3500K		
			<b>Z</b> Bronze			<b>40</b> 4000K		
			<b>X</b> Custom					

#### STANDARD FINISHES



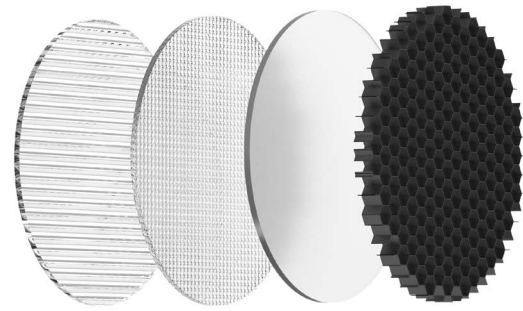
#### DELIVERED LUMEN OUTPUT

Length	Watts	CRI +90			
		2700K	3000K	3500K	4000K
56mm	10W	700lm	751lm	808lm	866lm



OPTICAL ACCESSORIES

Lenses and anti-glare devices



**E:** Elliptical Lens  
**S:** Solite Lens  
**D:** Diffuse Lens  
**H:** Honeycomb Lenses

Fits model # / Size		Beam		Finish	
Snoot 0 Pendant	Diameter 56mm	E	Elliptical	—	None
		S	Solite	BL	Flat Black
		D	Diffuse	SL	Silver
		H	Honeycomb	WH	White

Beam distribution and combination



10°+ Diffuse lens

25°+ Diffuse lens

50°+ Diffuse lens



10°+ Elliptical spread lens (10x60)

25°+ Elliptical spread lens (10x60)

35°+ Elliptical spread lens (10x60)

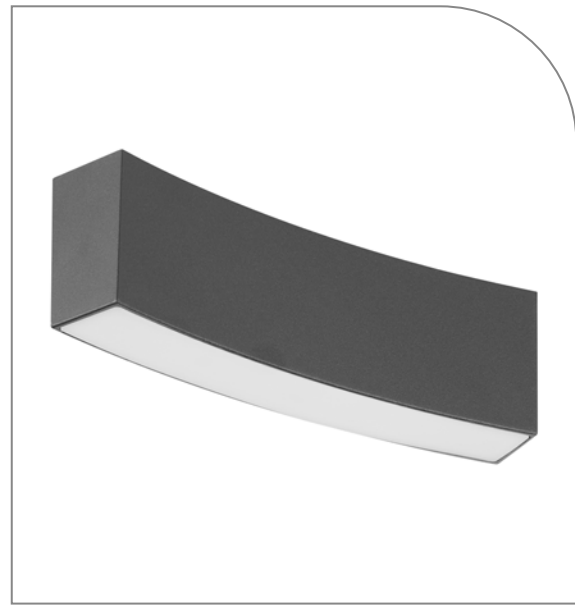


## **SPECTER** MODULES

Curved

# SPECTER CURVED MODULES

## Undrop Opal



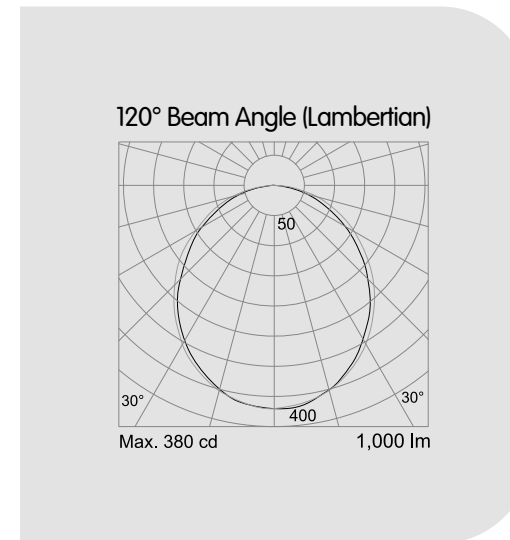
UNDROP LINE

- Up to 582lm delivered output
- Available in 1 size, 190mm
- Available in Opal lens
- Fixtures designed to mount in SPECTER track
- Available in 4 standard finishes: Black, white, silver and bronze

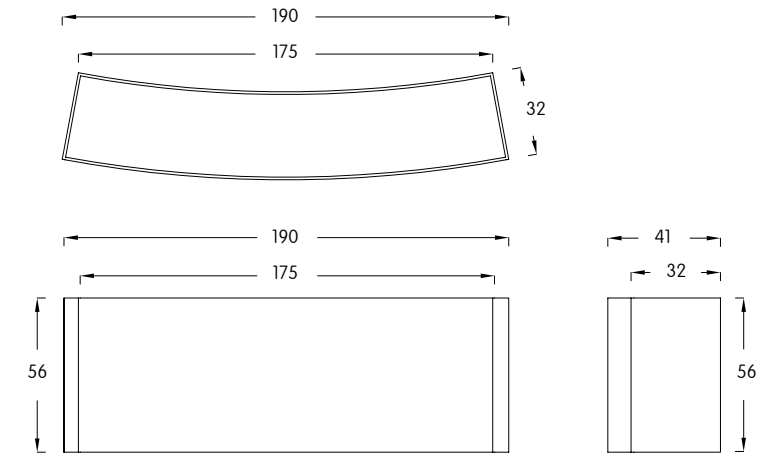
Notes: <sup>1</sup> Available dimming 0-10V and DALI

**OPTICAL FLEXIBILITY**  
Per Millimeter

Photometric data:  
Type C Polar Curves



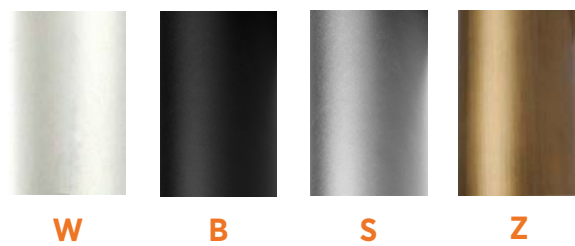
UNDROP LINE



Code example: **SPSH-O06W-L927-2**

Series	Length	Body Finish	Beam Angle	CRI	Color Temp	Circuit	
<b>SPSH-O</b>	06	190mm	<b>W</b> White	<b>L</b> 120°	<b>9</b> +90	<b>27</b> 2700K	<b>1</b> 1-Circuit
			<b>B</b> Black				<b>2</b> 2-Circuit
			<b>S</b> Silver				
			<b>Z</b> Bronze				
			<b>X</b> Custom				

### STANDARD FINISHES

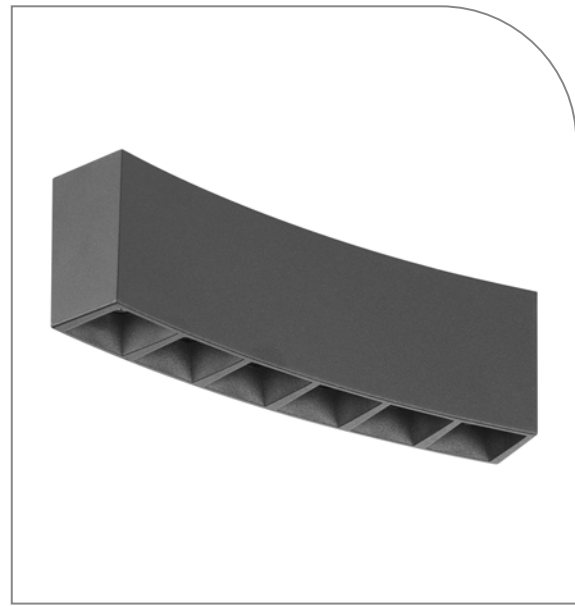


### DELIVERED LUMEN OUTPUT

Length	Watts	CRI +90			
		2700K	3000K	3500K	4000K
190mm	7W	433lm	481lm	529lm	582lm

# SPECTER CURVED MODULES

## Undrop Dot



UNDROP DOT

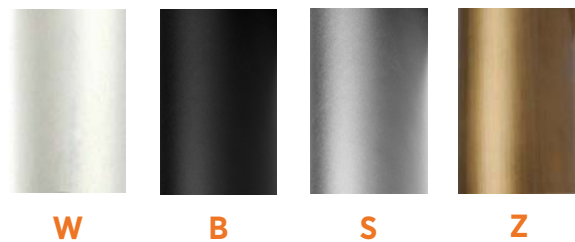
- Up to 603lm delivered output
- Available in 2 sizes, 100mm and 190mm
- Available in Low glare baffles
- Fixtures designed to mount in SPECTER track
- Available in 4 standard finishes: Black, white, silver and bronze
- Standard black baffles, custom colors are available upon request. Consult factory for added cost and lead-times

Notes: <sup>1</sup> Available dimming 0-10V and DALI

Code example: **SPSH-U04W-B-N927-2**

Series	Length	Body Finish	Baffle Finish	Beam Angle	CRI	Color Temp	Circuit
<b>SPSH-U</b>	<b>04</b> 100mm	<b>W</b> White	<b>B</b> Black	<b>N</b> 10°	<b>9</b> +90	<b>27</b> 2700K	<b>1</b> 1-Circuit
	<b>06</b> 190mm	<b>B</b> Black	<b>X</b> Custom	<b>M</b> 25°		<b>30</b> 3000K	<b>2</b> 2-Circuit
		<b>S</b> Silver		<b>F</b> 35°		<b>35</b> 3500K	
		<b>Z</b> Bronze				<b>40</b> 4000K	
		<b>X</b> Custom					

### STANDARD FINISHES



### DELIVERED LUMEN OUTPUT

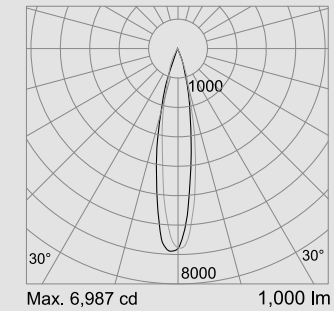
Length	Watts	CRI +90			
		2700K	3000K	3500K	4000K
100mm	4W	200lm	222lm	244lm	269lm
190mm	8W	448lm	498lm	548lm	603lm

### OPTICAL FLEXIBILITY

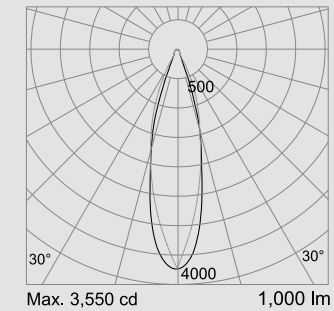
Per Millimeter

### Photometric data: Type C Polar Curves

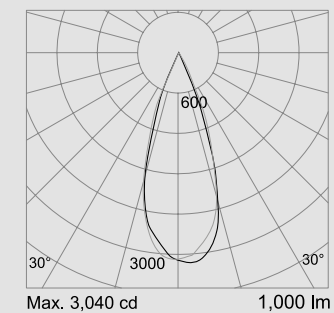
#### 10° Beam Angle



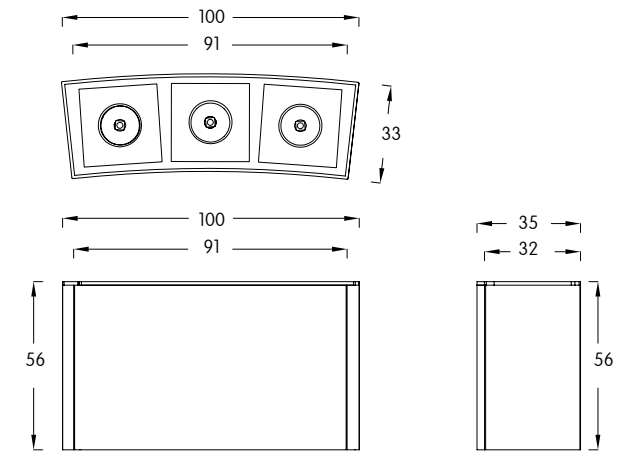
#### 25° Beam Angle



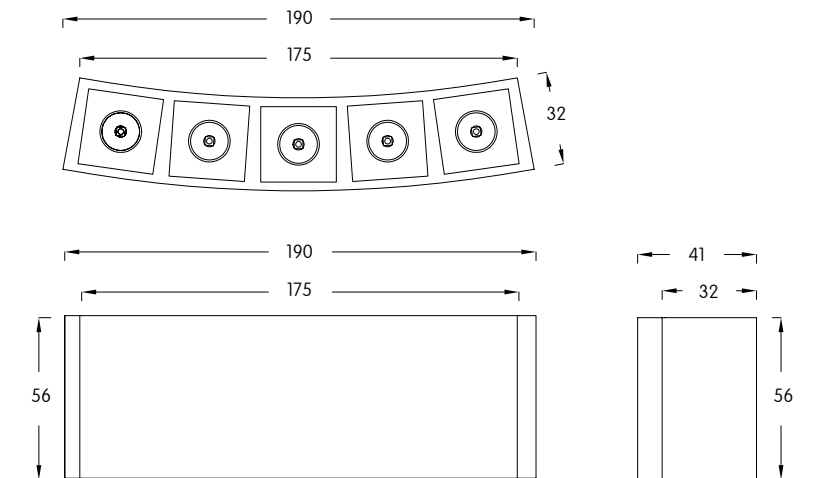
#### 35° Beam Angle



### UNDROP DOT 4



### UNDROP DOT 6



# SPECTER CURVED MODULES

## Snoot 0



SNOOT 0

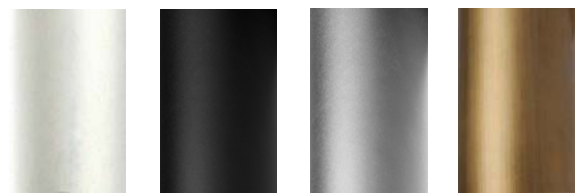
- Up to 580lm delivered output
- Various optical accessories available such as beam shaping lenses and Honeycomb louvers
- Beam options, narrow, medium and flood
- Fixtures designed to mount in SPECTER track
- Available in 4 standard finishes: Black, white, silver and bronze
- Standard black baffles, custom colors are available upon request. Consult factory for adder cost and lead-times

Notes: <sup>1</sup> Available dimming 0-10V and DALI

Code example: **SPSH-S15W-B-N927-2**

Series	Length	Body Finish	Baffle Finish	Beam Angle	CRI	Color Temp	Circuit
<b>SPSH-S</b>	15 35mm	<b>W</b> White	<b>B</b> Black	<b>N</b> 10°	<b>9</b> +90	<b>27</b> 2700K	<b>1</b> 1-Circuit
		<b>B</b> Black	<b>X</b> Custom	<b>M</b> 25°		<b>30</b> 3000K	<b>2</b> 2-Circuit
		<b>S</b> Silver		<b>F</b> 35°		<b>35</b> 3500K	
		<b>Z</b> Bronze		<b>H</b> 50°		<b>40</b> 4000K	
		<b>X</b> Custom					

### STANDARD FINISHES



W

B

S

Z

### DELIVERED LUMEN OUTPUT

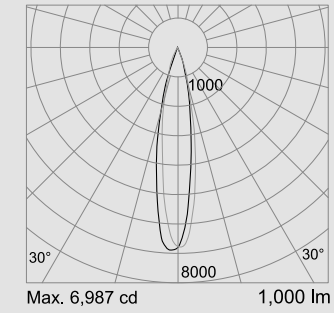
Length	Watts	CRI +90			
		2700K	3000K	3500K	4000K
35mm	5W	431lm	479lm	527lm	580lm

### OPTICAL FLEXIBILITY

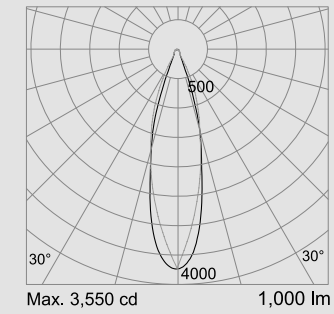
Per Millimeter

### Photometric data: Type C Polar Curves

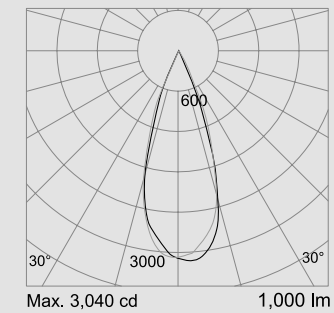
#### 10° Beam Angle



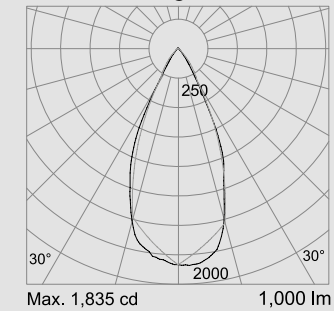
#### 25° Beam Angle



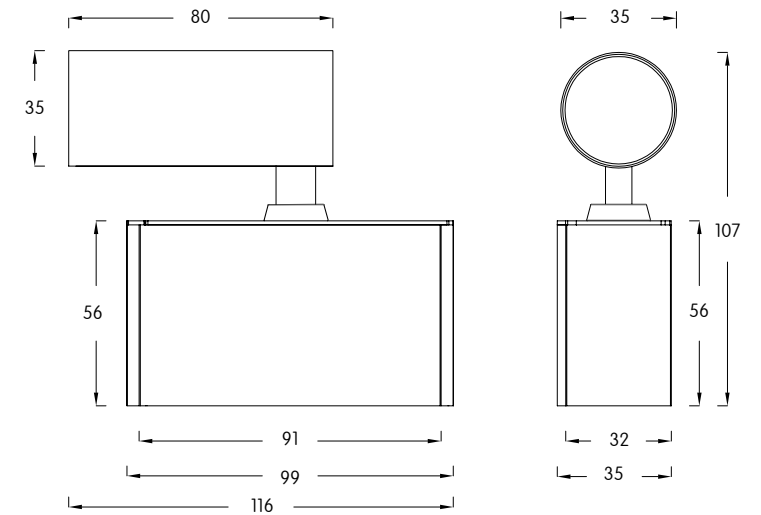
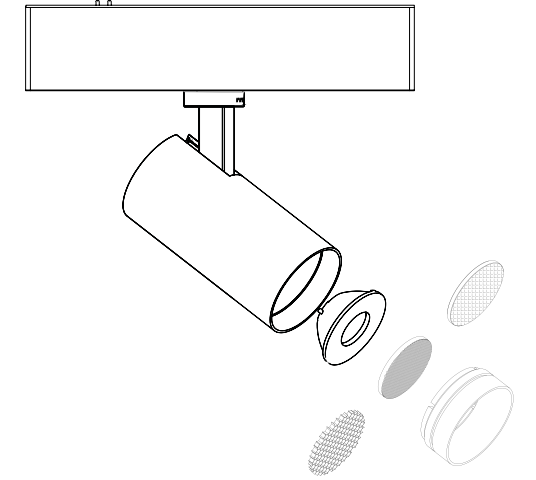
#### 35° Beam Angle



#### 50° Beam Angle

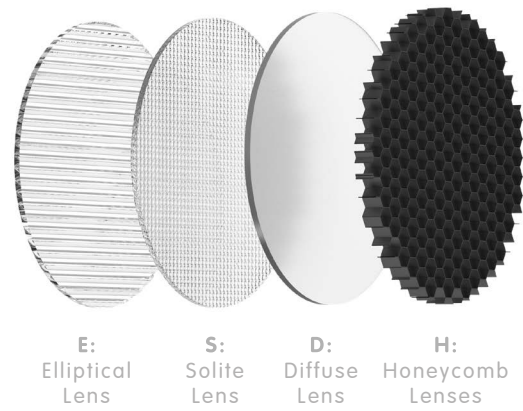


SNOOT 0



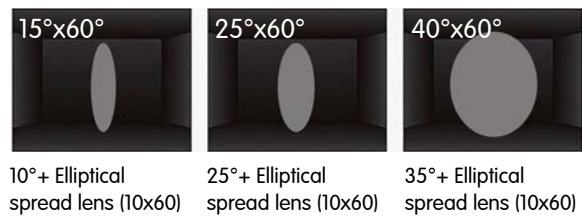
OPTICAL ACCESSORIES

Lenses and anti-glare devices



Fits model # / Size		Beam		Finish	
Snoot 0 Pendant	Diameter 35mm	E	Elliptical	—	None
		S	Solite	BL	Flat Black
		D	Diffuse	SL	Silver
		H	Honeycomb	WH	White

Beam distribution and combination



# SPECTER CURVED MODULES

## Snoot 1



SNOOT 1

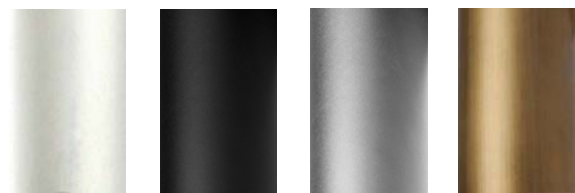
- Up to 851lm delivered output
- Various optical accessories available such as beam shaping lenses and Honeycomb louvers
- Beam options, narrow, medium and flood
- Fixtures designed to mount in SPECTER track
- Available in 4 standard finishes: Black, white, silver and bronze
- Standard black baffles, custom colors are available upon request. Consult factory for adder cost and lead-times

Notes: <sup>1</sup> Available dimming 0-10V and DALI

Code example: **SPSH-S20W-B-N927-2**

Series	Length	Body Finish	Baffle Finish	Beam Angle	CRI	Color Temp	Circuit	
<b>SPSH-S</b>	20	51mm	<b>W</b> White	<b>B</b> Black	<b>N</b> 10°	<b>9</b> +90	<b>27</b> 2700K	<b>1</b> 1-Circuit
			<b>B</b> Black	<b>X</b> Custom	<b>M</b> 25°		<b>30</b> 3000K	<b>2</b> 2-Circuit
			<b>S</b> Silver		<b>F</b> 35°		<b>35</b> 3500K	
			<b>Z</b> Bronze		<b>H</b> 50°		<b>40</b> 4000K	
			<b>X</b> Custom					

### STANDARD FINISHES



W

B

S

Z

### DELIVERED LUMEN OUTPUT

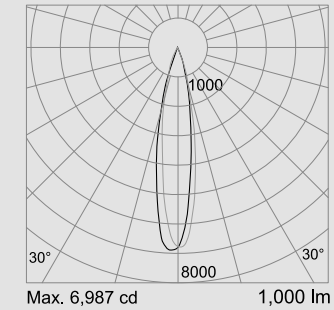
Length	Watts	CRI +90			
		2700K	3000K	3500K	4000K
51mm	10W	633lm	703lm	773lm	851lm

### OPTICAL FLEXIBILITY

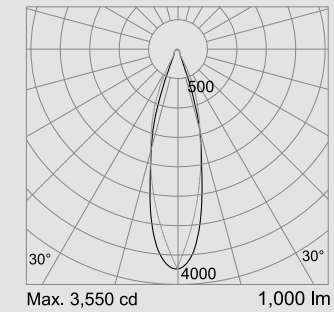
Per Millimeter

### Photometric data: Type C Polar Curves

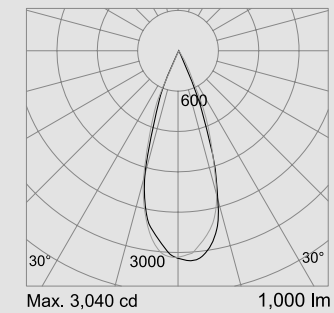
#### 10° Beam Angle



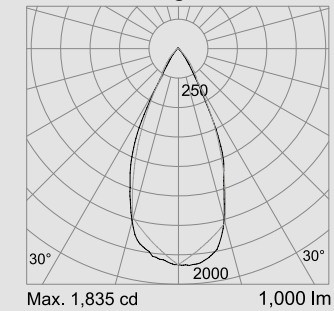
#### 25° Beam Angle



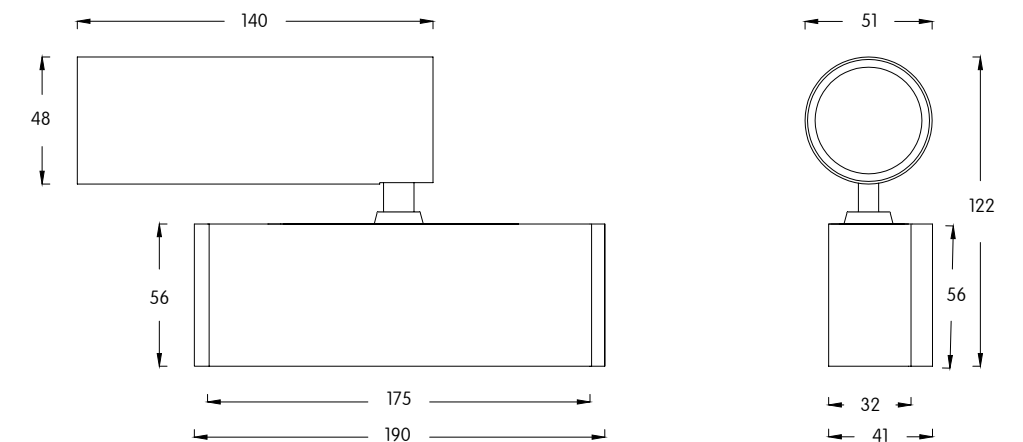
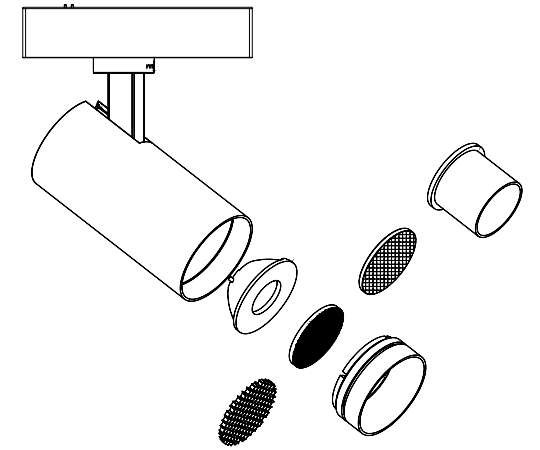
#### 35° Beam Angle



#### 50° Beam Angle

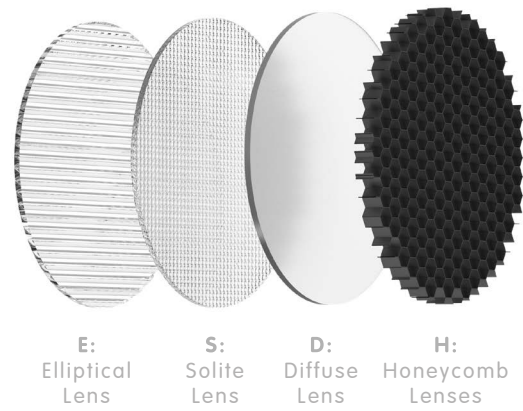


### SNOOT 1



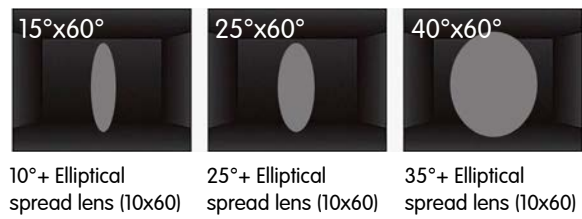
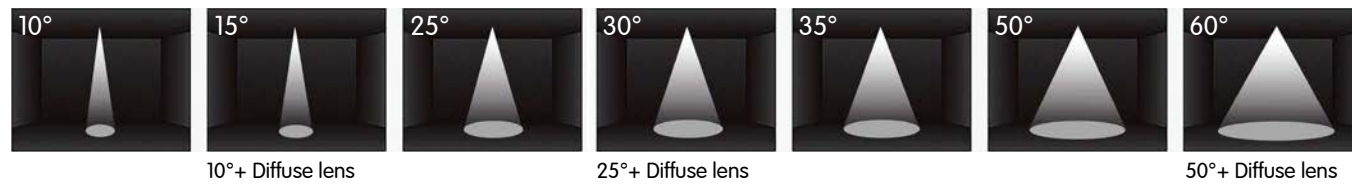
OPTICAL ACCESSORIES

Lenses and anti-glare devices



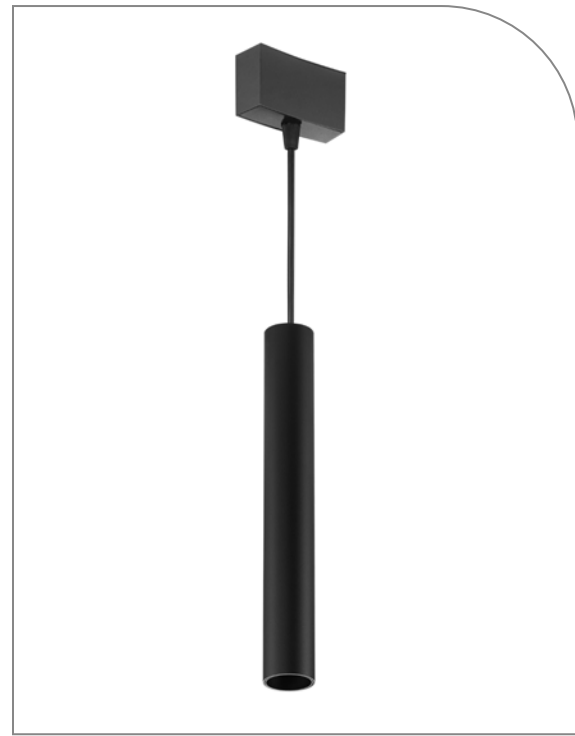
Fits model # / Size		Beam		Finish	
Snoot 0 Pendant	Diameter 51mm	E	Elliptical	—	None
		S	Solite	BL	Flat Black
		D	Diffuse	SL	Silver
		H	Honeycomb	WH	White

Beam distribution and combination



# SPECTER CURVED MODULES

## Snoot 0 Pendant



SNOOT 0 PENDANT

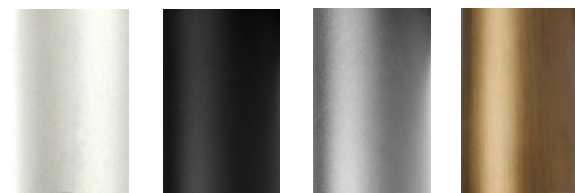
- Up to 580lm delivered output
- Various optical accessories available such as beam shaping lenses and Honeycomb louvers
- Beam options, narrow, medium and flood
- Fixtures designed to mount in SPECTER track
- Available in 4 standard finishes: Black, white, silver and bronze
- Standard black baffles, custom colors are available upon request. Consult factory for added cost and lead-times

Notes: <sup>1</sup> Available dimming 0-10V and DALI

Code example: **SPSH-P15W-B-N927-2**

Series	Length	Body Finish	Baffle Finish	Beam Angle	CRI	Color Temp	Circuit	
<b>SPSH-P</b>	15	35mm	<b>W</b> White	<b>B</b> Black	<b>9</b> +90	<b>N</b> 10°	<b>27</b> 2700K	<b>1</b> 1-Circuit
		<b>B</b> Black	<b>X</b> Custom	<b>M</b> 25°		<b>30</b> 3000K	<b>2</b> 2-Circuit	
		<b>S</b> Silver		<b>F</b> 35°		<b>35</b> 3500K		
		<b>Z</b> Bronze		<b>H</b> 50°		<b>40</b> 4000K		
		<b>X</b> Custom						

### STANDARD FINISHES



**W B S Z**

### DELIVERED LUMEN OUTPUT

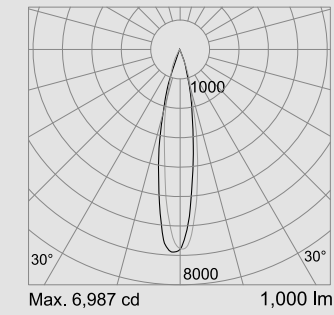
Length	Watts	CRI +90			
		2700K	3000K	3500K	4000K
35mm	5W	431lm	479lm	527lm	580lm

### OPTICAL FLEXIBILITY

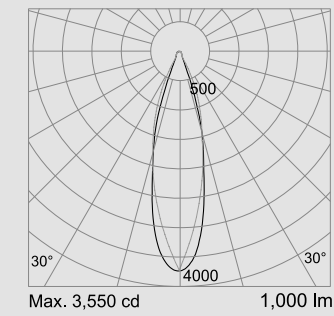
Per Millimeter

### Photometric data: Type C Polar Curves

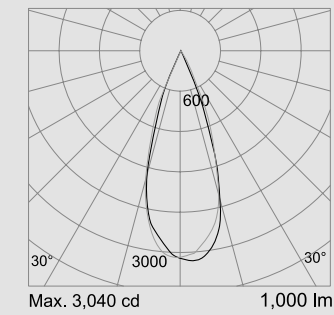
#### 10° Beam Angle



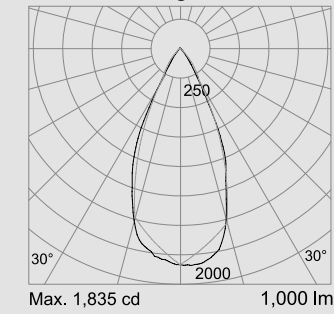
#### 25° Beam Angle



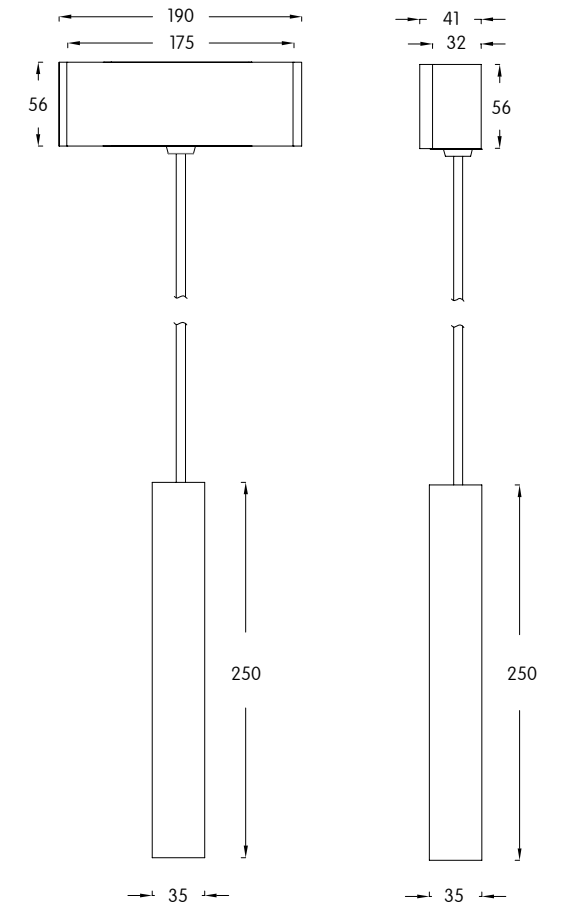
#### 35° Beam Angle



#### 50° Beam Angle



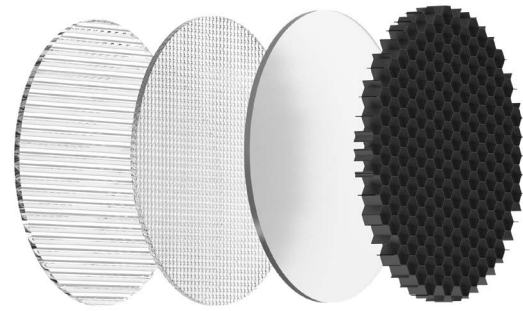
### SNOOT 0 PENDANT



L= Max. 1219

OPTICAL ACCESSORIES

Lenses and anti-glare devices



**E:** Elliptical Lens  
**S:** Solite Lens  
**D:** Diffuse Lens  
**H:** Honeycomb Lenses

Fits model # / Size		Beam		Finish	
Snoot 0 Pendant	Diameter 35mm	E	Elliptical	—	None
		S	Solite	BL	Flat Black
		D	Diffuse	SL	Silver
		H	Honeycomb	WH	White

Beam distribution and combination



10°+ Diffuse lens

25°+ Diffuse lens

50°+ Diffuse lens



10°+ Elliptical spread lens (10x60)

25°+ Elliptical spread lens (10x60)

35°+ Elliptical spread lens (10x60)

# SPECTER CURVED MODULES

## Snoot 1 Pendant



SNOOT 1 PENDANT

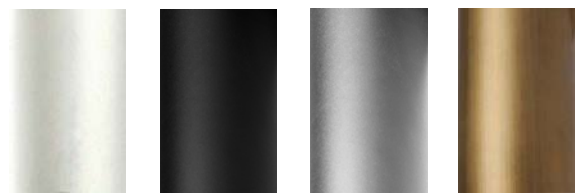
- Up to 851lm delivered output
- Various optical accessories available such as beam shaping lenses and Honeycomb louvers
- Beam options, narrow, medium and flood
- Fixtures designed to mount in SPECTER track
- Available in 4 standard finishes: Black, white, silver and bronze
- Standard black baffles, custom colors are available upon request. Consult factory for added cost and lead-times

Notes: <sup>1</sup> Available dimming 0-10V and DALI

Code example: **SPSH-P20W-B-N927-2**

Series	Length		Body Finish		Baffle Finish		Beam Angle		CRI		Color Temp		Circuit													
<b>SPSH-P</b>	20	51mm	<b>W</b>	White	<b>B</b>	Black	<b>N</b>	10°	<b>9</b>	+90	<b>27</b>	2700K	<b>1</b>	1-Circuit												
			<b>B</b>	Black	<b>X</b>	Custom									<b>M</b>	25°	<b>30</b>	3000K	<b>2</b>	2-Circuit						
			<b>S</b>	Silver	<b>F</b>	35°															<b>35</b>	3500K				
			<b>Z</b>	Bronze																			<b>H</b>	50°	<b>40</b>	4000K
			<b>X</b>	Custom																						

### STANDARD FINISHES



**W**

**B**

**S**

**Z**

### DELIVERED LUMEN OUTPUT

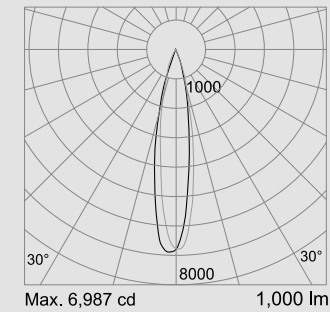
Length	Watts	CRI +90			
		2700K	3000K	3500K	4000K
51mm	10W	633lm	703lm	773lm	851lm

### OPTICAL FLEXIBILITY

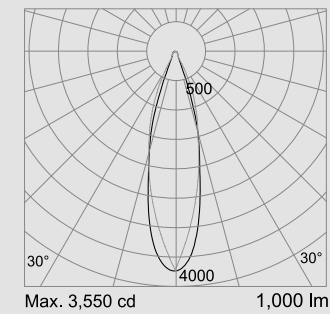
Per Millimeter

### Photometric data: Type C Polar Curves

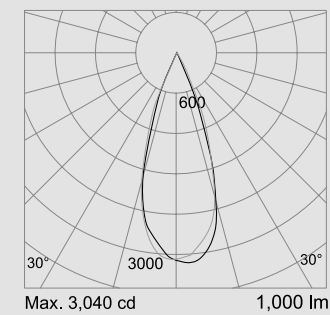
#### 10° Beam Angle



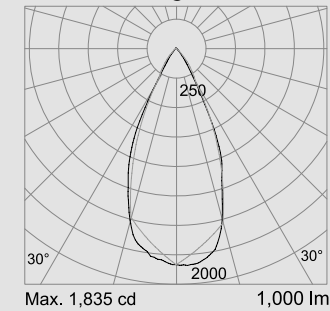
#### 25° Beam Angle



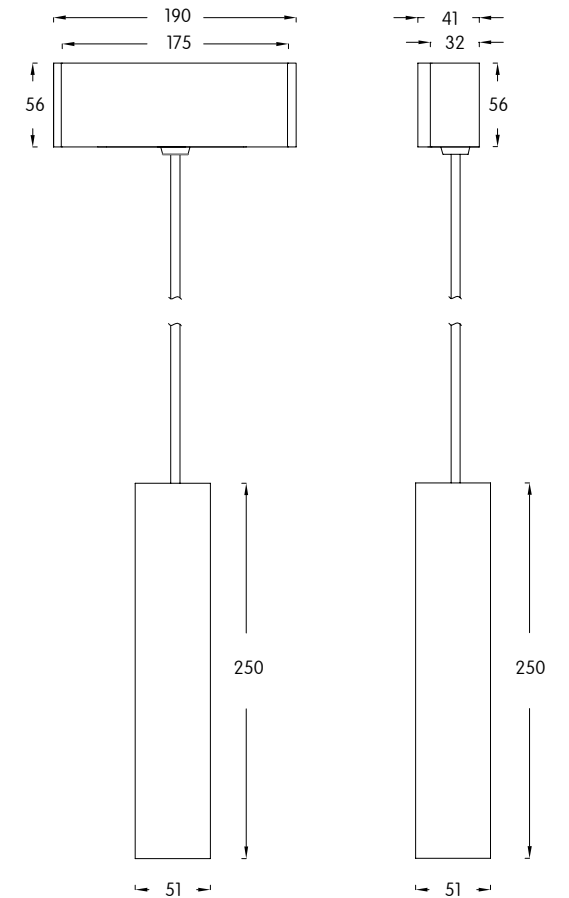
#### 35° Beam Angle



#### 50° Beam Angle



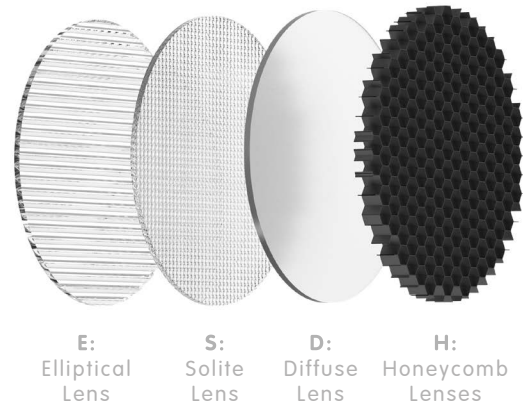
### SNOOT 1 PENDANT



L= Max. 1219

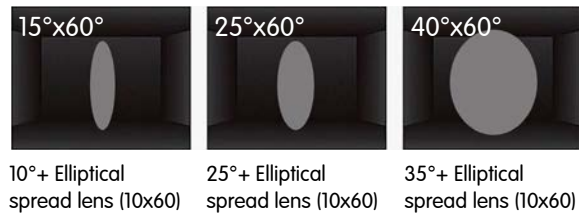
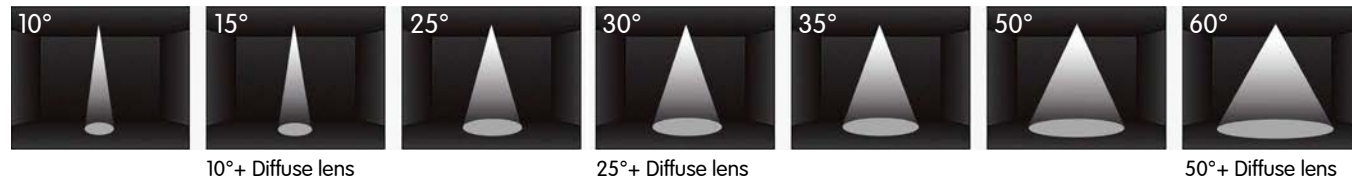
OPTICAL ACCESSORIES

Lenses and anti-glare devices



Fits model # / Size		Beam		Finish	
Snoot 0 Pendant	Diameter 51mm	E	Elliptical	—	None
		S	Solite	BL	Flat Black
		D	Diffuse	SL	Silver
		H	Honeycomb	WH	White

Beam distribution and combination





190 TC Jester Blvd.  
Houston, TX  
Lighting Design: Gensler

# SPECTER CURVED MODULES

## Snoot 1 Zoomable



SNOOT 1 ZOOMABLE

- Up to 927lm delivered output
- Available in 1 diameter size, 56mm
- Various optical accessories available such as beam shaping lenses and Honeycomb louvers
- Beam options, narrow, medium and flood
- Fixtures designed to mount in SPECTER track
- Available in 2 standard finishes: Black and white

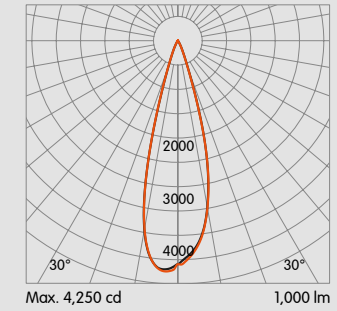
Notes: <sup>1</sup> Available dimming 0-10V and DALI

### OPTICAL FLEXIBILITY

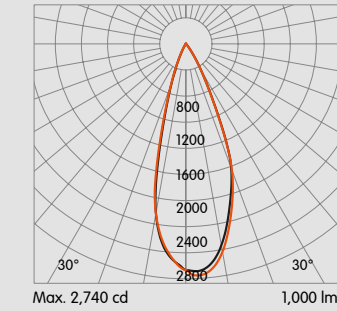
Per Millimeter

Photometric data: Type C Polar Curves

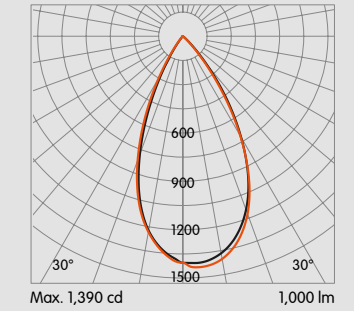
25° Beam Angle



40° Beam Angle



55° Beam Angle



SNOOT 1 ZOOMABLE

Code example: **SPSH-Z22W-Z927-2**

Series	Length	Body Finish	Beam Angle	CRI	Color Temp	Circuit					
<b>SPSH-Z</b>	22	56mm	W	Z	25° - 55°	9	+90	27	2700K	1	1-Circuit
			B					30	3000K	2	2-Circuit
			S					35	3500K		
			Z					40	4000K		
			X								

#### STANDARD FINISHES



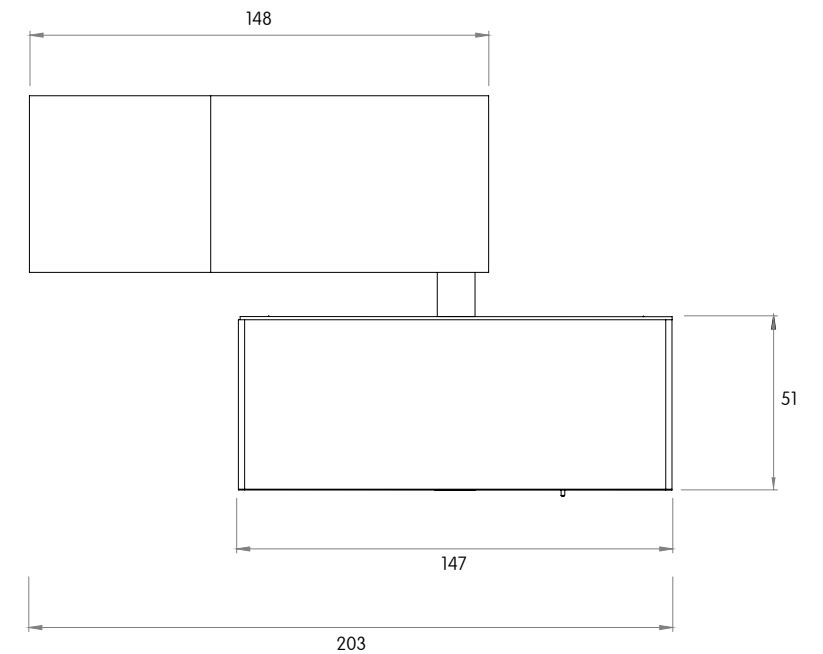
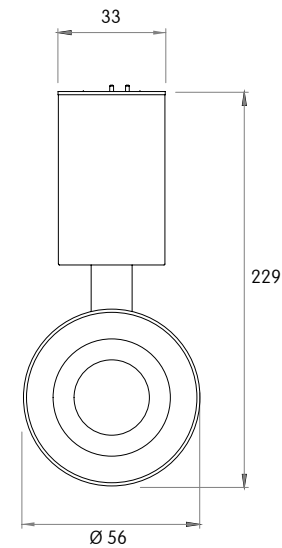
W



B

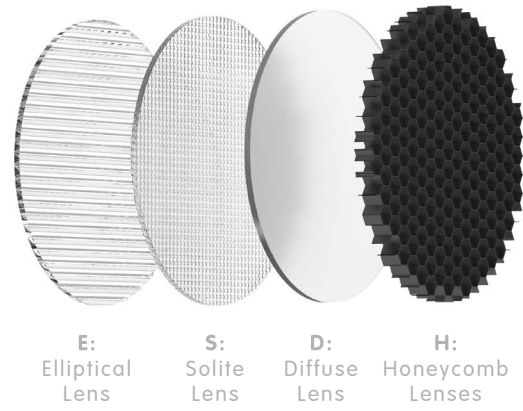
#### DELIVERED LUMEN OUTPUT

Length	Watts	CRI +90			
		2700K	3000K	3500K	4000K
56mm	10W	749lm	804lm	865lm	927lm



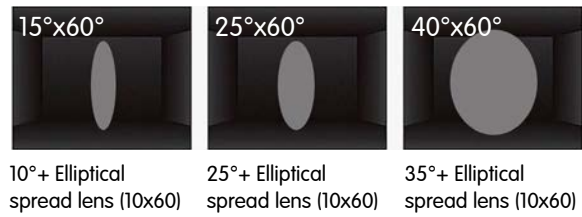
OPTICAL ACCESSORIES

Lenses and anti-glare devices



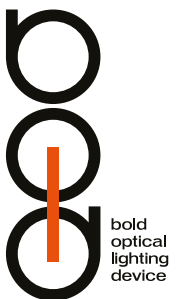
Fits model # / Size		Beam		Finish	
Snoot 0 Pendant	Diameter 56mm	E	Elliptical	—	None
		S	Solite	BL	Flat Black
		D	Diffuse	SL	Silver
		H	Honeycomb	WH	White

Beam distribution and combination



190 TC Jester Blvd.  
Houston, TX  
Lighting Design: Gensler

Architecture should be seen; **Lighting should be quietly Bold.**



1349 Old 41 Hwy NW Suite 150, Marietta, GA 30060, USA  
+1 678-903-4061 | [info@boldlighting.us](mailto:info@boldlighting.us)

[www.boldlighting.com](http://www.boldlighting.com)