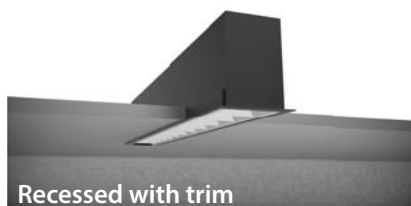
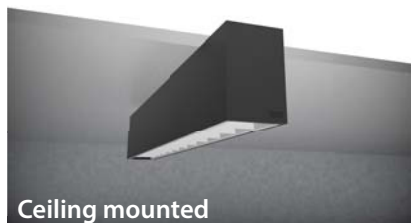


LIGHTWAY - SYMMETRICAL BAFFLES

Product Code													
L6	I							20			I		
Series	Environment	Mounting	Optic	Beam	CCT	Output	Control Gear	IP	Emergency	Body finish	Layout	Length	Wiring
L6	I	SM WD RW RT PD	AB AW AG	08 16 30 45 E2	827 830 840 927 930	P1 P2 P3	P Q R S T	20	N	BS BT WS WT GS XX	I	12 24 36 48 60 C00	I B M E



The L6 Lightway symmetrical baffles are designed to offer a low glare ambient lighting. Optimal for office lighting and other spaces requiring low surface and source luminance. The black, white and gray baffles offer excellent glare control and are compatible with a wide array of beam angles. The specially-designed aluminum optics with the high-power LED generate a powerful general lighting effect.

Mounting

- SM:** Ceiling mounted
- WD:** Wall mounted (Direct)
- RW:** Recessed with trim
- RT:** Recessed trimless
- RW:** Recessed with trim
- PD:** Pendant

Optic

- AB:** Symmetrical black baffles
- AW:** Symmetrical white baffles
- AG:** Symmetrical grey baffles

Beam

- 08:** 08°
- 16:** 16°
- 34:** 30°
- 48:** 45°
- E2:** 15°+36°

CCT

- 827:** 2700K, CRI +80
- 830:** 3000K, CRI +80
- 835:** 3500K, CRI +80
- 840:** 4000K, CRI +80
- 927:** 2700K, CRI +90
- 930:** 3000K, CRI +90

Output (initial lumen value)

- P1:** 6W/ft., 450lm/ft.
- P2:** 9W/ft., 321lm/ft.
- P3:** 13W/ft., 800lm/ft.

Control gear

- P:** NON DIM / ECG
- Q:** 0 TO 10 DIM
- R:*** DALI
- S:*** 2 Wires Phase Dimming
- P:*** DMX

**This driver option is only available integral for fixtures 24" and longer*

IP

- 20:** IP20

Body finish

- BS:** Black Smooth
- BT:** Black Textured
- WS:** White Smooth
- WT:** White Textured
- GS:** Grey Smooth
- XX:** Custom RAL Color



reddot award 2017 winner

Emergency

- N:** No emergency

Layout

- I:** I shape

Length *

- 12:** 12"
- 24:** 23^{3/4}"
- 36:** 35"
- 48:** 46^{1/2}"
- 60:** 58^{1/8}"

C00: Custom

For custom length, please note length in inches

**These are rounded values, please refer to installation manual for exact dimensions.*

Wiring

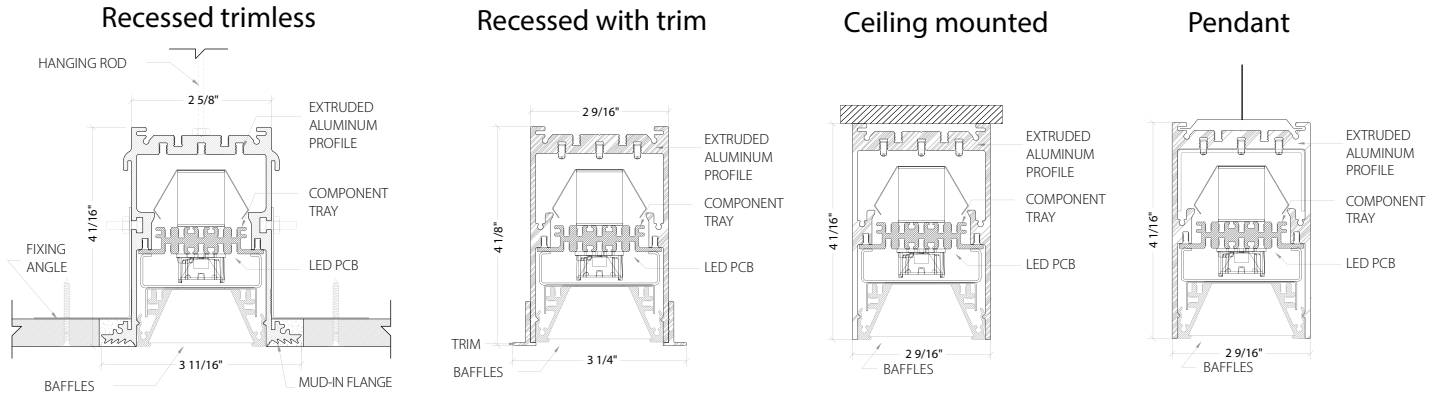
- I:** Individual
- B:** Beginning
- M:** Middle
- E:** End

We reserve the right to make technical changes without prior notice.

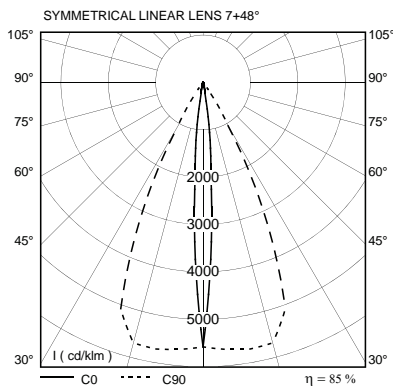
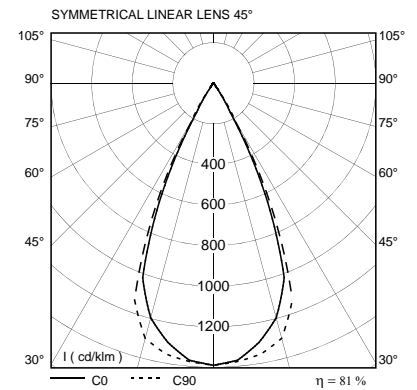
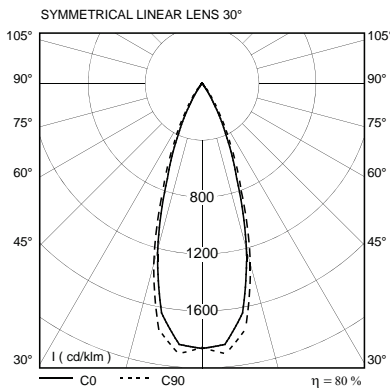
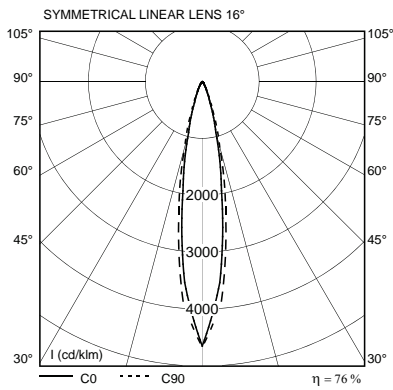
LIGHTWAY - SYMMETRICAL BAFFLES



2D DIMENSIONAL DIAGRAMS



PHOTOMETRIC DATA



Lumen output

		CRI 80			
		2700K	3000K	3500K	4000 K
P1	6 W/ft	473 Lm/ft	442 Lm/ft	480 Lm/ft	519 Lm/ft
P2	9 W/ft	656 Lm/ft	610 Lm/ft	656 Lm/ft	717 Lm/ft
P3	13 W/ft	763 Lm/ft	808 Lm/ft	854 Lm/ft	946 Lm/ft

ELECTRICAL

120 - 277 V ; 50 - 60 Hz

Phase DIM



1 To 10V DIM / DALI DIM

