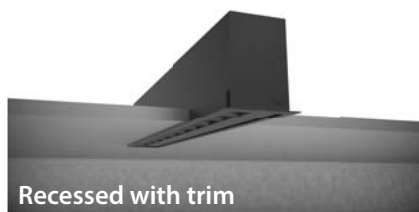


LIGHTWAY - GRAZING BAFFLES

Product Code													
L6	I							20			I		
Series	Environment	Mounting	Optic	Beam	CCT	Output	Control Gear	IP	Emergency	Body finish	Layout	Length	Wiring
L6	I	SM WD RW RT PD	GB GW GG	08 16	827 830 840 927 930	P1 P2 P3	P Q R S T	20	N	BS BT WS WT GS XX	I	12 24 36 48 60 C00	I B M E



The L6 Lightway grazing baffles are optically engineered to offer best-in-class grazing capabilities. The luminaire was designed as a tool for designers to emphasize rough-textured surfaces up to 15ft. (5m) high. The specially-designed Anti-glare optics control glare, exceptionally, from both the longitudinal and transversal sides of the profile, achieving a powerful effect. Ideal for surfaces of great height, for indoor hospitality applications, or heritage and brick architecture. The grazing effect starts from the Zero point of the wall.

Mounting

- SM:** Ceiling mounted
- WD:** Wall mounted (Direct)
- RW:** Recessed with trim
- RT:** Recessed trimless
- PD:** Pendant

Optic

- GB:** Grazing black baffles
- GW:** Grazing white baffles
- GG:** Grazing grey baffles

Beam

- 08:** 08°
- 16:** 16°

CCT

- 827:** 2700K, CRI +80
- 830:** 3000K, CRI +80
- 835:** 3500K, CRI +80
- 840:** 4000K, CRI +80
- 927:** 2700K, CRI +90
- 930:** 3000K, CRI +90



red dot award 2017
winner

Output (initial lumen value)

- P1:** 6W/ft., 225lm/ft.
- P2:** 9W/ft., 321lm/ft.
- P3:** 13W/ft., 417lm/m

Control gear

- P:** NON DIM / ECG
- Q:** 0 TO 10 DIM
- R:*** DALI
- S:*** 2 Wires Phase Dimming
- P:*** DMX

*This driver option is only available integral for fixtures 24" and longer

IP

- 20:** IP20

Body finish

- BS:** Black Smooth
- BT:** Black Textured
- WS:** White Smooth
- WT:** White Textured
- GS:** Grey Smooth
- XX:** Custom RAL Color

Emergency

- N:** No emergency

Layout

- I:** I shape

Length *

- 12:** 12"
- 24:** 23³/₄"
- 36:** 35"
- 48:** 46¹/₂"
- 60:** 58¹/₈"

C00: Custom
For custom length, please note length in Inches

*These are rounded values, please refer to installation manual for exact dimensions.

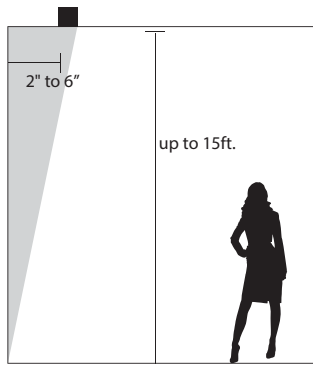
Wiring

- I:** Individual
- B:** Beginning
- M:** Middle
- E:** End

We reserve the right to make technical changes without prior notice.

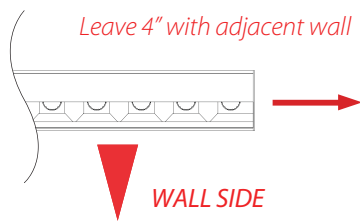
LIGHTWAY - GRAZING BAFFLES

2D DIMENSIONAL DIAGRAMS



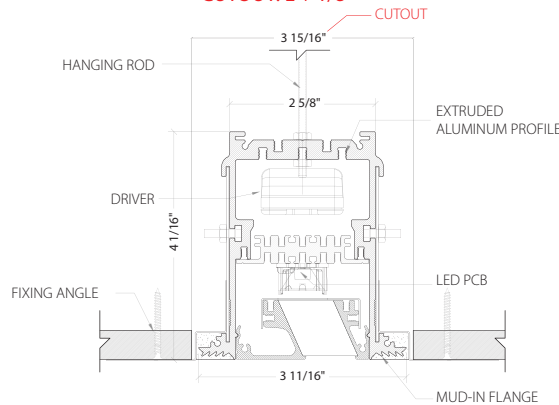
Setback from the wall is defined by wall texture and height. Consult factory for optimal setback according to your project conditions.

TOP VIEW



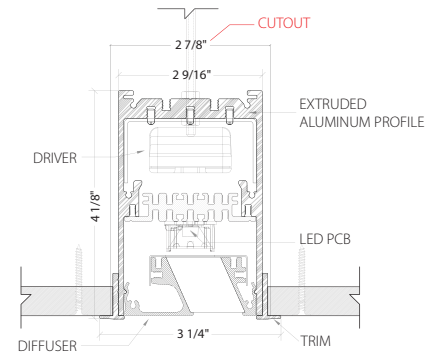
Recessed trimless

CUTOUT: L + 1/8"

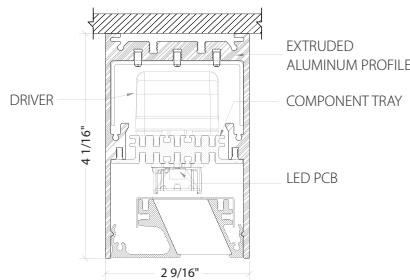


Recessed with trim

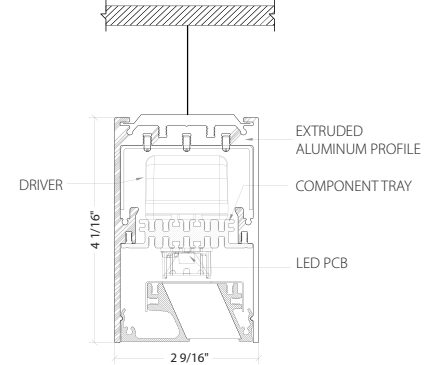
CUTOUT: L + 1/16"



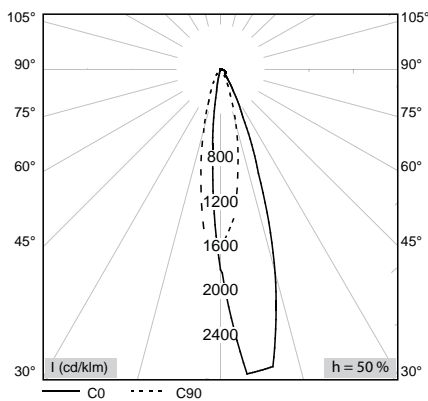
Ceiling mounted



Pendant



PHOTOMETRIC DATA



Lumen output

		CRI 80			
		2700K	3000K	3500K	4000 K
P1	6 W/ft	225 Lm/ft	225 Lm/ft	257 Lm/ft	273 Lm/ft
P2	9 W/ft	305 Lm/ft	321 Lm/ft	345 Lm/ft	369 Lm/ft
P3	13 W/ft	401 Lm/ft	417 Lm/ft	449 Lm/ft	481 Lm/ft

ELECTRICAL

120 - 277 V ; 50 - 60 Hz

NON DIM / ECG



1 To 10V DIM / DALI DIM

