

Product Code												
U6			00				67			I		
Series	Mounting	Optic	Beam	CCT	Output	Control Gear	IP	Body finish	Emergency	Layout	Length	Wiring
U6	IS ID	AO AD WL GL	00	827 830 840 927 930 8WD 9TW	L2 L3 L4 L5	A B D F	67	BS WS GS	N	I	12 24 36 48 60 C00	T1 T2



Our linear range abides by our 'simplicity in all matters' philosophy. Our team's distinctive approach to product design has given birth to an innovative breed of easy-to-configure systems for sustainable indoor and outdoor lighting. The VICE ambient range achieves exceptional visual comfort by providing best-in-class lighting performance. This range is specially designed to radiate a comfortable level of brightness by homogeneously illuminating the horizontal and vertical planes.

The U060 Lightway opal diffuser offers powerful lighting and excellent light transmission with high diffusion and homogeneity.

The diamond-like prism structure lens provides a high efficiency solution for ambient lighting with great glare reduction and superior vertical/horizontal illumination.

The asymmetrical linear lens provides an exceptional homogeneous distribution of light over vertical surfaces. It scores a very high output, making it ideal for high ceiling lighting applications.

The elliptical narrow lens is powerful yet efficient- provides homogeneous vertical surface grazing and works perfectly on high vertical surfaces for indoor and outdoor applications.

Mounting

- IS:** Recessed inground shallow
ID: Recessed inground deep

Optic

- AO:** Opal
AD: Diamond prism
WL: Asymmetric lens
GL: Elliptical narrow

CCT

- 9TW:** 2,200K - 5000K
8WD: 1800K - 2780K
827: 2700K, CRI +80
830: 3000K, CRI +80
835: 3500K, CRI +80
840: 4000K, CRI +80
927: 2700K, CRI +90
930: 3000K, CRI +90

Output (Delivered, 3,000K CRI +80)

- L2:** 5W/ft, 520 lm / ft.
L3: 7W/ft, 720 lm / ft.
L4: 9W/ft, 1250 lm / ft.
L5: 13W/ft, 1450 lm / ft.

Control gear

- A:** NON DIM / ECG
B: 0 TO 10 DIM
D: DALI
F: 2 Wires Phase Dimming

IP

- 67:** IP67

Body finish

- BS:** Black Smooth
WS: White Smooth
GS: Grey Smooth

Emergency

- N:** No emergency

Layout

- I:** I shape

Length *

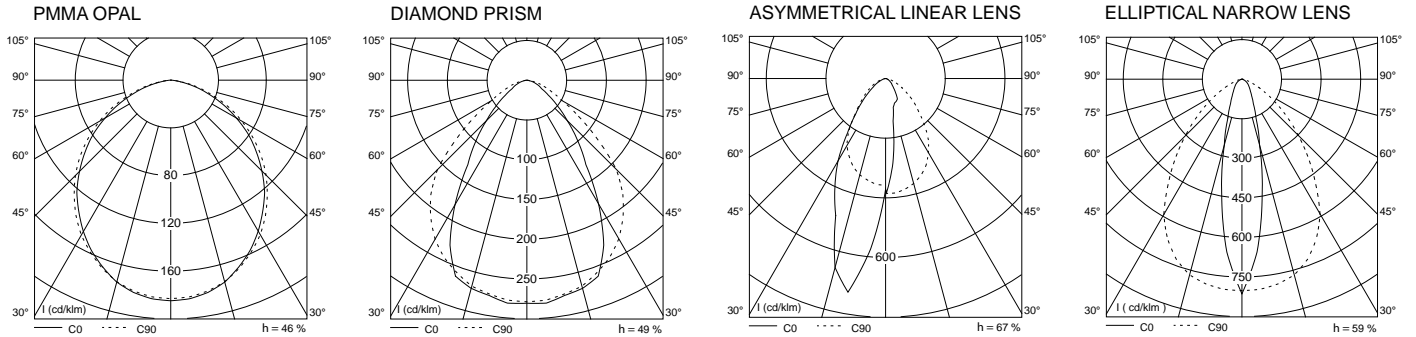
- 12:** 12^{3/4"}
24: 24^{1/4"}
36: 35^{3/4"}
48: 47^{1/2"}
60: 59^{1/4"}
C00: Custom
 For custom length, please note length in Inches

**These are rounded values, please refer to installation manual for exact dimensions.*

Wiring

- T1:** Stand Alone
T2: Through Wiring

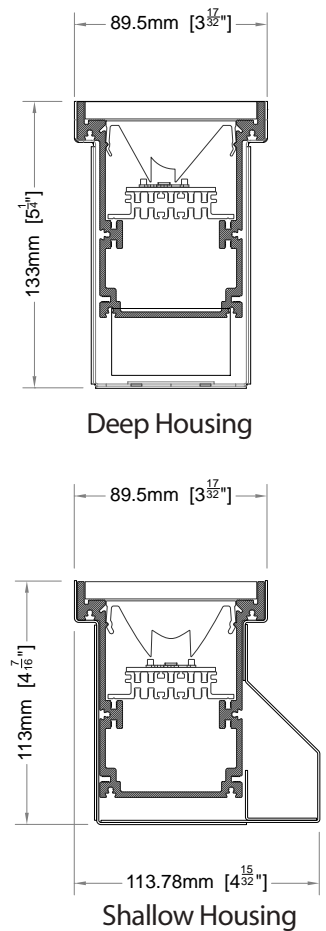
Photometric Data:



Delivered Lumens

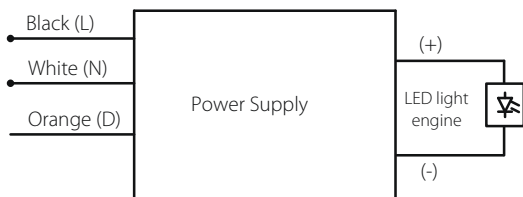
CCT	Output Level	Consumption	OPAL	DIAMOND PRISM	ELLIPTICAL NARROW	ASYMMETRIC
			OPAL	DIAMOND PRISM	ELLIPTICAL NARROW	ASYMMETRIC
2,700	L2	5 W/ft	475 Lm/ft	490 Lm/ft	520 Lm/ft	520 Lm/ft
	L3	7 W/ft	660 Lm/ft	660 Lm/ft	720 Lm/ft	700 Lm/ft
	L4	9 W/ft	950 Lm/ft	950 Lm/ft	1025 Lm/ft	1000 Lm/ft
	L5	13 W/ft	1300 Lm/ft	1330 Lm/ft	1450 Lm/ft	1400 Lm/ft
3,000	L2	5 W/ft	505 Lm/ft	510 Lm/ft	550 Lm/ft	540 Lm/ft
	L3	7 W/ft	705 Lm/ft	690 Lm/ft	750 Lm/ft	750 Lm/ft
	L4	9 W/ft	1000 Lm/ft	975 Lm/ft	1085 Lm/ft	1075 Lm/ft
	L5	13 W/ft	1410 Lm/ft	1375 Lm/ft	1510 Lm/ft	1500 Lm/ft
3,500	L2	5 W/ft	510 Lm/ft	515 Lm/ft	570 Lm/ft	550 Lm/ft
	L3	7 W/ft	705 Lm/ft	705 Lm/ft	765 Lm/ft	760 Lm/ft
	L4	9 W/ft	1000 Lm/ft	1000 Lm/ft	1100 Lm/ft	1100 Lm/ft
	L5	13 W/ft	1410 Lm/ft	1415 Lm/ft	1550 Lm/ft	1500 Lm/ft
4,000	L2	5 W/ft	520 Lm/ft	520 Lm/ft	575 Lm/ft	575 Lm/ft
	L3	7 W/ft	705 Lm/ft	725 Lm/ft	780 Lm/ft	775 Lm/ft
	L4	9 W/ft	1010 Lm/ft	1050 Lm/ft	1115 Lm/ft	1100 Lm/ft
	L5	13 W/ft	1425 Lm/ft	1450 Lm/ft	1560 Lm/ft	1550 Lm/ft

Sections:



Electrical: 120 - 277 V ; 50 - 60 Hz

Phase DIM



1 To 10V DIM / DALI DIM



We reserve the right to make technical changes without prior notice.