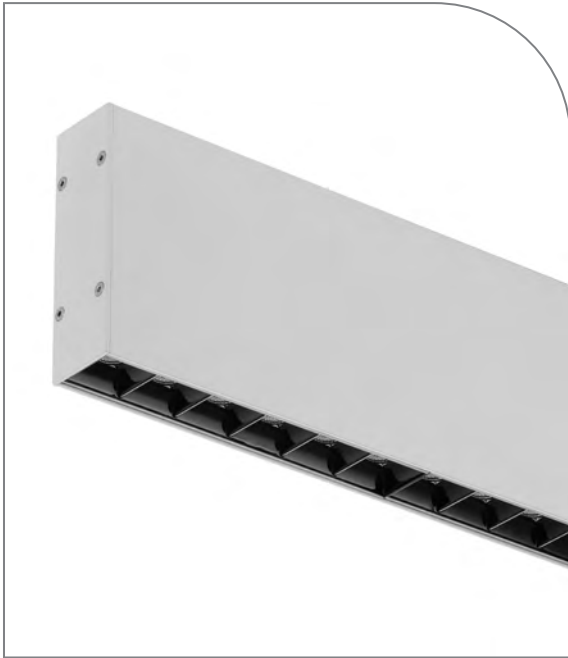


# specter

SPECTER STANDARD MODULES  
DROP DOT

**bold**  
lighting



DROP DOT

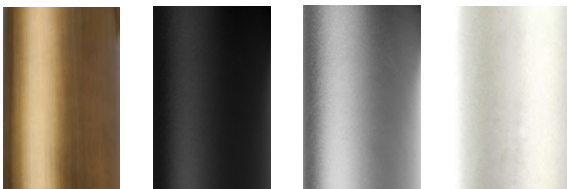
Our Magnetic track system, SPECTER, is a highly configurable, 2 circuits, 24VDC low voltage track system. Thanks to its magnet mounting technology, the modules are inter-changeable instantaneously. Our track is available in ceiling pendant, surface and recessed mounting for both ceiling and walls. SPECTER track is also available with an optional linear uplight feature. The Drop module offers a semi-recessed fixture configuration with wide range of optics allowing the illumination of both horizontal or vertical planes.

- Up to 1900lm delivered output
- Available in 12" sections
- Available in Low glare baffles
- Fixtures designed to mount in SPECTER track<sup>1</sup>
- Available in 4 standard finishes: Black, white, silver and bronze

Notes: <sup>1</sup> Available dimming 0-10V and DALI

Code example: **SPSF-D**12W-W-N827-2

## STANDARD FINISHES



**Z**

**B**

**S**

**W**

## DELIVERED LUMEN OUTPUT

Length	Watts	CRI +80				CRI +90			
		2700K	3000K	3500K	4000K	2700K	3000K	3500K	4000K
12"	16W	1413lm	1570lm	1727lm	1900lm	1139lm	1266lm	1393lm	1532lm

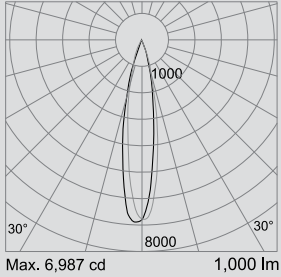
Series	Length		Body Finish		Baffle Finish		Beam Angle		CRI		Color Temp		Circuit					
<b>SPSF-D</b>	12	12"	<b>W</b>	White	<b>W</b>	White	<b>N</b>	12°	<b>8</b>	+80	<b>27</b>	2700K	<b>1</b>	1-Circuit				
			<b>B</b>	Black	<b>B</b>	Black	<b>M</b>	24°			<b>9</b>	+90			<b>30</b>	3000K	<b>2</b>	2-Circuit
			<b>S</b>	Silver	<b>S</b>	Silver	<b>F</b>	36°			<b>35</b>	3500K						
			<b>Z</b>	Bronze	<b>Z</b>	Bronze	<b>40</b>	4000K										
			<b>X</b>	Custom	<b>X</b>	Custom												



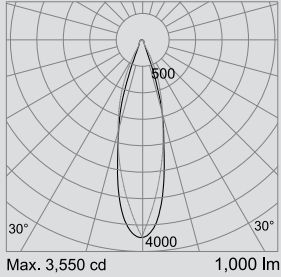
**Bold Lighting**  
4710 Ecton Dr., Marietta, GA 30066, USA  
info@boldlighting.us www.boldlighting.us  
t: +1-678-903-4061

Photometric data: Type C Polar Curves

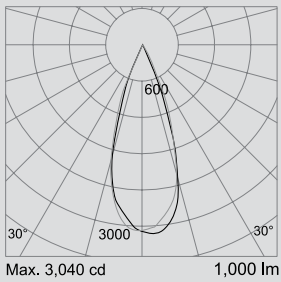
12° Beam Angle



24° Beam Angle



36° Beam Angle



DROP DOT

