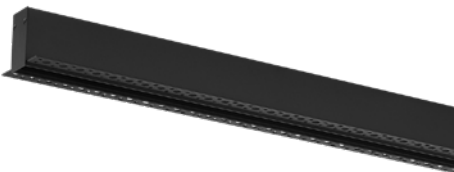




SPECTER magnetic track system allows unlimited design configurations. SPECTER can extend through spaces creating a neat and minimal, continuous slot, where all types of SPECTER fixtures can be installed, moved, removed or swapped in one hand motion, allowing a maximum design flexibility.

- Magnetic track system ensures wall and ceiling continuity
- Track system dedicated to SPECTER fixtures range
- Recessed trimless, millwork, surface mounted, pendant or pendant with uplight
- Supports 2 independent 24VDC Low voltage circuits
- Dimmable remote driver available in ELV, 0-10V and DALI
- Each track run can support up to 450W on one feed
- Track system is configured and made-to-size for your projects
- Pendant version available with uplight LED strip up to 500lm/ft
- 5 years limited warranty



RECESSED TRIMLESS TRACK



SURFACE/MILLWORK/PENDANT
PENDANT WITH UPLIGHT TRACK

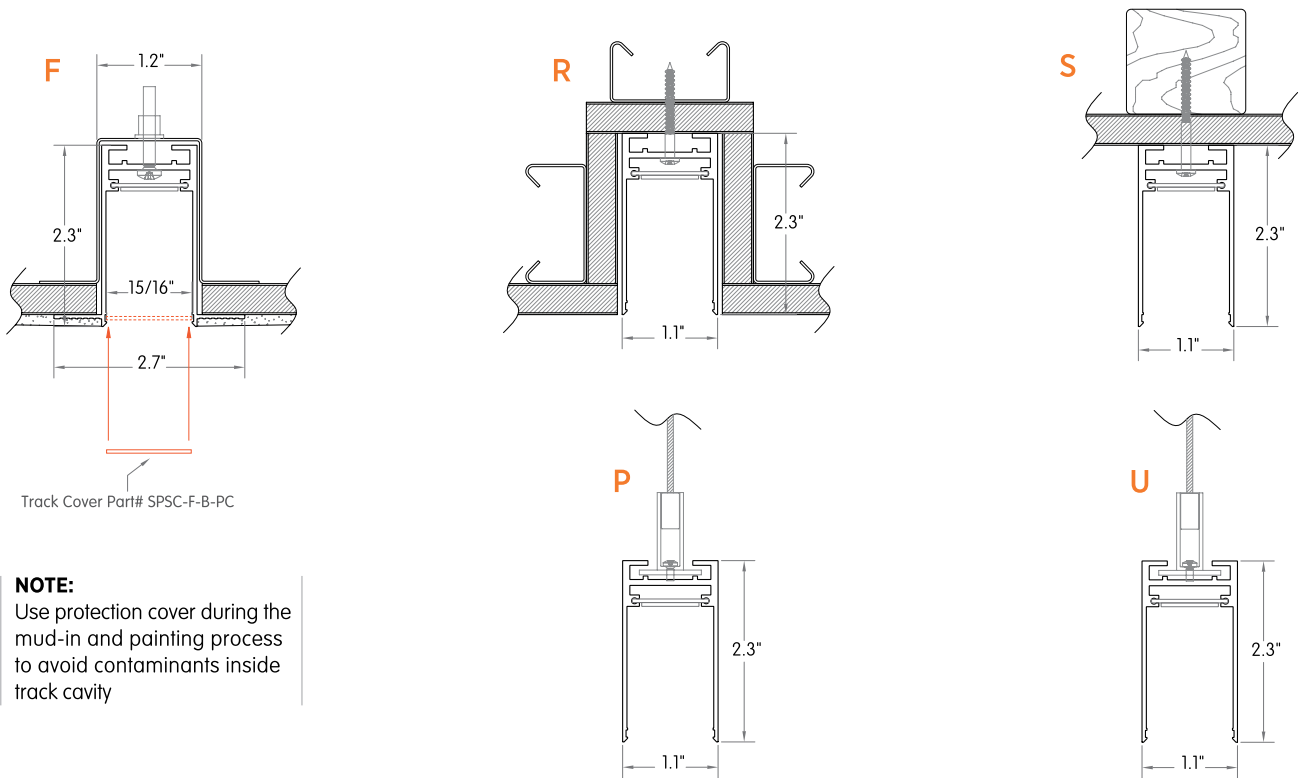
Code example:

SPMS-F02W-01-2

Series	Mounting	Nominal Length	Body Finish	Dimming	Circuit
SPMS	F Recessed Trimless	02 2 ^{2/5} in	W White	01 0-10V Dimming to 10%	1 1-Circuit
	R Recessed Millwork	04 4 ^{1/8} in	B Black	EL ELV Dimming to 10%	2 2-Circuit
	S Surface Mounted	05 5 ^{1/2} in	S Silver	DL Dali Dimming	
	P Pendant	18 18 ^{3/8} in	Z Bronze	XX Custom	
	U Pendant with Uplight	XX Custom	X Custom		
		For exact lengths refer to dimensions table.			

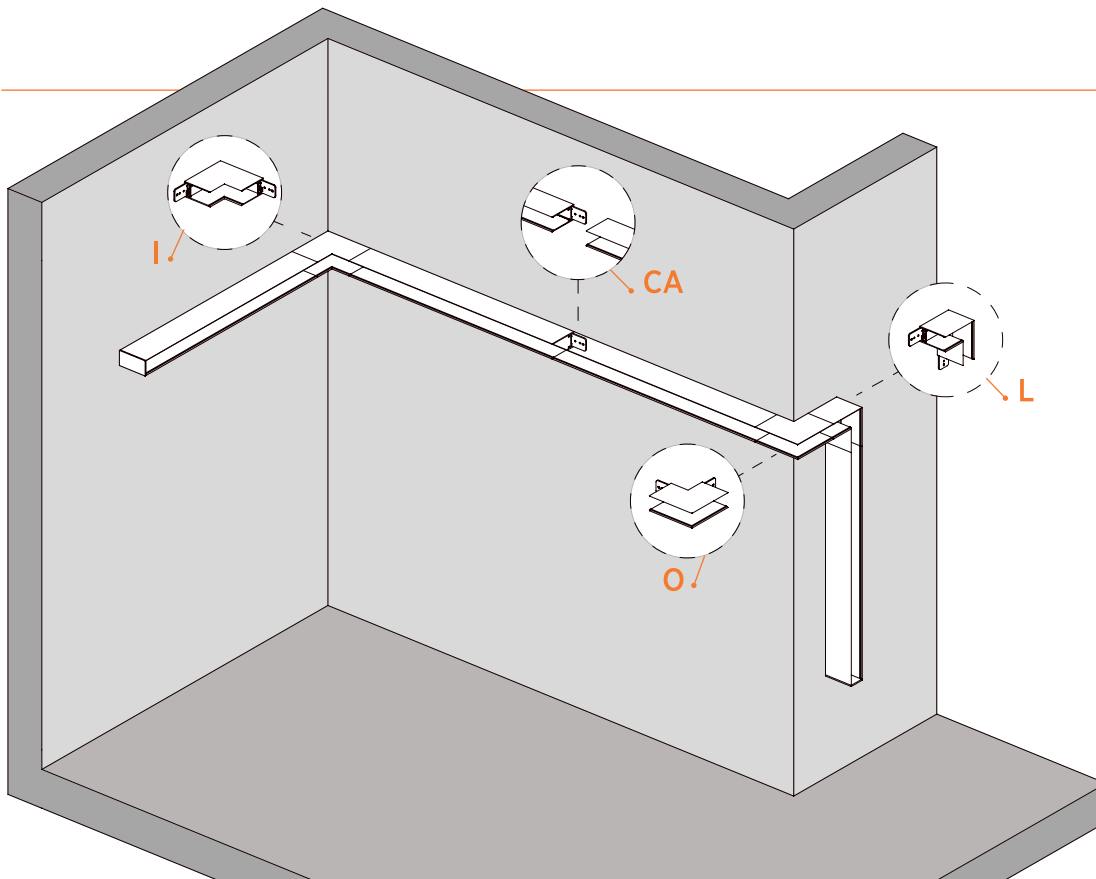
MOUNTING DETAILS

TRACK MOUNTING DETAILS



NOTE:
Use protection cover during the mud-in and painting process to avoid contaminants inside track cavity

SPECTER TRACK SYSTEM



SPSA ACCESSORIES



CA CONNECTION COUPLER A
CB CONNECTION COUPLER B



PA SUSPENSION KIT A
PB SUSPENSION KIT B



SPMS SPECTER TRACK



L "L" CORNER



IT INPUT TERMINAL



DP DECORATIVE PLATE



TR TRACK COVER



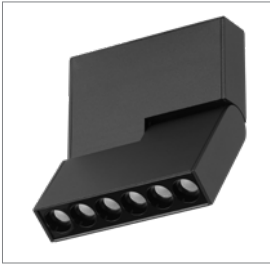
EC END CAP



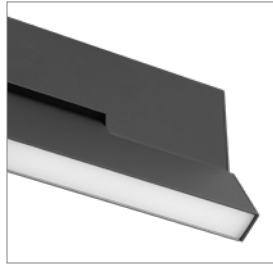
T "T" CONNECTOR

SPMS AVAILABLE MODULES

BREAK



BREAK DOT



BREAK LINE

SPSM-B04W-W-N827-2

SNOOT



SNOOT

SPMS-S15W-W-N827-2

SNOOT PENDANT



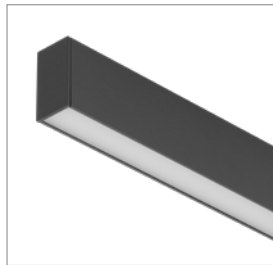
PENDANT

SPMS-P15W-W-N827-2

UNDROP



UNDROP DOT



UNDROP LINE

SPSM-U04W-W-N827-2