



SPECTER magnetic track system allows unlimited design configurations. SPECTER can extend through spaces creating a neat and minimal, continuous slot, where all types of SPECTER fixtures can be installed, moved, removed or swapped in one hand motion, allowing a maximum design flexibility.

- Magnetic track system ensures wall and ceiling continuity
- Track system dedicated to SPECTER fixtures range
- Recessed millwork, surface mounted, pendant or pendant with uplight
- Supports 2 independent 24VDC Low voltage circuits
- Dimmable remote driver available in ELV, 0-10V and DALI
- Each track run can support up to 450W on one feed
- Track system is configured and made-to-size for your projects
- Pendant version available with uplight LED strip up to 500lm/ft
- 5 years limited warrant
- Standard 36" diameter curve



CIRCULAR PROFILE



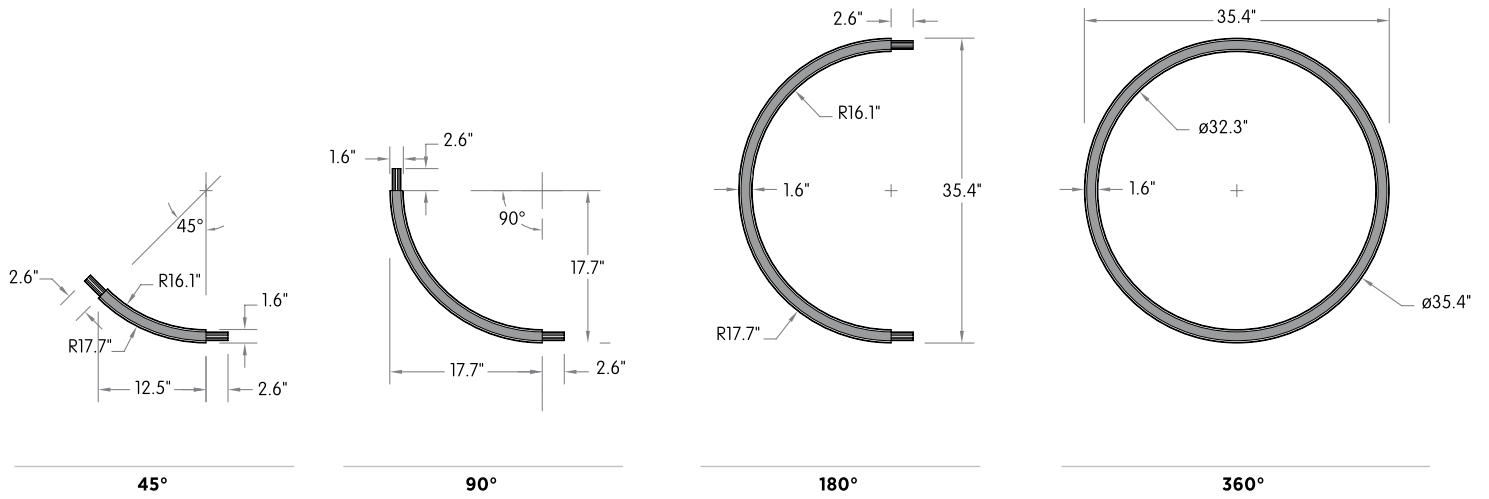
HALF CIRCLE TRACK

Code example: **SPCS** - R45W-01-2

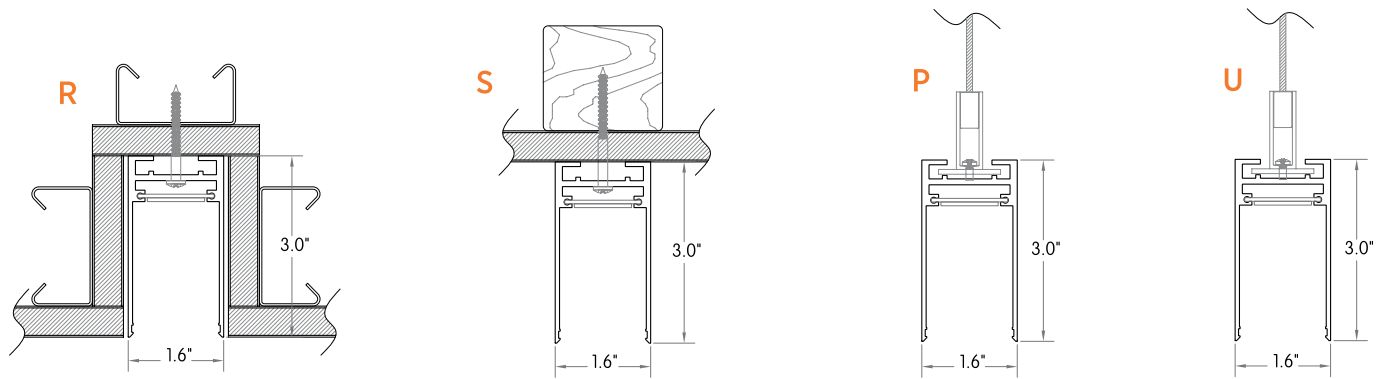
Series	Mounting	Nominal Arc Angle	Body Finish	Dimming	Circuit
SPCS	R Recessed Millwork	45 45°	W White	01 0-10V Dimming to 10%	1 1-Circuit
	S Surface Mounted	90 90°	B Black	EL ELV Dimming to 10%	2 2-Circuit
	P Pendant	18 180°	S Silver	DL Dali Dimming	
	U Pendant with Uplight	36 360°	Z Bronze	XX Custom	
		XX Custom	X Custom		
For exact lengths refer to dimensions table.					

MOUNTING DETAILS

CIRCULAR TRACK

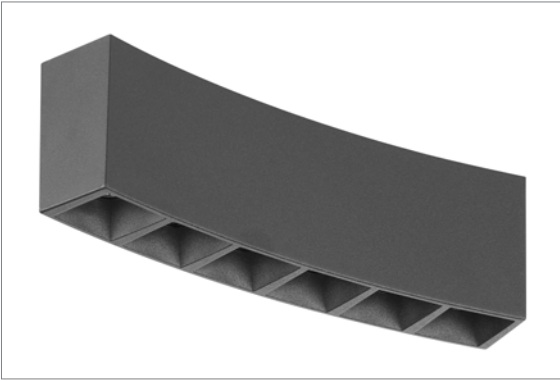


TRACK MOUNTING DETAILS



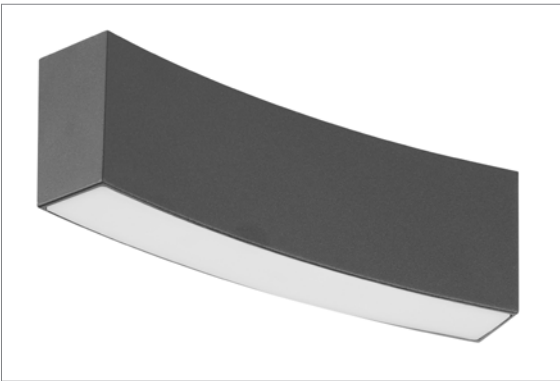
SPCS AVAILABLE MODULES

UNDROP DOT



SPSH-U04W-W-N827-2

UNDROP LINE



SPSH-O06W-W-L827-2

SNOOT



SNOOT

SPSH-S15W-W-N827-2

SNOOT PENDANT



SPSH-P20W-W-N827-2