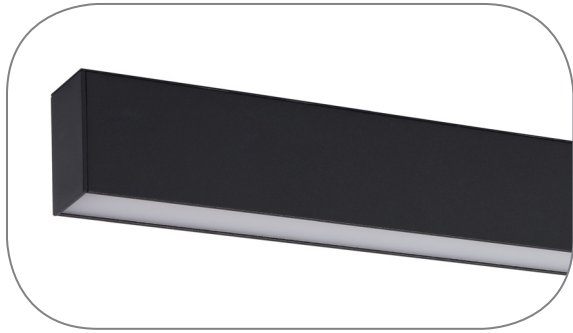
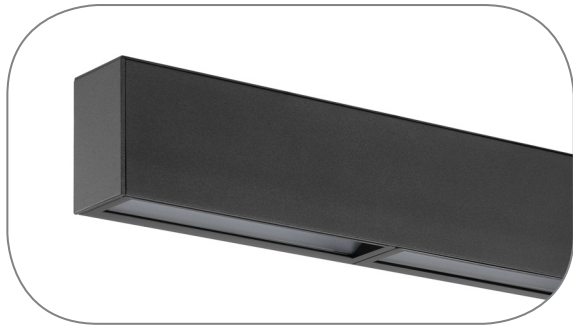


UNDROP

UNDROP line, dot & wash



UNDROP LINE



UNDROP WASHER



UNDROP DOT

Our Magnetic track system, SPECTER, is a highly configurable, 2 circuits, 24VDC low voltage track system. Thanks to its magnet mounting technology, the modules are inter-changeable instantaneously. Our track is available in ceiling pendant, surface and recessed mounting for both ceiling and walls. SPECTER track is also available with an optional linear uplight feature.

The Undrop module offers a quietly recessed fixture configuration, flush with the face of the track. It comes with a wide range of lengths and optics, allowing the illumination of both horizontal or vertical planes, at different ceiling heights, ranging from a single level to a tall triple level atrium.

- Up to 3,700lm delivered output
- Available in various length from 3" to 36" sections
- Available in Low glare baffles and Opal lens
- Fixtures designed to mount in SPECTER track
- Available in 4 standard finishes: Black, white, silver and bronze

Notes: Track available in 0-10V, ELV and DALI dimming

Code example:

UND - 3 - 9 2 7 - M - B L

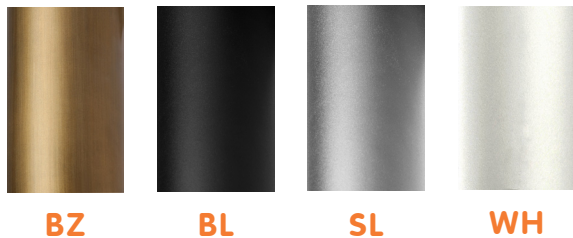
Length / Output*			CRI	CCT.	Beam	Finish
3	Length 3"	500lm (4W)	8 +80	27 2700K	N 12°	WH Flat White
6	Length 6"	1000lm (8W)	9 +90	30 3000K	M 24°	BL Flat Black
12	Length 12"	1800lm (16W)		35 3500K	F 36°	SL Silver
24 ³	Length 24"	2800lm (26W)		40 4000K	L ¹ 120°	BZ Bronze
36 ³	Length 36"	4100lm (39W)			W ² Wallwash	

Notes: 1 only for Undrop line (OPAL)
2 only for Undrop washer

Delivered Lumen Output

Length	Watts	CRI +80			CRI +90		
		2700K	3000K	4000K	2700K	3000K	4000K
3"	5W	420lm	467lm	549lm	381lm	423lm	498lm
6"	8W	730lm	811lm	954lm	680lm	756lm	889lm
12"	12W	1570lm	1744lm	2052lm	1380lm	1533lm	1804lm
24"	26W	1715lm	1906lm	2240lm	1645lm	1828lm	2150lm
36"	39W	3700lm	4111lm	4837lm	3590lm	3989lm	4693lm

Standard Finishes



LABELS:

ETL tested to UL standards 2108, Dry Location

CE Certified

WARRANTY: 5 year limited on LED and driver. See website for details

Bold Lighting
Atlanta, Georgia, USA
www.boldlighting.us

e: info@boldlighting.us t: +1-833-BOLD-1-US +1-833-265-3187

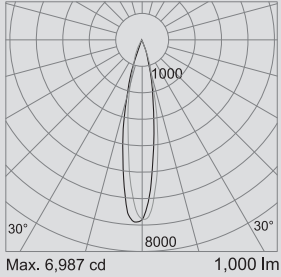
UNDROP

UNDROP line, dot & wash

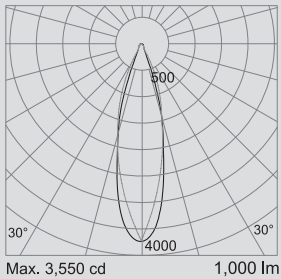


Photometric data: Type C Polar Curves

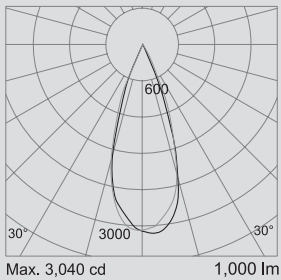
12° Beam Angle



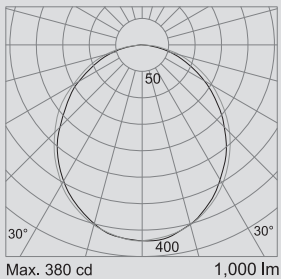
24° Beam Angle



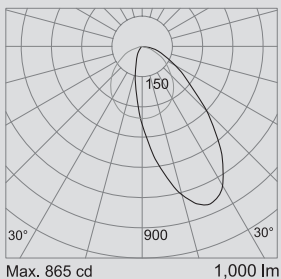
36° Beam Angle



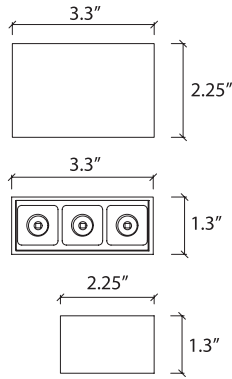
120° Beam Angle (Lambertian)



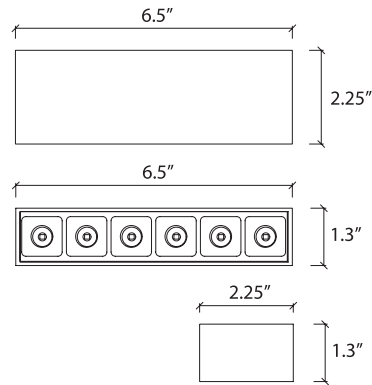
Wallwash Beam



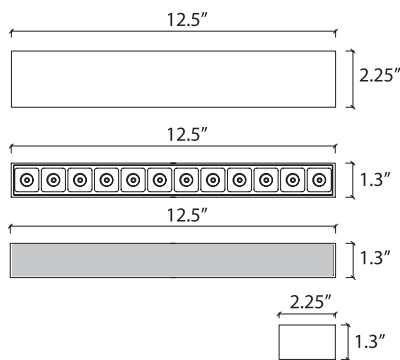
UNDROP DOT 3



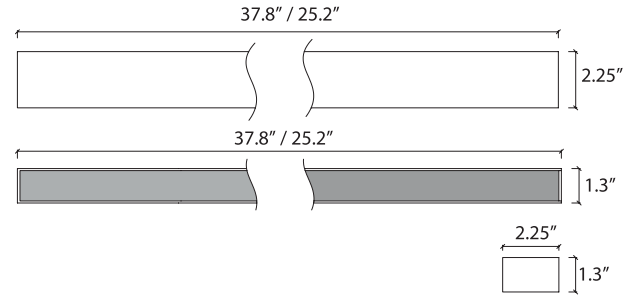
UNDROP DOT 6



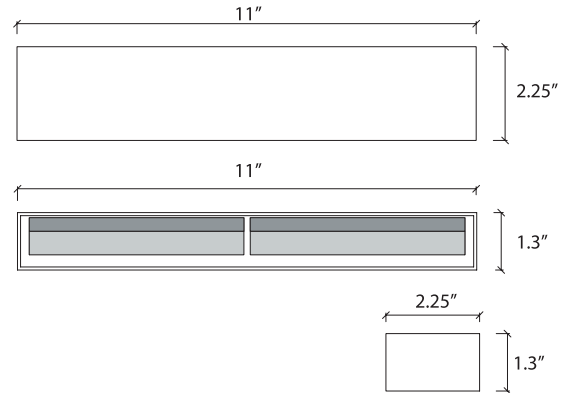
UNDROP DOT-LINE 12



UNDROP LINE 36 / 24



UNDROP WASHER 12



UNDROP WASHER 6

