

SPECTER

TRACK



RECESSED TRIMLESS TRACK



SURFACE/PENDANT TRACK



CIRCULAR TRACK

SPECTER magnetic track system, allows unlimited design configurations. SPECTER can extend through spaces creating a neat and minimal, continuous slot, where all types of SPECTER fixtures can be installed, moved, removed or swapped in one hand motion, allowing a maximum design flexibility.

- Magnetic track system ensures Wall and ceiling continuity
- Track system dedicated to SPECTER fixtures range
- Recessed trimless, millwork, surface mounted or pendant
- Supports 2 independant 24VDC Low voltage circuits
- Dimmable remote driver available in ELV, 0-10V and DALI
- Each track run can support up to 450W on one feed
- Track system is configured and made-to-size for your projects
- Pendant version available with uplight LED strip up to 500lm/ft
- 5 years limited warranty

Code example:

SPT - PF - BL - 01

Series	Track Mount	Track Color	Dimming
SPT	PF	Recessed Plaster Flange	BL Black 01 0-10V Dimming to 10%
	RM	Recessed Millwork	WH White EL ELV Dimming to 10%
	SM	Surface Mounted	SL Silver DL DALI Dimming
	PD	Pendant	BZ Bronze
	PU	Pendant With Uplight	

Code example:

CSPT - SM - 180 - BL - 01

Series	Track Mount	Shape	Track Color	Dimming
CSPT	RM	Recessed Millwork	360 360°	BL Black 01 0-10V Dimming
	SM	Surface Mounted	180 180°	WH White EL ELV Dimming
	PD	Pendant	90 90°	SL Silver DL DALI Dimming
	PU	Pendant With Uplight	45 45°	BZ Bronze

Notes:

¹ Denotes output specific to Dim-to-Warm feature.

² Dim-to-Warm only available in CRI +90

³ Tunable White available in 0-10V, DMX and DALI
Check with Factory for Lead-times.

Bold Lighting reserves the right to make technical changes without notice.

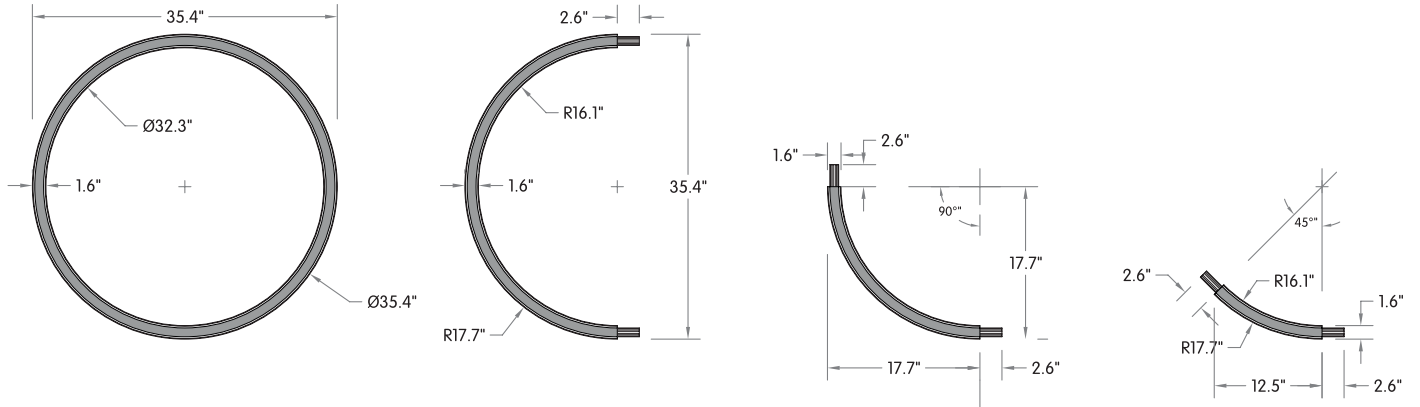


SPECTER

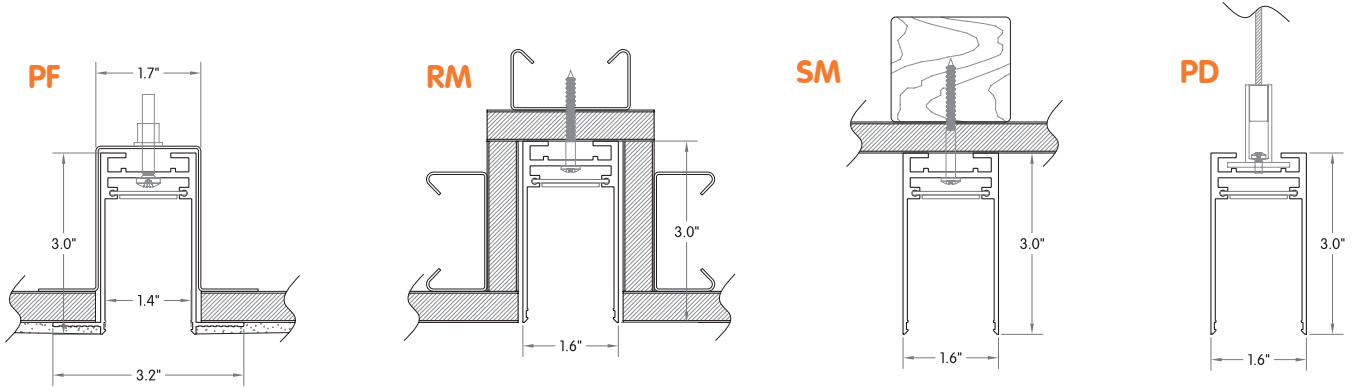
TRACK

bold
lighting

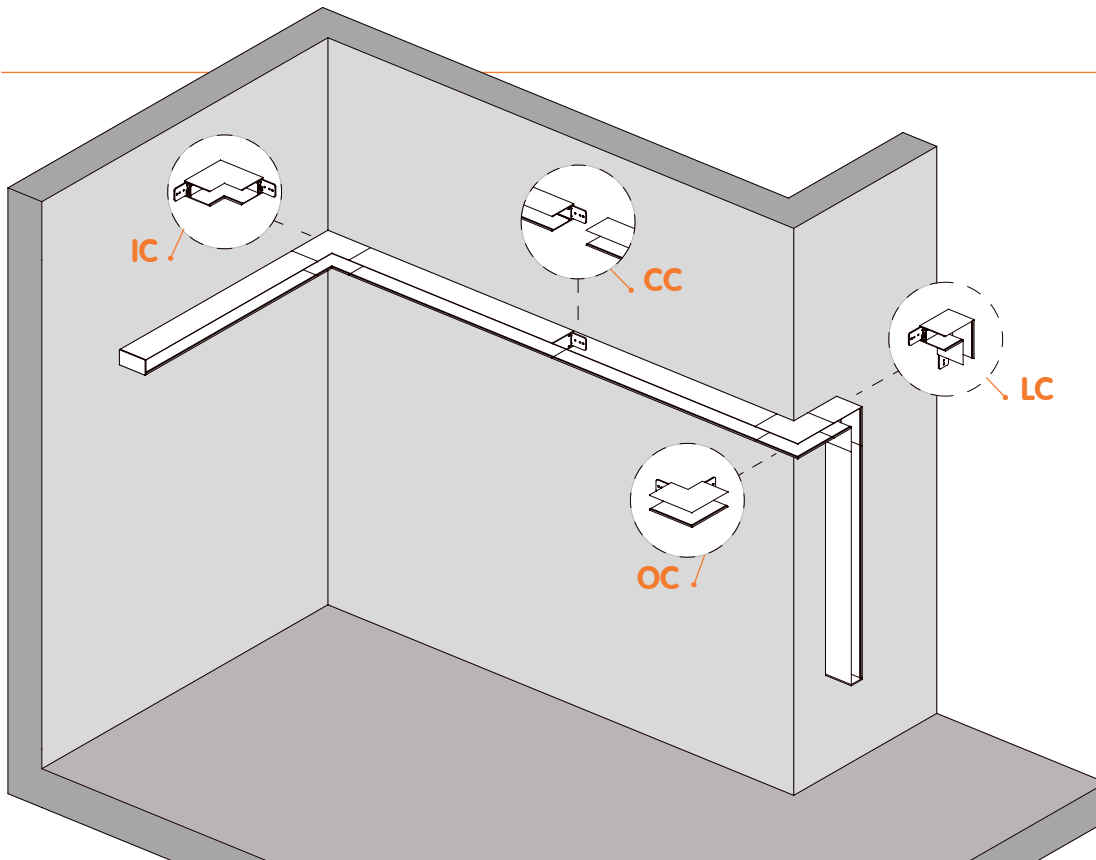
CIRCULAR TRACK



TRACK MOUNTING DETAILS



SPECTER TRACK SYSTEM



Bold Lighting
Atlanta, Georgia, USA
www.boldlighting.us
e: info@boldlighting.us
t: +1-833-BOLD-1-US +1-833-265-3187

SPECTER

TRACK

bold
lighting



CC CONNECTION COUPLER



SK SUSPENSION KIT



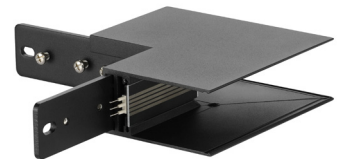
SPT SPECTER TRACK



LC "L" CORNER



IC INNER CORNER



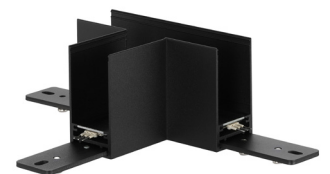
OC OUTER CORNER



AC ANGLE CONNECTOR



XC CROSS CONNECTOR



TC "T" CONNECTOR

LABELS:



ETL tested to UL standards 1598, Dry Listing, IC/Airtight, compliant.



CE Certified



CCC Certified to GB7000

WARRANTY: 5 year limited on LED and driver. See website for details

Bold Lighting
Atlanta, Georgia, USA
www.boldlighting.us
e: info@boldlighting.us t: +1-833-BOLD-1-US +1-833-265-3187