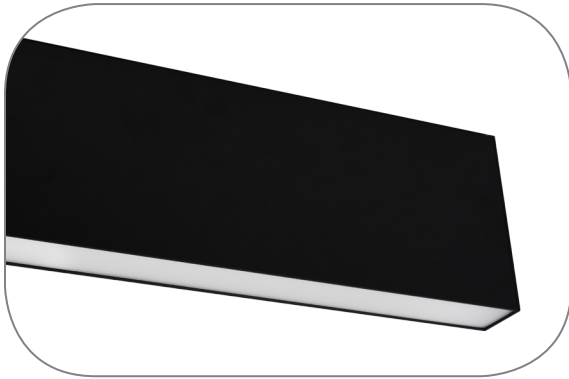


DROP

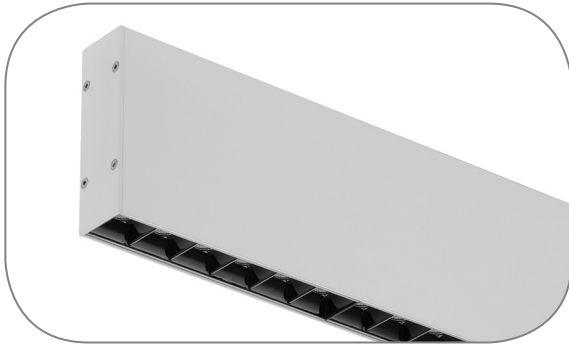
DROP line, dot & wash



DROP LINE



DROP WASHER



DROP DOT

Our Magnetic track system, SPECTER, is a highly configurable, 2 circuits, 24VDC low voltage track system. Thanks to its magnet mounting technology, the modules are inter-changeable instantaneously. Our track is available in ceiling pendant, surface and recessed mounting for both ceiling and walls. SPECTER track is also available with an optional linear uplight feature.

The Drop module offers a semi-recessed fixture configuration with wide range of optics allowing the illumination of both horizontal or vertical planes.

- Up to 1,800lm delivered output
- Available in 12" sections
- Available in Low glare baffles and Opal lens
- Fixtures designed to mount in SPECTER track
- Available in 4 standard finishes: Black, white, silver and bronze

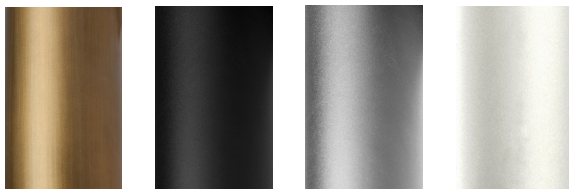
Notes: Track available in 0-10V, ELV and DALI dimming

Code example:

DRP - 3 - 9 2 7 - M - B L

Length / Output*		CRI		CCT.		Beam		Finish	
12	Length 12" 1800lm (16W)	8	+80	27	2700K	N	12°	WH	Flat White
		9	+90	30	3000K	M	24°	BL	Flat Black
				35	3500K	F	36°	SL	Silver
		40	4000K	L ¹	120°	BZ	Bronze		
						W ²	Wallwash		

Standard Finishes



BZ

BL

SL

WH

LABELS:

ETL tested to UL standards 2108, Dry Location

CE Certified

WARRANTY: 5 year limited on LED and driver. See website for details

Notes: 1 only for Undrop line (OPAL)
2 only for Undrop washer

Delivered Lumen Output

Length	Watts	CRI +80			CRI +90		
		2700K	3000K	4000K	2700K	3000K	4000K
12"	12W	1570lm	1744lm	2052lm	1380lm	1533lm	1804lm

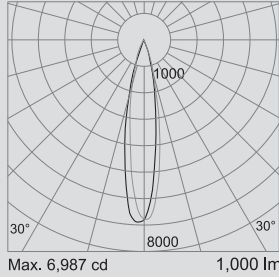
DROP

DROP line, dot & wash

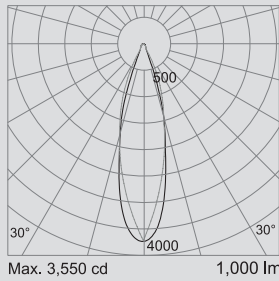


Photometric data: Type C Polar Curves

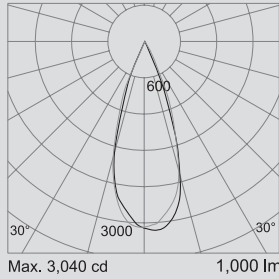
12° Beam Angle



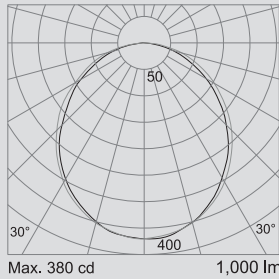
24° Beam Angle



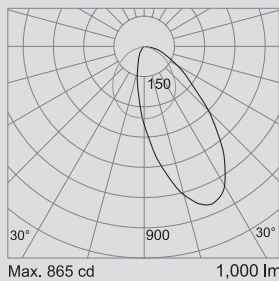
36° Beam Angle



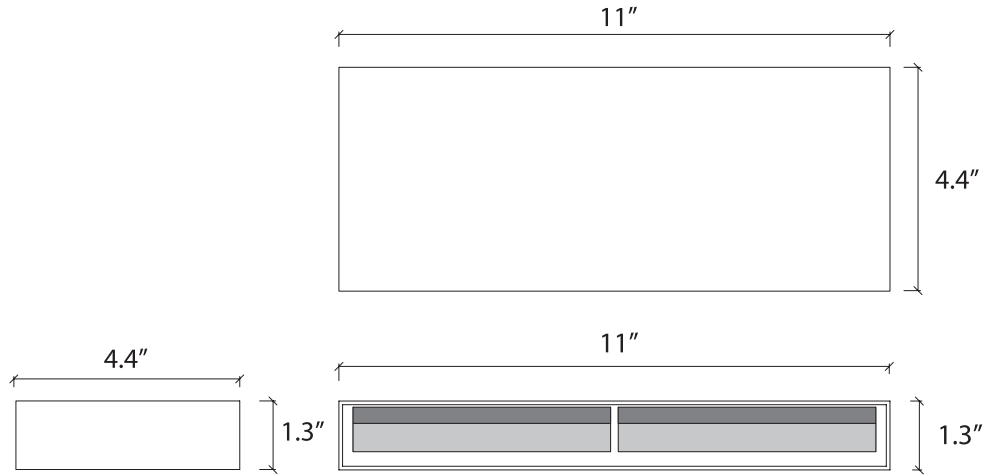
120° Beam Angle (Lambertian)



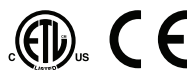
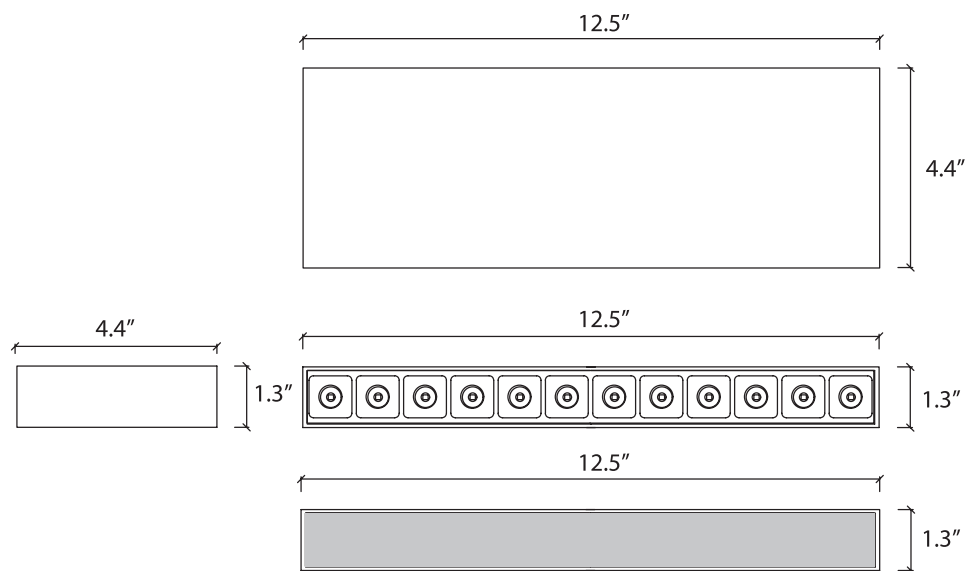
Wallwash Beam



DROP WASHER



DROP DOT - LINE



Bold Lighting
Atlanta, Georgia, USA
www.boldlighting.us
e: info@boldlighting.us t: +1-833-BOLD-1-US +1-833-265-3187