

# BREAK

BREAK 3, 6 & 12

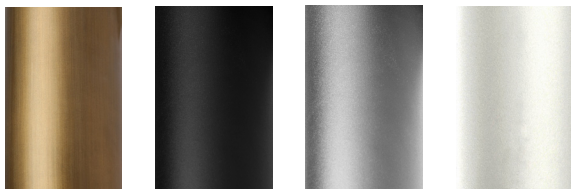


BREAK WITH BAFFLE



BREAK OPAL

## Standard Finishes



**BZ**

**BL**

**SL**

**WH**

## LABELS:



ETL tested to UL standards 2108, Dry Location



CE Certified

WARRANTY: 5 year limited on LED and driver. See website for details

Our Magnetic track system, SPECTER, is a highly configurable, 2 circuits, 24VDC low voltage track system. Thanks to its magnet mounting technology, the modules are inter-changeable instantaneously. Our track is available in ceiling pendant, surface and recessed mounting for both ceiling and walls. SPECTER track is also available with an optional linear uplight feature.

The BREAK module offers a wide range of optics along with a tilt up to 90° allowing the illumination of both horizontal or vertical planes.

- Up to 1,800lm delivered output
- Available in 3 sizes, 3", 6" and 12"
- Adjustable tilt to 90°
- Available in Low glare baffles and Opal lens
- 4 beam options, narrow, medium, wide and lambertian<sup>1</sup>
- Fixtures designed to mount in SPECTER track
- For fixture dimming refer to track driver specifications<sup>2</sup>
- Available in 4 standard finishes: Black, white, silver and bronze

Notes: Track available in 0-10V, ELV and DALI dimming

## Code example:

**BRK**-3-927-M-BL

Length / Output*		CRI	Color Temp.	Beam	Finish
3	Length 3" 500lm (4W)	8 +80	27 2700K	N 12°	WH Flat White
6	Length 6" 1000lm (8W)	9 +90	30 3000K	M 24°	BL Flat Black
12	Length 12" 1800lm (16W)		35 3500K	F 36°	SL Silver
			40 4000K	L <sup>1</sup> 120°	BZ Bronze

Notes: 1 Lambertian distribution only

## Delivered Lumen Output

available in Opal,

Length	Watts	CRI +80			CRI +90		
		2700K	3000K	4000K	2700K	3000K	4000K
3"	5W	420lm	467lm	549lm	381lm	423lm	498lm
6"	8W	730lm	811lm	954lm	680lm	756lm	889lm
12"	12W	1570lm	1744lm	2052lm	1380lm	1533lm	1804lm

Bold Lighting

Atlanta, Georgia, USA

www.boldlighting.us

e: info@boldlighting.us

t: +1-833-BOLD-1-US +1-833-265-3187

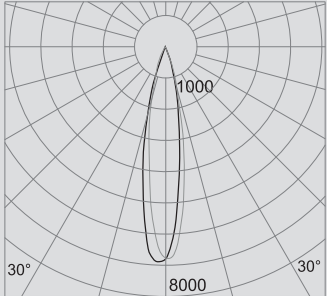
# BREAK

BREAK 3, 6 & 12



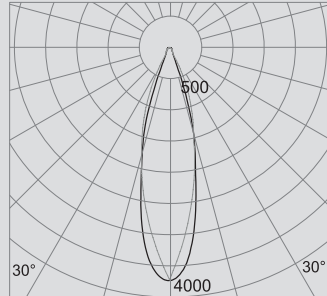
Photometric data: Type C Polar Curves

12° Beam Angle



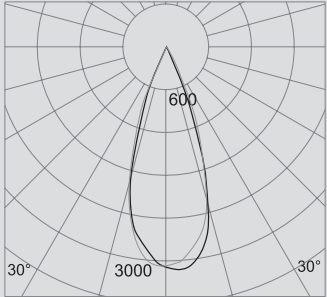
Max. 6,987 cd 1,000 lm

24° Beam Angle



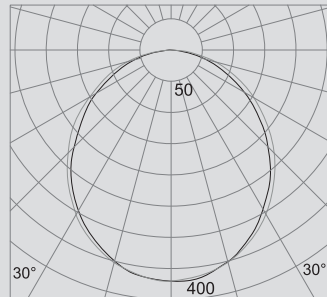
Max. 3,550 cd 1,000 lm

36° Beam Angle



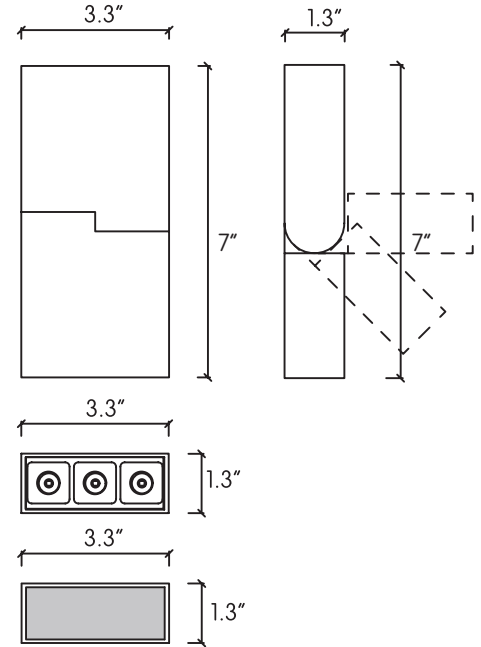
Max. 3,040 cd 1,000 lm

120° Beam Angle (Lambertian)

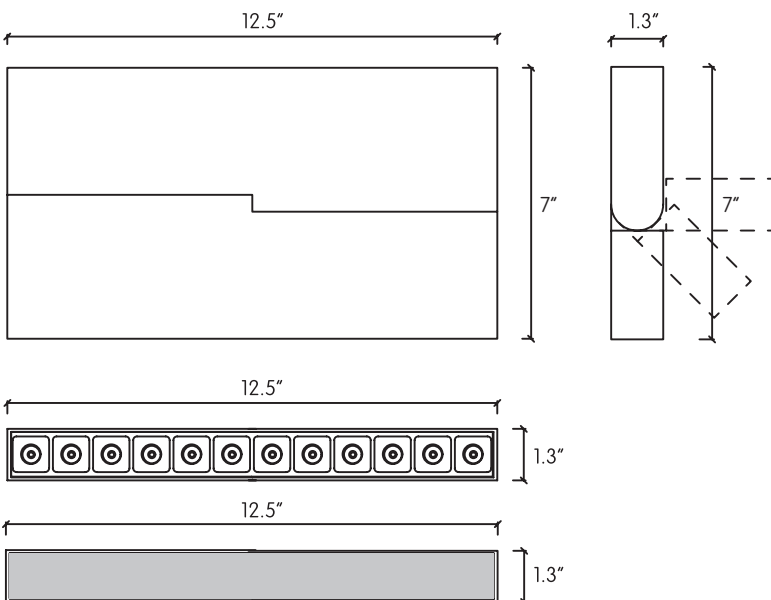


Max. 380 cd 1,000 lm

## BREAK 3



## BREAK 12



## BREAK 6

