

ghost

INTANGIBLE PRESENCE

by

bold






The cutsheet part number configurator will not function properly when using a PDF browser. Please use it with PDF software on your computer.



Ghost is a unique optical lighting system designed to disappear in a narrow 1" slot. The optics are deeply regressed to give the impression of a slim void and the mud flange provides a trimless integration in gypsum ceilings, also available with trim option. Ghost relies on indirect light reflectors and double focus lens technology to achieve glare-free optics. It offers an infinite number of optical iterations allowing transitions from a fixed downlight to an adjustable downlight, to a single wallwash and even to a double wallwash. All these optics are integrated into a compact slot for an outstanding quiet lighting effect.

- Discreet and regressed source of light
- UGR <10
- Multi-Optics configurations
- Fixed Downlight, Wallwash, and Adjustable Accent from a 30mm Slot
- Unobstructed complete beams even with 40° tilt

PRODUCT CONFIGURATION :

Series	Mounting	Nominal Length ¹	Body Finish	Wallwash ²	Wallwash Output	Downlight Options	Downlight Output	Beam Angle
GI	R Recessed with Trim	1 6"	W White	W0 	L 4W/ft	0 0 per module	L 4W	S 10°
	T Recessed Trimless	2 12"	B Black					
			G Grey	W2 	2 2 per module		F 36°	
			X Custom RAL	W4 				

Adjustable Options	Adjustable Output	Beam Angle	Voltage	Dimming	CRI	Color Temp	Emergency
0 0 per module	L 4W	S 10°	1 120V	A No Dimming	9 +90	27 2700K	0 no
1 1 per module	M 8W	M 24°	U³ Universal 120V to 277V	B 0-10V to 1%		30 3000K	9 90 mins
		F 36°		C 0-10V to Fade-off		35 3500K	
				D DALI to 1%		40 4000K	
				E ELV Dimming			
				F DMX			
				G⁴ LUTRON			

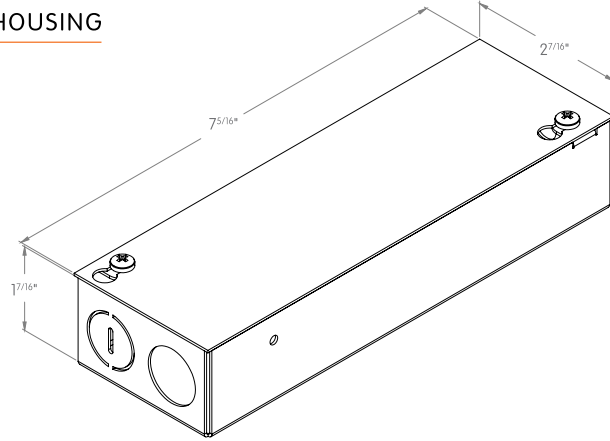
Notes:

- ¹ For exact lengths refer to dimensions table.
- ² Double the output for the both sides case.
- ³ Not applicable for ELV dimming.
- ⁴ Hi-lume 1% EcoSystem Soft-on, Fade-to-Black dimming.

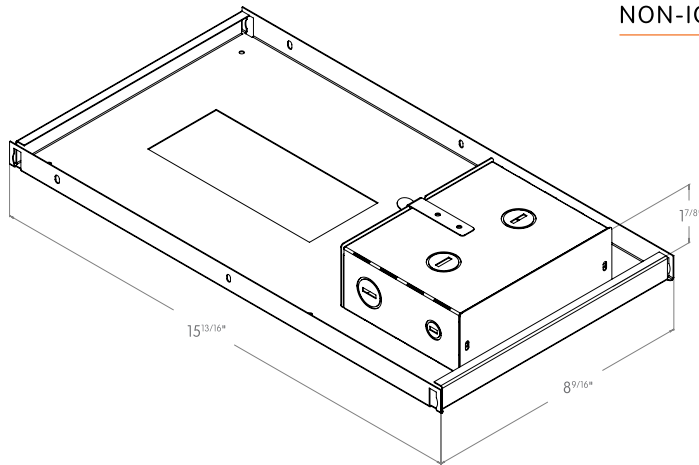
Consult factory for lead-times.
Consult factory for systems using multiple optics and mounting configurations.



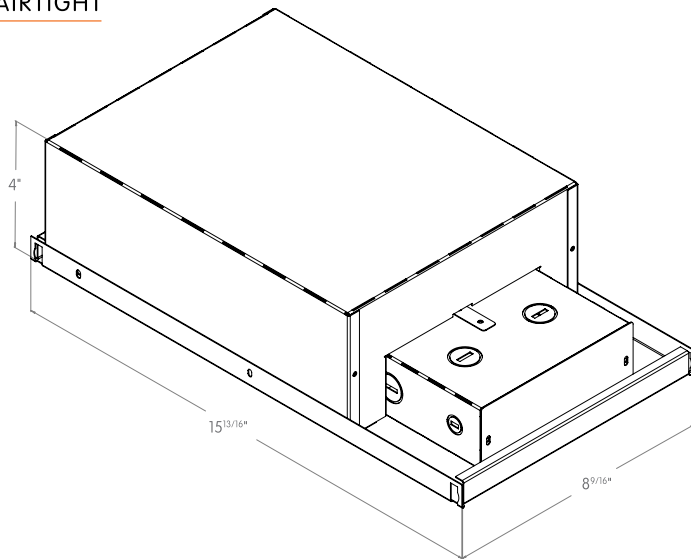
REMODEL HOUSING



NON-IC HOUSING

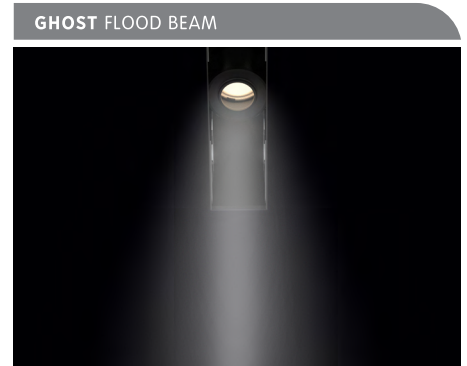
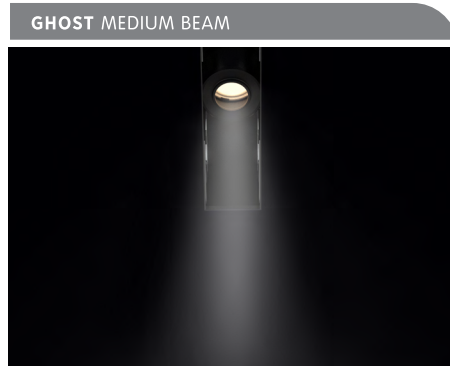
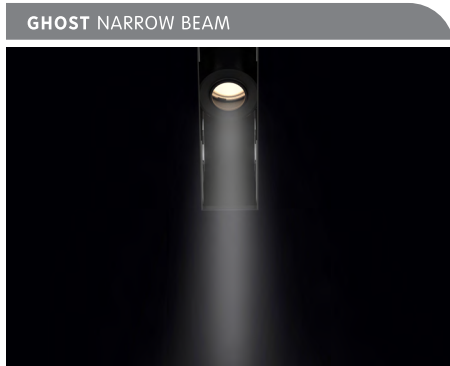


IC HOUSING & AIRTIGHT

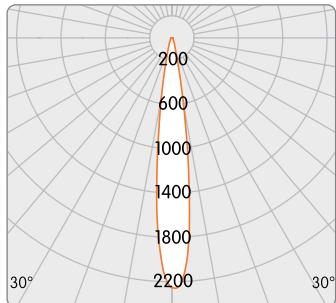


OPTICAL FLEXIBILITY

Photometric data: Fixed and Adjustable Polar Curves



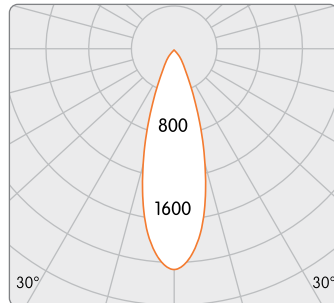
Narrow 10°



Max. 2,350 cd 1,000 lm

The narrow 10° beam is ideal for high-ceiling applications and for emphasizing texture on vertical surfaces and architectural elements.

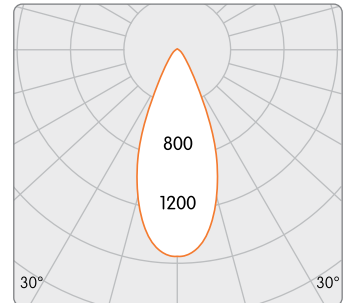
Medium 24°



Max. 2,055 cd 870 lm

The medium 24° beam is a versatile distribution that works in a wide range of applications and spaces. This optic is a nice balance between light punch and ambient uniformity.

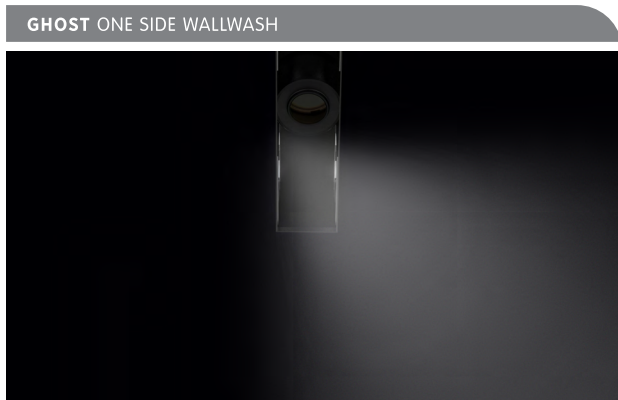
Flood 36°



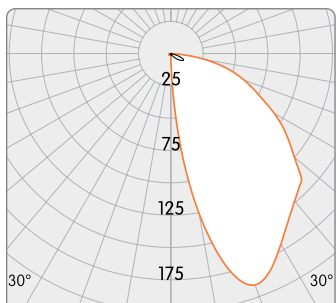
Max. 1,530 cd 870 lm

A 36° flood beam is the optimal option for achieving efficient ambient lighting with excellent uniformity and very low glare.

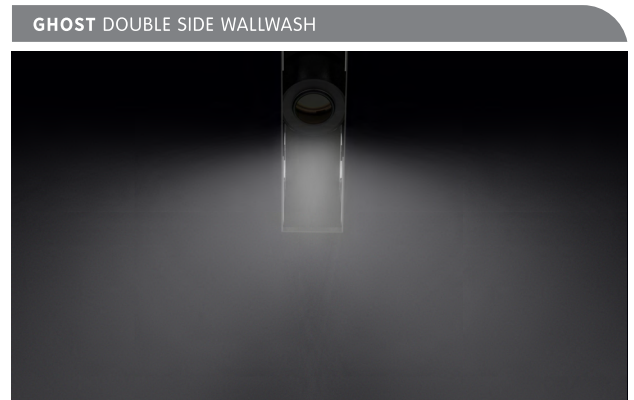
Photometric data: Wallwash Polar Curve



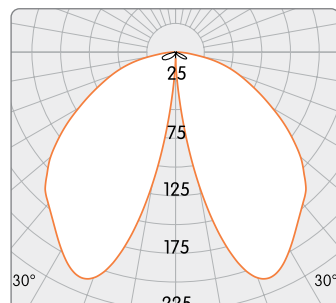
One side Wallwash



Max. 190 cd 500 lm



Double side Wallwash



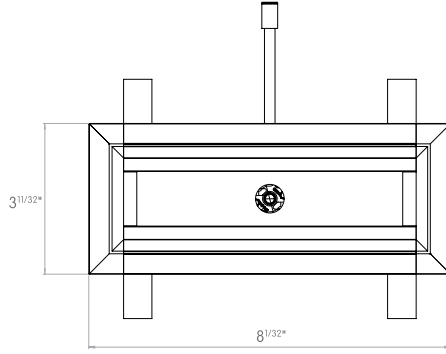
Max. 190 cd 500 lm

Ghost wallwash provides even illumination of vertical surfaces. This optic is ideal for washing large areas where exceptional uniformity is required.

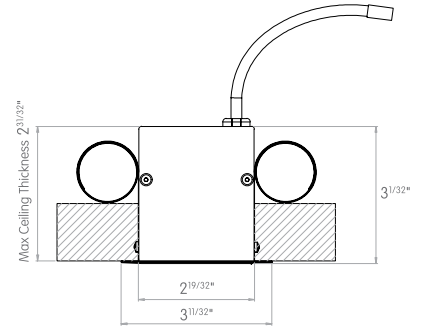


MOUNTING FLEXIBILITY

FIXED WITH TRIM

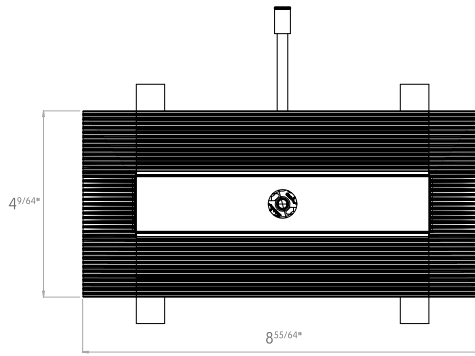


TOP VIEW

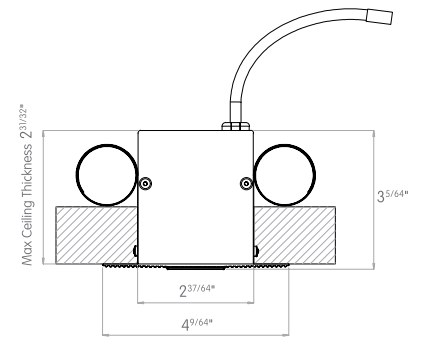


FRONT VIEW

FIXED TRIMLESS

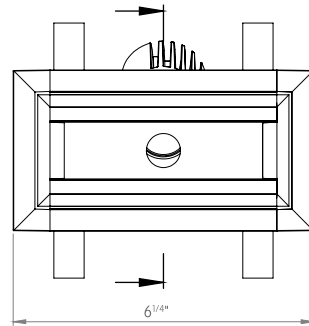
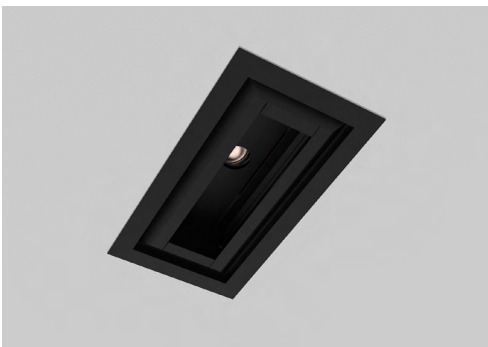


TOP VIEW

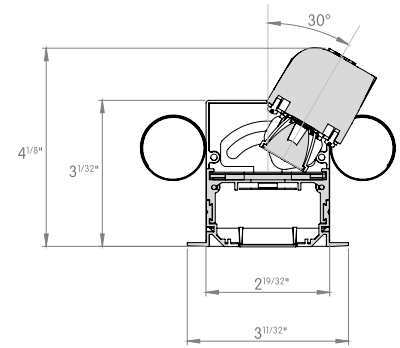


FRONT VIEW

ADJUSTABLE WITH TRIM

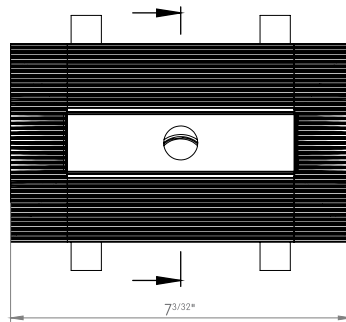


TOP VIEW

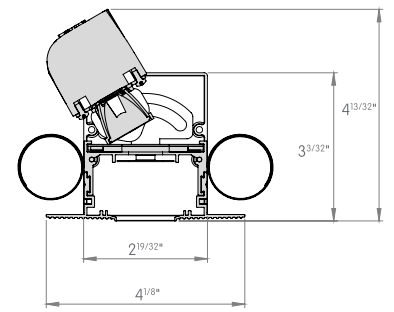


FRONT VIEW

ADJUSTABLE TRIMLESS



TOP VIEW



FRONT VIEW



DELIVERED LUMEN OUTPUT

Output	Watts	CRI +90			
APPLICATION	4W	2700K	3000K	3500K	4000K
Wallwash	4W	300lm	320lm	330lm	340lm
Fixed Downlight	4W	320lm	335lm	350lm	360lm
Adjustable Downlight	4W	320lm	335lm	350lm	360lm
	8W	2700K	3000K	3500K	4000K
Wallwash	8W	580lm	600lm	630lm	640lm
Fixed Downlight	8W	630lm	650lm	680lm	700lm
Adjustable Downlight	8W	630lm	650lm	680lm	700lm

Wallwash and Downlight Isolux

