



Spec-grade performance LED downlights. Optimal for hospitality, commercial, high-end residential and corporate projects.

The Chameleon R4 downlights offer a high output, precise optics, a wide range of mounting options, reflector finishes, and optical accessories.

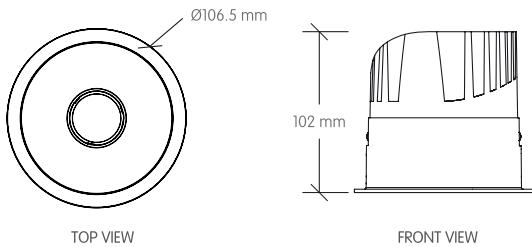
- Up to 2,000lm delivered output
- Trim, trimless and millwork mounting options
- High CRI, up to +97 CRI, available upon request
- Dim-to-Warm capability 3000K to 1800K
- Tunable White capability 2700K to 5000K
- Wide Range of optical options
- 5 years limited warranty
- Chicago plenum rated

* Downlight is inherently IC rated per ETL testing to UL1598 standard and can be installed without a housing when specified with Standard Output (11 Watts). LED driver current is factory set at 260mA.

HOUSING SPECS

Code example: **C4-L10R9**

Series	Power/Output	Voltage	Control	Housing	Emergency
C4	L ¹ 10W (850lm)	1 120V	0 Non-Dim	R Remodel	N No
	M ¹ 12W (1150lm)	U ⁵ Universal 120V to 277V	1 0-10 to 1%	N Non-IC	9 90 mins
	H ¹ 18W (1450lm)		2 0-10 fade-off	I ⁶ IC	
	V ¹ 22W (2010lm)		D Dali	A ⁶ Airtight	
	D ² 10W (705lm)		P Phase ELV & Triac	O No Housing	
	W ² 18W (1375lm)		L Lutron		
	U ³ 10W (745lm)		X DMX		
	A ³ 18W (1040lm)				
	C ⁴ 16W (280lm)				



MODULE SPECS

The Module should have the same Power as the Housing

Code example: **C4-LR0-PW-WW-S927-0-N**

P/O	Mounting	Trim Color	Ref. Color	IP Rating	Optics Type	LED CRI	LED CCT	Accessories (Primary)	Accessories (Secondary)
C4	R0 Round Trimless	P W White	W White	D Dry	S 12°	9 90	27 2700K	0 No Accessories	N No Accessories
	R1 Round Trim	B Black	B Black	W Wet	M 24°	H Thrive	30 3000K	C Clear Lens	T Clear Lens
	R2 Round Trim with Constant Force Spring	X Custom RAL	X Custom RAL		F 36°		35 3500K	D ⁸ Diffuse lens	L Diffuse lens
	R3 Round Millwork	P Field Paintable	P Field Paintable				40 4000K	E ⁹ Elliptical Lens	F Solite Lens
							WD 3000K - 1800K	H Honeycomb Lens	
							TW ⁷ 2700K - 5000K	S Solite Lens	
							CC RGBW	M Mixing	

Notes:

- ¹ Denotes output at 3000K, unless otherwise noted.
- ² Denotes output specific to Dim-to-Warm at 3000K.
- ³ Denotes output specific to Tunable White at full on.
- ⁴ Denotes output at White, 3000K.
- ⁵ Not applicable for ELV dimming.
- ⁶ Chicago Plenum rated.
- ⁷ Tunable White available in 0-10V, DMX and DALI.
- ⁸ Diffuse lenses available in different angles.
- ⁹ Elliptical lenses available in different angles.

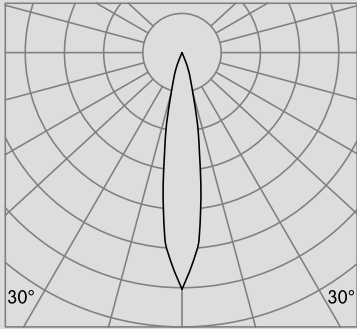
Consult factory for lead-times.
Bold Lighting reserves the right to make technical changes without notice.

For more info about the placement of the accessories, please consult the schematic on P4



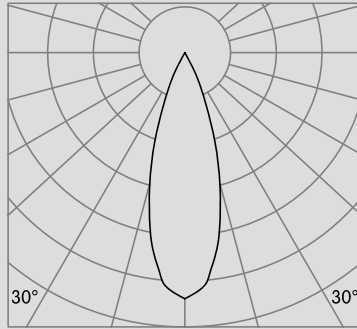
Photometric data: Type C Polar Curves

Narrow Distribution 12°



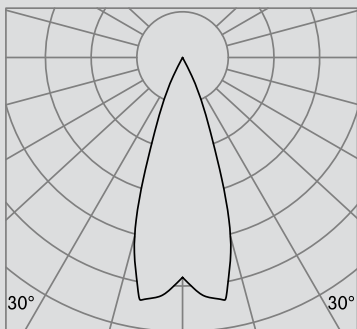
Max. 7,550cd 1,000lm

Medium Distribution 24°



Max. 3,420cd 1,000lm

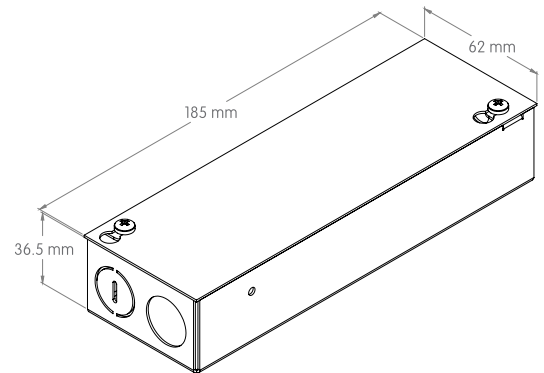
Flood Distribution 36°



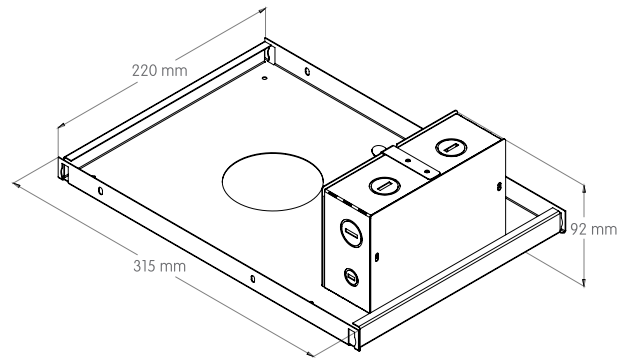
Max. 2,720cd 1,000lm

Notes:
Other beam distribution available on demand.
Please consult factory.

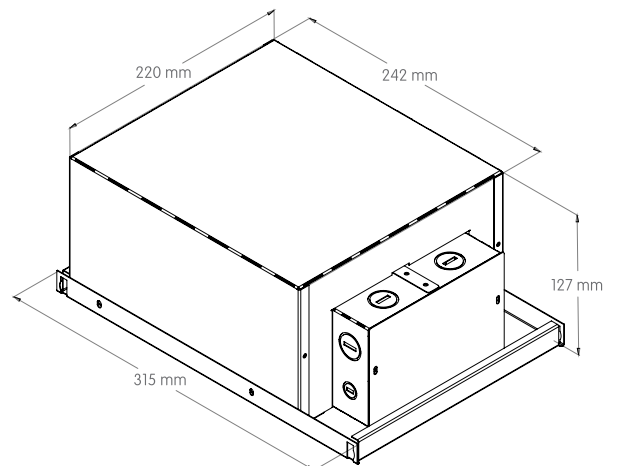
REMODEL HOUSING



NON-IC HOUSING



IC HOUSING & AIRTIGHT



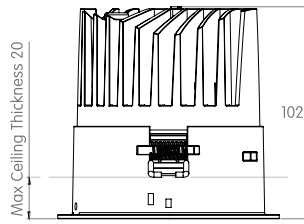
CCC Certified to GB7000



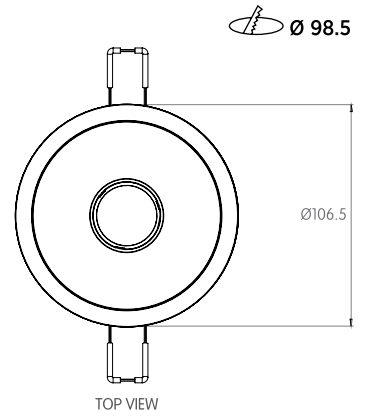
JA8 Certified to Title 24 standards

MOUNTING FLEXIBILITY
Per Millimeter

TRIM TORSION SPRINGS

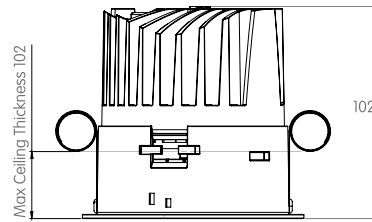


FRONT VIEW

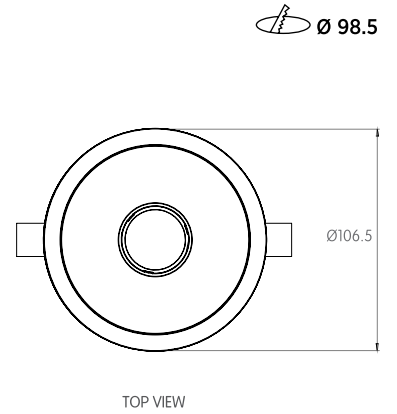


TOP VIEW

TRIM CONSTANT FORCE SPRINGS

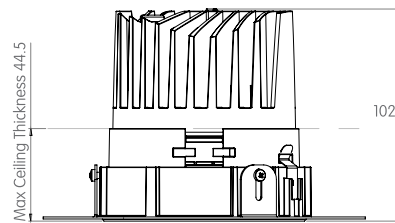


FRONT VIEW

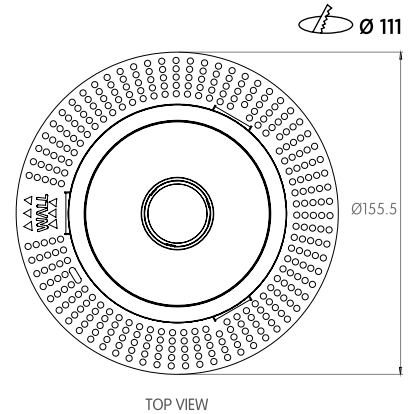


TOP VIEW

TRIMLESS

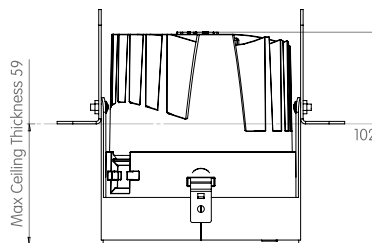


FRONT VIEW

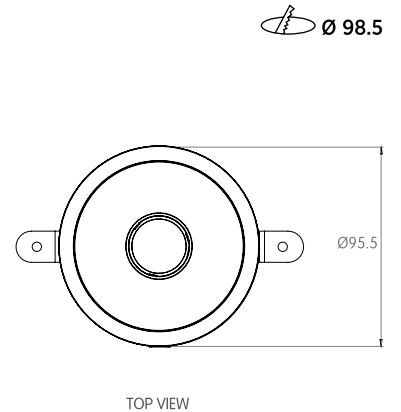


TOP VIEW

MILLWORK



FRONT VIEW



TOP VIEW



CCC Certified to GB7000

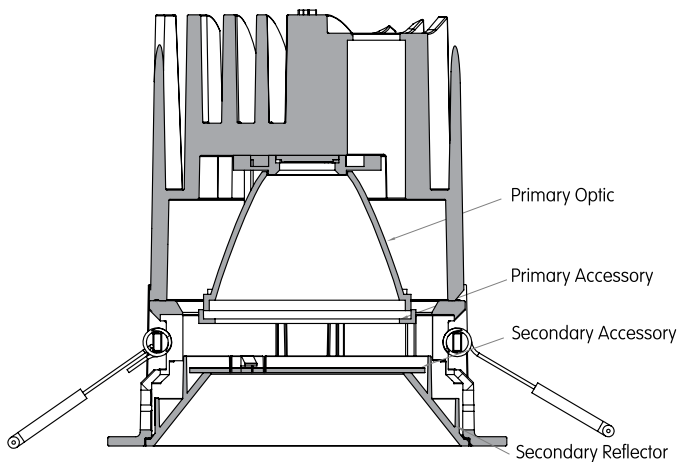


JA8 Certified to Title 24 standards

DELIVERED LUMEN OUTPUT

Output		Watts	CRI +90			
STATIC-WHITE			2700K	3000K	4000K	
L	10W		820lm	850lm	890lm	
M	12W		1115lm	1150lm	1190lm	
H	18W		1375lm	1450lm	1490lm	
V	22W		1970lm	2010lm	2045lm	
DIM-TO-WARM 3000K-1800K			3000K			
D	10W		705lm			
W	18W		1375lm			
TUNABLE WHITE 2700K-6500K			2700K		6500K	
U	10W		630lm		745lm	
A	18W		855lm		1040lm	
RGBW			R	G	B	W
L	4W		65lm	415lm	75lm	280lm
TOTAL	16W					

ACCESSORIES SCHEMATIC



SECTION A-A



CCC Certified
to GB7000



JA8 Certified
to Title 24
standards