

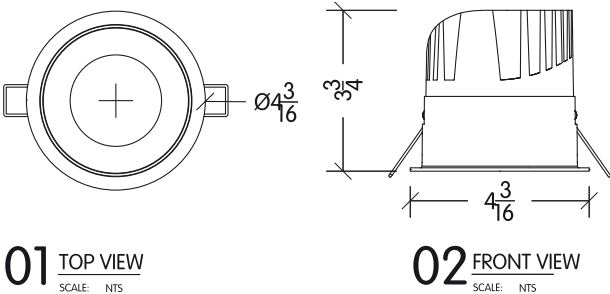
# CHAMELEON R4

Quietly Fixed



With Trim Cutout Ø 3"1/4 (95mm)

Trimless Cutout Ø 4"1/8 (105mm)



**Spec-grade performance LED downlights. Optimal for hospitality, commercial, high-end residential and corporate projects. Qu2 downlights offer a high output, precise optics, a wide range of mounting options, reflector finishes, and optical accessories.**

- Up to 2,500lm delivered output
- Trim, trimless and millwork mounting options
- High CRI, up to +97 CRI, available upon request
- Dim-to-Warm capability 3000K to 1900K
- Tunable White capability 2700K to 5000K
- Wide Range of optical options
- 5 years limited warranty
- Wide range of trims and reflectors finishes

Code example:

**CRF4-NIC-T-1-W-9WD-N-WF-W-10-L-0**

Series	Housing	Overall Height	Trim	Voltage	
<b>CRF4</b>	INT	Remodel	3.75 in.	T Trim	1 120V
	NIC	Non-IC (New)	3.75 in.	0 Trimless	2 240V
	ICN	IC (New)	5 in.		3 277V
	ICA	IC-Airtight (New)	5 in.		U 120V-277V
	CHP	Chicago Plenum	5 in.		

Output*	CRI	Color Temp.	Beam	Reflector	Finish	Dimming	Accessories	Emergency
L 700lm (10W)	8 +80	27 2700K	N 15°	WF Flat White	W Flat White	00 No Dimming	D Diffuse Lens	0 No
S 1300lm (15W)	9 +90	30 3000K	M 25°	BF Flat Black	B Flat Black	11 0-10V to 5%	S Solite Lens	6 60 min.
H 2500lm (26W)	0 +95	35 3500K	F 40°	BN Black Nickel	S Silver	10 0-10V to Dark	H Honeycomb	9 90 min.
W <sup>1</sup> 1600lm (25W)		40 4000K	B 60°	SC Specular Chrome		EL ELV Dimming	L Linear Lens	
		WD <sup>2</sup> 3000K-1900K		DC Diffuse Chrome		DI DALI to 1%	W Wet Location	
		TW <sup>3</sup> 2700K-5000K		BG Bright Gold		LT Lutron Ecosystem		
				DG Diffuse Gold				

**Notes:**

<sup>1</sup> Denotes output specific to Dim-to-Warm feature.

<sup>2</sup> Dim-to-Warm only available in CRI +90

<sup>3</sup> Tunable White available in 0-10V, DMX and DALI  
Check with Factory for Lead-times.

Bold Lighting reserves the right to make technical changes without notice.



e: info@boldlighting.us

t: +1-833-BOLD-1-US +1-833-265-3187

**Bold Lighting**  
Atlanta, Georgia, USA  
www.boldlighting.us

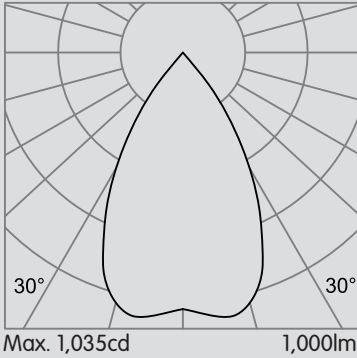
# CHAMELEON R4

Quietly Fixed

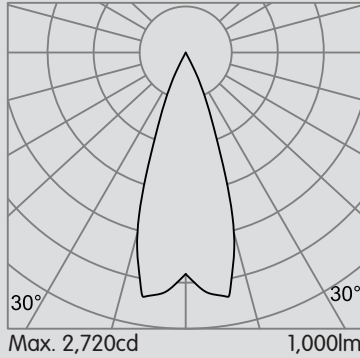


Photometric data: Type C Polar Curves

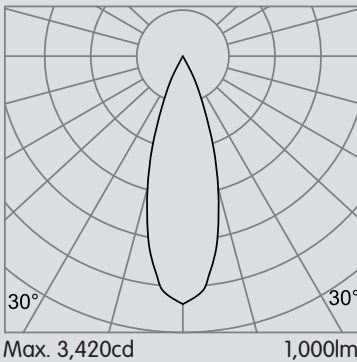
Batwing Distribution 60°



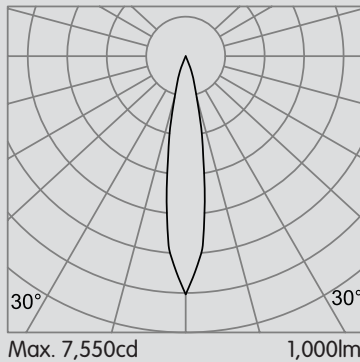
Flood Distribution 40°



Medium Distribution 25°



Narrow Distribution 15°



Delivered Lumen Output

Output	Consumption	CRI 80			CRI 90		
		2700K	3000K	4000K	2700 K	3000 K	4000 K
S	15W	1496lm	1966lm	2052lm	1415lm	1756lm	1821lm
H	25 W	2467lm	2641lm	2741lm	2183lm	2218lm	2371lm

LABELS:



ETL tested to UL standards 1598, Damp / Wet listings

IC/Airtight, compliant. Chicago Plenum Available



CE Certified

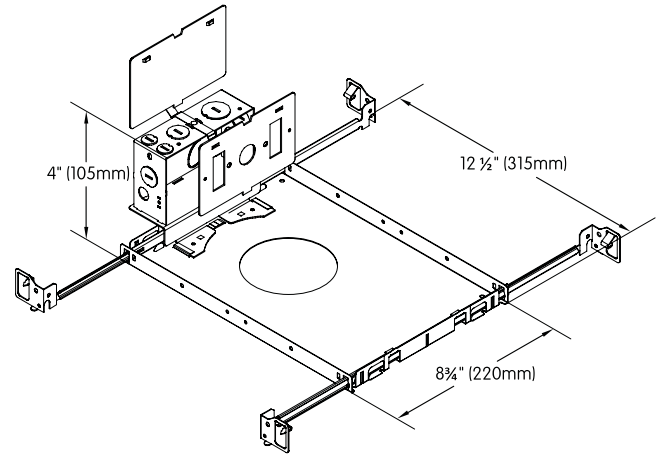


CCC Certified to GB7000

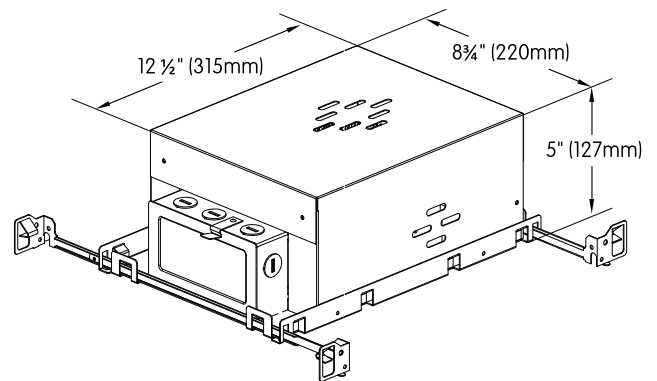


JA8 Certified to Title 24 standards

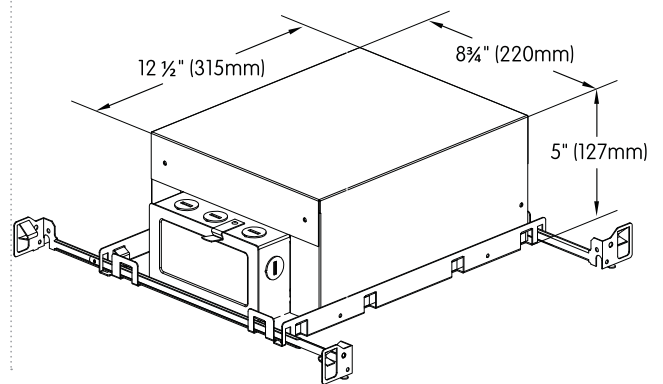
## NON-IC HOUSING



## IC HOUSING



## AIRTIGHT IC HOUSING



Bold Lighting

Atlanta, Georgia, USA  
www.boldlighting.us

e: info@boldlighting.us t: +1-833-BOLD-1-US +1-833-265-3187