

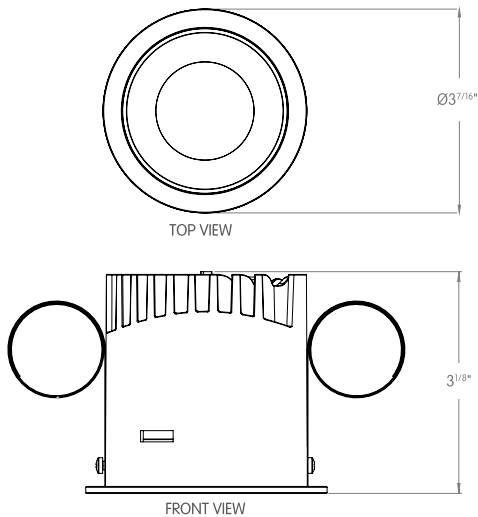


Bold's new 3" streamlined downlight and wallwasher complement the spec grade range of Chameleon downlights by offering an equivalent performance and quality, yet with simplicity that allows it to meet the strictest budgets. Engineered for efficiency and value, the Streamlined Chameleon maintains a high level of flexibility in optical and finish options. IT is a great tool for multi-family residential projects as well as large scale corporate and hospitality developments.

- Up to 1,350lm delivered output
- 0-10V and ELV dimming
- Remodel, Non-IC, IC, and IC airtight (Chicago Plenum) Housings available
- Trim, & trimless mounting options
- High CRI, up to +97 CRI, available upon request
- Dim-to-Warm capability 3000K to 1800K
- Tunable White capability 2700K to 5000K
- 5 years limited warranty
- Wide range of trims and reflectors finishes

* Downlight is inherently IC rated per ETL testing to UL1598 standard and can be installed without a housing when specified with Standard Output (11 Watts). LED driver current is factory set at 260mA.

Code example: **C3-L10R9-ER0-FW-WW-S927-0**



Series	Output ¹	Voltage	Control	Housing	Emergency
CE	L 9W (993lm)	1 120V U² Universal 120V to 277V	0 Non-Dim	R Remodel	N No
	M 11W (1191lm)		1 0-10 to 1%	N Non-IC	9 90 mins
	H 13W (1390lm)		2 0-10 fade-off	I³ IC	
	D 8W (800lm)		D Dali	A³ Airtight	
	W 12W (1200lm)		P Phase ELV & Triac	O No Housing	
	U 8W (950lm)		L Lutron		
	A 12W (1350lm)		X DMX		

Mounting	Trim Color	Ref. Color	IP Rating	Optics Type	LED CRI	LED CCT	Accessories (Secondary)				
E R1 Round Trim	F W White	W Flat White	D Dry	S 12°	9 90	27 2700K	N No Accessories				
		B Flat Black					W Wet	M 24°	H Thrive	30 3000K	T Clear Lens
		N Black Nickel					F 36°				35 3500K
R2 Round Trim with Constant Force Spring	S Grey	C Specular Chrome	G Bright Gold	E Diffuse Gold	40 4000K	F Solite Lens					
R3 Round Millwork	X Custom	D Diffuse Chrome				WD⁴ 3000K - 1800K	M Mixing	TW⁵ 2700K - 5000K	For more info about the placement of the accessories, please consult the schematic on P4.		

Notes:

- ¹ Denotes output at 3000K CRI 80, unless otherwise noted.
- ² Not applicable for ELV dimming.
- ³ Chicago Plenum rated.
- ⁴ Dim-to-Warm only available in CRI +90.
- ⁵ Tunable White available in 0-10V, DMX and DALI.
- ⁶ Diffuse lenses available in different angles.
- ⁷ Elliptical lenses available in different angles.

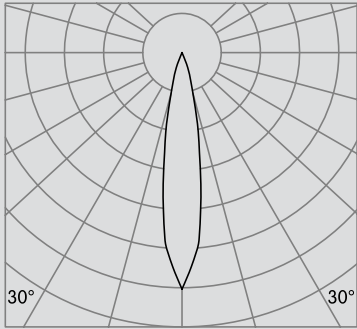
Consult factory for lead-times.
Bold Lighting reserves the right to make technical changes without notice.



OPTICAL FLEXIBILITY

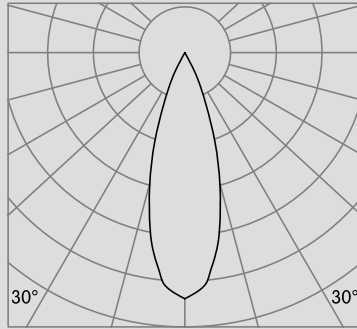
Photometric data: Type C Polar Curves

Narrow Distribution 12°



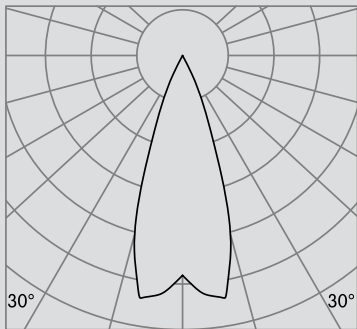
Max. 7,550cd 1,000lm

Medium Distribution 24°



Max. 3,420cd 1,000lm

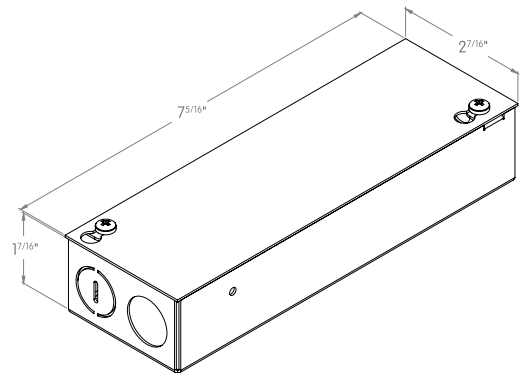
Flood Distribution 36°



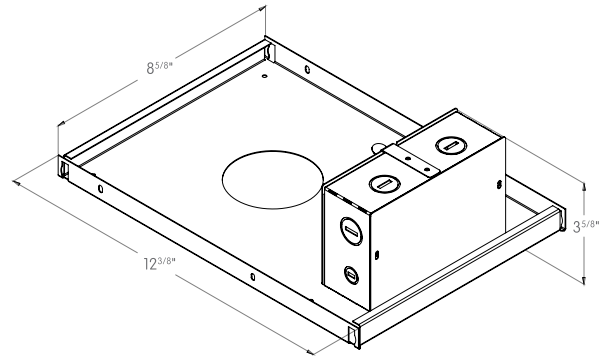
Max. 2,720cd 1,000lm

Notes:
Other beam distribution available on demand.
Please consult factory.

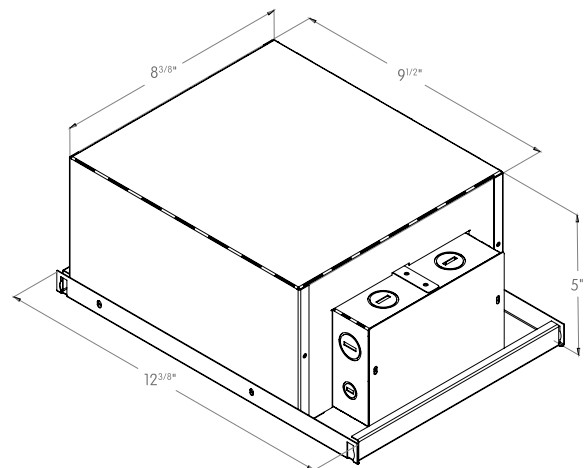
REMODEL HOUSING



NON-IC HOUSING



IC HOUSING & AIRTIGHT



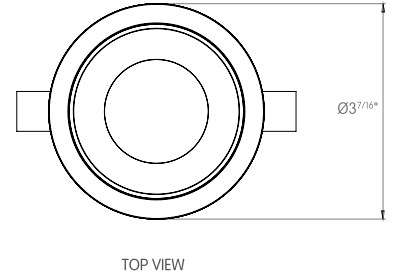
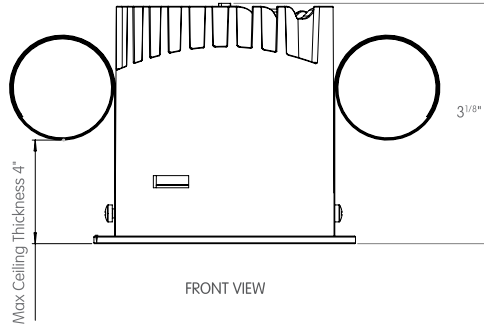
CCC Certified to GB7000



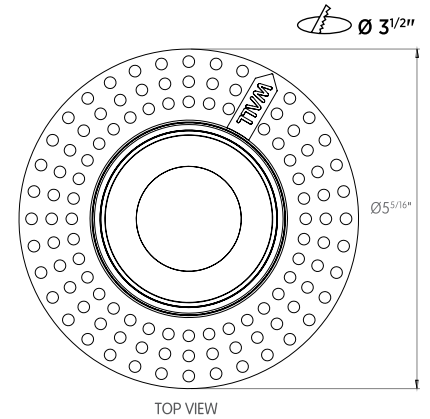
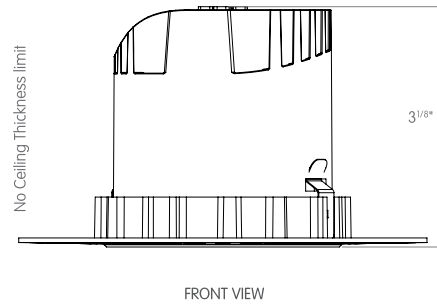
JA8 Certified to Title 24 standards

MOUNTING FLEXIBILITY

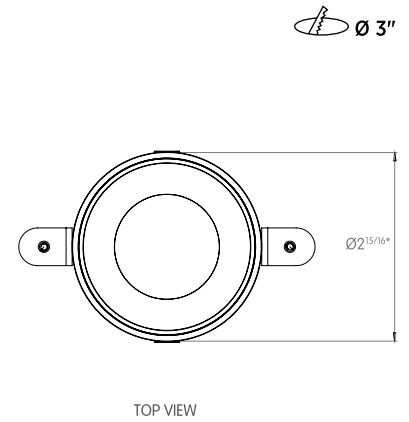
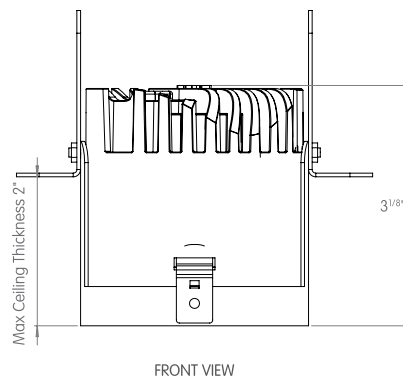
TRIM CONSTANT FORCE SPRINGS



TRIMLESS



MILLWORK



CCC Certified
to GB7000

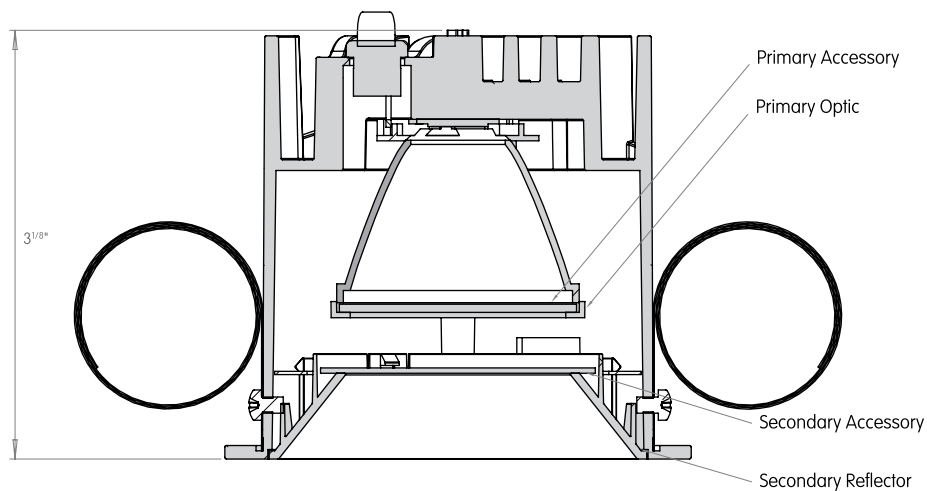


JA8 Certified
to Title 24
standards

DELIVERED LUMEN OUTPUT

Output		Watts				CRI +90			
STATIC-WHITE				2700K		3000K		4000K	
L	9W	820lm		850lm		870lm			
M	11W	990lm		1020lm		1040lm			
H	13W	1150lm		1200lm		1220lm			
DIM-TO-WARM 3000K-1800K						3000K			
D	8W			800lm					
W	12W			1200lm					
TUNABLE WHITE 2700K-6500K				2700K				6500K	
U	8W	800lm				950lm			
A	12W	1150lm				1350lm			
RGBW				R	G	B	W		
L	2W	50lm		270lm		50lm		200lm	
TOTAL	8W								

ACCESSORIES SCHEMATIC



SECTION A-A



CCC Certified
to GB7000



JA8 Certified
to Title 24
standards