



Spec-grade performance LED downlights. Optimal for hospitality, commercial, high-end residential and corporate projects.

The Chameleon R4 downlights offer a high output, precise optics, a wide range of mounting options, reflector finishes, and optical accessories.

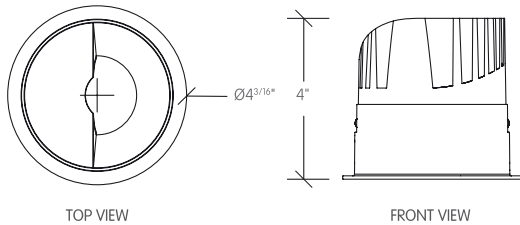
- Up to 1,000lm delivered output
- Trim, trimless and millwork mounting options
- High CRI, up to +97 CRI, available upon request
- Dim-to-Warm capability 3000K to 1800K
- Tunable White capability 2700K to 5000K
- High uniformity light distribution Emin./ Emax. = 1/3
- 5 years limited warranty
- Chicago plenum rated

* Downlight is inherently IC rated per ETL testing to UL1598 standard and can be installed without a housing when specified with Standard Output (11 Watts). LED driver current is factory set at 260mA.

HOUSING SPECS ▼

Code example: **C4-L10R9**

Series	Power/Output	Voltage	Control	Housing	Emergency
C4	L ¹ 10W (540lm)	1 120V	0 Non-Dim	R Remodel	N No
	M ¹ 12W (635lm)				
	H ¹ 18W (740lm)	U ⁵ Universal 120V to 277V	1 0-10 to 1%	N Non-IC	9 90 mins
	V ¹ 22W (925lm)		2 0-10 fade-off		
	D ² 10W (315lm)	D Dali	I ⁶ IC	A ⁶ Airtight	O No Housing
	W ² 18W (630lm)				
	U ³ 10W (395lm)	P Phase ELV & Triac	L Lutron	X DMX	
	A ³ 18W (580lm)				
	C ⁴ 16W (130lm)				



MODULE SPECS ▼ The Module should have the same Power as the Housing

Code example: **C4-LR0-WW-WW-W927-0**

P/O	Mounting	Trim Color	Ref. Color	IP Rating	Optics Type	LED CRI	LED CCT	Accessories
C4	R0 Round Trimless R1 Round Trim R2 Round Trim with Constant Force Spring R3 Round Millwork	W White B Black S Grey X Custom	W Flat White	D Dry	W Washer	9 90	27 2700K	0 No Accessories
			B Flat Black				W Wet	
			N Black Nickel	C Specular Chrome D Diffuse Chrome G Bright Gold E Diffuse Gold	35 3500K			
			C Specular Chrome		40 4000K			
							WD 3000K - 1800K	
							TW ⁷ 2700K - 5000K	
							CC RGBW	

Notes:

- ¹ Denotes output at 3000K, unless otherwise noted.
- ² Denotes output specific to Dim-to-Warm at 3000K.
- ³ Denotes output specific to Tunable White at full on.
- ⁴ Denotes output at White, 3000K.
- ⁵ Not applicable for ELV dimming.
- ⁶ Chicago Plenum rated.
- ⁷ Tunable White available in 0-10V, DMX and DALI.

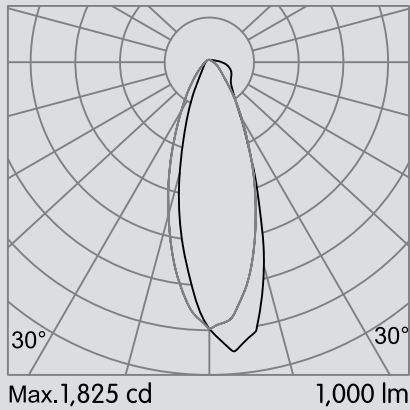
Consult factory for lead-times.
Bold Lighting reserves the right to make technical changes without notice.



OPTICAL FLEXIBILITY

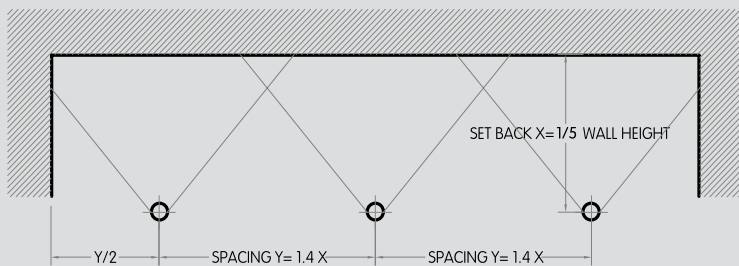
Photometric data: Type C Polar Curves

Wallwash Distribution

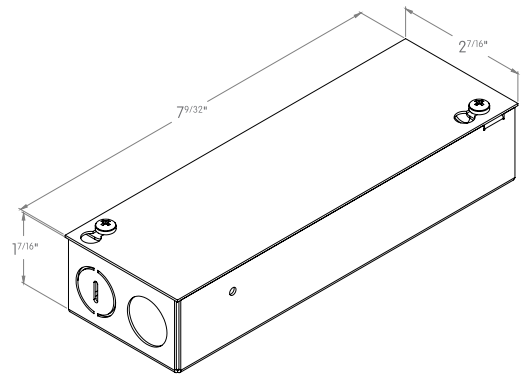


Wallwasher optimal spacing

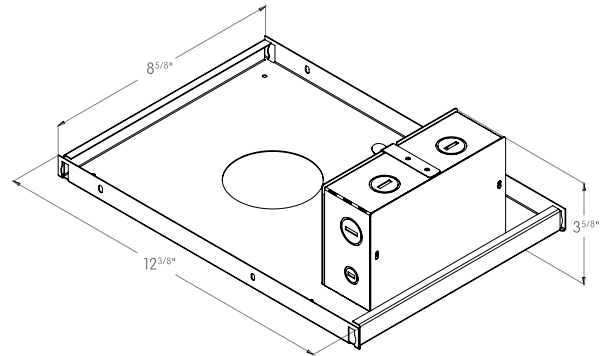
Plan View



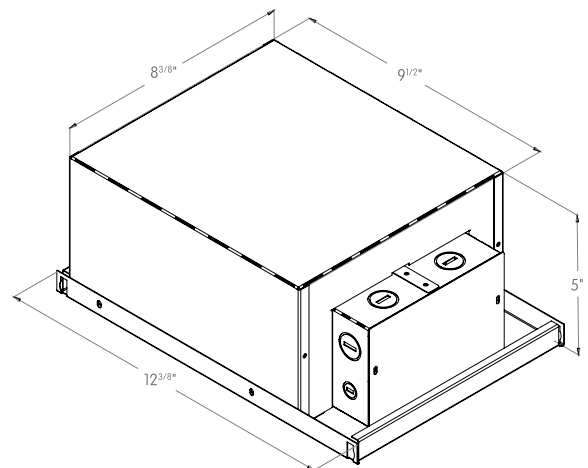
REMODEL HOUSING



NON-IC HOUSING



IC HOUSING & AIRTIGHT



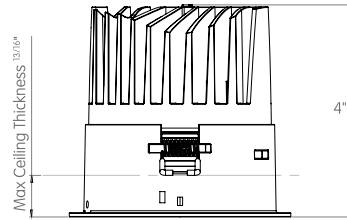
CCC Certified to GB7000



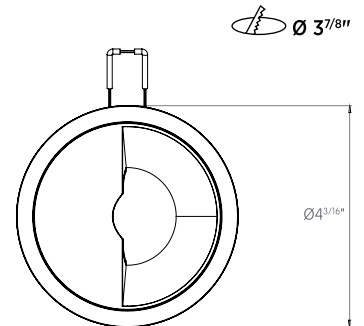
JA8 Certified to Title 24 standards

MOUNTING FLEXIBILITY

TRIM TORSION SPRINGS

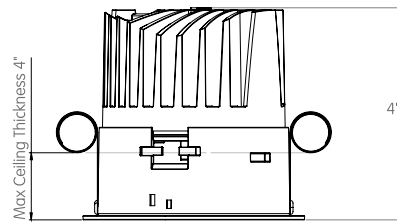


FRONT VIEW

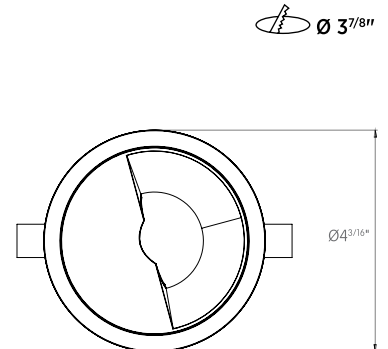


TOP VIEW

TRIM CONSTANT FORCE SPRINGS

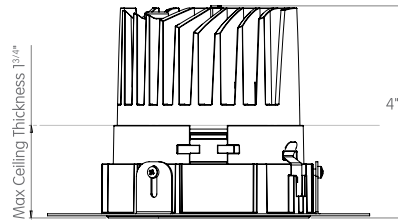


FRONT VIEW

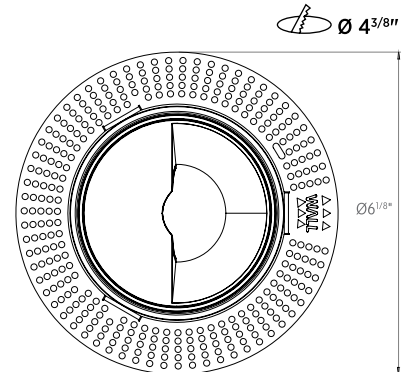


TOP VIEW

TRIMLESS

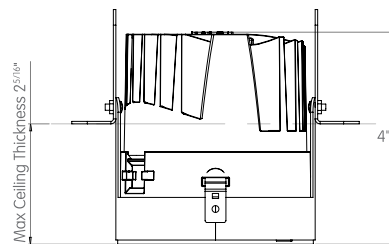


FRONT VIEW

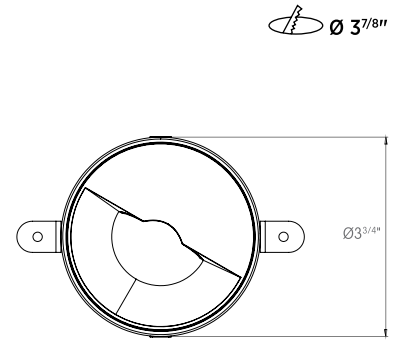


TOP VIEW

MILLWORK



FRONT VIEW



TOP VIEW



CCC Certified to GB7000



JA8 Certified to Title 24 standards

DELIVERED LUMEN OUTPUT

Output		Watts		CRI +90			
STATIC-WHITE				2700K	3000K	4000K	
L	10W			527lm	540lm	554lm	
M	12W			605lm	635lm	660lm	
H	18W			710lm	740lm	765lm	
V	22W			900lm	925lm	950lm	
DIM-TO-WARM 3000K-1800K				3000K			
D	10W			315lm			
W	18W			630lm			
TUNABLE WHITE 2700K-6500K				2700K		6500K	
U	10W			340lm		395lm	
A	18W			500lm		580lm	
RGBW				R	G	B	W
L	4W			30lm	190lm	35lm	130lm
TOTAL	16W						



CCC Certified
to GB7000



JA8 Certified
to Title 24
standards