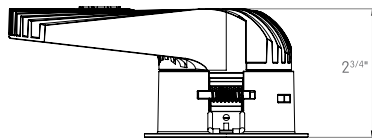


TOP VIEW



FRONT VIEW

Spec-grade performance LED downlights. Optimal for hospitality, commercial, high-end residential and corporate projects.

The Chameleon R3 downlights offer a high output, precise optics, a wide range of mounting options, reflector finishes, and optical accessories.

- Up to 1,000lm delivered output
- Trim mounting option
- High CRI, up to +97 CRI, available upon request
- Dim-to-Warm capability 3000K to 1800K
- Tunable White capability 2700K to 5000K
- Wide Range of optical options
- 5 years limited warranty
- Chicago plenum rated

* Downlight is inherently IC rated per ETL testing to UL1598 standard and can be installed without a housing when specified with Standard Output (11 Watts). LED driver current is factory set at 260mA.

HOUSING SPECS

Code example: **C3-L10R9**

Series	Power/Output	Voltage	Control	Housing	Emergency
C3	L ¹ 9W (535lm)	1 120V	0 Non-Dim	R Remodel	N No
	M ¹ 11W (605lm)	U ⁵ Universal 120V to 277V	1 0-10 to 1%	N Non-IC	9 90 mins
	H ¹ 13W (710lm)		2 0-10 fade-off	I ⁶ IC	
	D ² 8W (470lm)		D Dali	A ⁶ Airtight	
	W ² 12W (705lm)		P Phase ELV & Triac	O No Housing	
	U ³ 8W (560lm)		L Lutron		
	A ³ 12W (795lm)		X DMX		
	C ⁴ 8W (120lm)				

MODULE SPECS

The Module should have the same Power as the Housing

Code example: **C3-LR2-HW-WW-S927-0**

P/O	Mounting	Trim Color	Ref. Color	IP Rating	Optics Type	LED CRI	LED CCT	Accessories		
C3	R1 Round Trim R2 Round Trim with Constant Force Spring Refer to Housing Output	H	W White	W White	D Dry	S 12°	9 90	27 2700K	O No Accessories	
			B Black	B Black	W Wet	M 24°	H Thrive	30 3000K	C Clear Lens	
			X Custom RAL	X Custom RAL		F 36°		35 3500K	D ⁸ Diffuse lens	
		P	Field Paintable	P	Field Paintable				40 4000K	E ⁹ Elliptical Lens
									WD 3000K - 1800K	H Honeycomb Lens
									TW ⁷ 2700K - 5000K	S Solite Lens
									CC RGBW	M Mixing

Notes:

- ¹ Denotes output at 3000K, unless otherwise noted.
- ² Denotes output specific to Dim-to-Warm at 3000K.
- ³ Denotes output specific to Tunable White at full on.
- ⁴ Denotes output at White, 3000K.
- ⁵ Not applicable for ELV dimming.
- ⁶ Chicago Plenum rated.
- ⁷ Tunable White available in 0-10V, DMX and DALI.
- ⁸ Diffuse lenses available in different angles.
- ⁹ Elliptical lenses available in different angles.

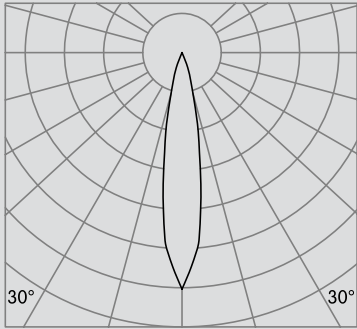
Consult factory for lead-times.
Bold Lighting reserves the right to make technical changes without notice.



OPTICAL FLEXIBILITY

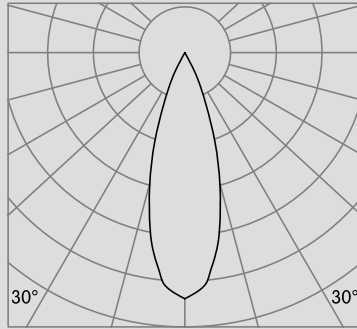
Photometric data: Type C Polar Curves

Narrow Distribution 12°



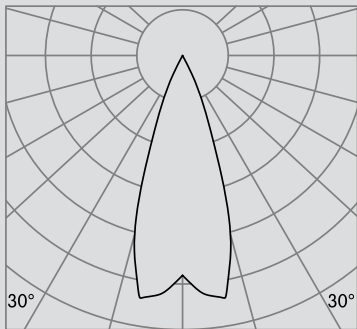
Max. 7,550cd 1,000lm

Medium Distribution 24°



Max. 3,420cd 1,000lm

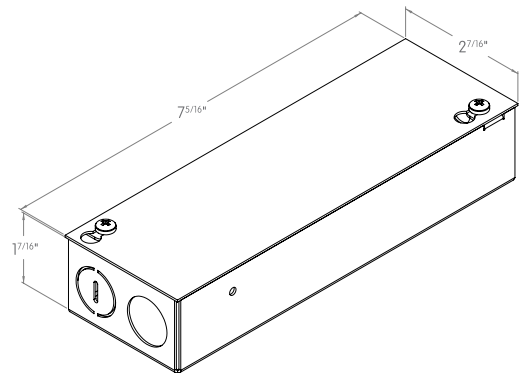
Flood Distribution 36°



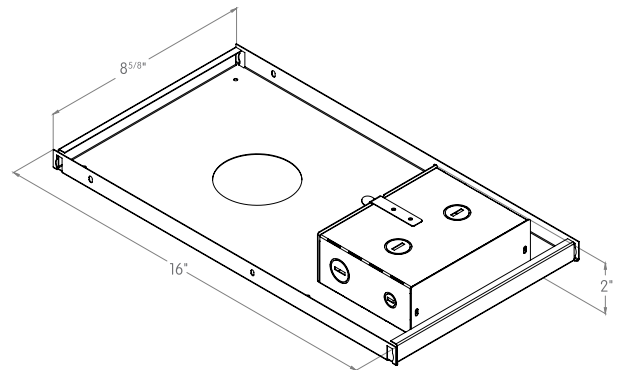
Max. 2,720cd 1,000lm

Notes:
Other beam distribution available on demand.
Please consult factory.

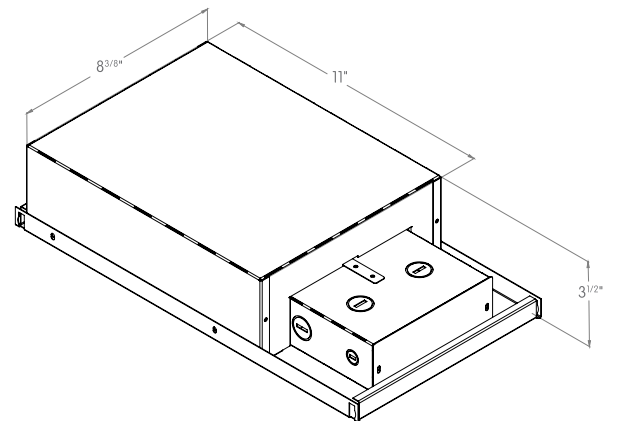
REMODEL HOUSING



NON-IC HOUSING



IC HOUSING & AIRTIGHT



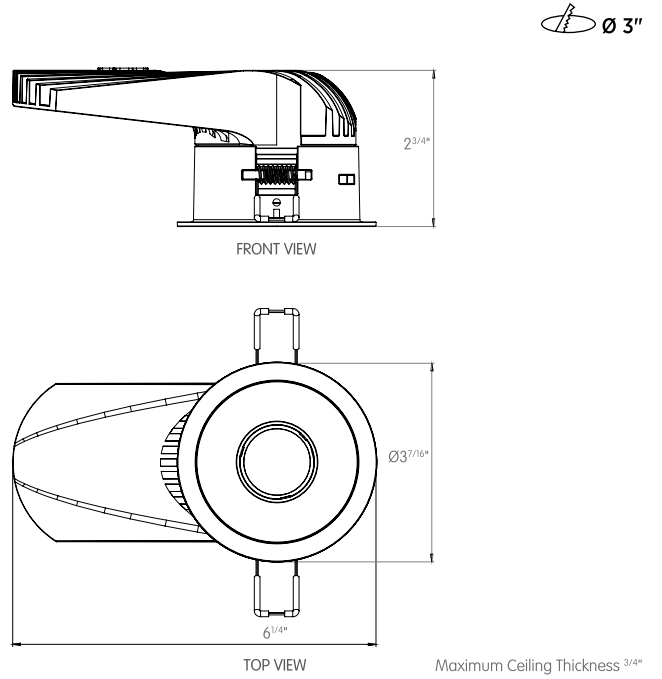
CCC Certified to GB7000



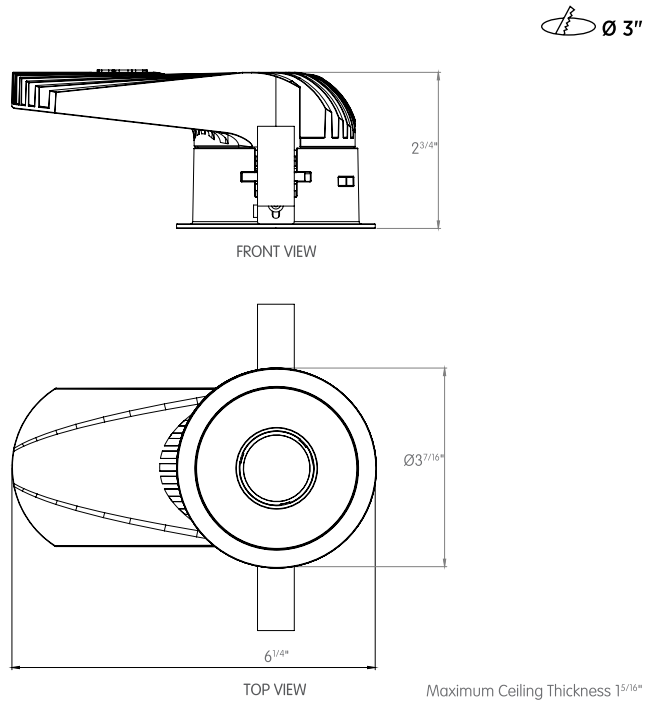
JA8 Certified to Title 24 standards

MOUNTING FLEXIBILITY

TRIM TORSION SPRINGS



TRIM CONSTANT FORCE SPRINGS



CCC Certified to GB7000



JA8 Certified to Title 24 standards

DELIVERED LUMEN OUTPUT

Output		Watts				CRI +90			
STATIC-WHITE				2700K		3000K		4000K	
L	9W	500lm		535lm		640lm			
M	11W	570lm		605lm		785lm			
H	13W	675lm		710lm		890lm			
DIM-TO-WARM 3000K-1800K				3000K					
D	8W			470lm					
W	12W			705lm					
TUNABLE WHITE 2700K-6500K				2700K				6500K	
U	8W	470lm						560lm	
A	12W	675lm						795lm	
RGBW				R	G	B	W		
L	2W	30lm		160lm		30lm		120lm	
TOTAL	8W								



CCC Certified
to GB7000



JA8 Certified
to Title 24
standards