



Spec-grade performance LED downlights. Optimal for hospitality, commercial, high-end residential and corporate projects.

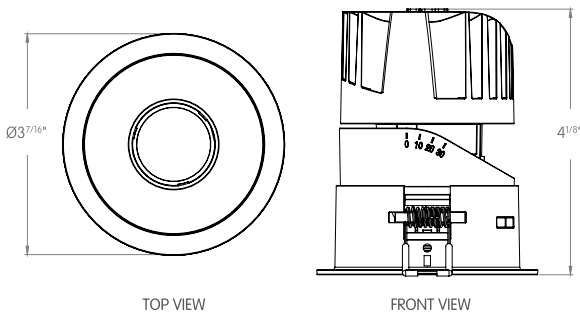
The Chameleon R3 downlights offer a high output, precise optics, a wide range of mounting options, reflector finishes, and optical accessories.

- Up to 1,000lm delivered output
- Trim, trimless and millwork mounting options
- High CRI, up to +97 CRI, available upon request
- Dim-to-Warm capability 3000K to 1800K
- Tunable White capability 2700K to 5000K
- Gear driven tilt 0° to 30° and 360° lockable rotation
- Zoomable Lens from 15° to 50°
- 5 years limited warranty
- Chicago plenum rated

HOUSING SPECS

Code example: **C3-L10R9**

Series	Power/Output	Voltage	Control	Housing	Emergency
C3	L ¹ 9W (450lm)	1 120V	0 Non-Dim	R Remodel	N No
	M ¹ 11W (510lm)	U ⁴ Universal 120V to 277V	1 0-10 to 1%	N Non-IC	9 90 mins
	H ¹ 13W (600lm)		2 0-10 fade-off	F ⁵ IC	
	R ² 10W (540lm)		D Dali	A ⁵ Airtight	
	T ³ 4.5W (230lm)		P Phase ELV & Triac	O No Housing	
		L Lutron			
		X DMX			



MODULE SPECS

The Module should have the same Power as the Housing

Code example: **C3-LR0-NW-WW-Z927-0-N**

P/O	Mounting	Trim Color	Ref. Color	IP Rating	Optics Type	LED CRI	LED CCT	Accessories (Primary)	Accessories (Secondary)
C3	R0 Round Trimless	N W White	W White	D Dry	Z 15°-50°	9 90	27 2700K	O No Accessories	N No Accessories
	R1 Round Trim		B Black				W Wet		
	R2 Round Trim with Constant Force Spring	X Custom RAL	X Custom RAL			35 3500K	D ⁷ Diffuse lens	L Diffuse lens	
	R3 Round Millwork		P Field Paintable	P Field Paintable		40 4000K	E ⁸ Elliptical Lens	F Solite Lens	
						WD 3000K - 1800K	H Honeycomb Lens		
					TW ⁶ 2700K - 5000K	S Solite Lens			
					CC RGBW	M Mixing			

Notes:

- ¹ Denotes output at 3000K, unless otherwise noted.
- ² Denotes output specific to Dim-to-Warm at 3000K.
- ³ Denotes output specific to Tunable White at full on.
- ⁴ Denotes output at White, 3000K.
- ⁵ Chicago Plenum rated.
- ⁶ Tunable White available in 0-10V, DMX and DALI.
- ⁷ Diffuse lenses available in different angles.
- ⁸ Elliptical lenses available in different angles.

Consult factory for lead-times.
Bold Lighting reserves the right to make technical changes without notice.

For more info about the placement of the accessories, please consult the schematic on P4

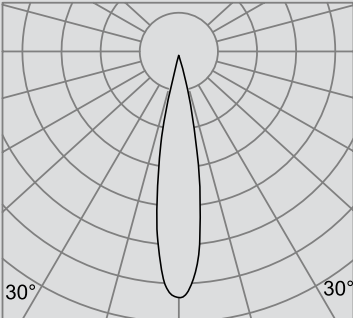


OPTICAL FLEXIBILITY

Photometric data: Type C Polar Curves

Zoomable Distribution 15° - 50°

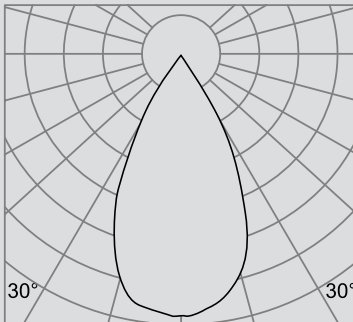
15°



Max. 6,425cd

1,000lm

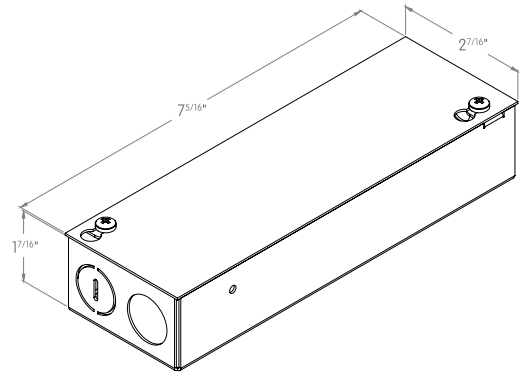
50°



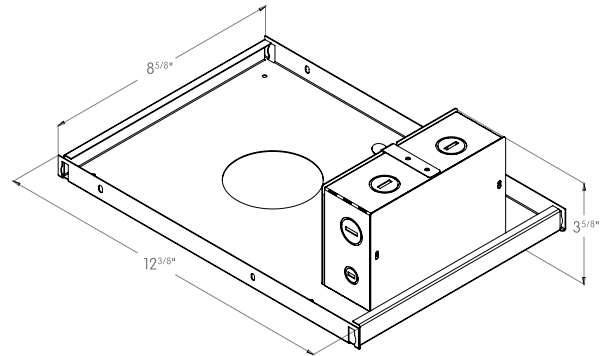
Max. 1,385cd

1,000lm

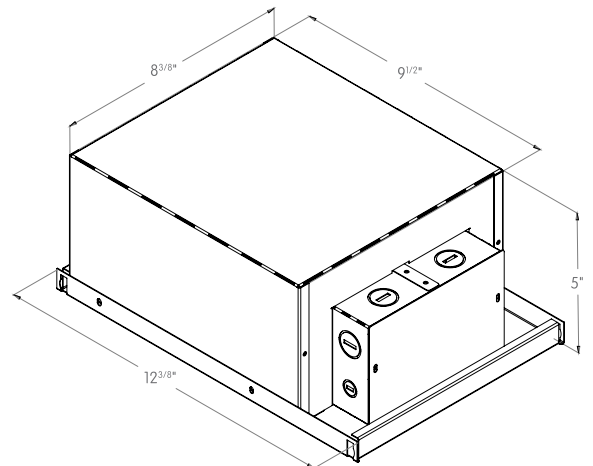
REMODEL HOUSING



NON-IC HOUSING



IC HOUSING & AIRTIGHT



CCC Certified to GB7000

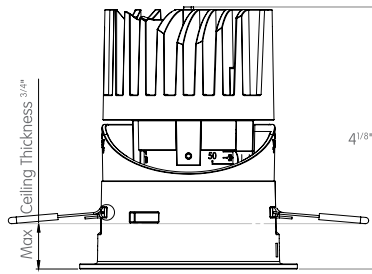


JA8 Certified to Title 24 standards

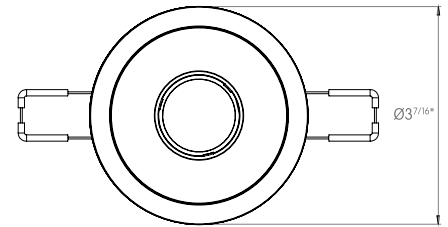
MOUNTING FLEXIBILITY

TRIM TORSION SPRINGS

Ø 3"



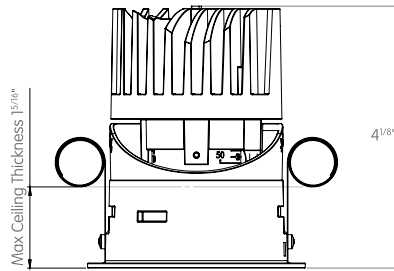
FRONT VIEW



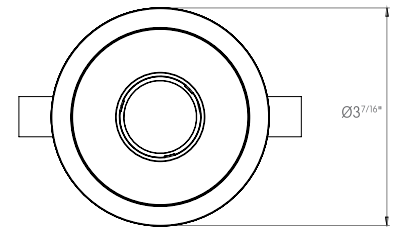
TOP VIEW

TRIM CONSTANT FORCE SPRINGS

Ø 3"



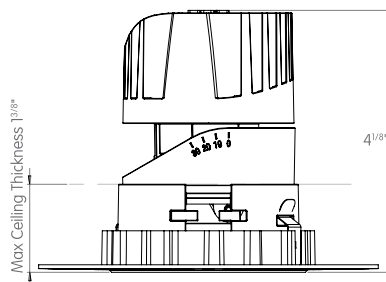
FRONT VIEW



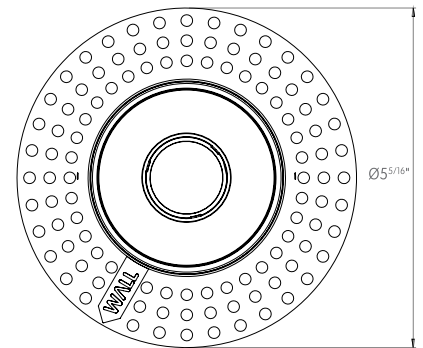
TOP VIEW

TRIMLESS

Ø 3 1/2"



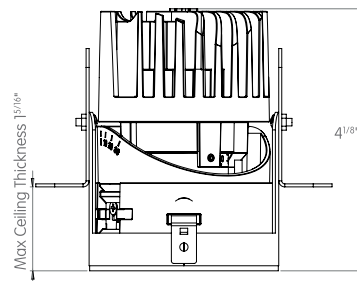
FRONT VIEW



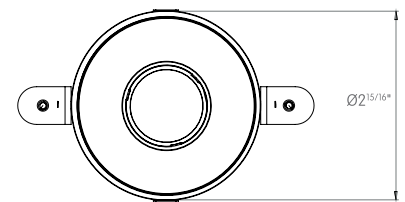
TOP VIEW

MILLWORK

Ø 3"



FRONT VIEW



TOP VIEW



CCC Certified to GB7000



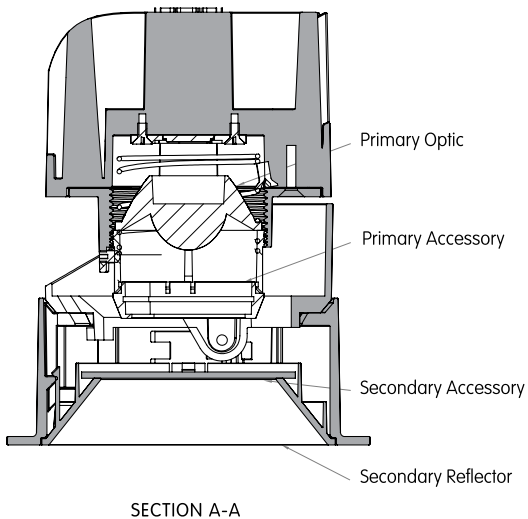
JA8 Certified to Title 24 standards

Bold Lighting
 4710 Ecton Dr., Marietta, GA 30066, USA
 info@boldlighting.us www.boldlighting.us t: +1-678-903-4061

DELIVERED LUMEN OUTPUT

Output		Watts	CRI +90		
STATIC-WHITE			2700K	3000K	4000K
L	9W		420lm	450lm	540lm
M	11W		480lm	510lm	660lm
H	13.3W		570lm	600lm	750lm
DIM-TO-WARM 3000K-1800K			3000K		
R	10W		540lm		
TUNABLE WHITE 2700K-6500K			2700K		6500K
T	4.5W		180lm		230lm

ACCESSORIES SCHEMATIC



CCC Certified
to GB7000



JA8 Certified
to Title 24
standards

Bold Lighting
4710 Ecton Dr., Marietta, GA 30066, USA
info@boldlighting.us www.boldlighting.us t: +1-678-903-4061