

# PiA

Quietly Adjustable



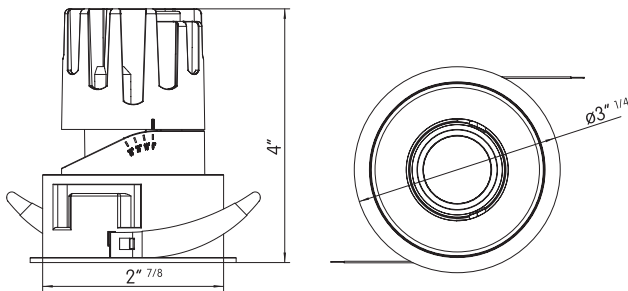
**Spec-grade performance LED downlights. Optimal for hospitality, high-end residential and corporate projects.**

**Pi downlights offer precise optics, a wide range of mounting options, reflector finishes, and optical accessories.**

- Gear driven tilt 0° to 30°
- Lockable rotation 360°
- Up to 1,200lm Output
- 15° to 60° beam angles
- Dim-to-Warm and Tunable White capability
- Specific driver brands available on request
- Custom finishes and mounting on request
- 5 Years limited warranty

Code example:

**PiA-NIC-1-T-W-9-WD-M-WF-W-1-S-0**



Series	Housing	H*	Voltage	Trim
<b>PiA</b>	INT Remodel	4 in.	1 120V	T Trim
	NIC Non-IC (New)	4 in.	2 240V	0 Trimless
	ICN IC (New)	5 in.	3 277V	
	ICA IC-Airtight (New)	5 in.	U Unv.	
	CHP Chicago Plenum	5 in.		

\* Overall height of housing

Output*	CRI	Color Temp	Beam	Reflector	Finish	Dimming	Accessories	Emergency
L 500lm (7W)	8 +80 CRI	27 2700°K	N 15°	WF Flat White	W Flat White	0 No Dimming	D Diffuse Lens	0 No
S 850lm (11W)	9 +90 CRI	30 3000°K	M 25°	BF Flat Black	B Flat Black	1 0-10V to 1%	S Solite Lens	1 30 min.
H 1200lm (15W)		35 3500°K	F 40°	BN Black Nickel	S Silver	2 0-10V to Fade-off	H Honeycomb	2 60 min.
W <sup>1</sup> 950lm (15W)		40 4000°K	B 60°	SC Specular Chrome		E ELV Dimming	L Linear Lens	3 90 min.
		WD <sup>2</sup> 3000°K-1900°K		DC Diffuse Chrome		D DALI to 1%	W Wet Location	
		TW <sup>2</sup> 2700°K-5000°K		BG Bright Gold		L LUTRON PEQOE 100% - 0.1%		
				DG Diffuse Gold		Hi-lume Premier 0.1% EcoSystem		

**Notes:**

\* Denotes Delivered Output at 4,000°K CRI+80

<sup>1</sup> Denotes output specific to Dim-to-Warm and Tunable White features.

<sup>2</sup> Dim-to-Warm and Tunable White only available in CRI +90.

Check with Factory for Lead-times.

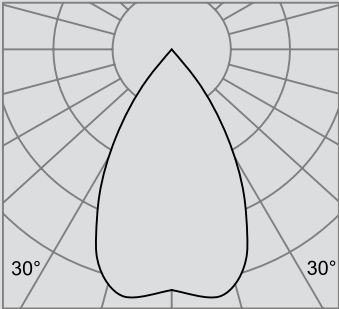
Bold Lighting reserves the right to make technical changes without notice.



**Bold Lighting**  
Atlanta, Georgia, USA  
www.boldlighting.us  
e: info@boldlighting.us t: +1-833-BOLD-1-US +1-833-265-3187

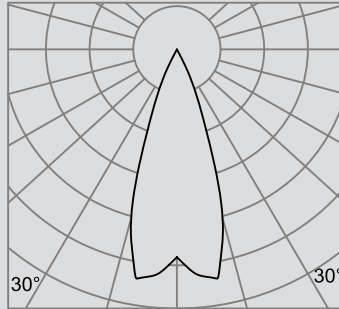
## Photometric data: Type C Polar Curves

Batwing Distribution 60°



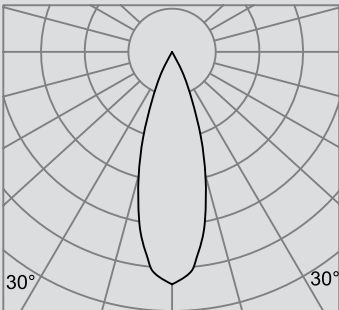
Max. 820 cd

Flood Distribution 40°



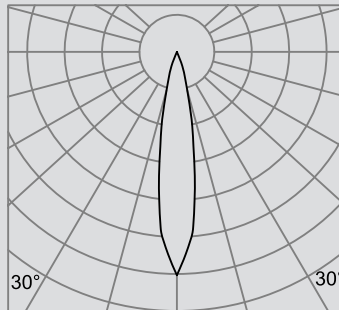
Max. 2,160 cd

Medium Distribution 25°



Max. 2,710 cd

Narrow Distribution 15°



Max. 6,010 cd

## Delivered Lumen Output

Output	Consumption	CRI 80			CRI 90		
		2700K	3000K	4000K	2700 K	3000 K	4000 K
S	9W	896lm	944lm	984lm	796lm	944lm	832lm
H	13 W	1200lm	1268lm	1320lm	1000lm	1064lm	1120lm

## LABELS:



ETL tested to UL standards 1598, Dry/Damp listings

IC/Airtight, compliant. Chicago Plenum Available



CE Certified



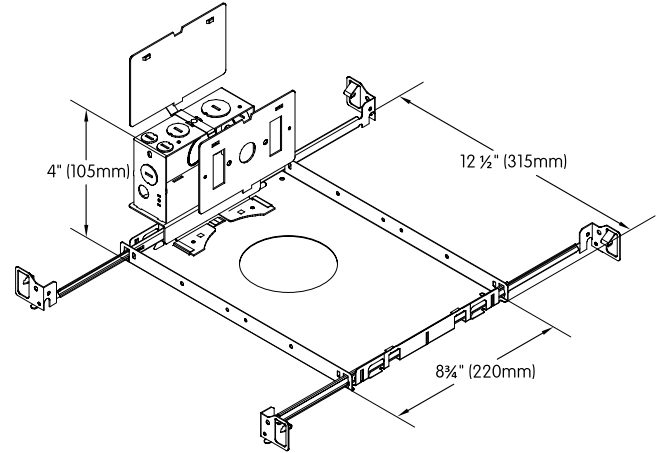
CCC Certified to GB7000



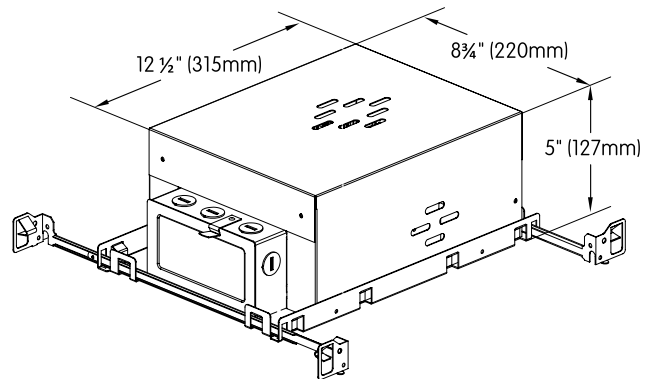
JA8 Certified to Title 24 standards

**WARRANTY: 5 year limited on LED and driver. See website for details**

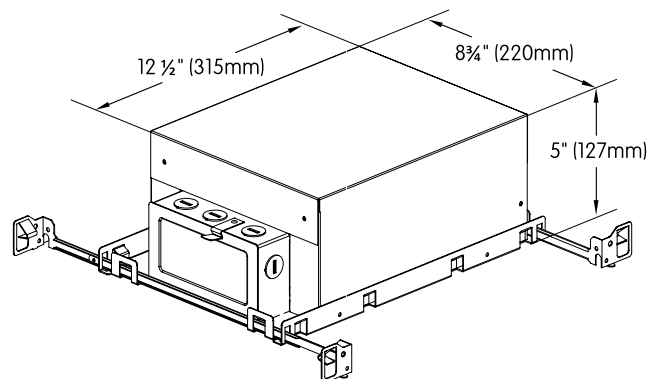
## NON-IC HOUSING



## IC HOUSING



## AIRTIGHT IC HOUSING



**Bold Lighting**

Atlanta, Georgia, USA  
www.boldlighting.us

e: info@boldlighting.us t: +1-833-BOLD-1-US +1-833-265-3187