

Spec-grade performance LED downlights. Optimal for hospitality, high-end residential and corporate projects.

Pi downlights offer, precise optics, a wide range of mounting options, reflector finishes, and optical accessories.

- Up to 1,200lm Output
- 15° to 60° beam angles
- Dim-to-Warm and Tunable White capability
- Specific driver brands available on request
- Custom finishes and mounting on request
- 5 Years limited warranty

This downlight is inherently IC rated as per its ETL testing to UL1598 standards, and can be installed without a housing when specified with Standard Output S¹ 11W. The LED driver current is set at 260mA.

Code example:

PiF-NIC-1-T-W-9-WD-M-WF-W-1-S-0

Series	Housing	H*	Voltage	Trim
PiF	INT Remodel	4 in.	1 120V	T Trim
	NIC Non-IC (New)	4 in.	2 240V	0 Trimless
	ICN IC (New)	5 in.	3 277V	M Millwork
	ICA IC-Airtight (New)	5 in.	U Unv.	
	CHP Chicago Plenum	5 in.		

* Overall height of housing

Output*	CRI	Color Temp	Beam	Reflector	Finish	Dimming	Accessories	Emergency
L 500lm (7W)	8 +80 CRI	27 2700 K	N 15	WF Flat White	W Flat White	0 No Dimming	D Diffuse Lens	0 No
S 850lm (11W)	9 +90 CRI	30 3000 K	M 25	BF Flat Black	B Flat Black	1 0-10V to 1%	S Solite Lens	1 30 min.
H 1200lm (15W)		35 3500 K	F 40	BN Black Nickel	S Silver	2 0-10V to Fade-off	H Honeycomb	2 60 min.
W ¹ 950lm (15W)		40 4000 K	B 60	SC Specular Chrome		E ELV Dimming	L Linear Lens	3 90 min.
		WD ² 3000 K-1900 K		DC Diffuse Chrome		L Lutron Ecosystem	W Wet Location	
		TW ² 2700 K-5000 K		BG Bright Gold		D DALI to 1%		
				DG Diffuse Gold				

Notes:

* Denotes Delivered Output at 4,000°K CRI+80

¹ Denotes output specific to Dim-to-Warm and Tunable White features.

² Dim-to-Warm and Tunable White only available in CRI +90.

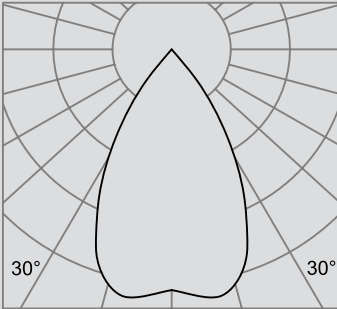
Check with Factory for Lead-times.

Bold Lighting reserves the right to make technical changes without notice.



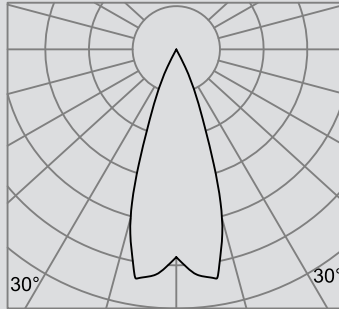
Photometric data: Type C Polar Curves

Batwing Distribution 60°



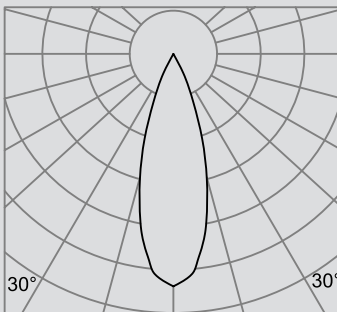
Max. 820 cd

Flood Distribution 40°



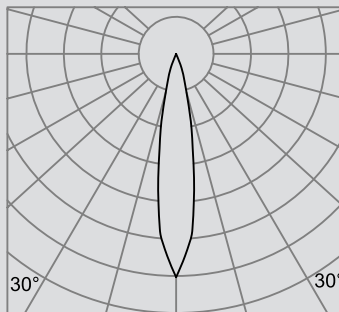
Max. 2,160 cd

Medium Distribution 25°



Max. 2,710 cd

Narrow Distribution 15°



Max. 6,010 cd

Delivered Lumen Output

Output	Consumption	CRI 80			CRI 90		
		2700K	3000K	4000K	2700 K	3000 K	4000 K
S	9W	896lm	944lm	984lm	796lm	944lm	832lm
H	13 W	1200lm	1268lm	1320lm	1000lm	1064lm	1120lm


LABELS:

 ETL tested to UL standards 1598, Dry/Wet listings

IC/Airtight, compliant. Chicago Plenum Available

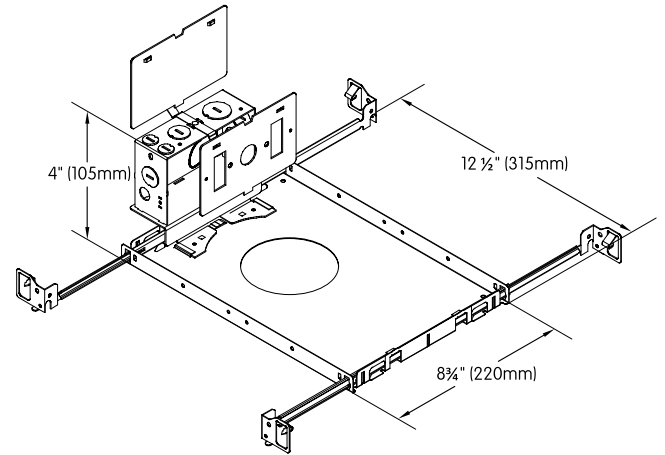
 CE Certified

 CCC Certified to GB7000

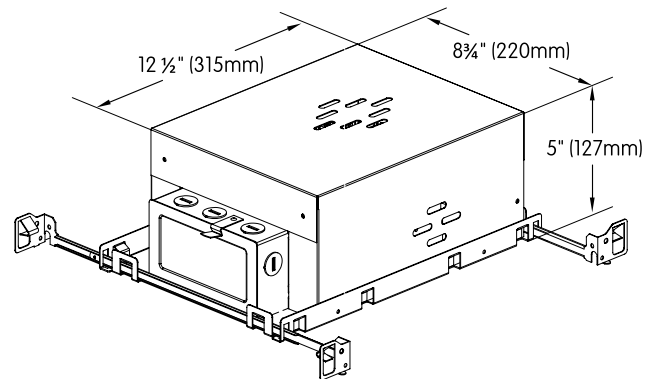
 JA8 Certified to Title 24 standards

WARRANTY: 5 year limited on LED and driver. See website for details

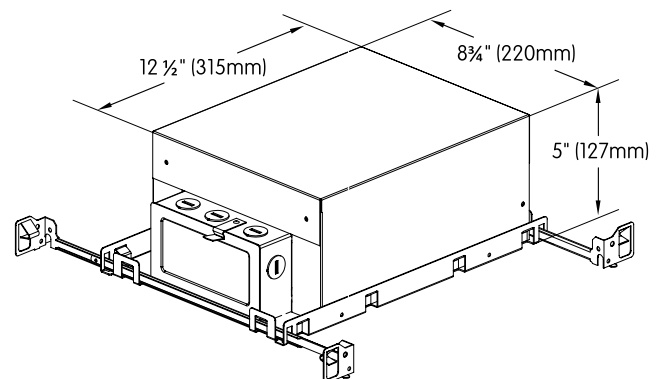
NON-IC HOUSING



IC HOUSING



AIRTIGHT IC HOUSING



Bold Lighting

Atlanta, Georgia, USA
www.boldlighting.us

e: info@boldlighting.us t: +1-833-BOLD-1-US +1-833-265-3187