

CALIBER

WALLGRAZER / WALLWASHER / INDIRECT LIGHTING

bold
lighting



Caliber is an innovative approach to linear lighting that combines a small form factor with powerful performance and flexibility in both mounting, adjustability, and light control.

The fixture can adjust up to 90° for precise aiming and can be specified with an adjustable glare-shield for added control of the output and beam spread. Caliber's flexibility makes it ideal for grazing, wallwashing, and performance indirect lighting.

Series	Mounting	Nominal Length	Body Finish
BCW	SM Surface Mounted	12 12"	W White
	C1 2" Cantilever	24 24"	B Black
	C2 6" Cantilever	36 36"	G Grey
	C3 12" Cantilever	48 48"	X Custom RAL
	C4 18" Cantilever		
	C5 24" Cantilever		

For exact lengths refer to dimensions table.

CONSTRUCTION

Product Type : Linear
Body Material : Extruded Aluminum
Body Finish : Black / Grey / White
 Custom RAL
IP Rating : IP66
IK Rating : IK6

INSTALLATION

Environment : Indoor/Outdoor
Mounting : Surface Mounted
Ta : 120°F

OPTICS

Optical Distribution : 8° / 15° / 34° / 60°
 Elliptical (15°x25°) (10°x60°) (30°x60°)

* Additional optics available upon request.

LIGHT SOURCE

Direct Light Source : High-power LEDs
Luminous Output : from 375lm/ft. to 1950lm/ft. (Delivered)²
Light Source CCT : 2700K / 3000K
 3500K / 4000K
 Tunable White (2700K-5000K)
 Dim-to-Warm (3000K-1800K) / RGBW
Color Rendering Index : Ra80 / Ra90

ELECTRICAL

Input Voltage : 120V / UNV 120-277V
 50Hz/60Hz
Load : 4W/ft. to 22W/ft.
Output Type : Constant Current
Driver Type : Integral
Dimming : 0-10V / DALI / ELV / DMX
 Non-Dim

Code example: **BCW-SM12B-X-VUC-N-M827-X**

Glare Shield	Output	Voltage	Dimming	Baffles	Optics	CRI	Color Temp	Accessories
G¹ Glare Shield	L² 375lm/ft (4W)	1 120V	A No Dimming	W Flat White	S 8°	8 +80	27 2700K	X No Accessories
X No Glare Shield	M³ 900lm/ft (9W)	U 120 - 277V Universal	B 0-10V to 1%	B Flat Black	M 15°	9 +90	30 3000K	
	H⁴ 1350lm/ft (15W)		C 0-10V to Fade-off	N Black Nickel	F 34°		35 3500K	
	V⁵ 1950lm/ft (22W)		D DALI to 1%	C Specular Chrome	W 60°		40 4000K	
	D⁶ 816lm/ft (9W)		E⁶ ELV Dimming	G Bright Gold	E 10°x 28°		WD⁷ 3000K - 1800K	
	W⁸ 1768lm/ft (18W)		F DMX	S Diffuse Gold	K 10°x 36°		TW 2700K - 5000K	
	U⁴ 1428lm/ft (12W)		G 0-10V to 1% Logarithmic curve	X Custom			CC⁹ RGBW	
	A⁴ 2570lm/ft (22W)							
	C⁵ 895lm/ft (22W)							

Notes:

- The lumen values will be 50% lower in the fully shield-covered position.
- Denotes static white (L)(M)(H)(V) output at 3000K, +80CRI, without glare shield.
- Denotes warm dim (D)(W) output at 3000K, +90 CRI, without glare shield.
- Denotes tunable white (U)(A) output at 2700K, +80 CRI, without glare shield.
- Denotes RGBW (C) output with all colors at full power.
- Not available with UNV voltage.
- Not available with +80 CRI.
- Only available with DMX dimming.

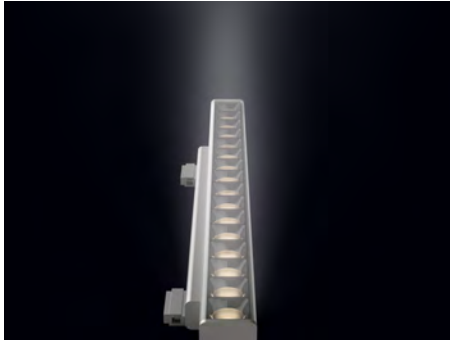
Consult factory for lead-times.
 Consult factory for systems using multiple optics and mounting configurations.



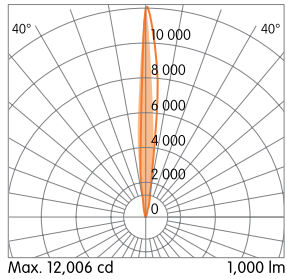
Bold Lighting
 4710 Ecton Dr., Marietta, GA 30066, USA
 info@boldlighting.us www.boldlighting.us
 t: +1-678-903-4061

OPTICAL FLEXIBILITY

VERY NARROW DISTRIBUTION

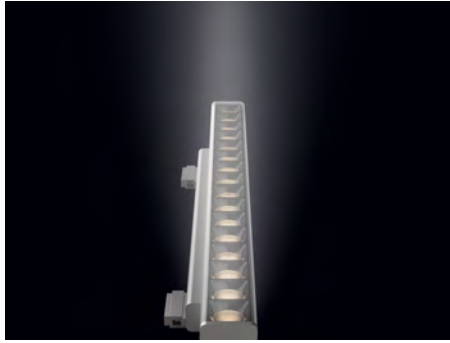


8° Beam Angle

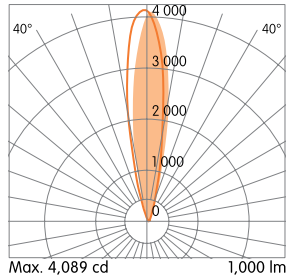


A very narrow 8° beam is ideal for illuminating tall vertical surfaces where an emphasis on texture and drama is desired.

NARROW DISTRIBUTION



15° Beam Angle

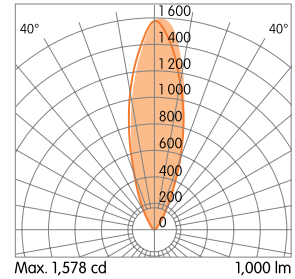


The narrow 15° beam is a versatile distribution used in a wide range of applications and is ideal for high ceilings and illuminating tall vertical surfaces.

FLOOD DISTRIBUTION



34° Beam Angle

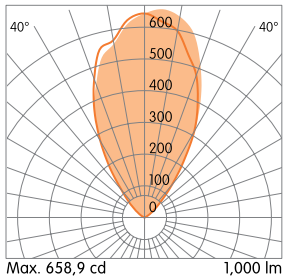


A 34° flood beam is an optimal option for achieving efficient ambient lighting and is a balance between light punch and ambient uniformity.

WIDE BEAM DISTRIBUTION



60° Beam Angle

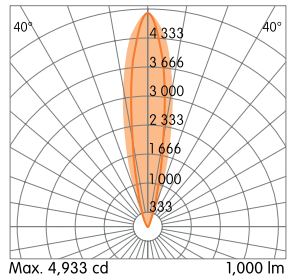


The 60° wide beam is an optimal distribution for general lighting with low glare.

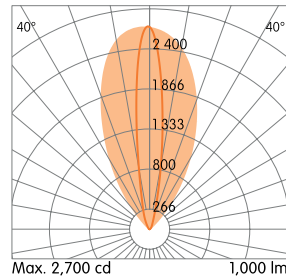
ELLIPTICAL BEAM DISTRIBUTION



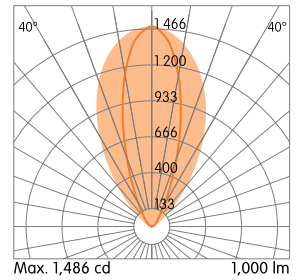
15°x25° Beam Angle



10°x60° Beam Angle



30°x60° Beam Angle

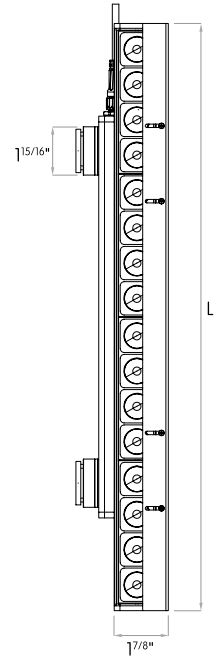
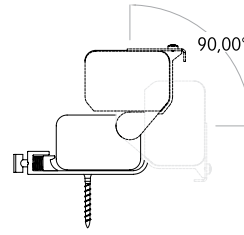
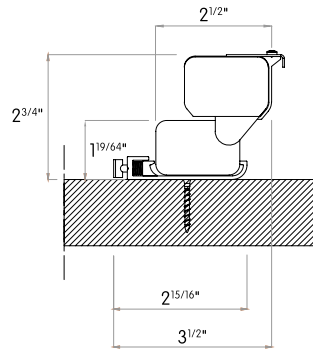


Elliptical distributions can be used anywhere focused illumination is needed and are ideal for lighting multiple textures on vertical surfaces.

* Additional optics available upon request.

MOUNTING FLEXIBILITY

CALIBER WITH SURFACE MOUNTED BRACKETS



L = 12 1/8" | 23 15/16" | 35 3/4" | 47 9/16" |

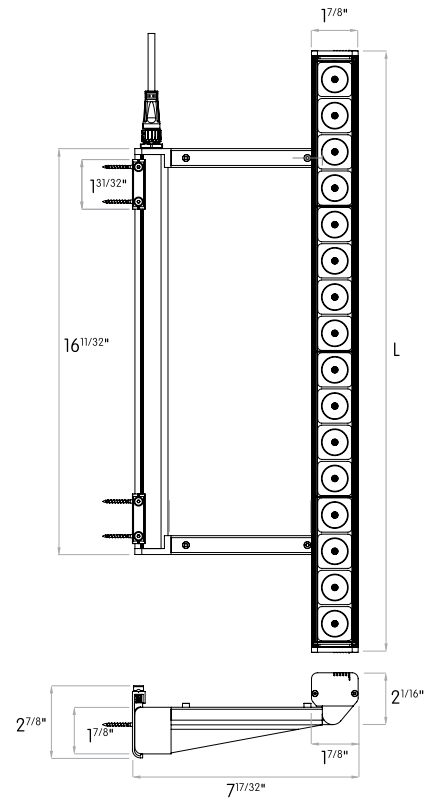
CALIBER WITH CANTILEVER



Cantilever Arms

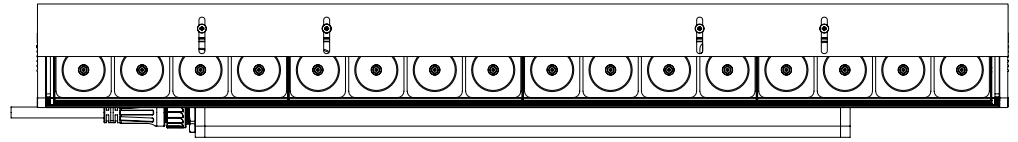
2" | 6" | 12" | 18" | 24"

L = 12 1/8" | 23 15/16" | 35 3/4" | 47 9/16"

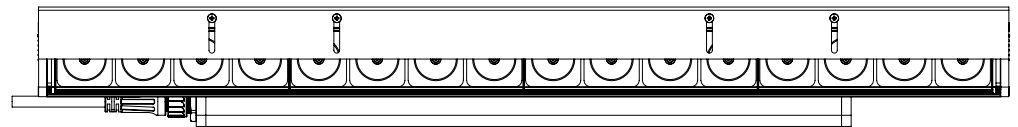
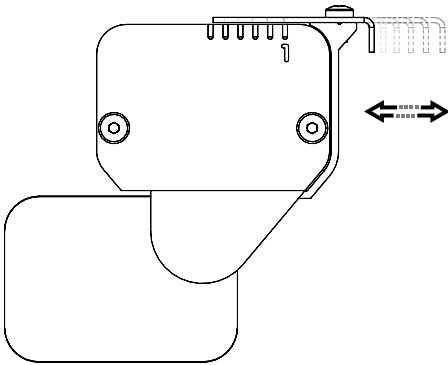


GLARE SHIELD & TILTABILITY

SLIDING GLARE SHIELD

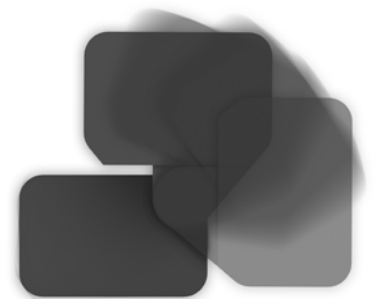
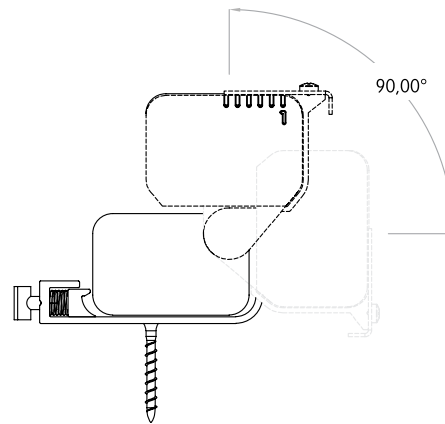
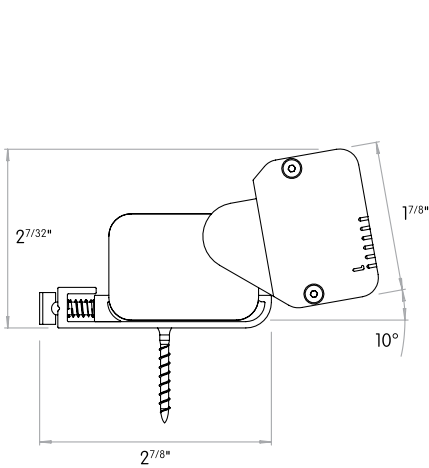


Glare Shield at 25% open position



Glare Shield at maximum closed position

TILT FROM 0 TO 90°



DELIVERED LUMEN OUTPUT

Output		CRI +80				CRI +90			
STATIC-WHITE		2700K	3000K	3500K	4000K	2700K	3000K	3500K	4000K
L	4W	375lm	408lm	435lm	510lm	344lm	374lm	374lm	442lm
M	9W	900lm	979lm	1054lm	1224lm	826lm	898lm	898lm	1061lm
H	15W	1350lm	1469lm	1578lm	1836lm	1238lm	1346lm	1346lm	1591lm
V	22W	1950lm	2122lm	2285lm	2652lm	1789lm	1945lm	1945lm	2298lm
DIM-TO-WARM 3000K-1800K		Not Available in +80 CRI				3000K			
D	9W					816lm			
W	18W					1768lm			
TUNABLE WHITE 2700K-5000K		2700K			5000K	2700K			5000K
U	12W	1428lm			1659lm	1224lm			1428lm
A	22W	2570lm			2992lm	2203lm			2570lm
RGBW						R	G	B	W
TOTAL	22W					(4W) 120lm	(6W) 350lm	(6W) 110lm	(6W) 315lm

DIMENSION TABLE

		12"		24"		36"		48"				
		Height		Width		Actual Length		Actual Length		Actual Length		
Fixture dimensions	mm	inch	mm	inch	mm	inch	mm	inch	mm	inch	mm	inch
		70	2 3/4	47	1 7/8	308	12 1/8	608	23 15/16	908	35 3/4	1208

