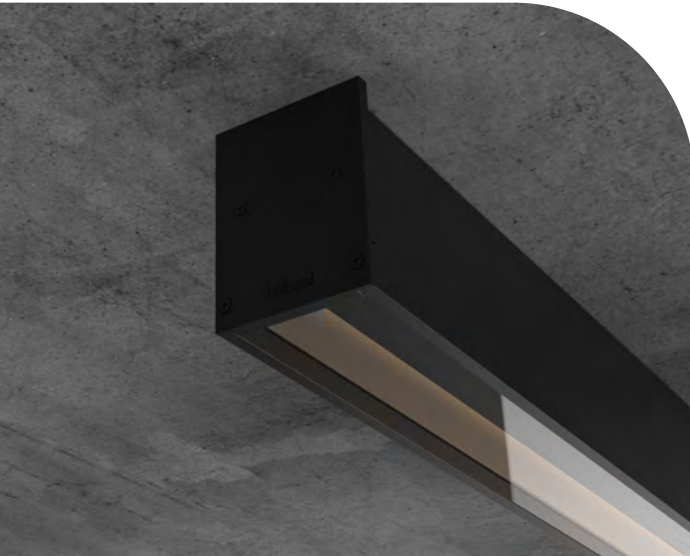


# BILLET

OUTDOOR STEALTH REFLECTOR

**bold**  
lighting



The Billet Stealth product is a natural expansion of the indirect performance optics range developed by Bold to enhance visual comfort. The Stealth offers an outstanding wallwash illumination with virtually zero glare. The outstanding uniformity of the wallwash effect translates in a 3:1 max. to min. illumination ratio. Its 100% indirect light optic ensures a complete shielding of its light source. This proprietary optic allows a vertical illumination starting at the Zero point of the fixture while maintaining a flush position of the optic.

Stealth offers a minimalistic aesthetic with its 1" continuous slot and the ability to have the flush light shield and the interior of the fixture in various finishes and colors to match any required surface. This proprietary optic promotes human-centric lighting with its glare-free attributes and its ability to mix colors perfectly, allowing tunable white and dim to warm applications.

## CONSTRUCTION

**Product Type :** Linear  
**Body Material :** Extruded Aluminum  
**Body Finish :** Black / Grey / White / Custom RAL  
**IP Rating :** IP65 / IP67  
**IK Rating :** IK10

## LIGHT SOURCE

**Direct Light Source :** Mid power LEDs  
**Luminous Output :** from 214lm/ft. to 1063lm/ft. (Delivered)<sup>1</sup>  
**Light Source CCT :** 2700K / 3000K / 3500K / 4000K / Tunable White (2700K-5000K)<sup>3</sup> / Dim-to-Warm (3000K-1800K)<sup>3</sup>  
**Color Rendering Index :** Ra80 / Ra90

## INSTALLATION

**Environment :** Wet Location  
**Mounting :** Ceiling Recessed (Trim & Trimless) / Wall Recessed (Trim & Trimless) / Millwork / Surface Mounted  
**Pendant / Inground**  
**Dimensions :** Refer to dimension table

## ELECTRICAL

**Input Voltage :** UNV 120-277V - 50Hz/60Hz  
**Load :** 4W/ft. to 22W/ft.  
**Output Type :** Constant Current  
**Driver Type :** Integral  
**Dimming :** 0-10V / DALI / ELV / DMX / Lutron Hi-Lume

## OPTICS

**Optical Distribution :** Wallwash

Series	Mounting	Nominal Length	Body Finish
<b>BOK</b>	<b>R</b> Recessed with Trim	<b>12</b> 12"	<b>W</b> White
	<b>T</b> Recessed Trimless	<b>24</b> 24"	<b>B</b> Black
	<b>S</b> Surface Mounted	<b>36</b> 36"	<b>G</b> Grey
	<b>P</b> Pendant	<b>48</b> 48"	<b>X</b> Custom RAL
	<b>M</b> Millwork	<b>60</b> 60"	
	<b>W</b> Wall Mounted	<b>XX</b> Custom in	
	<b>I</b> Inground	<b>LX</b> Elbow	
			For exact lengths refer to dimensions table.

Code example: **BOK** - P12W - L1B - W - W927 - 9

Output <sup>1,2,3</sup>	Voltage	Dimming	Baffle	Distribution	CRI	Color Temp	Emergency
<b>L</b> 214lm/ft (4W)	<b>1</b> 120V	<b>A</b> No Dimming	<b>W</b> White	<b>W</b> Wallwash	<b>9</b> +90	<b>27</b> 2700K	<b>X</b> No
<b>M</b> 481lm/ft (9W)	<b>U</b> 120 - 277V	<b>B</b> 0-10V to 1%	<b>B</b> Black			<b>30</b> 3000K	<b>9</b> 90 mins
<b>H</b> 763lm/ft (15W)		<b>C</b> 0-10V to Fade-off	<b>G</b> Grey			<b>35</b> 3500K	
<b>V</b> 1063lm/ft (22W)		<b>D</b> DALI to 1%	<b>X</b> Custom RAL			<b>40</b> 4000K	
<b>D</b> 166lm/ft (4W)		<b>E<sup>4</sup></b> ELV Dimming				<b>WD<sup>6</sup></b> 3000K-1800K	
<b>W</b> 865lm/ft (22W)		<b>F</b> DMX				<b>TW<sup>7</sup></b> 2700K - 5000K	
<b>U</b> 226lm/ft (4W)		<b>G<sup>5</sup></b> LUTRON					
<b>A</b> 1115lm/ft (22W)							

### Notes:

- <sup>1</sup> Denotes static white (S) output at 3000K, +80CRI.
- <sup>2</sup> Denotes warm dim (W) output at 3000K, +90 CRI.
- <sup>3</sup> Denotes tunable white (T) output at 5000K, +80 CRI.
- <sup>4</sup> Not available with 120-277V UNV voltage.
- <sup>5</sup> Hi-lume 1% EcoSystem Soft-On, Fade-to-Black dimming.
- <sup>6</sup> Not available with +80 CRI.
- <sup>7</sup> Not available with +90 CRI.

Consult factory for lead-times.  
 Consult factory for systems using multiple optics and mounting configurations.



**Bold Lighting**  
 4710 Ecton Dr., Marietta, GA 30066, USA  
 info@boldlighting.us www.boldlighting.us  
 t: +1-678-903-4061

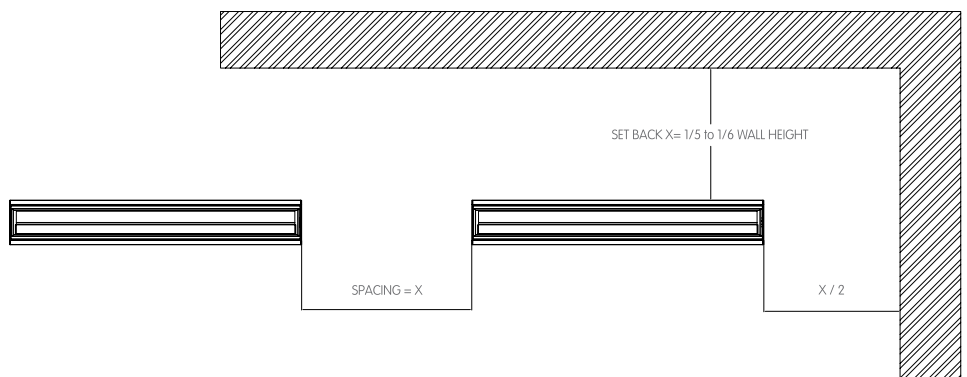
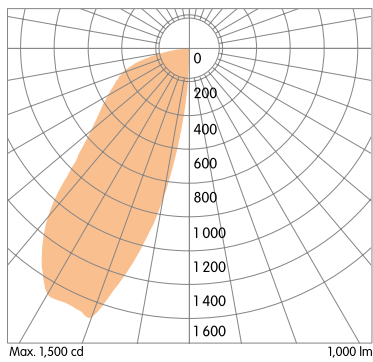
# OPTICAL FLEXIBILITY

## STEALTH WALLWASHER



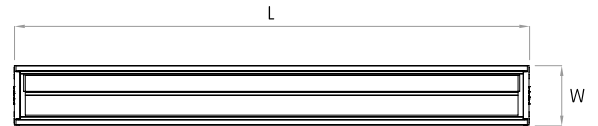
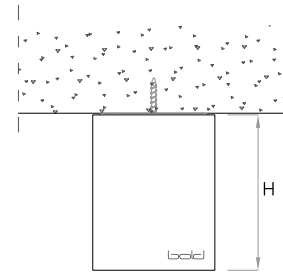
The Stealth Reflector provides even illumination of vertical surfaces with a flexible set back of 1/5 to 1/6 of the wall height and an offset to spacing ratio of 1:1. Stealth's optics are designed to wash large areas where exceptional uniformity and a quiet ceiling is required.

Wallwasher



# MOUNTING FLEXIBILITY

## SURFACE MOUNTED



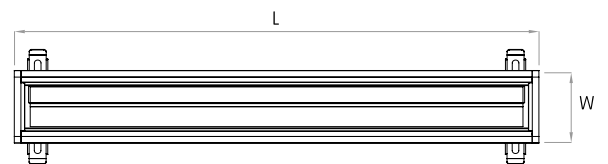
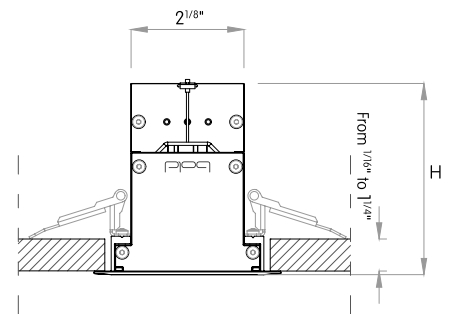
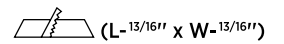
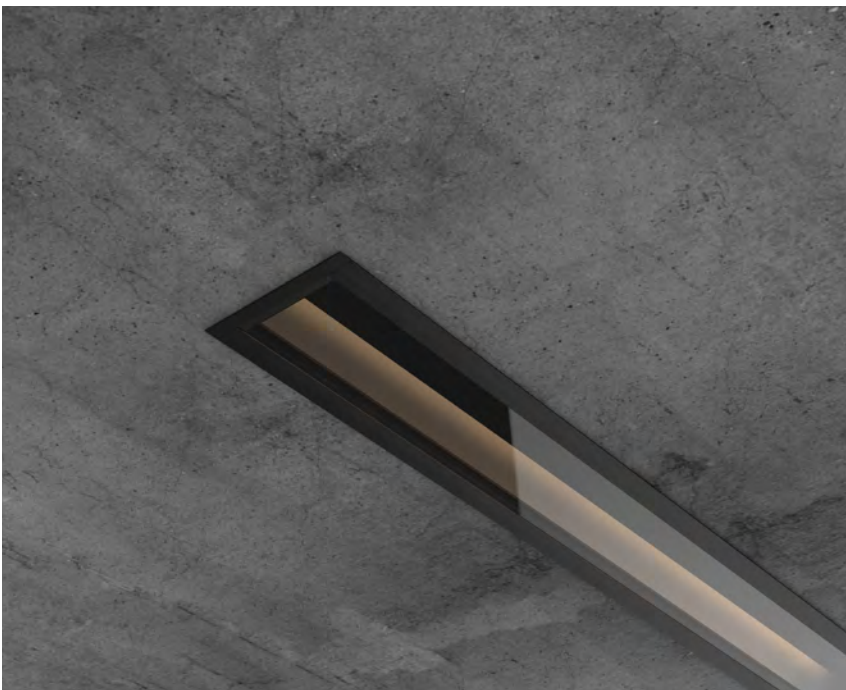
Actual

L= 24<sup>1</sup>/<sub>2</sub>" | 36<sup>5</sup>/<sub>16</sub>" | 48<sup>1</sup>/<sub>8</sub>" | 59<sup>5</sup>/<sub>16</sub>" | Continuous runs

W= 2<sup>13</sup>/<sub>16</sub>"

H= 3<sup>9</sup>/<sub>16</sub>"

## RECESSED WITH TRIM



Actual

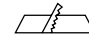
L= 13<sup>3</sup>/<sub>16</sub>" | 25" | 36<sup>13</sup>/<sub>16</sub>" | 48<sup>5</sup>/<sub>8</sub>" | 60<sup>7</sup>/<sub>16</sub>" | Continuous runs

W= 3<sup>7</sup>/<sub>16</sub>"

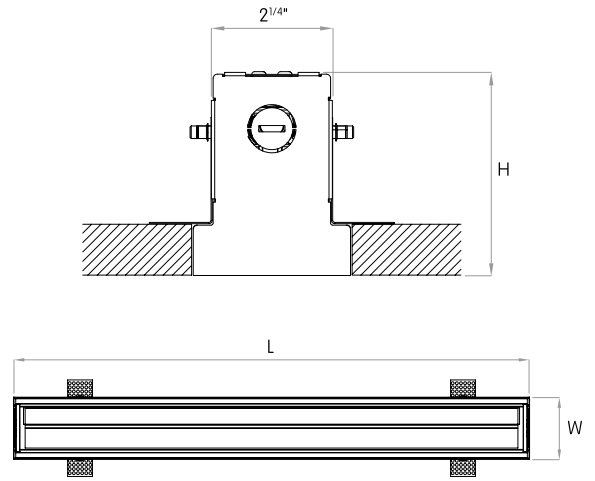
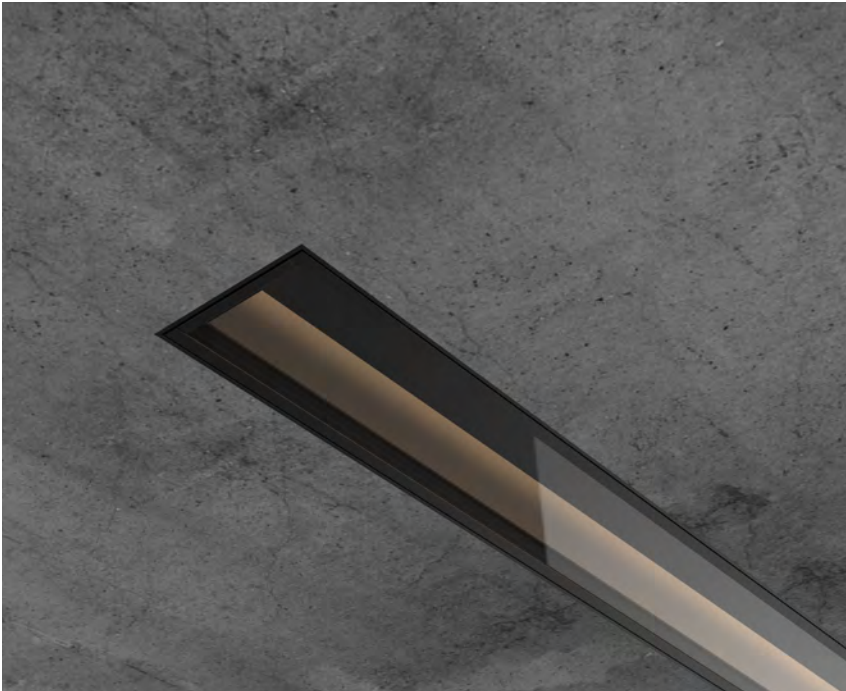
H= 3<sup>9</sup>/<sub>16</sub>"



**MOUNTING FLEXIBILITY**

  $(L+1/16'' \times W+1/16'')$

**RECESSED TRIMLESS**



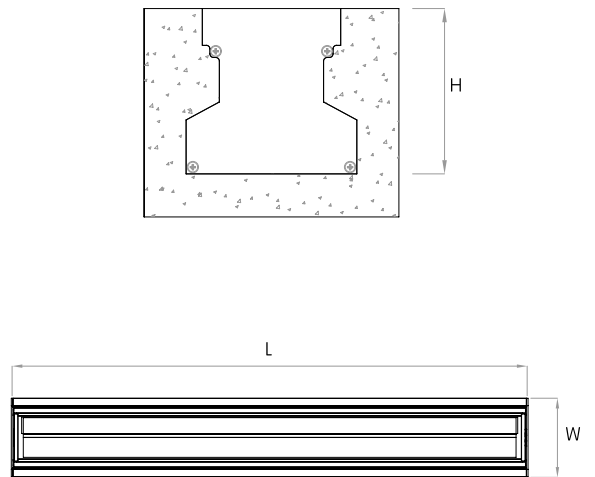
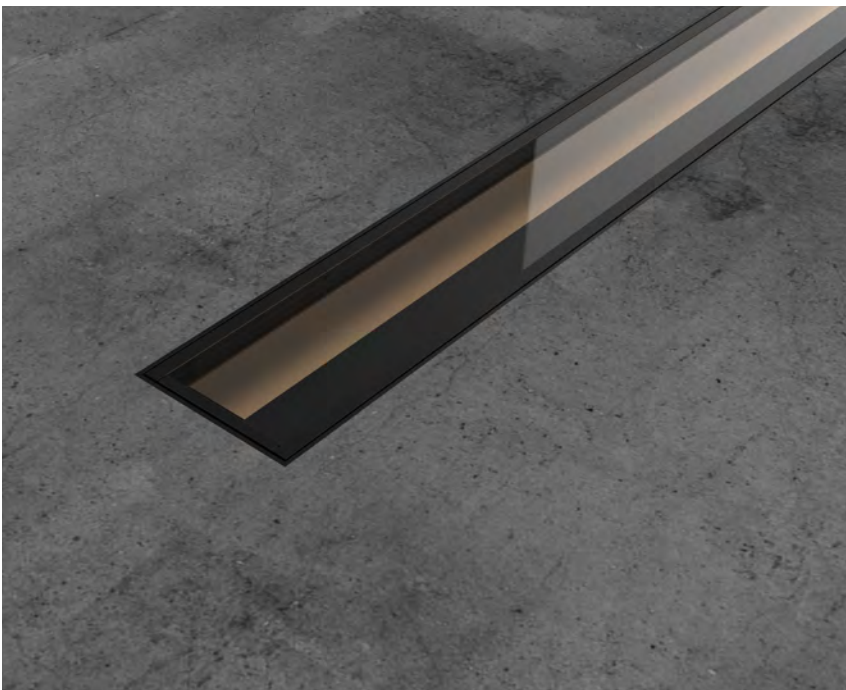
Actual

L= 24<sup>5/8</sup>" | 36<sup>3/8</sup>" | 48<sup>1/4</sup>" | 60" | Continuous runs

W= 2<sup>15/16</sup>"

H= 3<sup>1/16</sup>"

**INGROUND**



Actual

L= 12<sup>13/16</sup>" | 24<sup>5/8</sup>" | 36<sup>7/16</sup>" | 48<sup>1/4</sup>" | 60" | Continuous runs

W1= 3" | W2= 3<sup>3/4</sup>"

H= 3<sup>5/8</sup>"

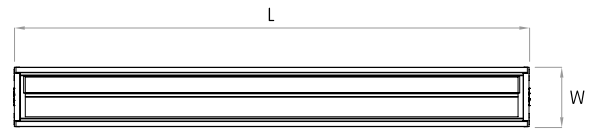
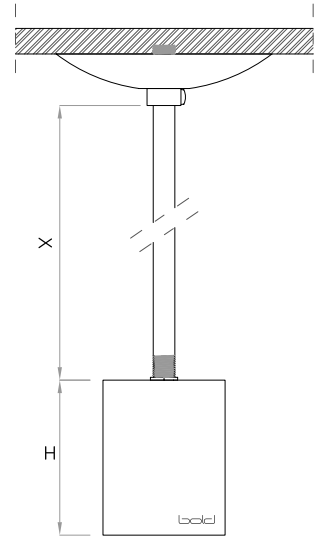


# MOUNTING FLEXIBILITY

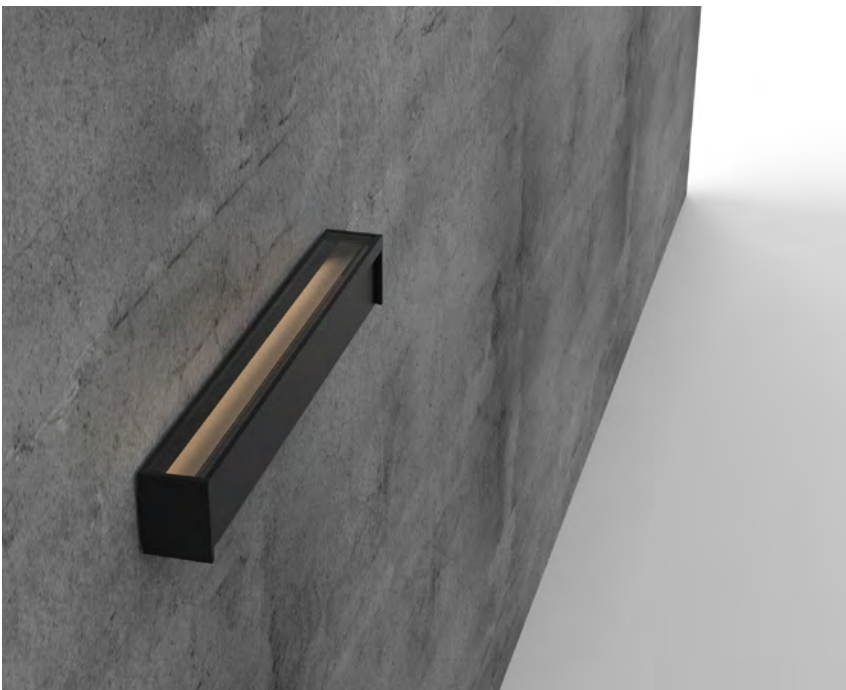
## PENDANT



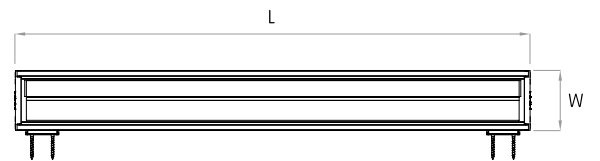
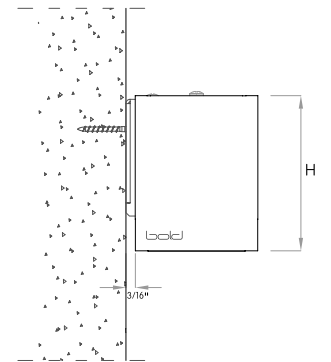
Actual  
L= 24<sup>1</sup>/<sub>2</sub>" | 36<sup>5</sup>/<sub>16</sub>"  
| 48<sup>1</sup>/<sub>8</sub>" | 59<sup>15</sup>/<sub>16</sub>" |  
Continuous runs  
W= 2<sup>13</sup>/<sub>16</sub>"  
H= 3<sup>9</sup>/<sub>16</sub>"  
X= 59"



## WALL MOUNTED



Actual  
L= 24<sup>1</sup>/<sub>2</sub>" | 36<sup>5</sup>/<sub>16</sub>" | 48<sup>1</sup>/<sub>8</sub>" | 59<sup>15</sup>/<sub>16</sub>" | Continuous runs  
W= 2<sup>13</sup>/<sub>16</sub>"  
H= 3<sup>9</sup>/<sub>16</sub>"



## DELIVERED LUMEN OUTPUT

Per Linear Foot

### Output Watts CRI +90

STATIC-WHITE		2700K	3000K	3500K	4000K
L	4W	168lm	174lm	178lm	188m
M	9W	378lm	392lm	400lm	424lm
H	15W	599lm	621lm	632lm	673lm
V	22W	832lm	865lm	878lm	937lm

DIM-TO-WARM 3000K-1800K		3000K
D	9W	460lm
W	18W	865lm

TUNABLE WHITE 2700K-5000K		2700K	5000K
U	12W	474lm	520lm
A	22W	832lm	917lm

## DIMENSIONS TABLE

		12"		24"		36"		48"		60"				
Height		Width		Actual Length		Actual Length		Actual Length		Actual Length				
	mm	inch	mm	inch	mm	inch	mm	inch	mm	inch	mm	inch		
Surface Mounted	91	3 9/16	72	2 13/16			623	24 1/2	923	36 5/16	1223	48 1/8	1523	59 15/16
Recessed with Trim	91	3 9/16	88	3 7/16	335	13 3/16	635	25	935	36 13/16	1235	48 5/8	1535	60 7/16
Recessed Trimless	93	3 11/16	75	2 15/16			625	24 5/8	925	36 3/8	1225	48 1/4	1525	60
Pendant	91	3 9/16	72	2 13/16			623	24 1/2	923	36 5/16	1223	48 1/8	1523	59 15/16
Inground (with housing)	92	3 5/8	95	3 3/4	325	12 13/16	625	24 5/8	925	36 7/16	1225	48 1/4	1525	60
Wall Mounted	91	3 9/16	72	2 13/16			623	24 1/2	923	36 5/16	1223	48 1/8	1523	59 15/16

