

INSTALLATION MANUAL SURFACE MOUNTED

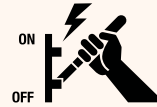
INDEX

- A:** SINGLE UNIT INSTALLATION (OPTIONS 1&2)
- B:** CONTINUOUS INSTALLATION
- C:** CORNER INSTALLATION
- D:** WIRING DETAILS



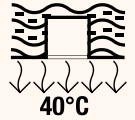
WARNING:

The safety and warranty of this fixture is guaranteed only if installed in compliance with below instruction manual.



MAKE SURE THE POWER IS OFF DURING INSTALLATION

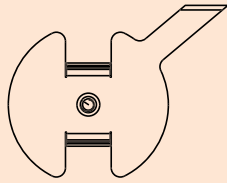
IP20



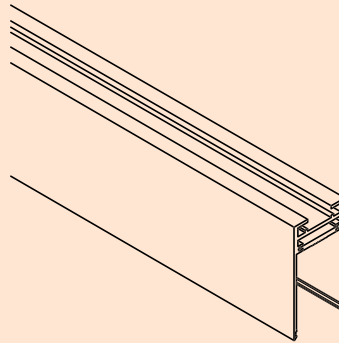
THE LOW SURFACE TEMPERATURE (40°C) IMPOSE NO LIMITS ON INSTALLATION

A. SINGLE UNIT INSTALLATION (OPTION 1)

Provided Components



Bracket
(Qty as per profile length)



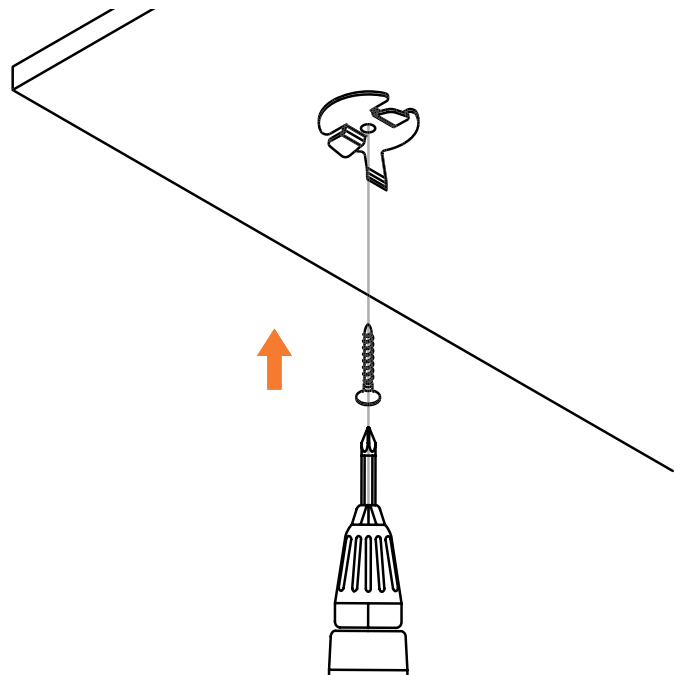
Specter profile-(x1)

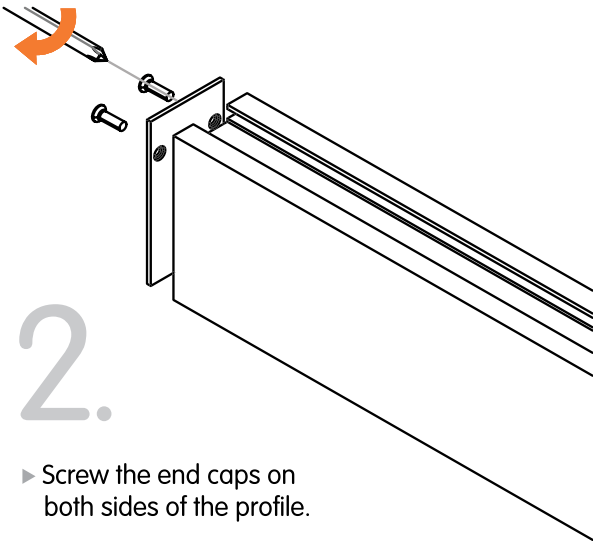


End Cap-(x2)

1.


- ▶ Fasten the bracket in place with the screws compatible with your mounting surface as per factory shop drawings.




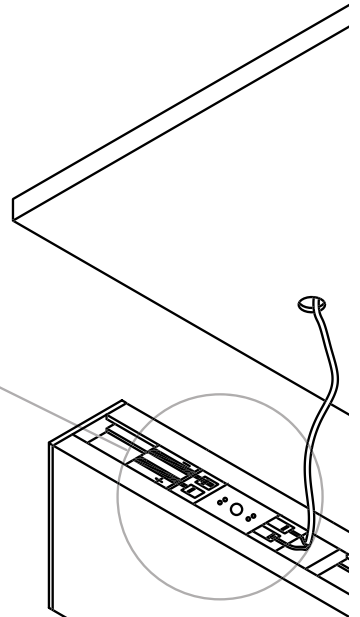


2.

► Screw the end caps on both sides of the profile.

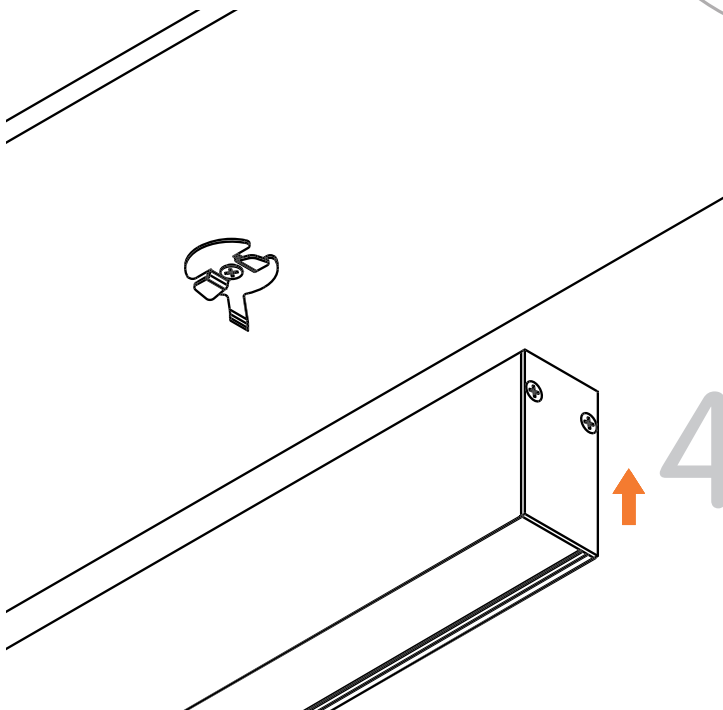
 **WARNING:** Shock hazard. Serious injury or death may occur. Turn Off power before servicing or installing. Wire according to local and national codes. This product shall be installed by a qualified electrician.


ON
OFF




3.

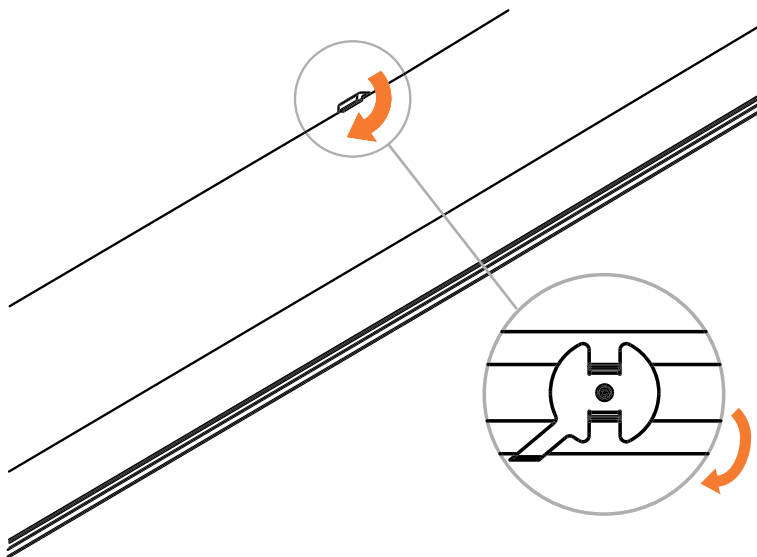
► Connect low voltage cables to the track feeder connectors.



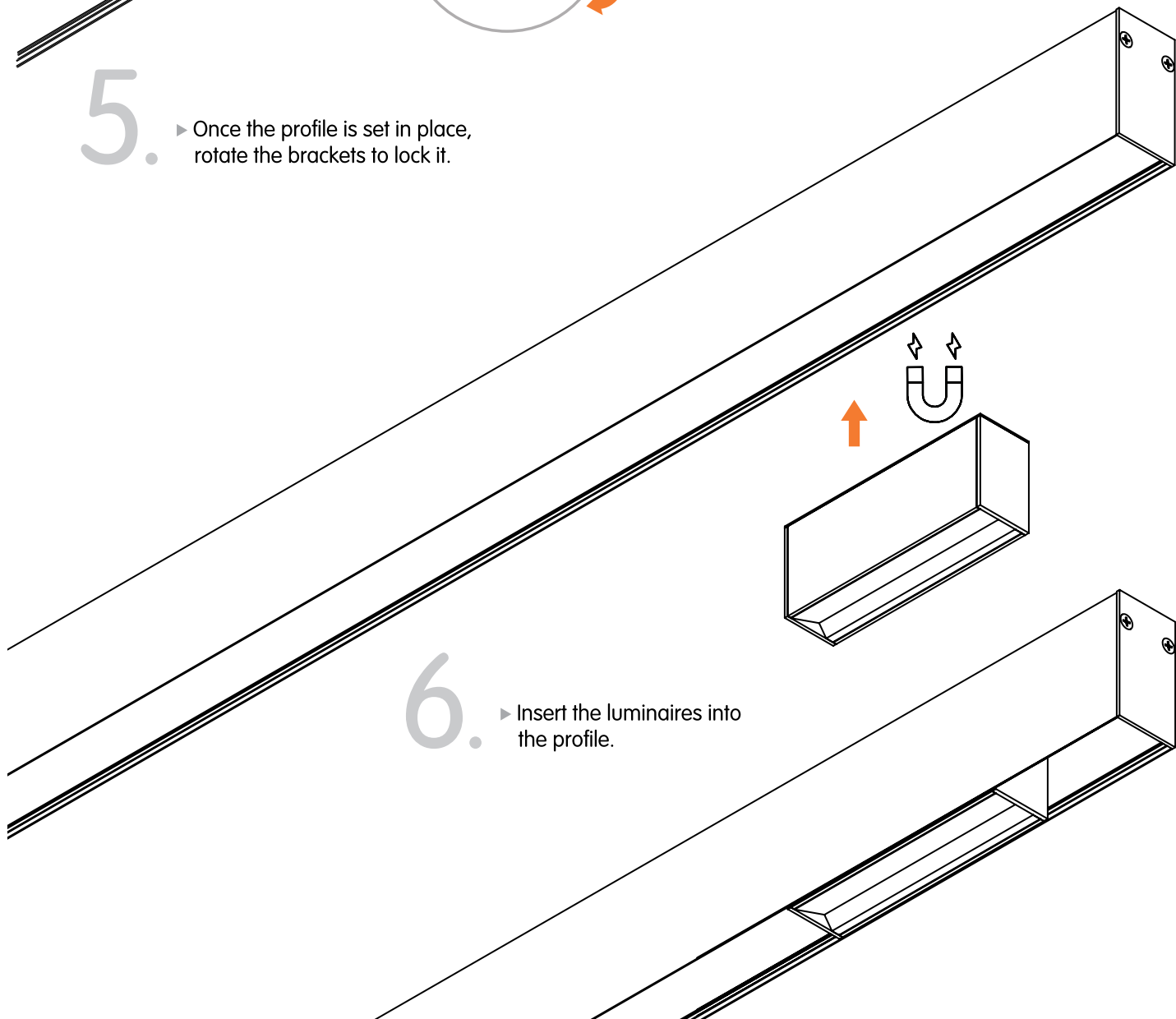
4.

► Lift up the profile onto bracket.

 **WARNING:** Failure to secure safety cables can lead to injury or death!



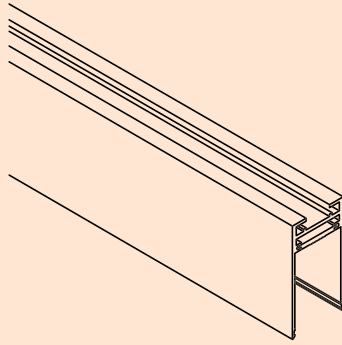
5. ▶ Once the profile is set in place, rotate the brackets to lock it.



6. ▶ Insert the luminaires into the profile.

A. SINGLE UNIT INSTALLATION (OPTION 2)

Provided Components

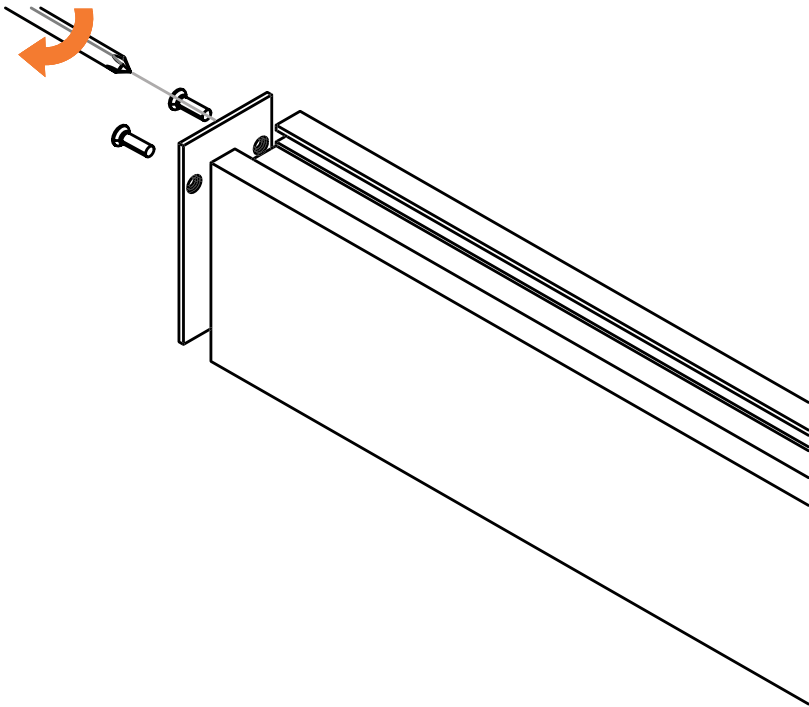


Specter profile-(x1)

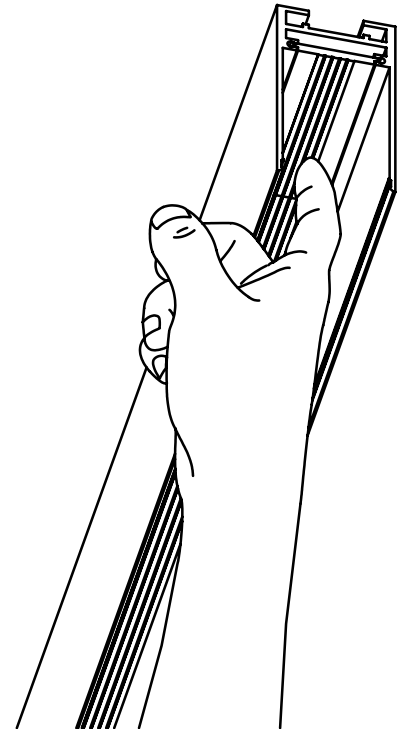


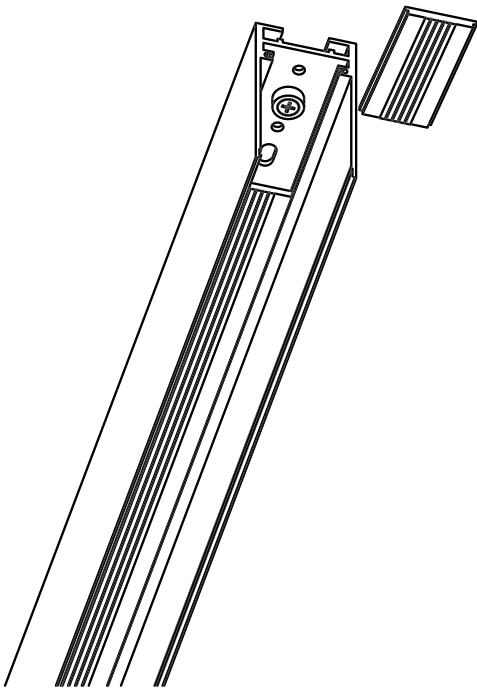
End Cap-(x2)

1. ▶ Screw the end caps in both sides of the profile.

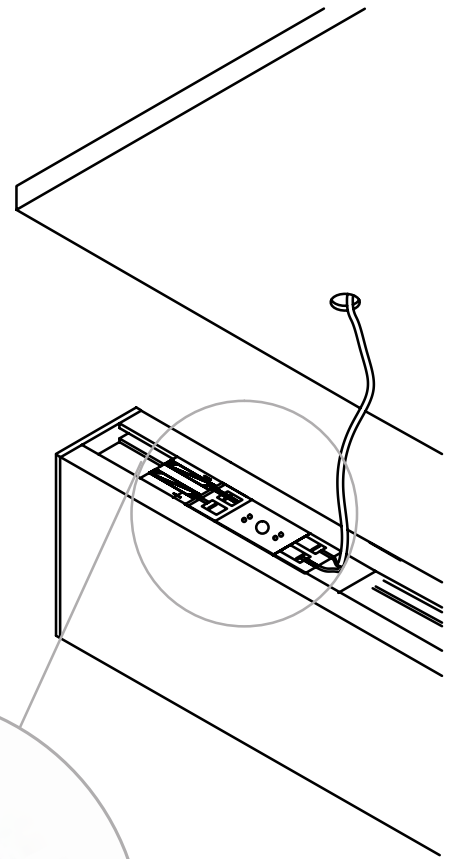


2. ▶ Press the side of decorative plates to remove from profile.

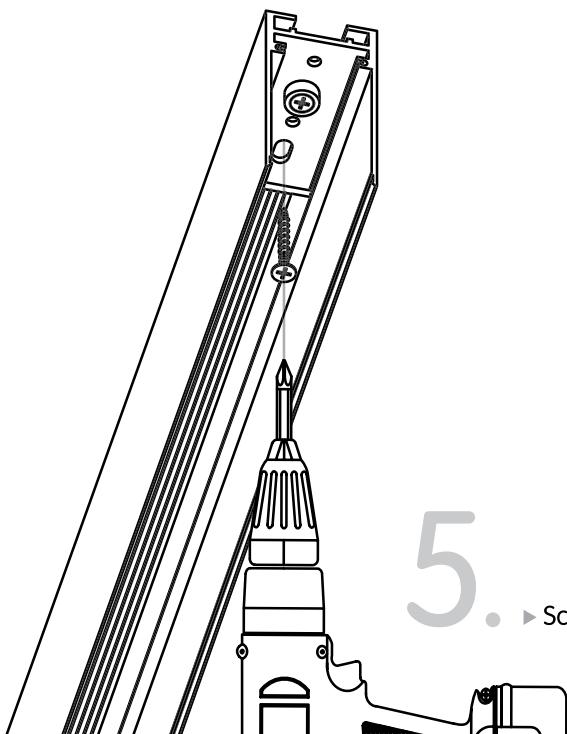




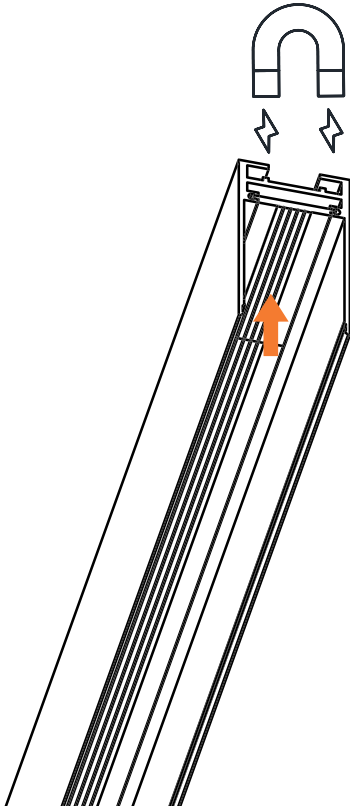
3. ▶ Remove the decorative plates.



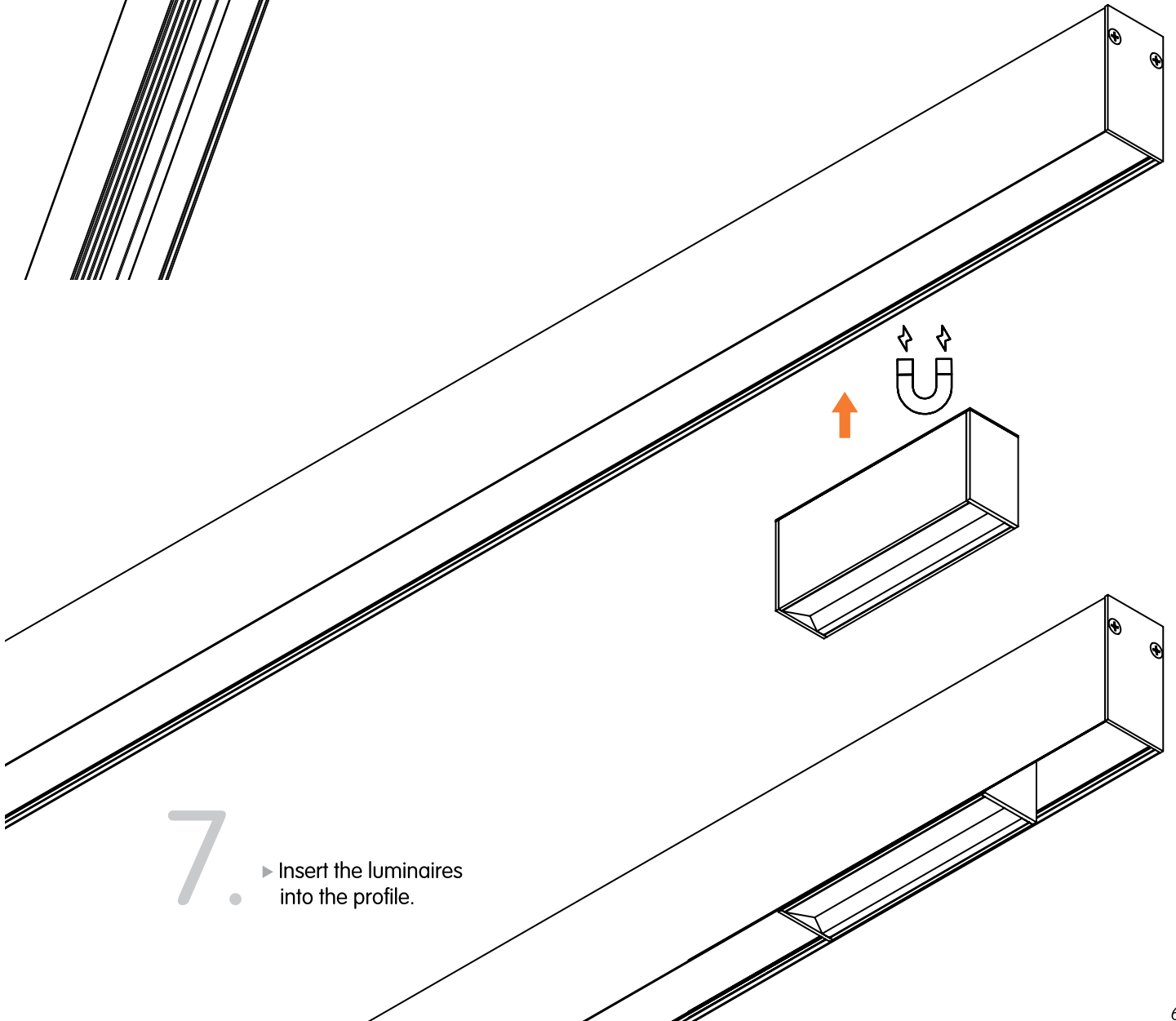
4. ▶ Connect low voltage cables to the track feeder connectors.



5. ▶ Screw the profile in place.



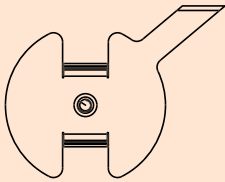
6. ▶ Clip back the decorative plates in place.



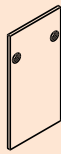
7. ▶ Insert the luminaires into the profile.

B. CONTINUOUS RUN INSTALLATION

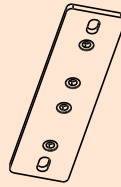
Provided Components



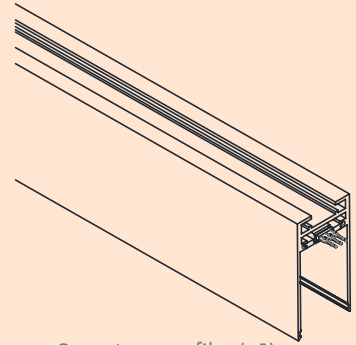
Bracket



End Cap-(x2)



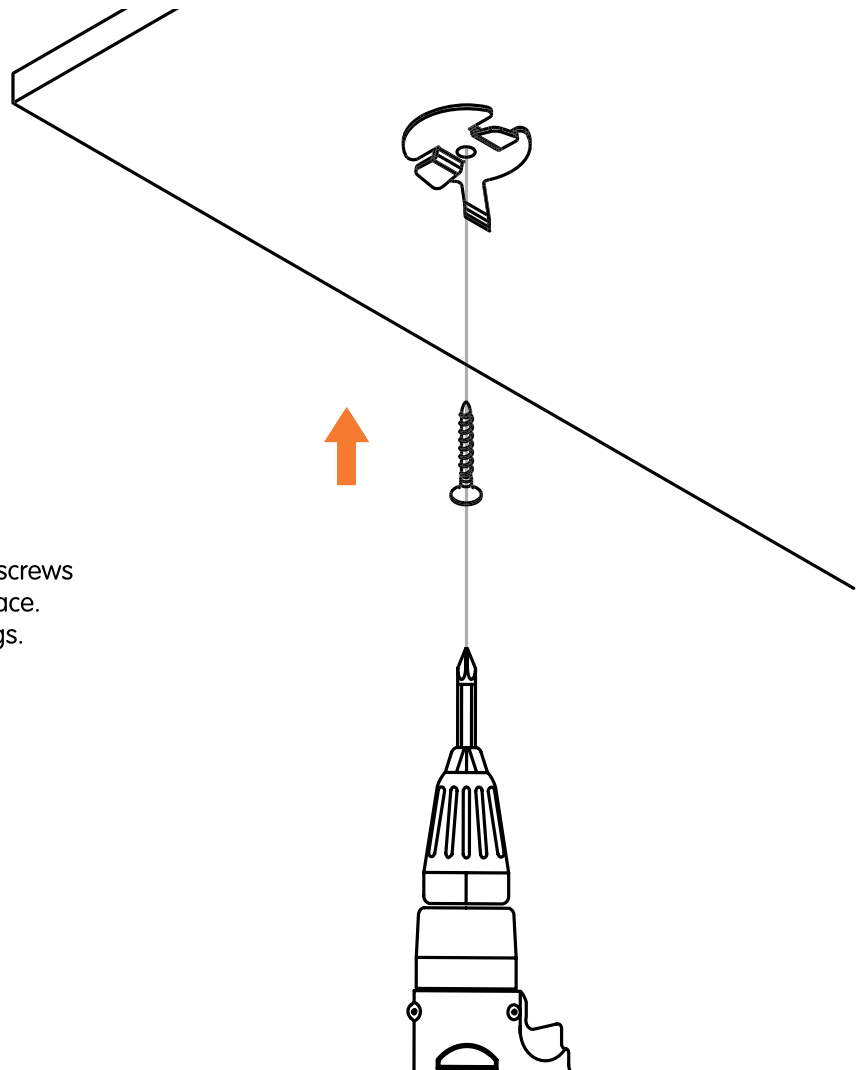
Alignment bracket-(x2)



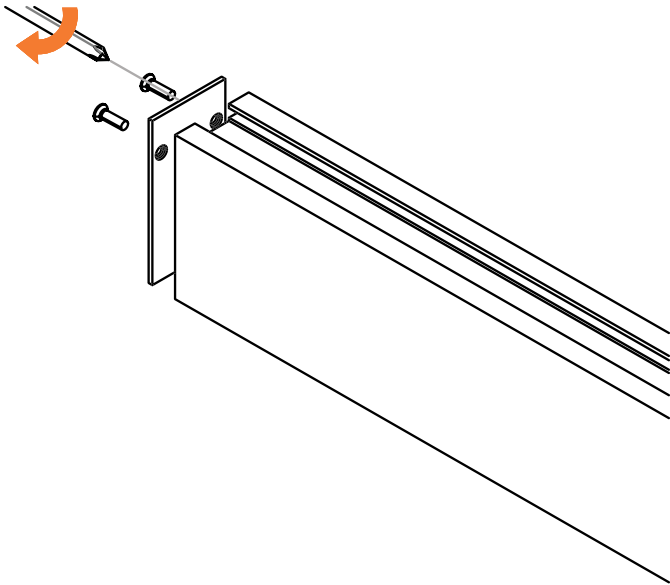
Specter profile-(x1)

1.

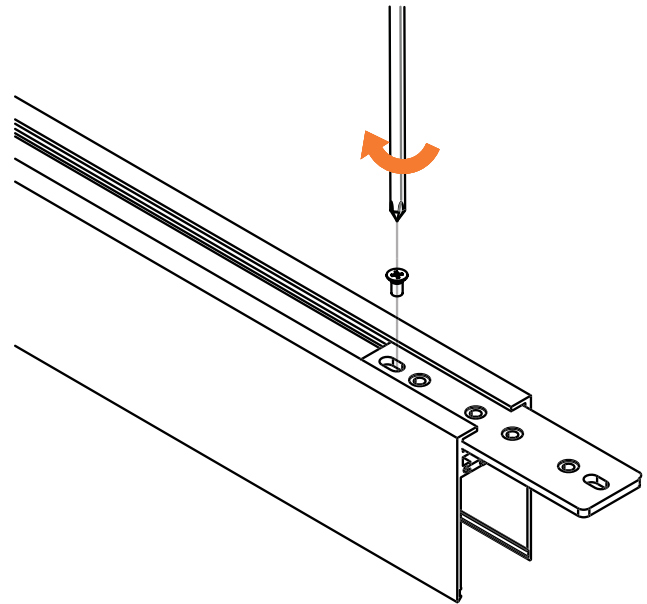
- ▶ Fasten brackets in place using screws compatible with mounting surface. Install per factory shop drawings.



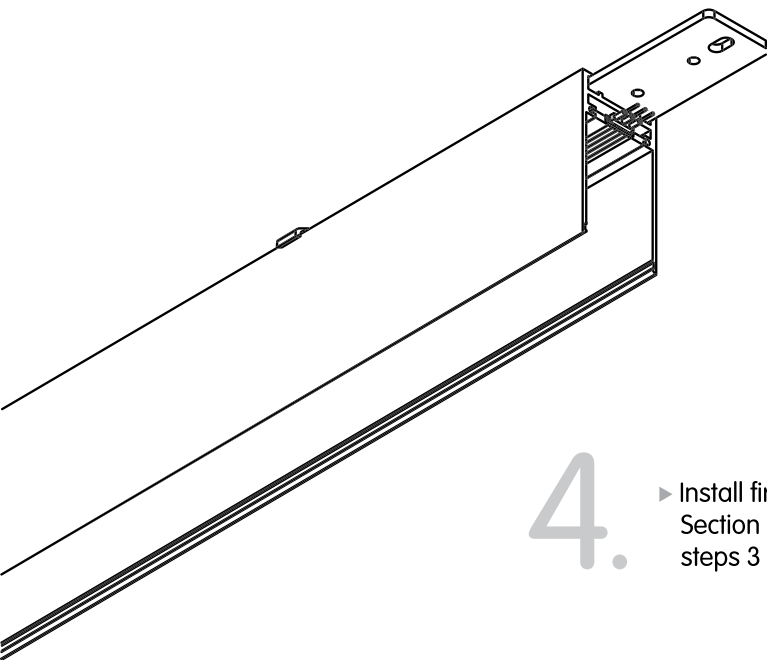
2. ▶ Screw the end cap to both sides of the continuous profile run.

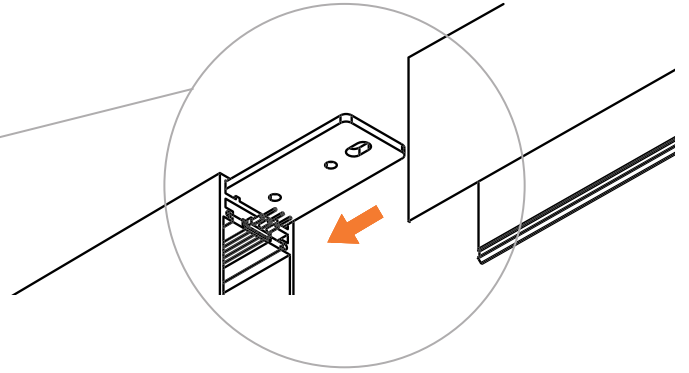


3. ▶ Install alignment brackets at the ends of all profiles using provided screws.



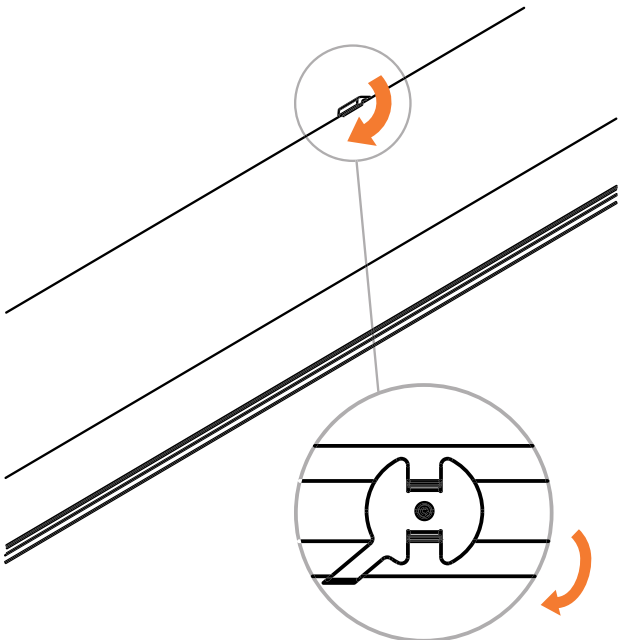
4. ▶ Install first section of profile according to Section A - Option 1 (single unit installation, steps 3 & 4).





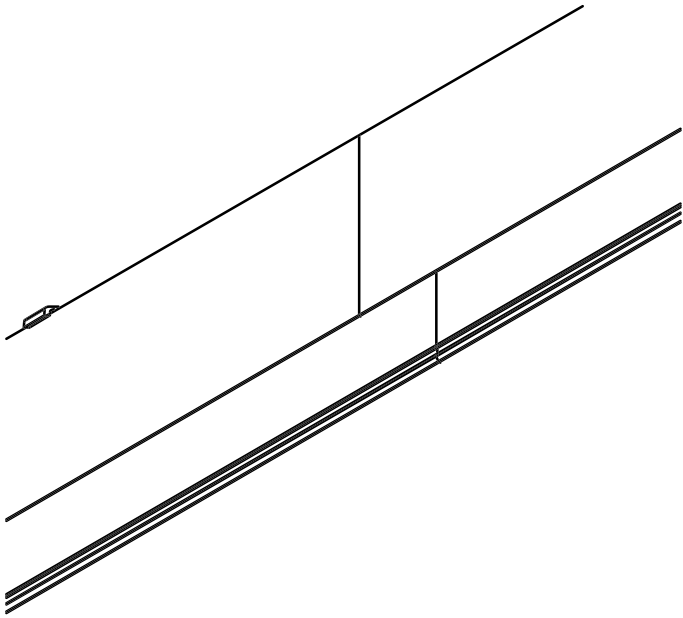
5.

- ▶ Slide the middle of run profile into the alignment bracket and the connecting pins of the previous profile section.
- ▶ Note : Please refer to the factory shop drawings for the through wiring details.



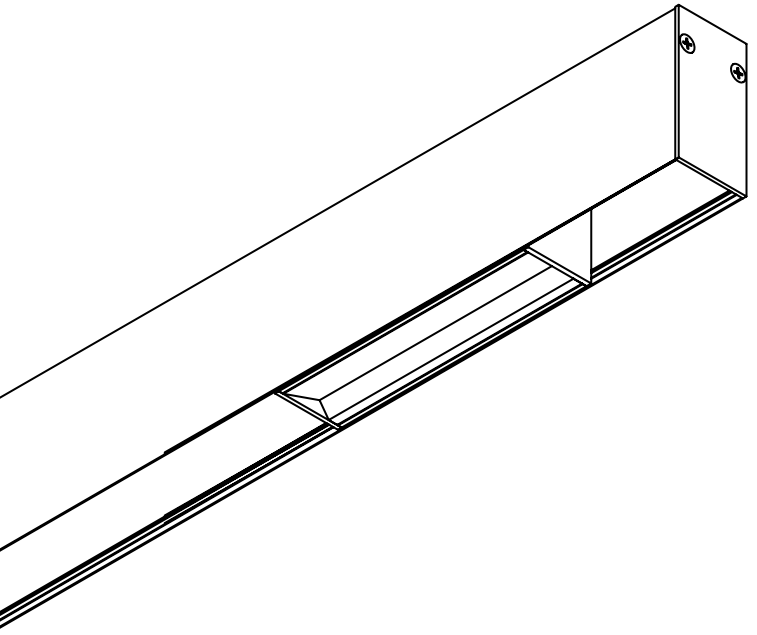
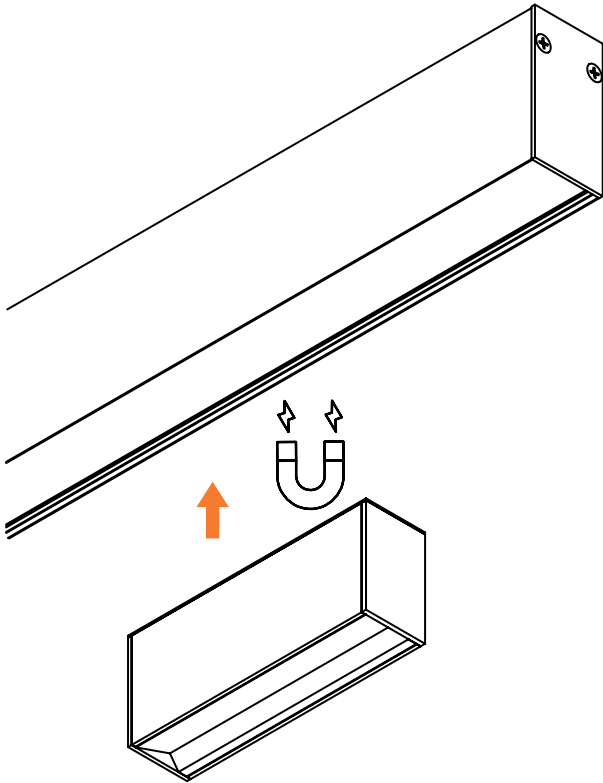
6.

- ▶ Once the middle of run profile is set in place, rotate the brackets to lock it.



7.

► Repeat previous steps to finish installing continuous run.



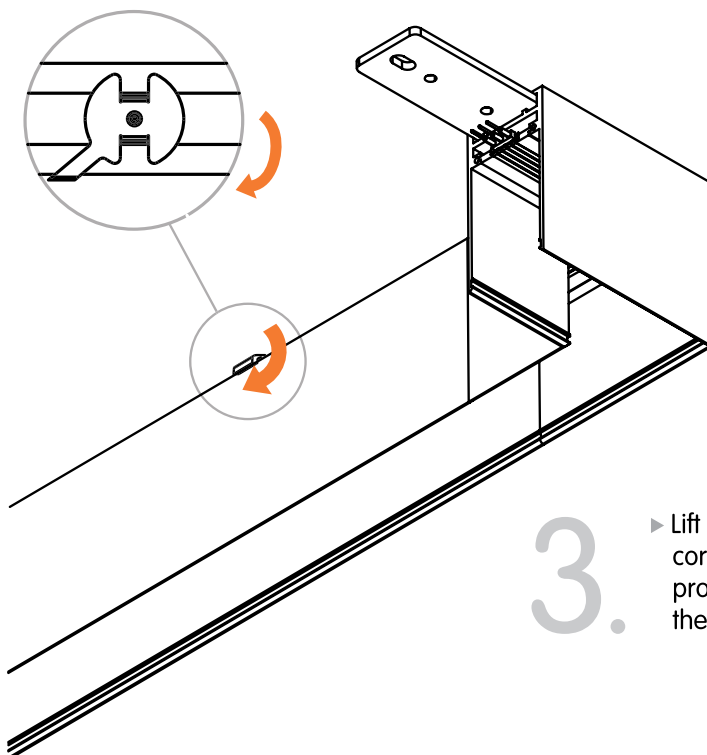
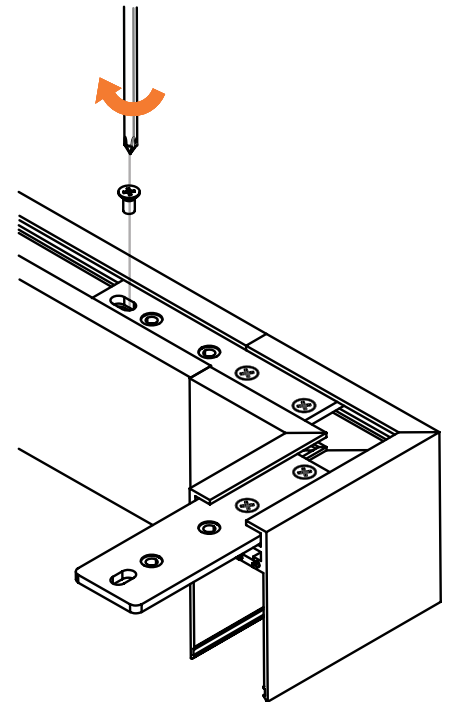
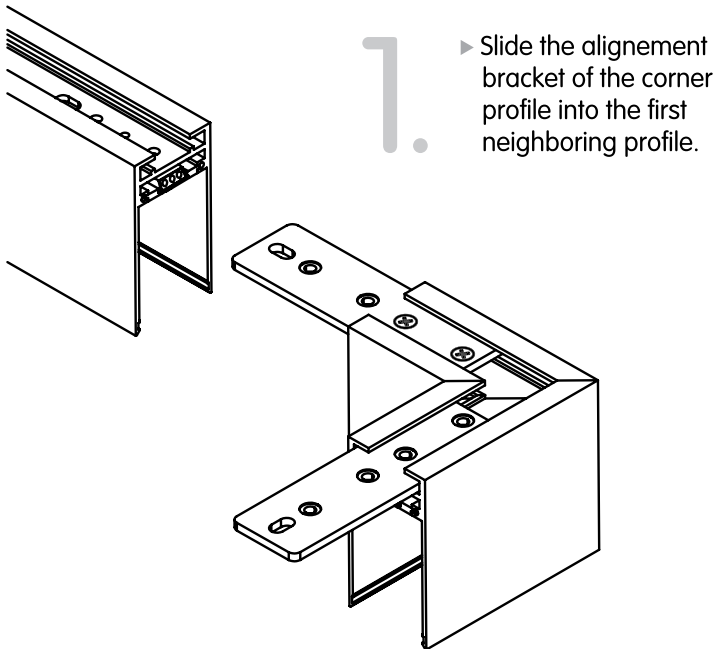
8.

► Insert the luminaires into the profile.



WARNING: Do not exceed the rated wattage of the through wiring cables or the connectors.
For all continuous runs, refer to factory shop drawing indicating exact dimensions and feed locations.

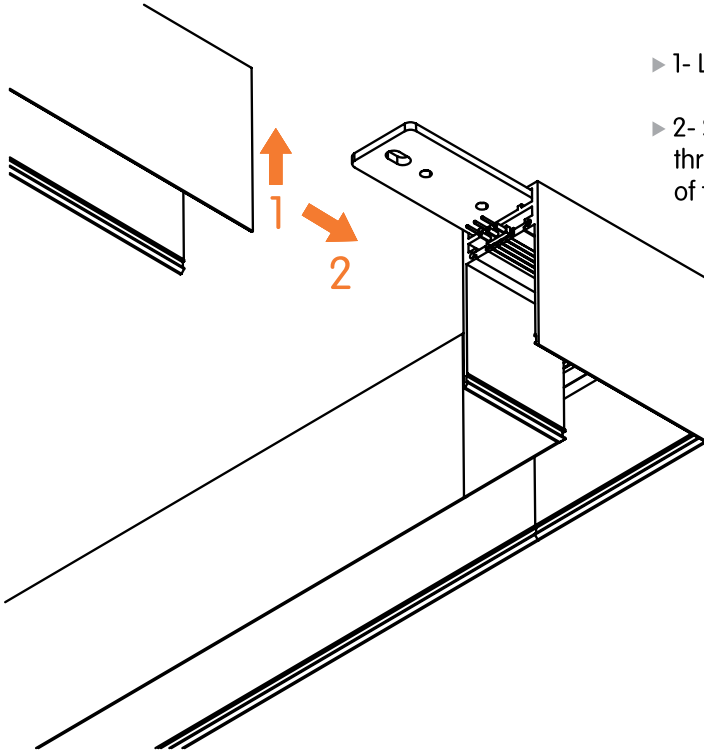
C. CORNER CONNECTION



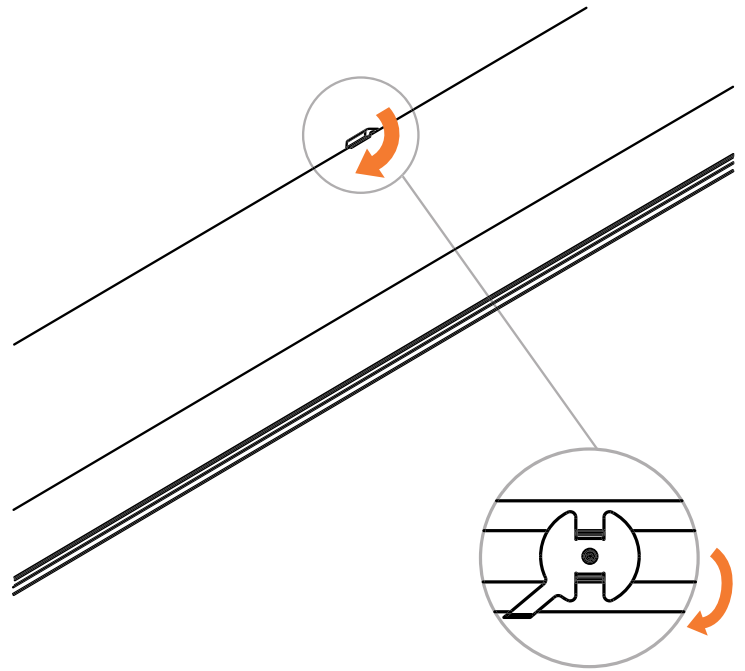
2. ▶ Screw the alignment bracket in the first neighboring profile.

3. ▶ Lift up the profile with the corner assembly. Once the profile is set in place, rotate the brackets to lock it.

4.

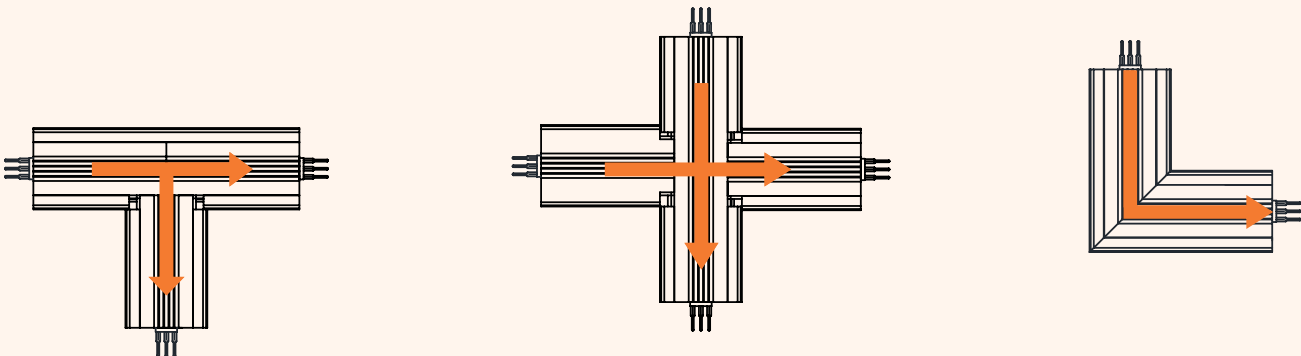


- ▶ 1- Lift the neighboring profile.
- ▶ 2- Slide the neighboring profile through the alignment bracket of the corner assembly.



- # 5.
- ▶ Once the neighboring profile is set in place, rotate the brackets to lock it.

ELECTRICAL CONTINUITY



D. WIRING DETAILS

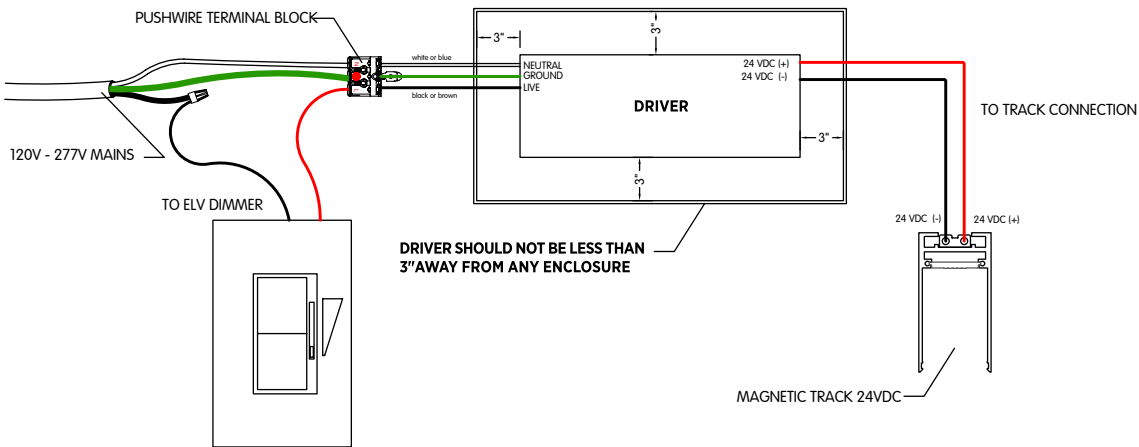
MAXIMUM RECOMMENDED DISTANCE FROM FIRST FEED TO REMOTE DRIVER
(Track length considered 20ft)

MAXIMUM RECOMMENDED LOAD RELATIVE TO LENGTH OF TRACK
(Driver considered at 15ft from first feed)

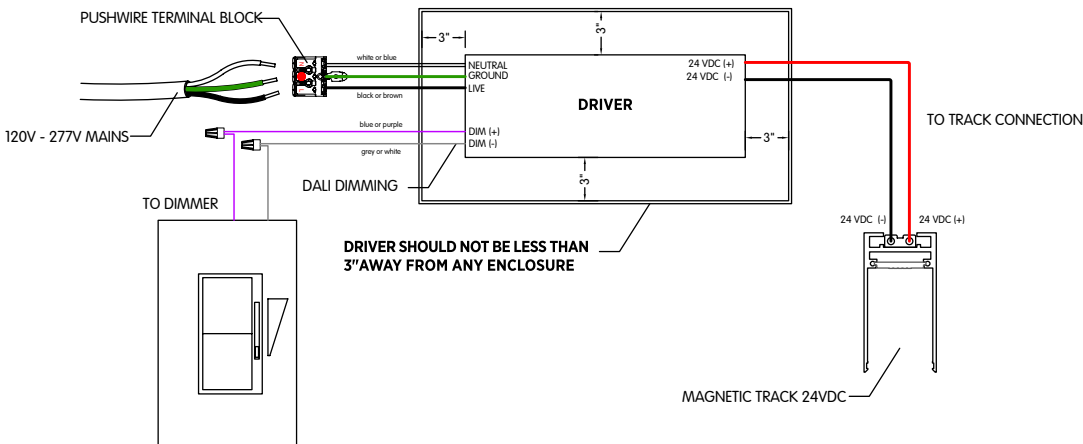
Wire Gauge	Wattage	Maximum Lead Length
16 AWG (1.0 mm²)	60 W	100 ft (30.4 m)
	120 W	70 ft (21.3 m)
	150 W	50 ft (16.4 m)
	200 W	35 ft (10.7 m)
	300 W	15 ft (4.7 m)

Length of Track	Max. Load in W
165 ft (50 m)	100 W
130 ft (40 m)	120 W
100 ft (30.4 m)	150 W
70 ft (21.3 m)	200 W
35ft (10.7 m)	300 W
15 ft (4.7 m)	400 W

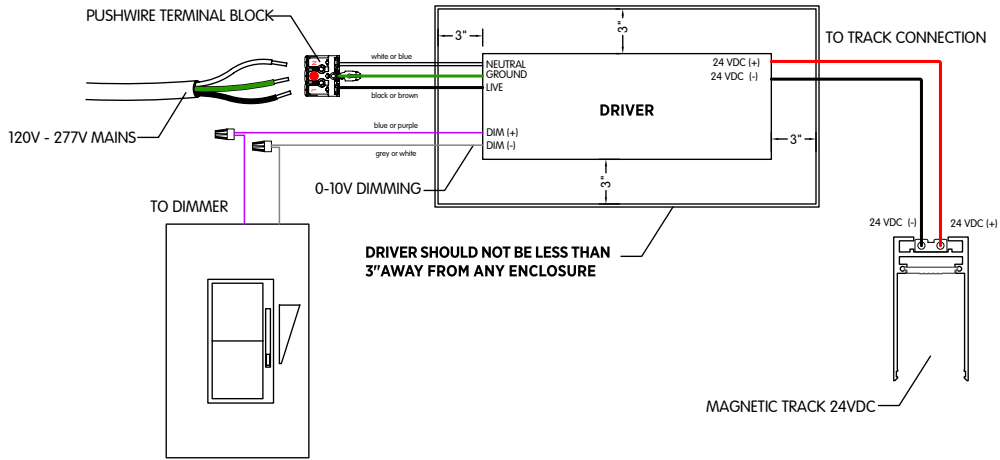
ELV DIMMING WIRING DIAGRAM



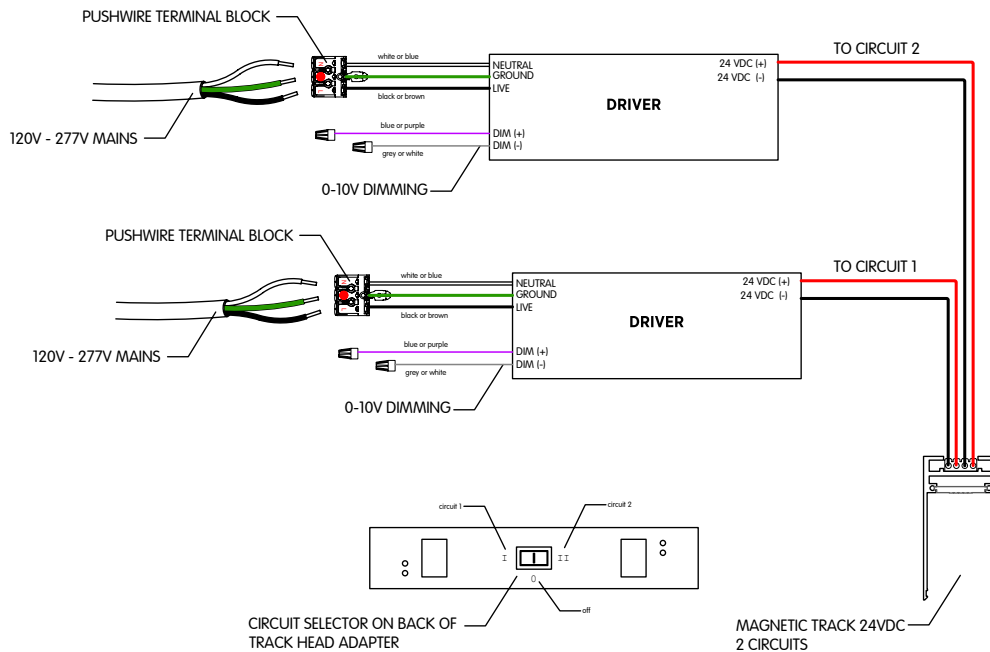
DALI DIMMING WIRING DIAGRAM



0-10V DIMMING WIRING DIAGRAM



2 CIRCUIT TRACK WIRING DIAGRAM



Failure to follow the wiring color coding and connectors pin labeling will void the fixtures warranty.